



US00D448333B1

(12) **United States Design Patent**
Stenzel

(10) **Patent No.:** **US D448,333 S**

(45) **Date of Patent:** **** Sep. 25, 2001**

(54) **MIRROR MOUNTING ASSEMBLY**

(75) Inventor: **Alexander Stenzel**, Columbia, SC (US)

(73) Assignee: **Lang-Mekra North America, LLC**,
Ridgeway, SC (US)

(**) Term: **14 Years**

(21) Appl. No.: **29/110,450**

(22) Filed: **Sep. 7, 1999**

(51) **LOC (7) Cl.** **12-16**

(52) **U.S. Cl.** **D12/187**

(58) **Field of Search** D12/187-189;
359/842, 844, 871-876, 838, 848, 850,
855, 857, 859, 864, 867, 879, 880

(56) **References Cited**

U.S. PATENT DOCUMENTS

D. 315,710	3/1991	Ropolo .	
D. 353,795	12/1994	Ayala .	
D. 385,243	10/1997	Lang .	
D. 387,317	12/1997	Lang .	
D. 397,072	8/1998	Hellhake et al. .	
D. 407,361	3/1999	Lang .	
D. 409,127	5/1999	Kim et al. .	
D. 424,001	5/2000	Englander	D12/187
D. 425,841 *	5/2000	Turner	D12/187
D. 426,182 *	6/2000	Brown	D12/187
D. 427,127 *	6/2000	Horowitz	D12/187
D. 431,508 *	10/2000	Matsumoto et al.	D12/187
2,458,117	1/1949	Tolbert .	
3,107,077	10/1963	Lassa .	
3,119,591	1/1964	Malecki .	
3,170,985	2/1965	Katulich .	
3,189,309	6/1965	Hager .	
3,339,876	9/1967	Kampa .	

(List continued on next page.)

FOREIGN PATENT DOCUMENTS

3614927A1 11/1987 (DE) .

OTHER PUBLICATIONS

Mekra Brochure, Mekra Rangau Plastics GmbH & I C. KG, pp. 1-3 and 15-57, Dec. 1995.

Brochure: "Increase Blindsight Vision. Improve Safety and Savings!," MOTOR MIRROR INCORPORATED, Arlington, Texas, 1990.

Brochure: "Expand Your Vision Without Looking for Trouble!," MOTOR MIRROR INCORPORATED, Arlington, Texas, 1990.

Brochure: "Fleet Products", VELVAC, INC., 1995.

Brochure: "The Tracker Remote Control Mirror", Cham-Cal Engineering Co., prior to Oct. 1997.

Brochure: "Take A Look At The Pro View Motorized Mirrors from Retrac Mirrors", Retrac Mirrors, prior to Oct. 1997.

Primary Examiner—Louis S. Zarfes

(74) *Attorney, Agent, or Firm*—Dority & Manning, P.A.

(57) **CLAIM**

The ornamental design for mirror mounting assembly, as shown and described.

DESCRIPTION

FIG. 1 is a perspective view of a mirror mounting assembly according to the present design, showing the design mounted on one possible mirror support bar and supporting one possible mirror housing, both in dotted lines;

FIG. 2 is a perspective view of the mirror mounting assembly of FIG. 1;

FIG. 3 is a front view thereof;

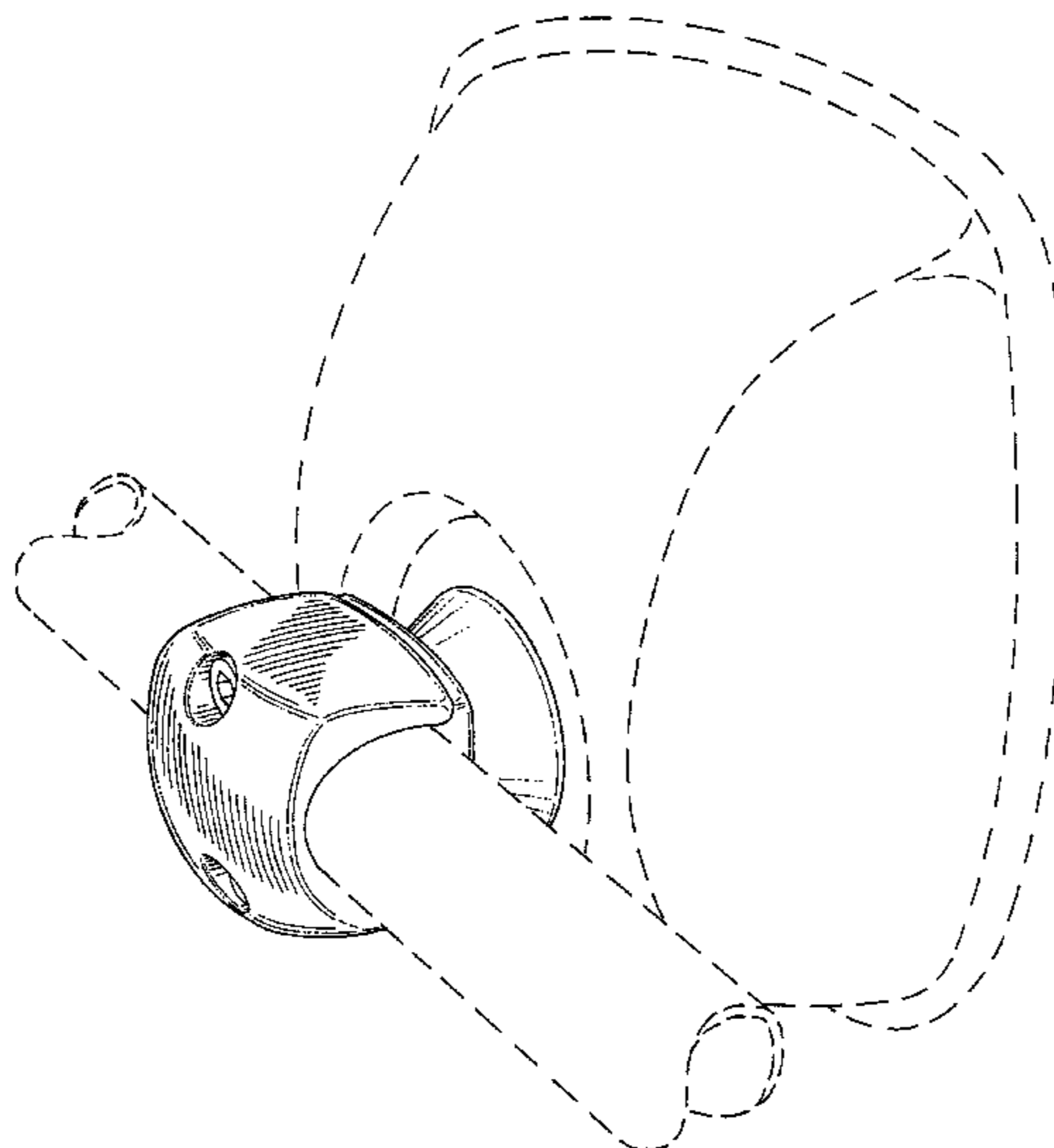
FIG. 4 is a left side view thereof, it being understood that the opposite side is a mirror image;

FIG. 5 is a top view thereof; and,

FIG. 6 is a rear view thereof.

The broken line showing of a mirror and support bar is for illustrative purposes only and forms no part of the claimed design.

1 Claim, 2 Drawing Sheets



US D448,333 S

Page 2

U.S. PATENT DOCUMENTS

		5,044,596	9/1991	Espirito Santo .	
		5,044,739	9/1991	Espirito Santo .	
		5,069,539	12/1991	Valde .	
		5,081,546	1/1992	Bottrill .	
		5,107,374	4/1992	Lupo et al. .	
		5,120,015	6/1992	Espirito Santo .	
		5,137,247	8/1992	Lang et al. .	
		5,225,943	7/1993	Lupo .	
		5,268,796	12/1993	Tomerlin et al. .	
		5,483,385	1/1996	Boddy .	
		5,566,030	10/1996	Yue .	
		5,615,054	3/1997	Lang et al. .	
		5,621,577	4/1997	Lang et al. .	
		5,687,035	11/1997	Lang .	
		5,760,980	6/1998	Lang .	
		5,798,882	8/1998	Lang .	
		5,823,501	10/1998	Schmidt et al. .	
		5,880,895	3/1999	Lang et al. .	
		5,889,627	3/1999	Englander et al. .	
		5,984,482	* 11/1999	Rumsey et al.	359/871
		6,068,380	* 5/2000	Lynn et al.	359/871
		6,174,062	* 1/2001	Schillegger et al.	359/872

* cited by examiner

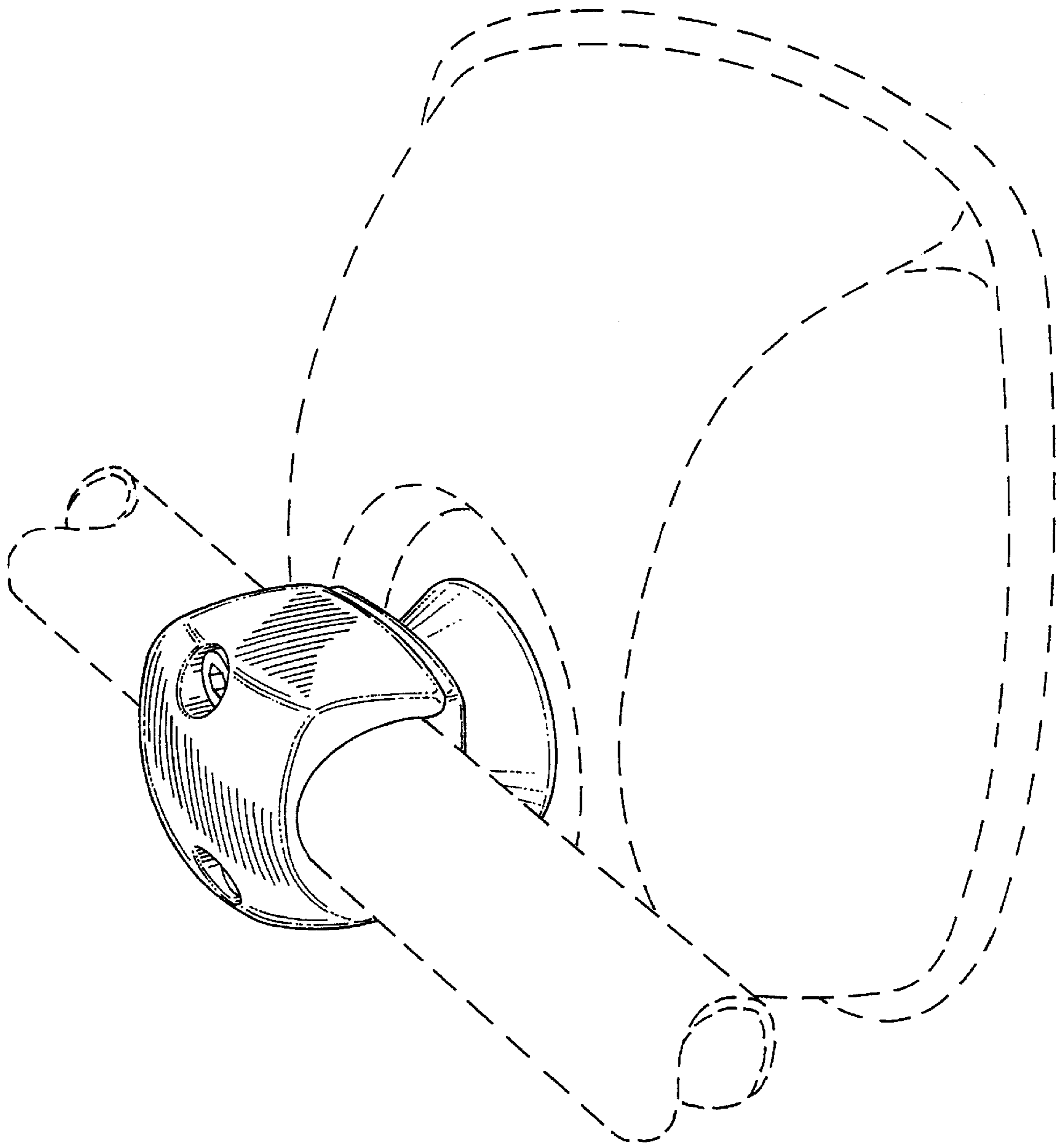


Fig. 1

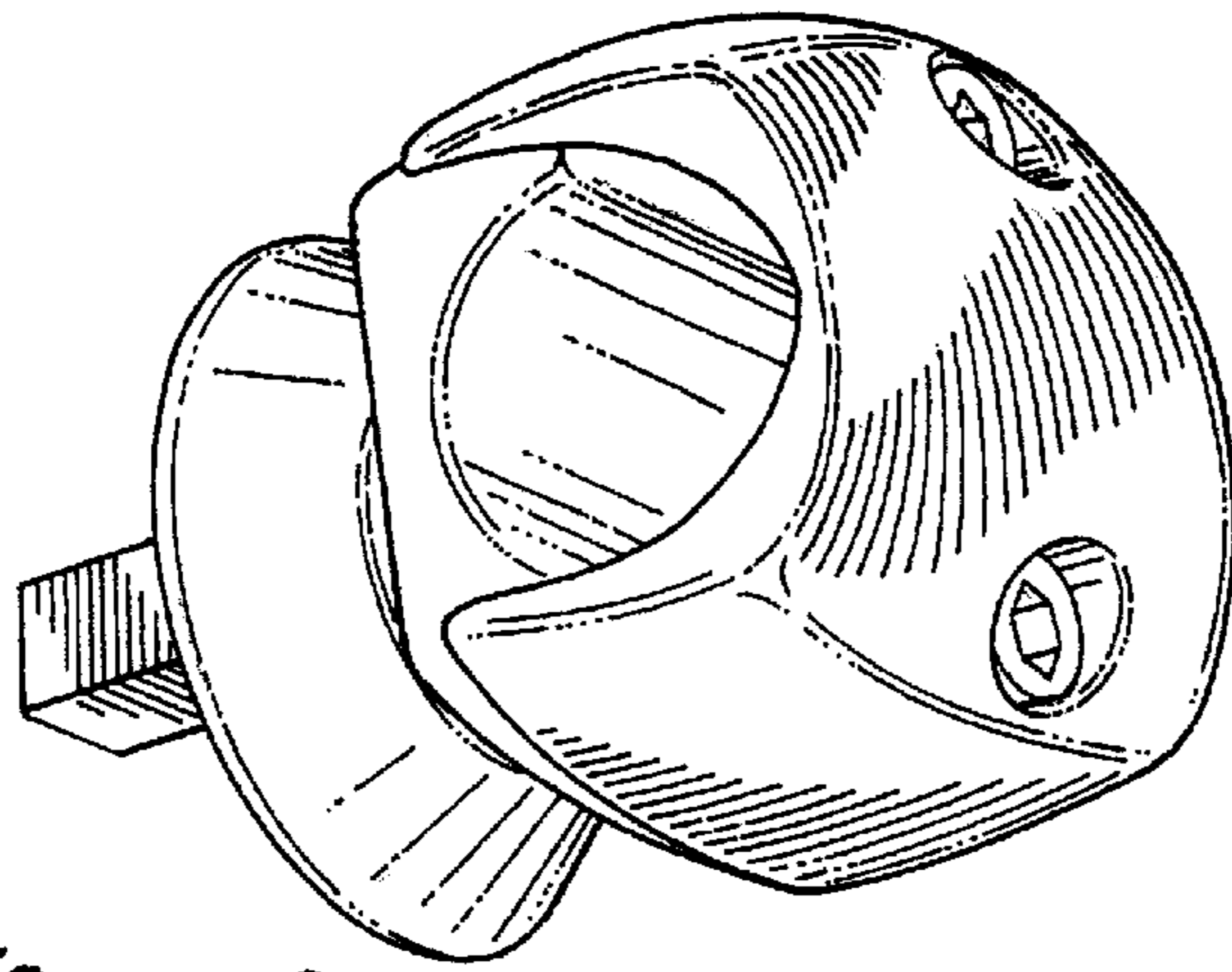


Fig. 2

Fig. 3

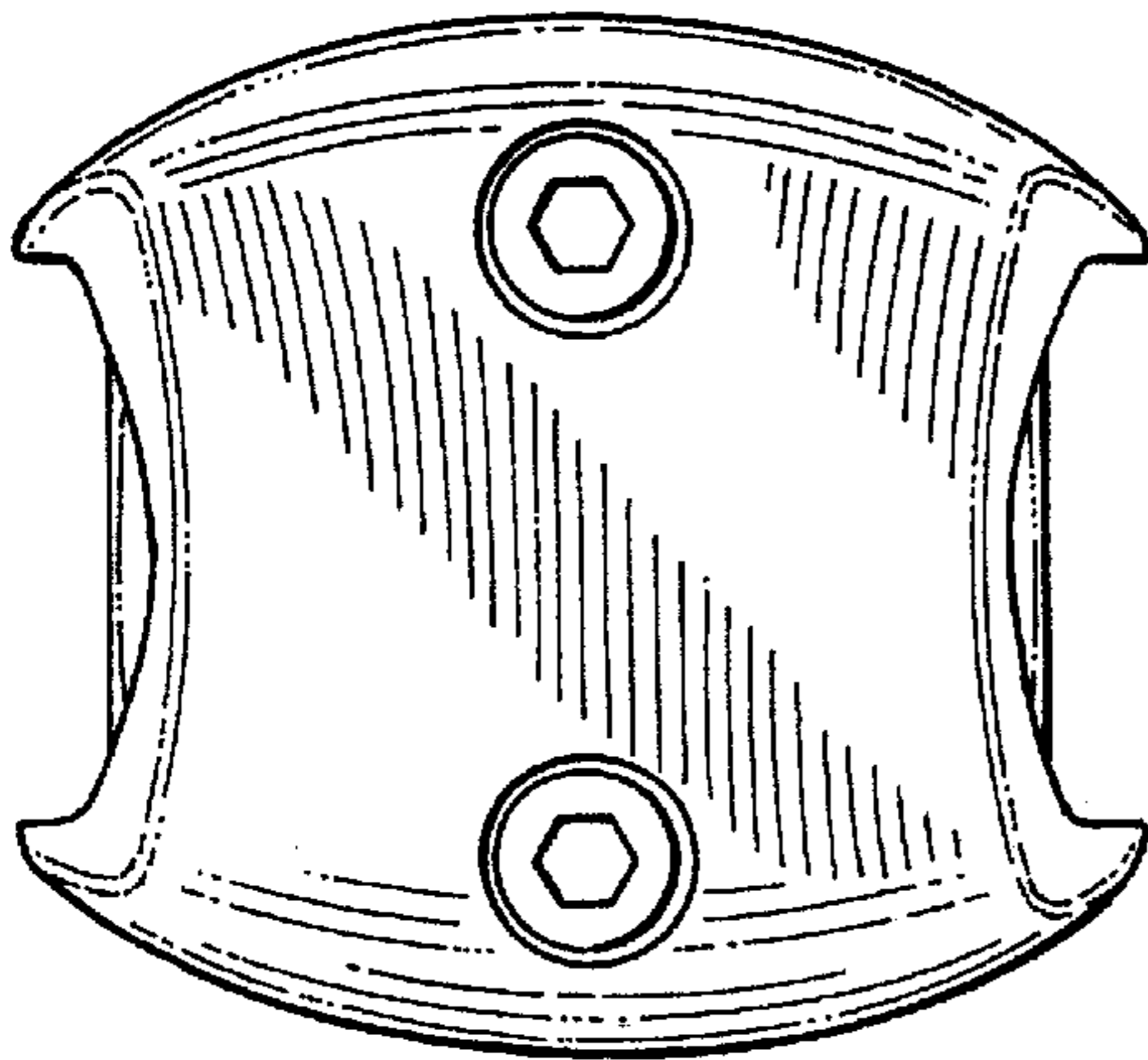


Fig. 4

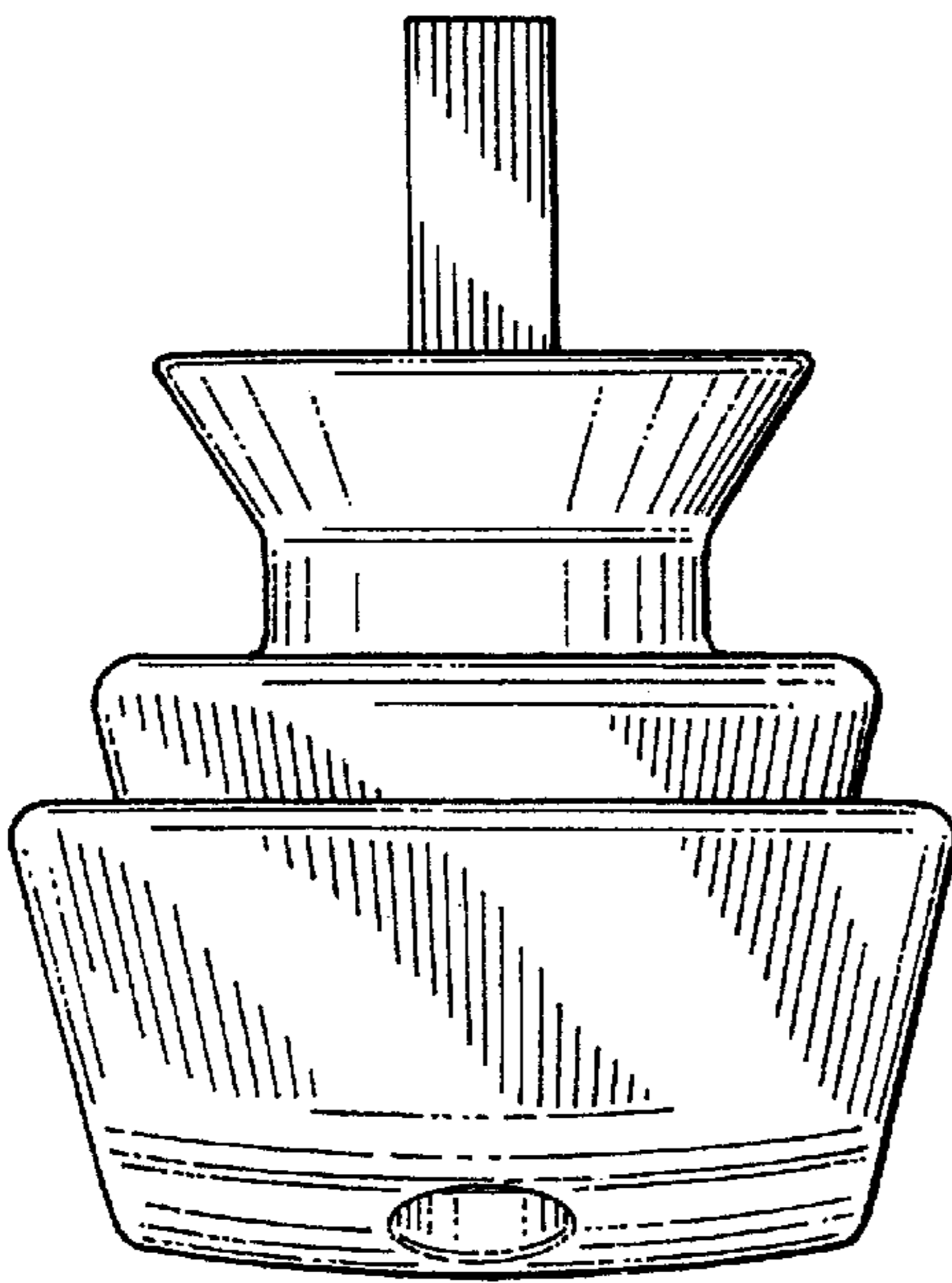
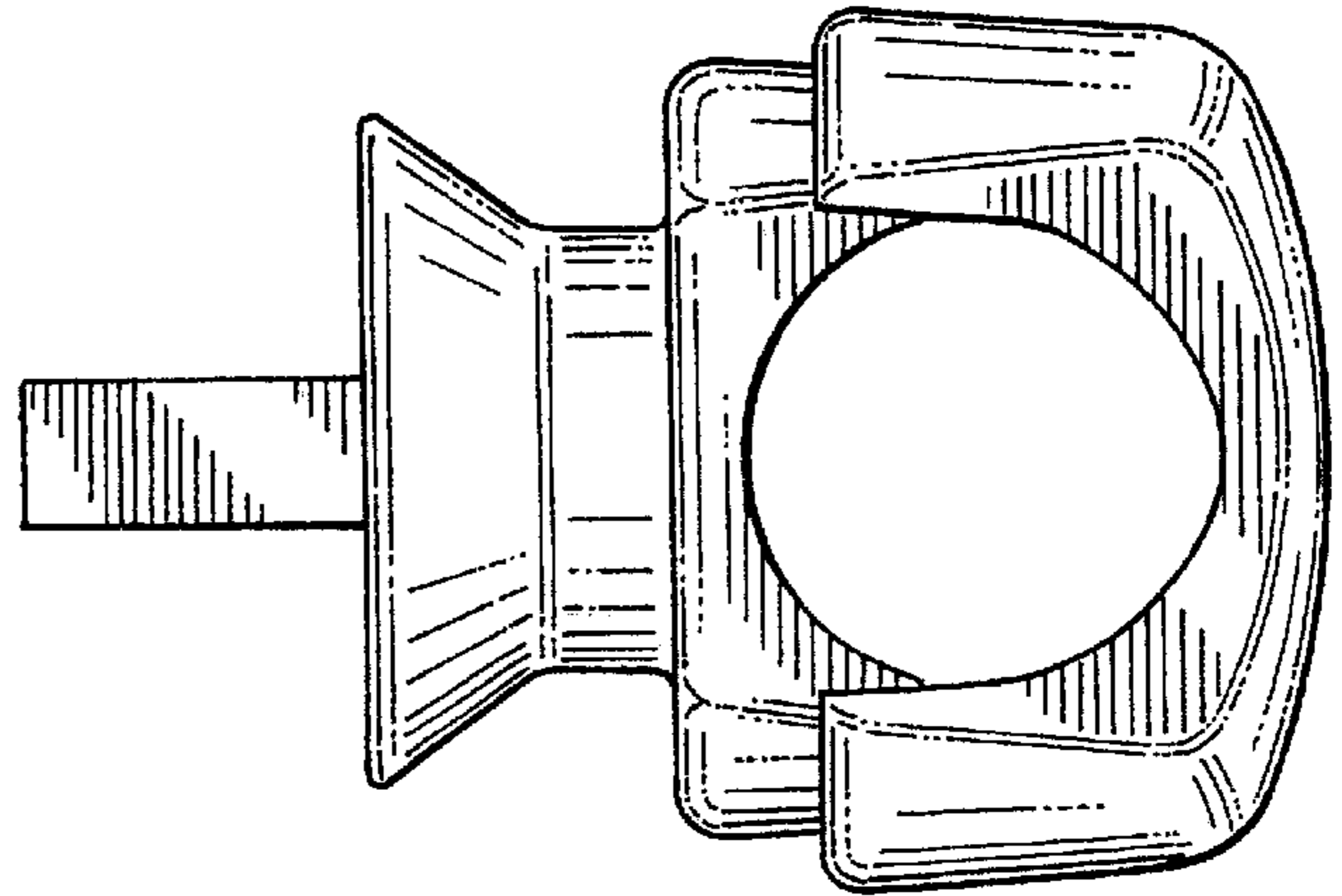


Fig. 5

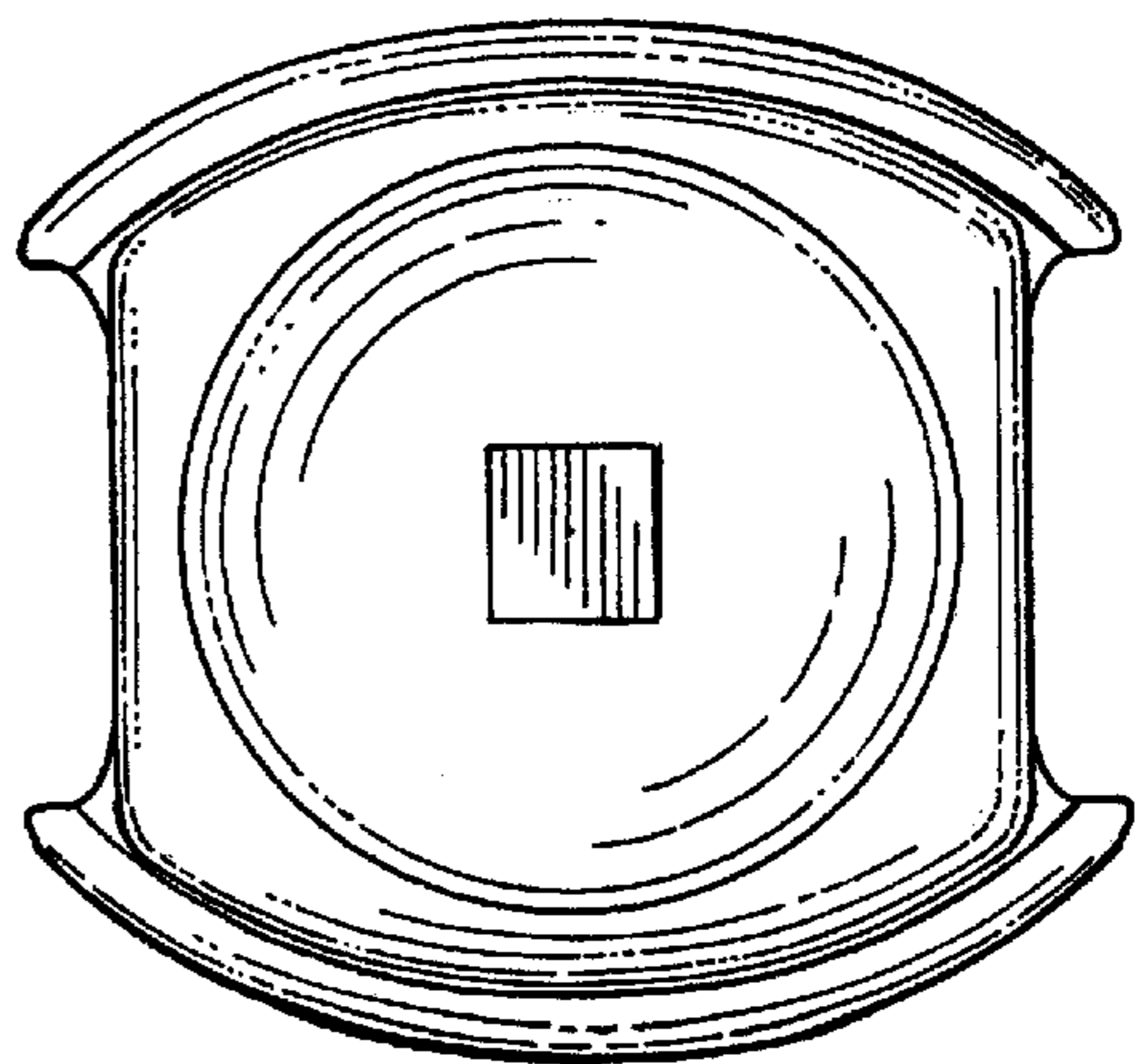


Fig. 6