



US00D448330B1

(12) **United States Design Patent**
Tampi

(10) **Patent No.:** **US D448,330 S**

(45) **Date of Patent:** **** Sep. 25, 2001**

(54) **AUTOMOBILE FRONT BUMPER**

4,159,843 7/1979 Crossman .
4,174,863 11/1979 Götz .

(76) Inventor: **Ivan Tampi**, 5174 Valley Blvd., Los Angeles, CA (US) 90032

* cited by examiner

(**) Term: **14 Years**

Primary Examiner—Melody N. Brown
(74) *Attorney, Agent, or Firm*—Sheldon & Mak; Denton L. Anderson

(21) Appl. No.: **29/134,951**

(22) Filed: **Dec. 26, 2000**

(51) **LOC (7) Cl.** **12-16**

(52) **U.S. Cl.** **D12/169**

(58) **Field of Search** D12/169, 196;
293/102, 113, 115, 117, 120; 296/180.1,
180.2, 185

(57) **CLAIM**

The ornamental design for an automobile front bumper, as shown and described.

DESCRIPTION

FIG. 1 is a perspective view of the exterior surface of the front and right sides of the automobile front bumper of the invention, the left side of the front bumper being identical to the right side of the front bumper, the interior surface having no ornamentality;

FIG. 2 is a top plan view of the exterior surface of the front bumper illustrated in FIG. 1, the interior surface having no ornamentality;

FIG. 3 is a side view showing the exterior surface of the right side of the front bumper illustrated in FIG. 1, the left side of the front bumper being identical to the right side of the front bumper, the interior surface having no ornamentality; and, FIG. 4 is a front view of the exterior surface of the front bumper illustrated in FIG. 1, the interior surface having no ornamentality.

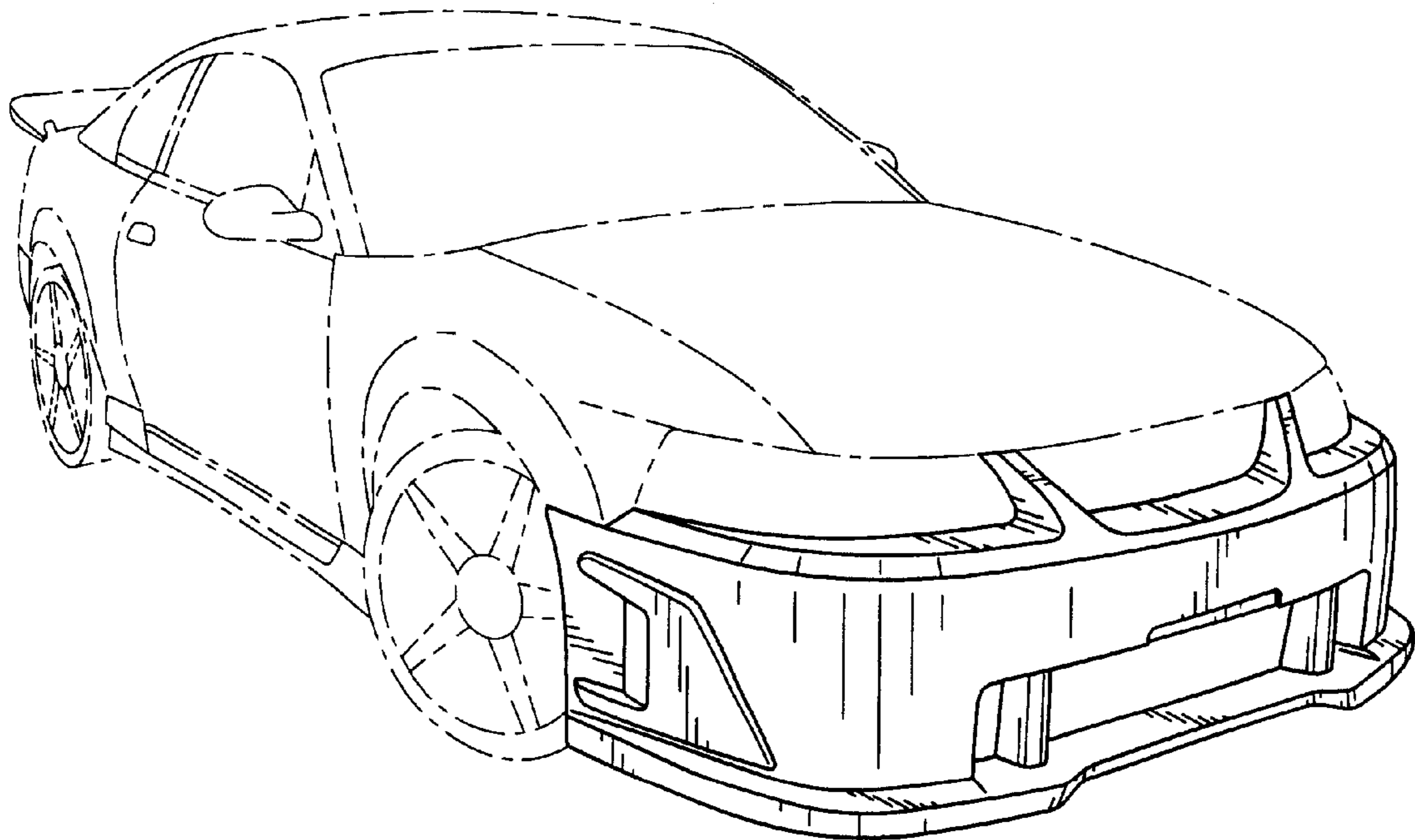
The broken lines shown in all drawing views are for illustrative purposes only and form no part of the claimed design.

(56) **References Cited**

U.S. PATENT DOCUMENTS

D. 254,543	3/1980	Margiaria et al. .	
D. 254,907	5/1980	Envall et al. .	
D. 274,140	6/1984	Koch .	
D. 277,470	2/1985	Matti .	
D. 286,525	11/1986	Sasaoka .	
D. 287,958	1/1987	Dayton et al. .	
D. 292,788	11/1987	Koch .	
D. 293,311	12/1987	Strosek .	
D. 300,419	3/1989	Ikeda .	
D. 392,606	3/1998	Kulla et al. .	
D. 417,641	* 12/1999	Saleen	D12/169
D. 419,931	2/2000	Horbury et al. .	
D. 422,544	4/2000	Carlson et al. .	
D. 427,553	* 7/2000	Pfeiffer	D12/169

1 Claim, 2 Drawing Sheets



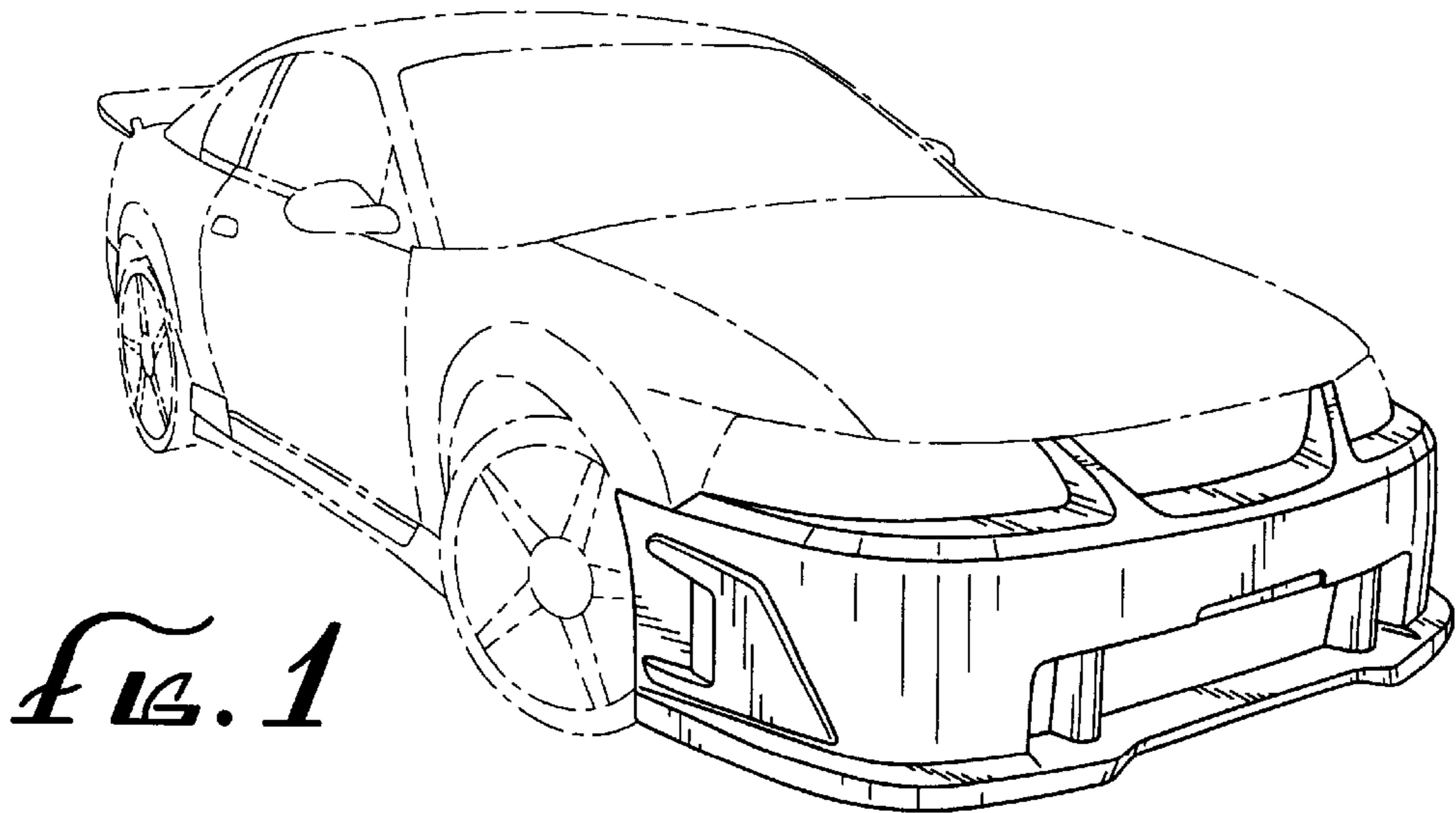


FIG. 1

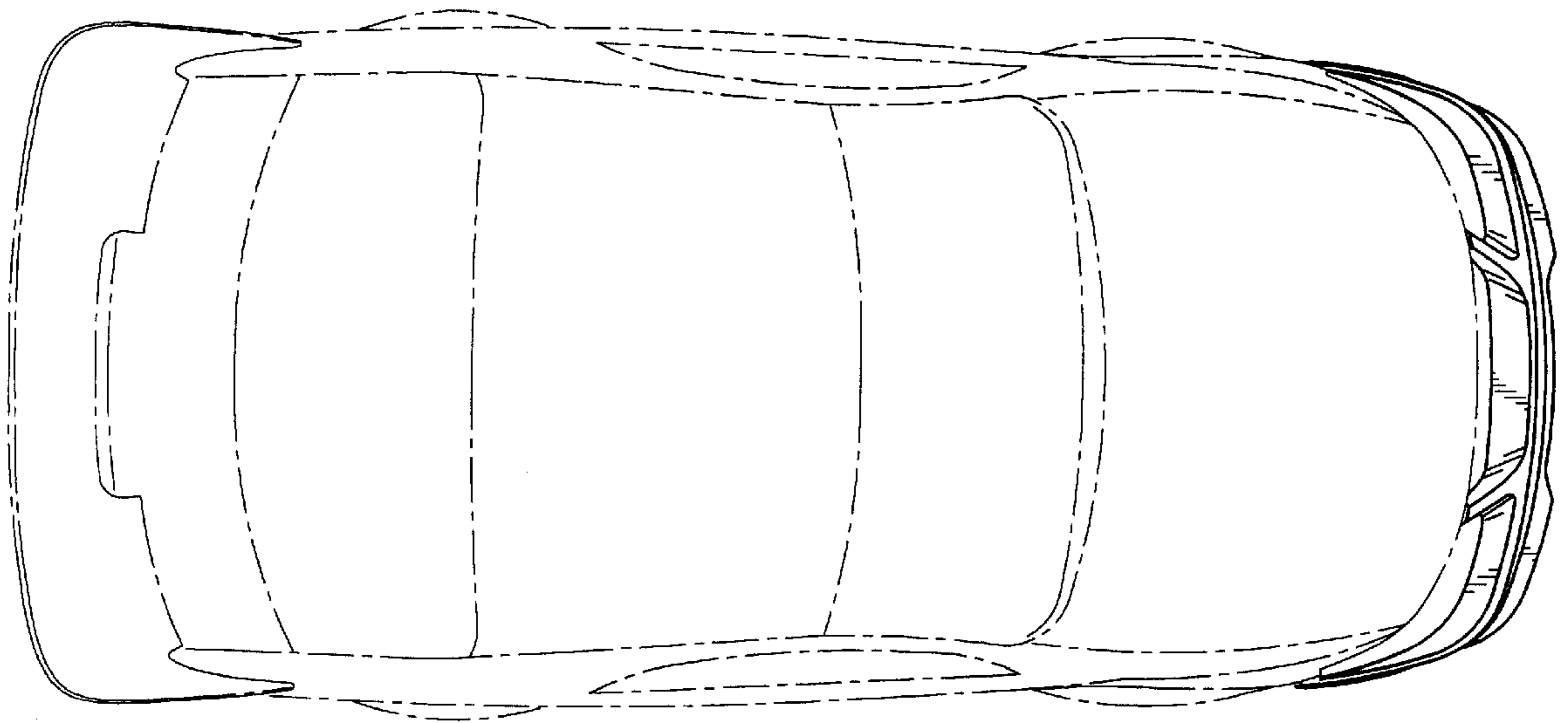


FIG. 2

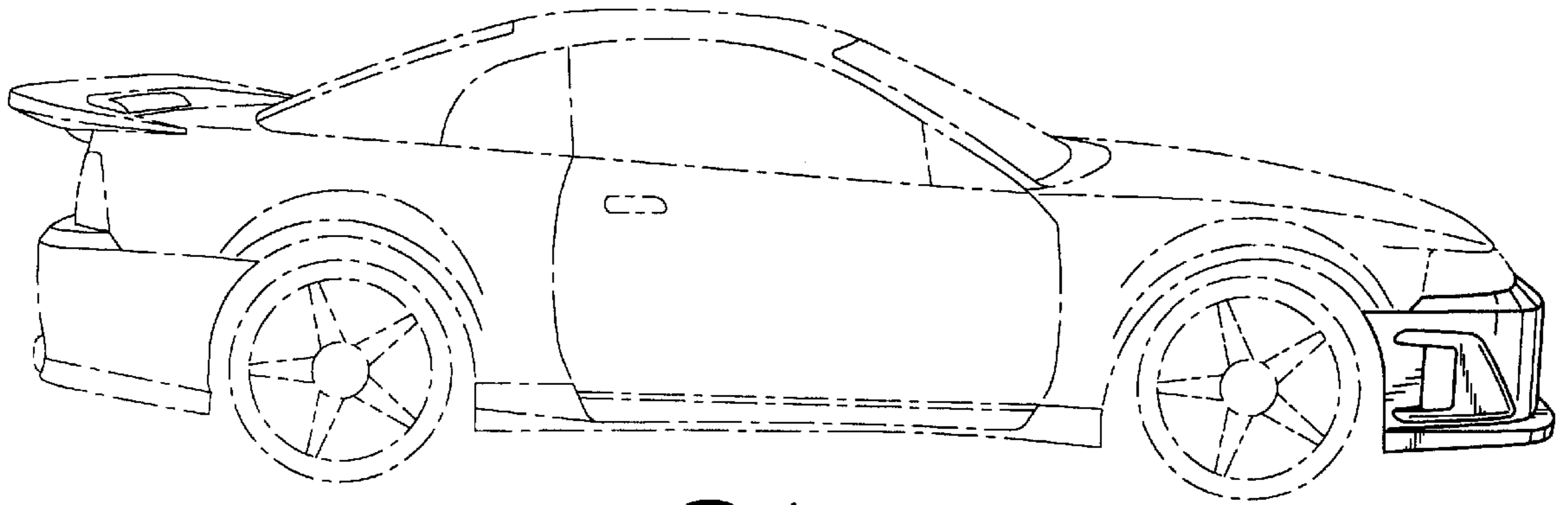


FIG. 3

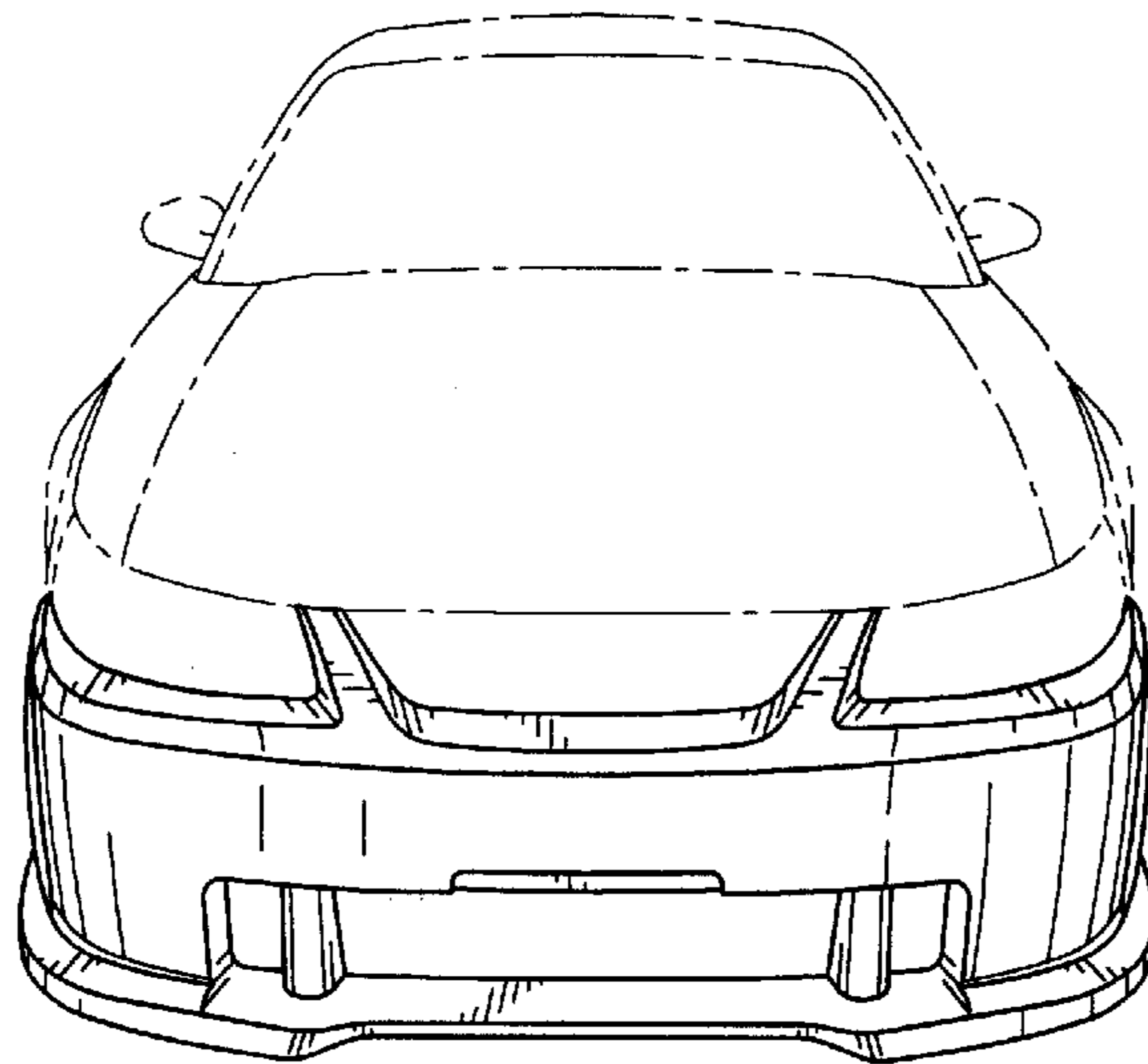


FIG. 4