



US00D448325B1

(12) **United States Design Patent**  
**Fujieda**

(10) **Patent No.:** **US D448,325 S**

(45) **Date of Patent:** **\*\* Sep. 25, 2001**

(54) **FOUR WHEELED MOTORCYCLE**

(75) **Inventor:** **Yoshiaki Fujieda, Shizuoka-ken (JP)**

(73) **Assignee:** **Suzuki Motor Corporation,  
Shizuoka-ken (JP)**

(\*\*) **Term:** **14 Years**

(21) **Appl. No.:** **29/130,020**

(22) **Filed:** **Sep. 26, 2000**

(30) **Foreign Application Priority Data**

Mar. 28, 2000 (JP) ..... 12-007554

(51) **LOC (7) Cl.** ..... **12-11**

(52) **U.S. Cl.** ..... **D12/107**

(58) **Field of Search** ..... D12/107, 3; 180/225,  
180/229, 233, 312, 315, 311

(56) **References Cited**

**U.S. PATENT DOCUMENTS**

D. 330,694 \* 11/1992 Kimura ..... D12/107

D. 412,464 \* 8/1999 Ichihara et al. .... D12/107

D. 427,942 \* 7/2000 Cho et al. .... D12/107

D. 432,053 \* 10/2000 Wu et al. .... D12/107

D. 438,823 \* 3/2001 Luh ..... D12/107

\* cited by examiner

*Primary Examiner*—Melody N. Brown

(74) *Attorney, Agent, or Firm*—Darby & Darby

(57) **CLAIM**

The ornamental design for a four wheeled motorcycle, as shown and described.

**DESCRIPTION**

FIG. 1 is a rear perspective view of a four wheeled motorcycle from the rear and left side;

FIG. 2 is a front perspective view thereof from the front and right side;

FIG. 3 is a front view thereof;

FIG. 4 is a right side view thereof;

FIG. 5 is a rear view thereof;

FIG. 6 is a left side view thereof;

FIG. 7 is a top view thereof; and,

FIG. 8 is a bottom view thereof.

**1 Claim, 4 Drawing Sheets**





FIG. 1



FIG. 2







FIG. 3

FIG. 4





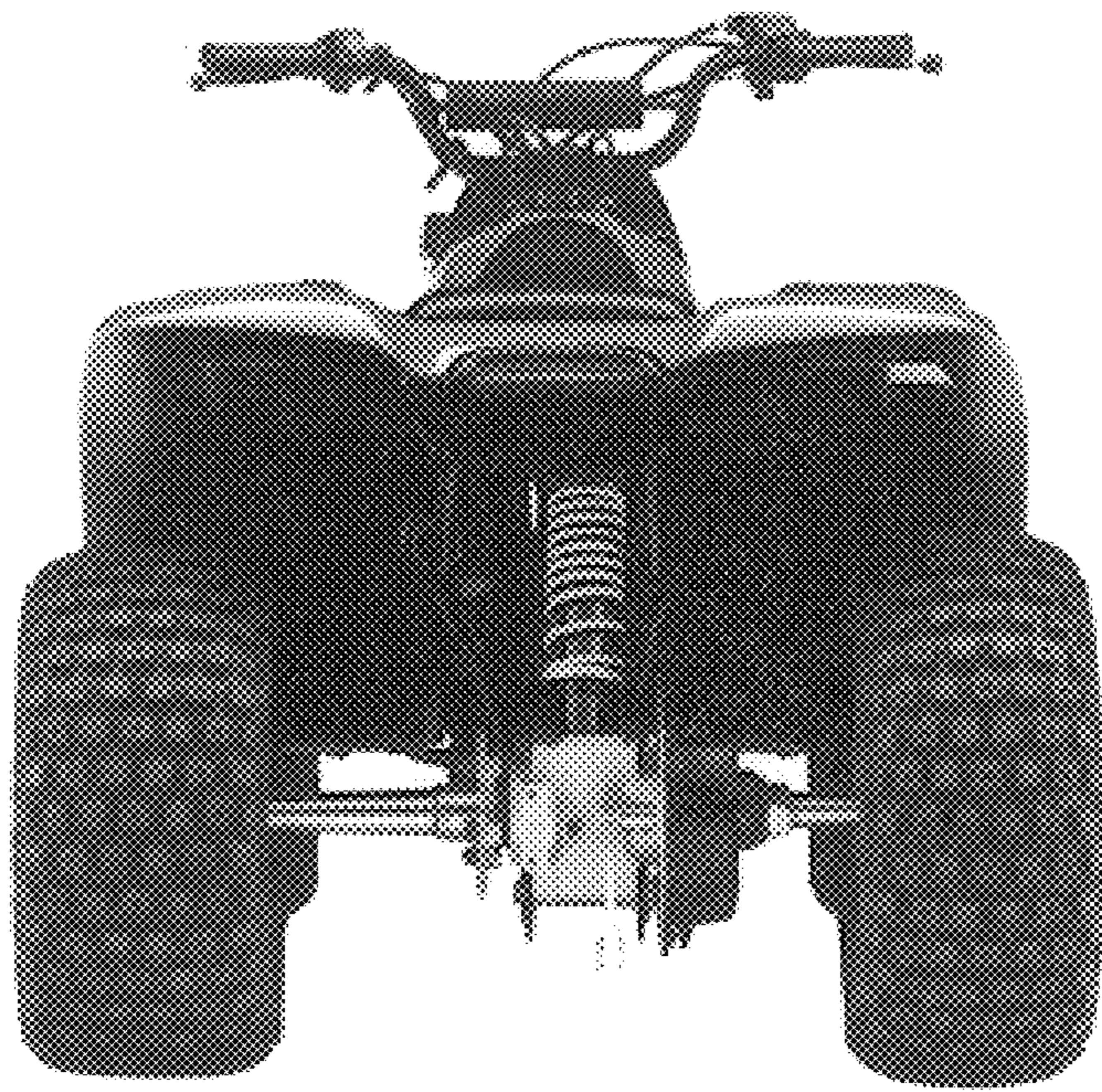


FIG. 5

FIG. 6





FIG. 7

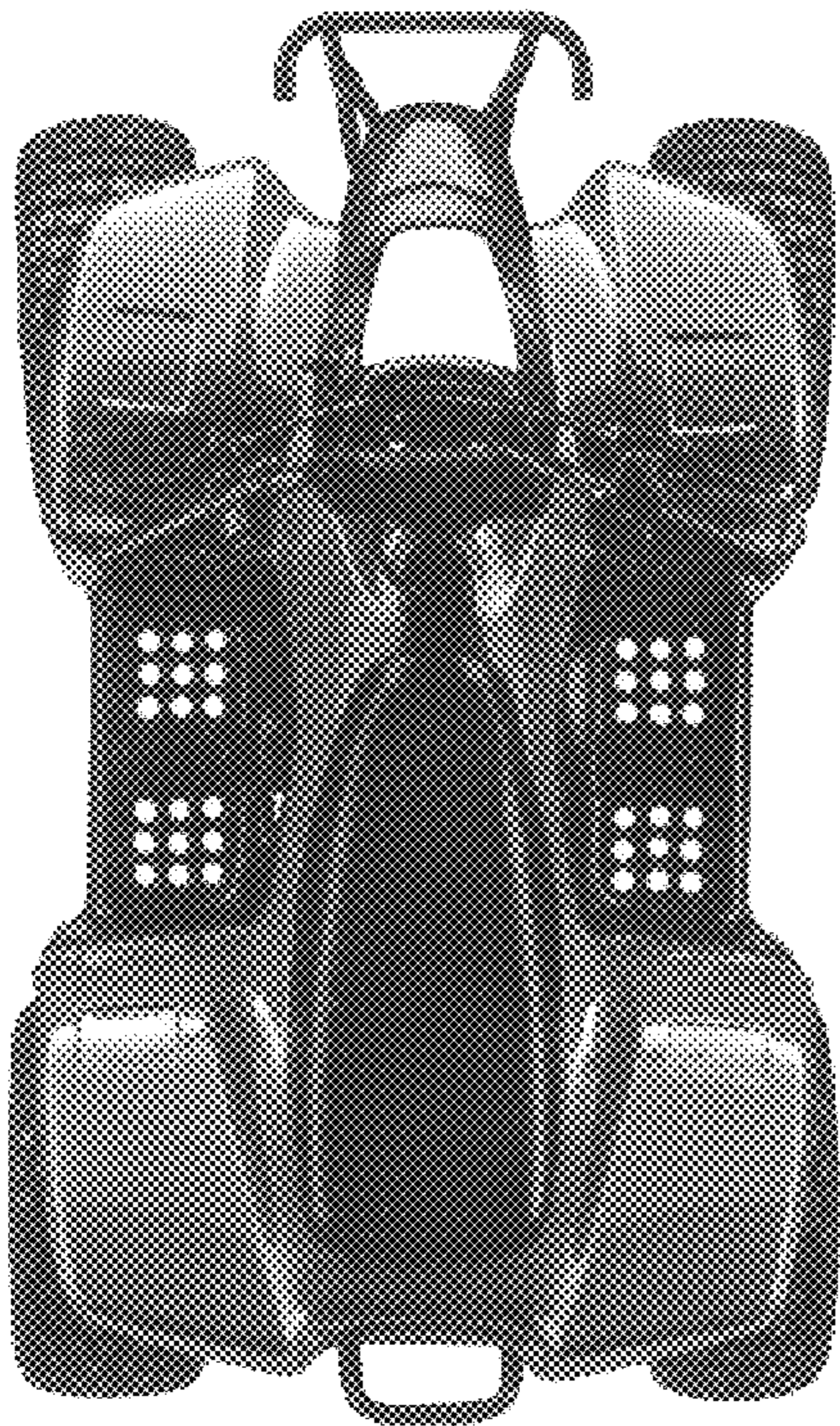


FIG. 8

