



US00D448323B1

(12) **United States Design Patent**
Enneguess

(10) **Patent No.:** **US D448,323 S**

(45) **Date of Patent:** **** Sep. 25, 2001**

(54) **SHADOW BOX BELT BUCKLE WITH
CLOUSER'S DEEP MINNOW, SILVER
SHINER**

D. 365,046 * 12/1995 McKinley D11/232
2,426,571 * 8/1947 Wynne, Sr. et al. 63/20

* cited by examiner

(76) Inventor: **Daniel Enneguess**, P.O. Box 916,
Monument Beach, MA (US)
02553-0916

Primary Examiner—Louis S. Zarfaz
Assistant Examiner—Catherine R. Oliver
(74) *Attorney, Agent, or Firm*—Thomas A. Kahrl Esq.

(**) Term: **14 Years**

(57) **CLAIM**

(21) Appl. No.: **29/119,163**

I claim the ornamental design for shadow box belt buckle with clouser's deep minnow, silver shiner, as shown and described.

(22) Filed: **Feb. 24, 2000**

Related U.S. Application Data

DESCRIPTION

(63) Continuation-in-part of application No. 29/100,194, filed on Feb. 4, 1999.

The dominant feature of the invention resides in the design of a belt buckle featuring a miniature shadow box belt buckle with clouser's deep minnow, silver shiner, fixed in lucyte imbedment in the manner of a shadow box.

(51) **LOC (7) Cl.** **02-07**

(52) **U.S. Cl.** **D11/232**

(58) **Field of Search** D11/200–220,
D11/232, 224, 241, 69; 24/199, 170, 200,
30.5 R, 614, 616, 625, 615, 650; 63/20

FIG. 1 is a perspective view of a shadow box belt buckle with clouser's deep minnow, silver shiner showing my new design;

FIG. 2 is a top plan view thereof;

FIG. 3 is a left side elevational view thereof the right side being a mirror image thereof;

FIG. 4 is a cross section view shown along lines 4—4 of FIG. 2; and,

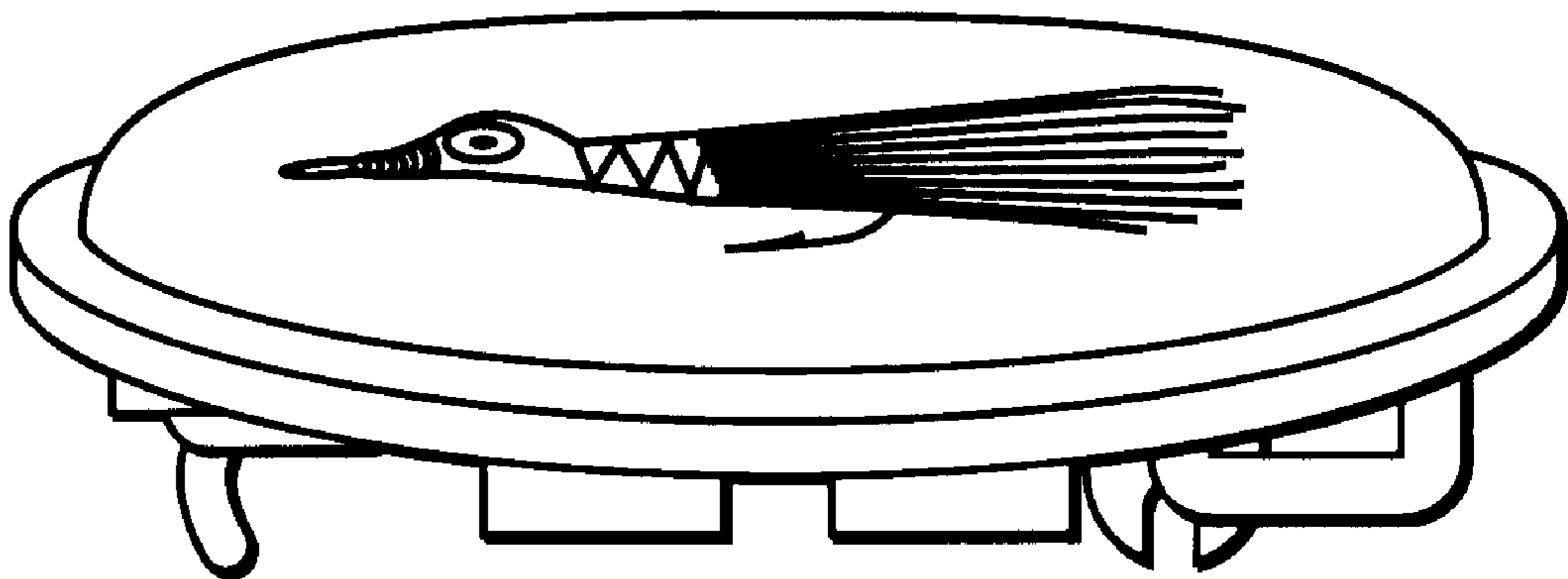
FIG. 5 is a bottom elevational view thereof.

(56) **References Cited**

U.S. PATENT DOCUMENTS

D. 73,130 * 7/1927 Hobe D11/224
D. 278,282 * 4/1985 Rudd D11/232
D. 280,464 * 9/1985 Casull D11/232
D. 310,052 * 8/1990 Kohout D11/241

1 Claim, 2 Drawing Sheets



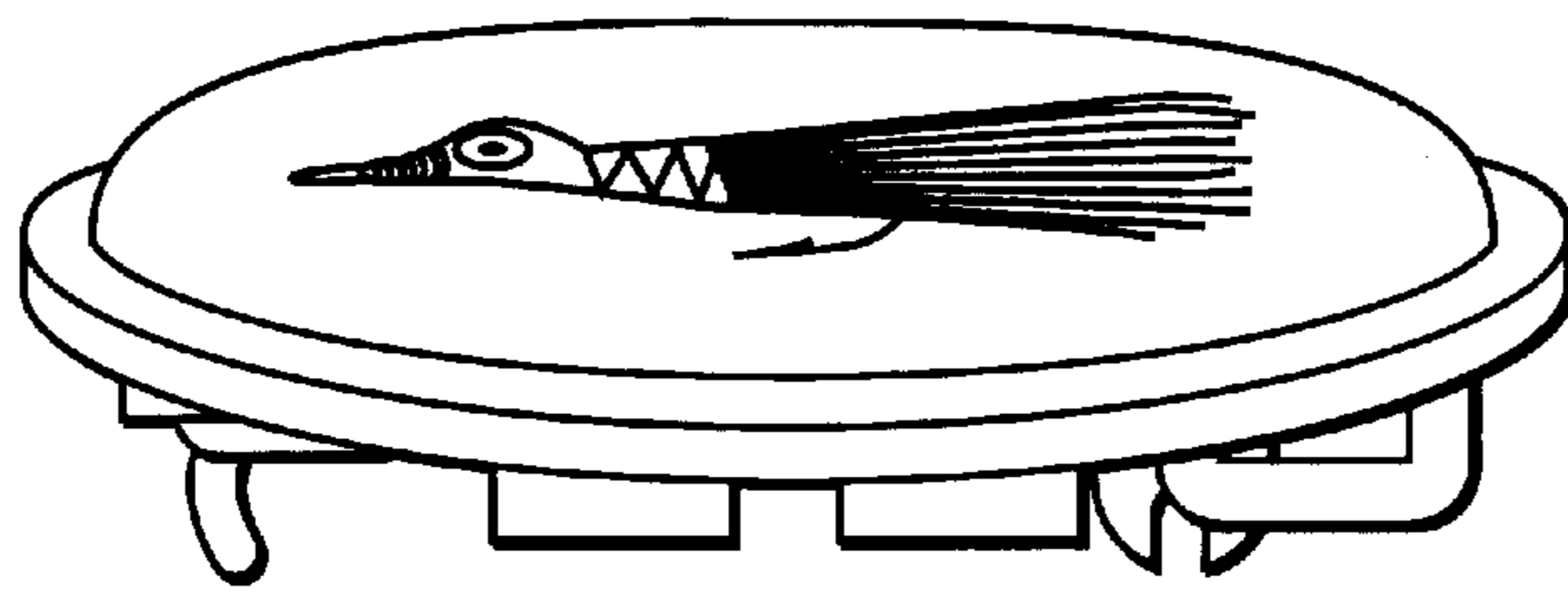


FIG. 1

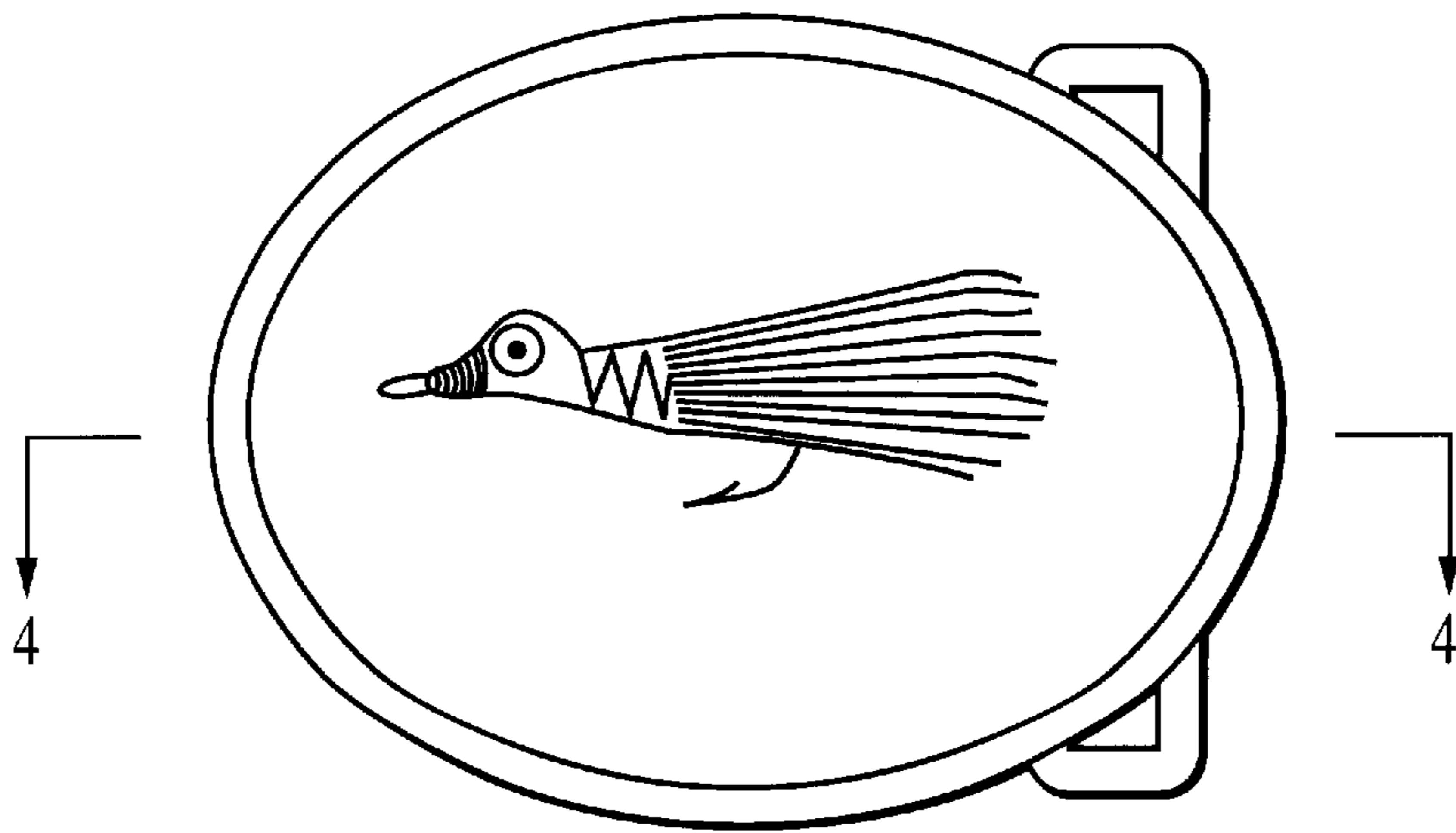


FIG. 2

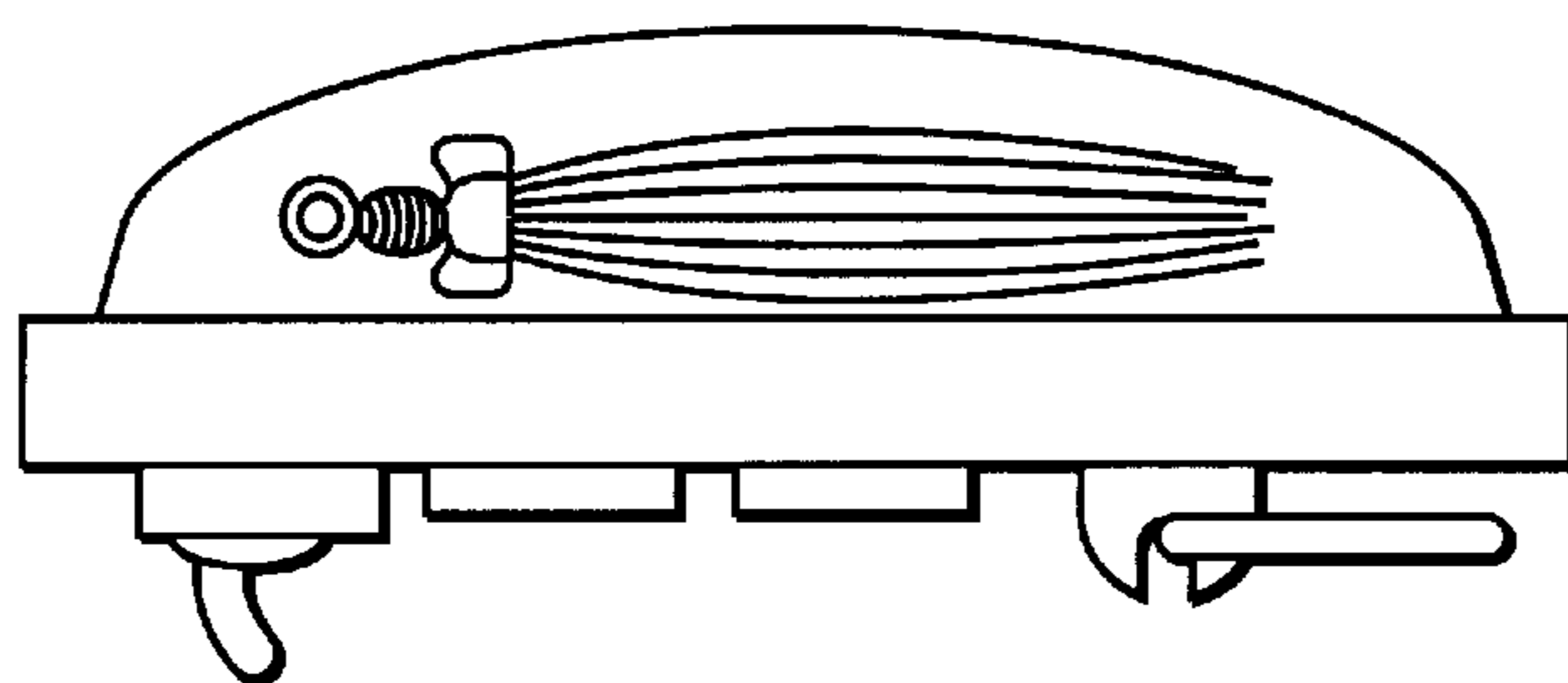


FIG. 3

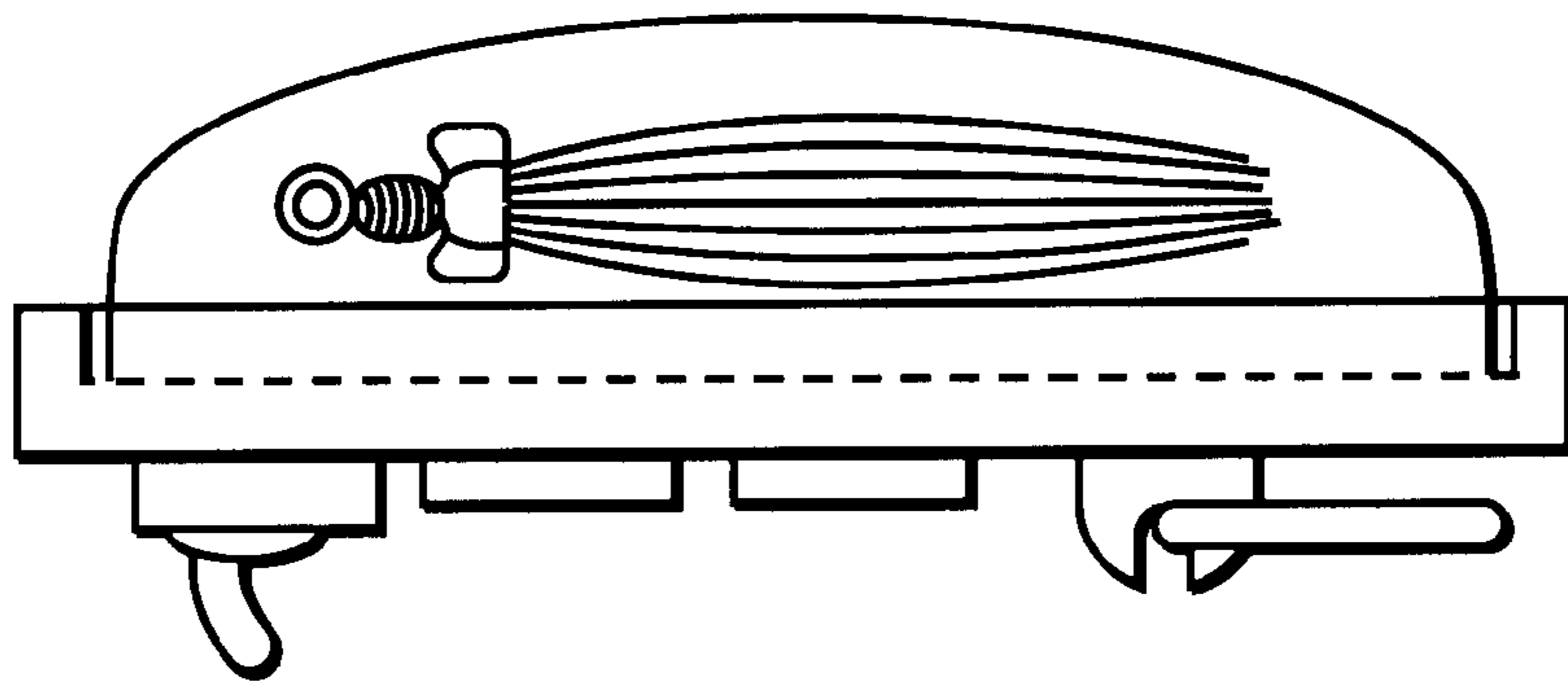


FIG. 4

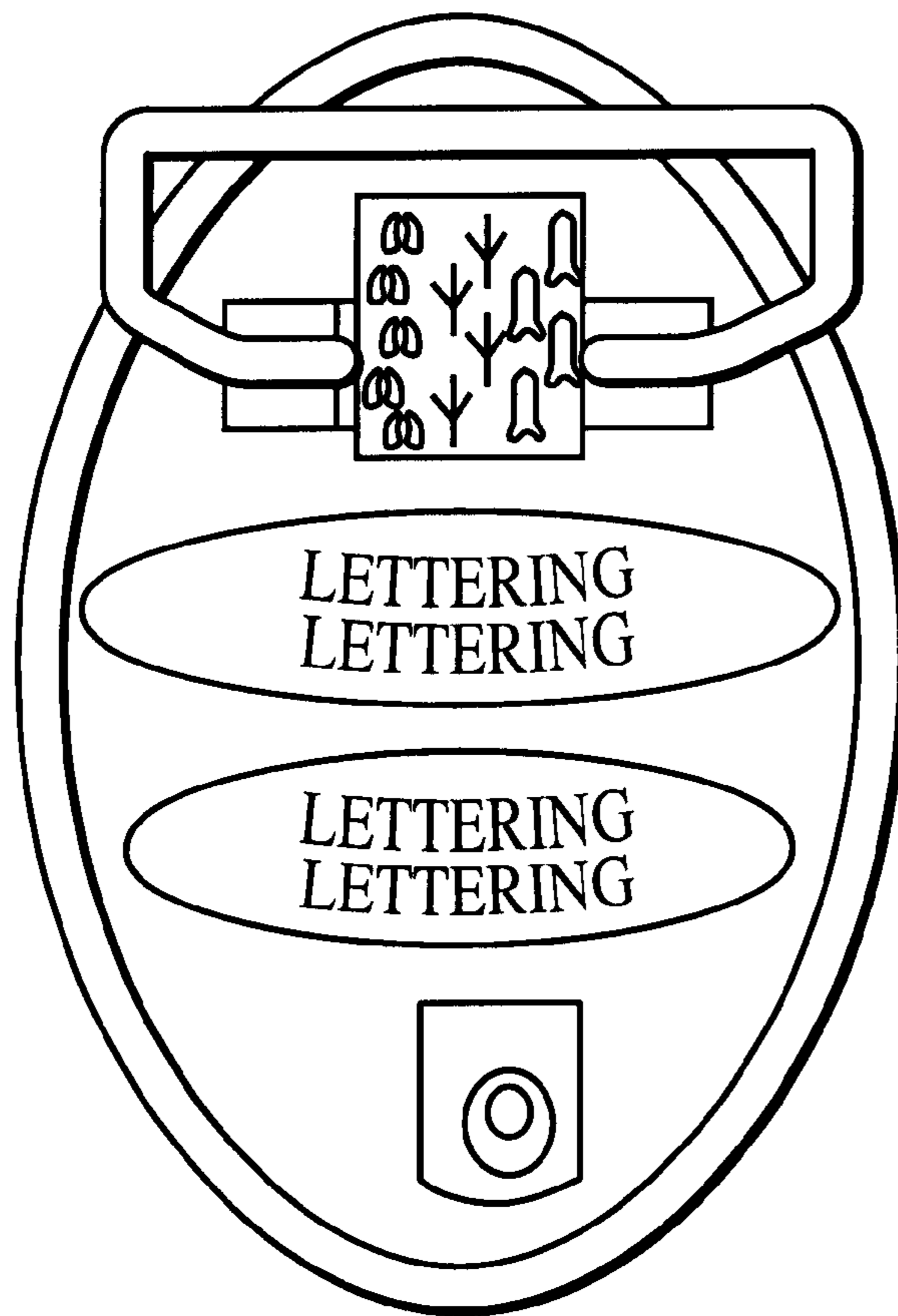


FIG. 5