



US00D448321B1

(12) **United States Design Patent**
Jones et al.

(10) **Patent No.:** **US D448,321 S**

(45) **Date of Patent:** **** Sep. 25, 2001**

(54) **WINDOW BOX**

5,390,443 * 2/1995 Emalfarb et al. 47/67
5,875,902 * 3/1999 Emery et al. 211/88.01

(75) Inventors: **Dominic H. Jones**, Columbus; **Donald J. Staufenberg**, Dublin, both of OH (US)

* cited by examiner

Primary Examiner—Doris V. Coles

Assistant Examiner—Mimosa De

(73) Assignee: **National Manufacturing Co.**, Sterling, IL (US)

(74) *Attorney, Agent, or Firm*—Marshall, O’Toole, Gerstein, Murray & Borun

(**) Term: **14 Years**

(57) **CLAIM**

(21) Appl. No.: **29/133,683**

The ornamental design for a window box, as shown and described.

(22) Filed: **Dec. 4, 2000**

DESCRIPTION

(51) **LOC (7) Cl.** **11-02**

(52) **U.S. Cl.** **D11/156**

(58) **Field of Search** D11/143, 144, D11/148, 149, 151, 153, 154, 155, 156; D6/403, 405, 513, 556, 557; 47/39, 41.01, 65.5, 65.7, 66.6, 67, 68, 72; 206/423; 211/85.23, 85.31, 106, 88.01, 119.011, 181.1; 248/27.8, 127, 339

FIG. 1 is a perspective view of our new design for a window box;

FIG. 2 is a top plan view of our new design for a window box of FIG. 1;

FIG. 3 is a front elevation view of our new design for a window box of FIG. 1;

FIG. 4 is a right end elevation view of our new design for a window box of FIG. 1;

FIG. 5 is a top plan view of an alternate embodiment of our new design for a hanging basket; and,

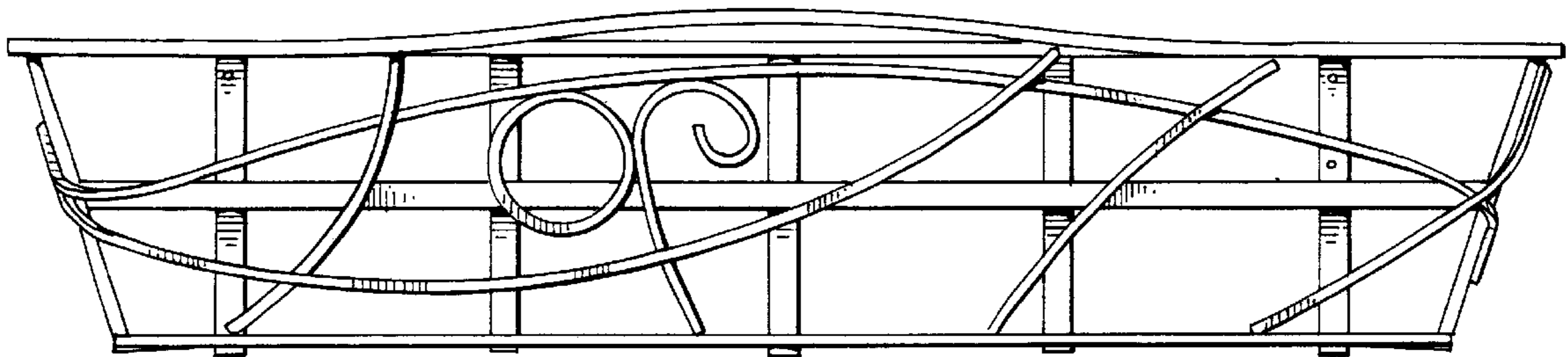
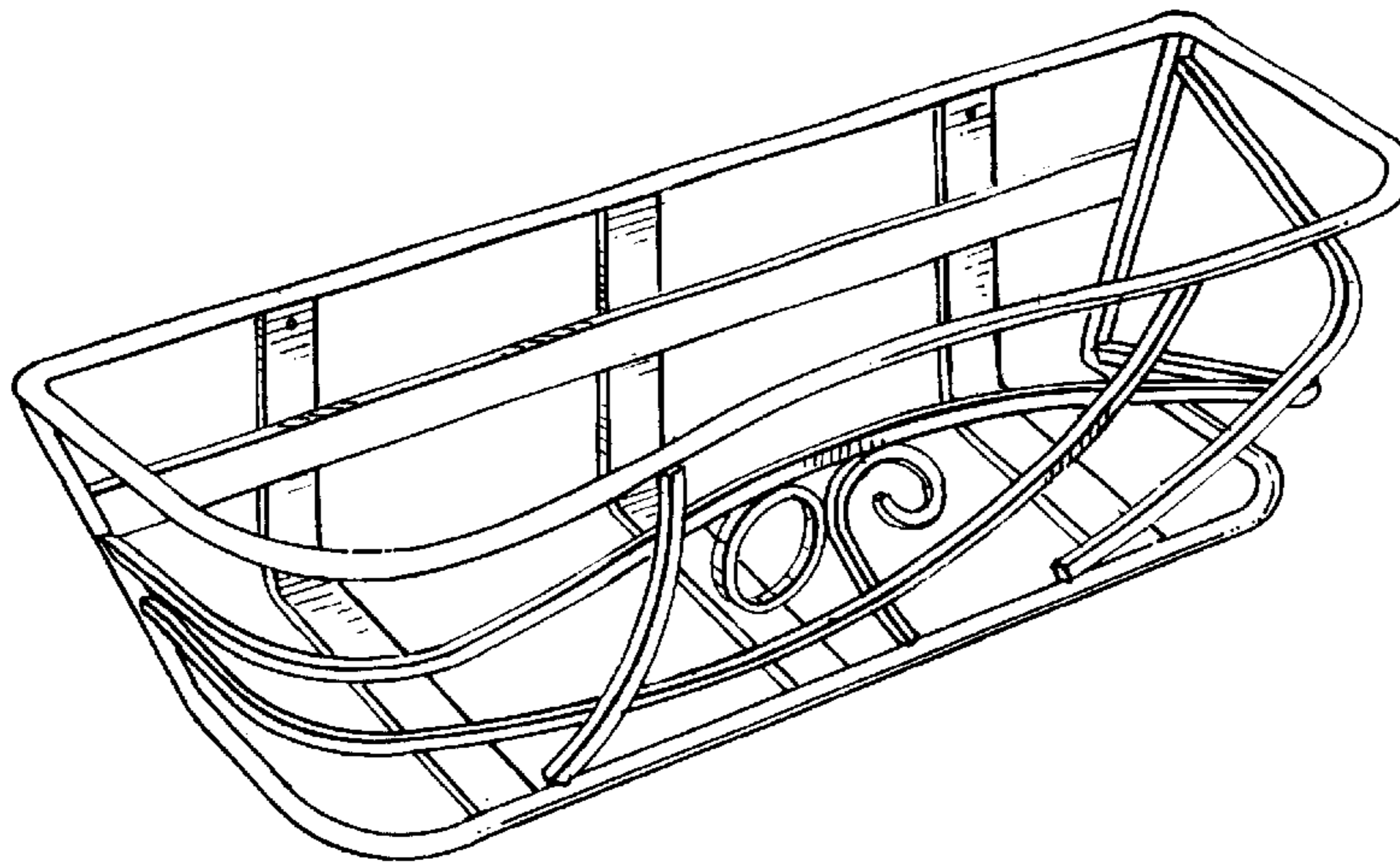
FIG. 6 is a front elevation view of the alternate embodiment of FIG. 5.

(56) **References Cited**

U.S. PATENT DOCUMENTS

D. 417,114 * 11/1999 Rehmert et al. D6/556
1,559,695 * 11/1925 Hatch 211/181.1
5,181,621 * 1/1993 Plaehn 211/181.1

1 Claim, 2 Drawing Sheets



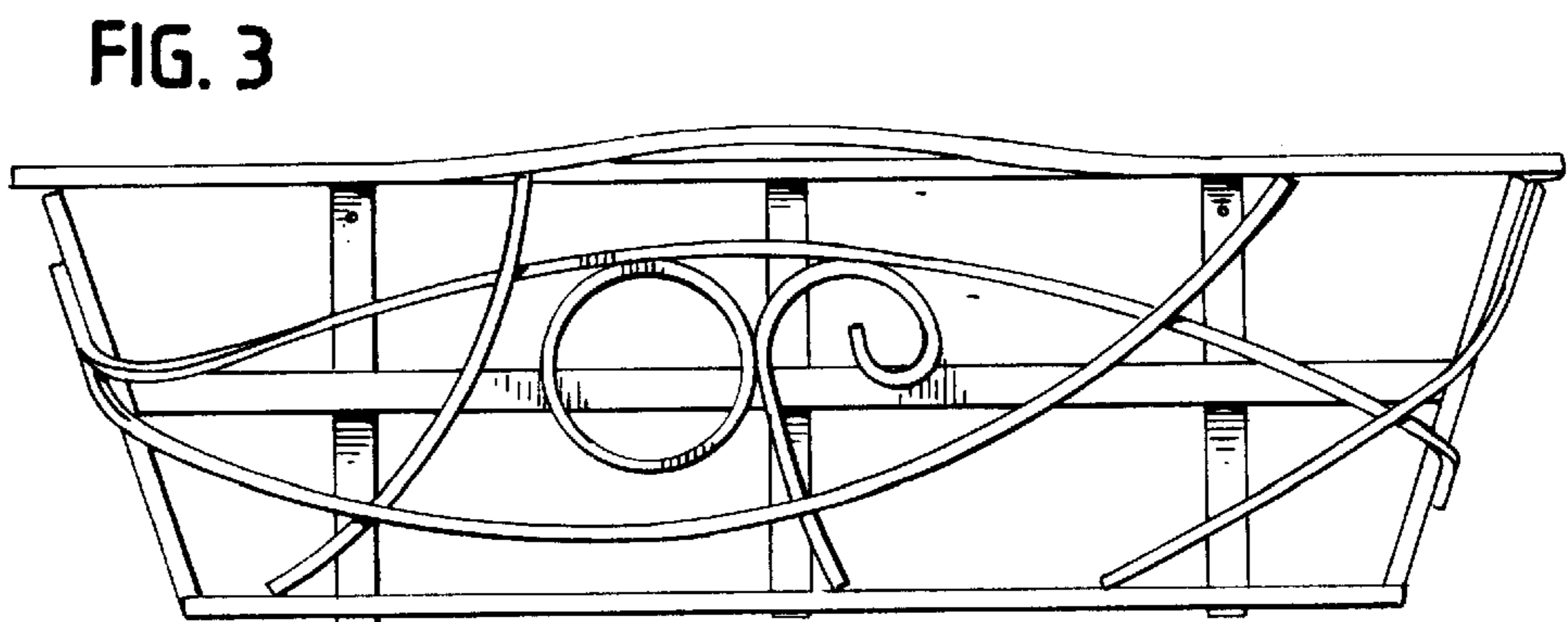
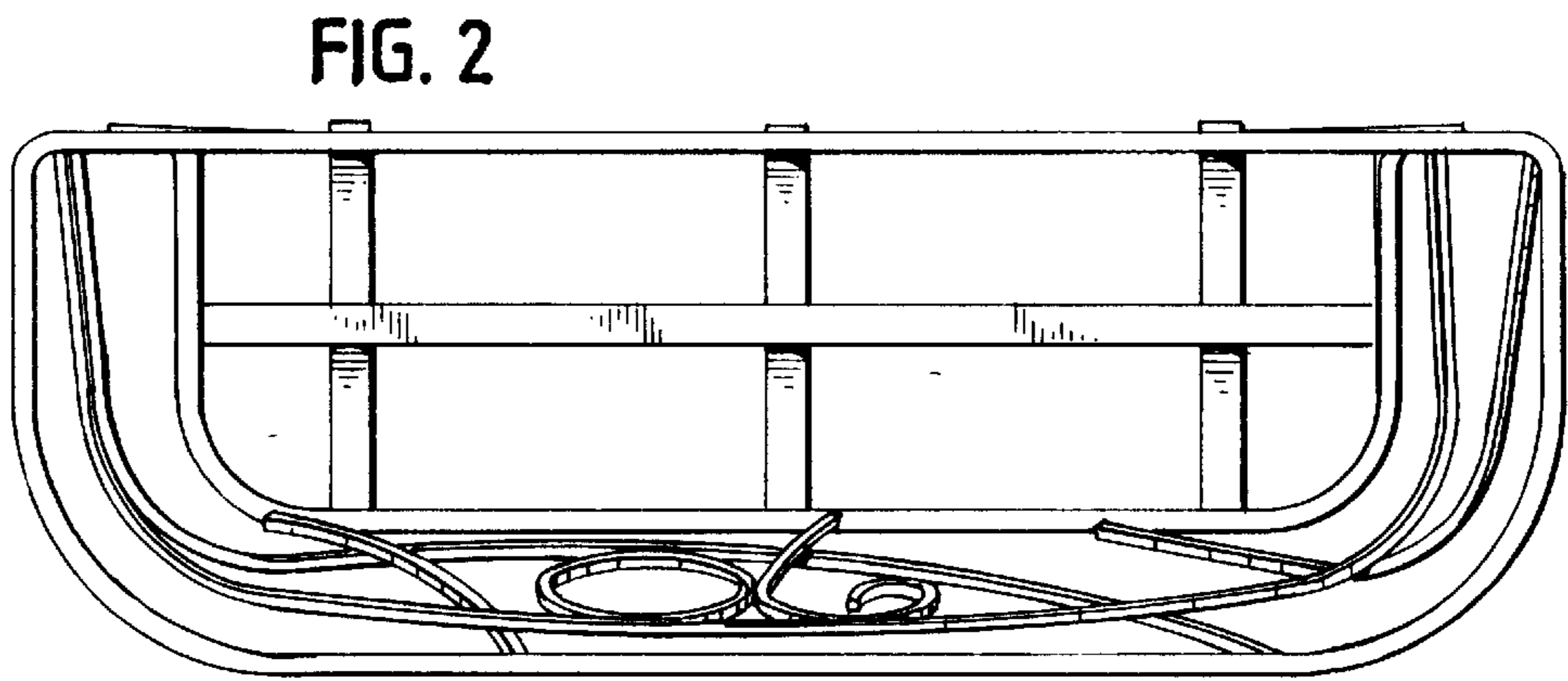
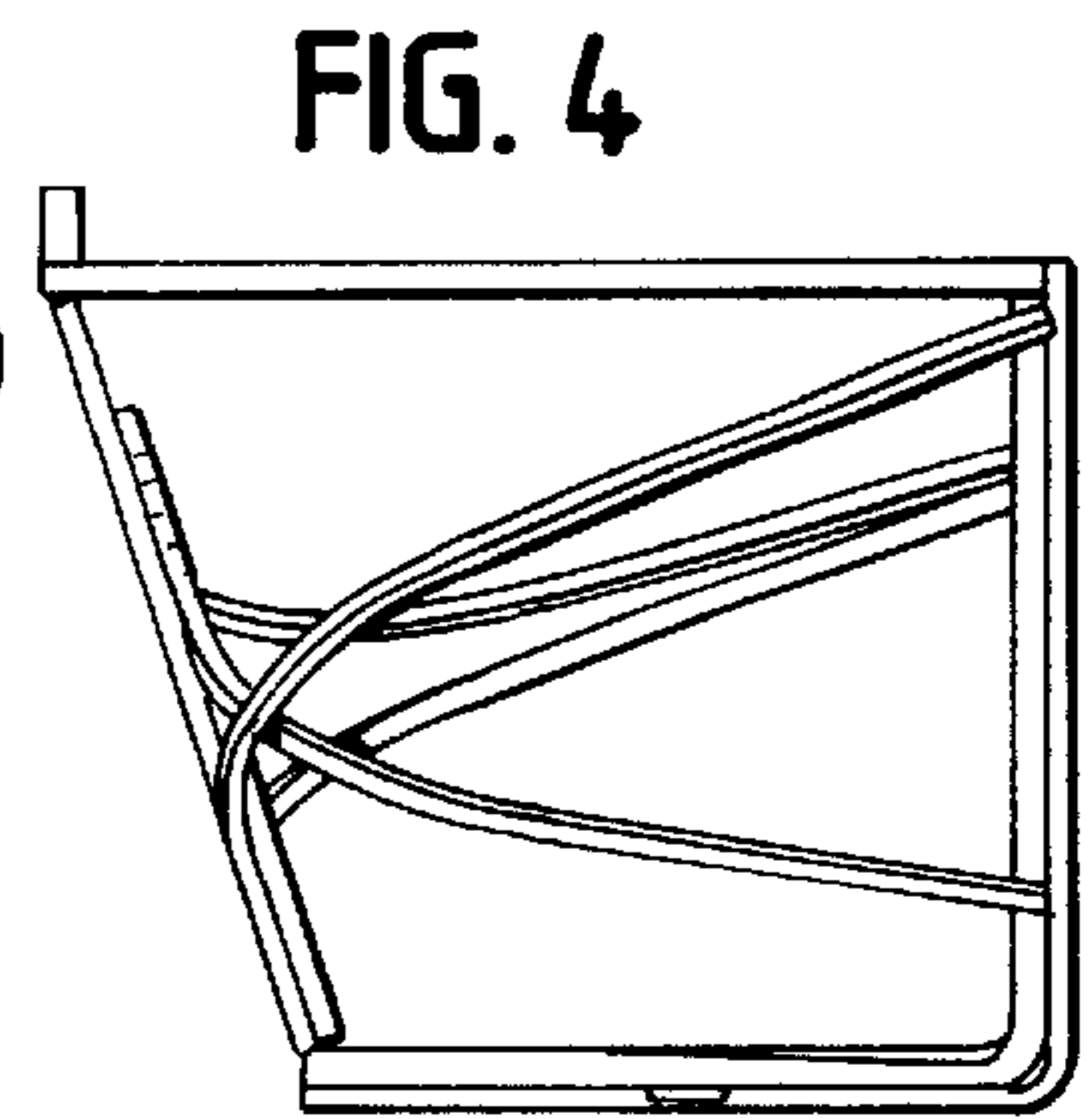
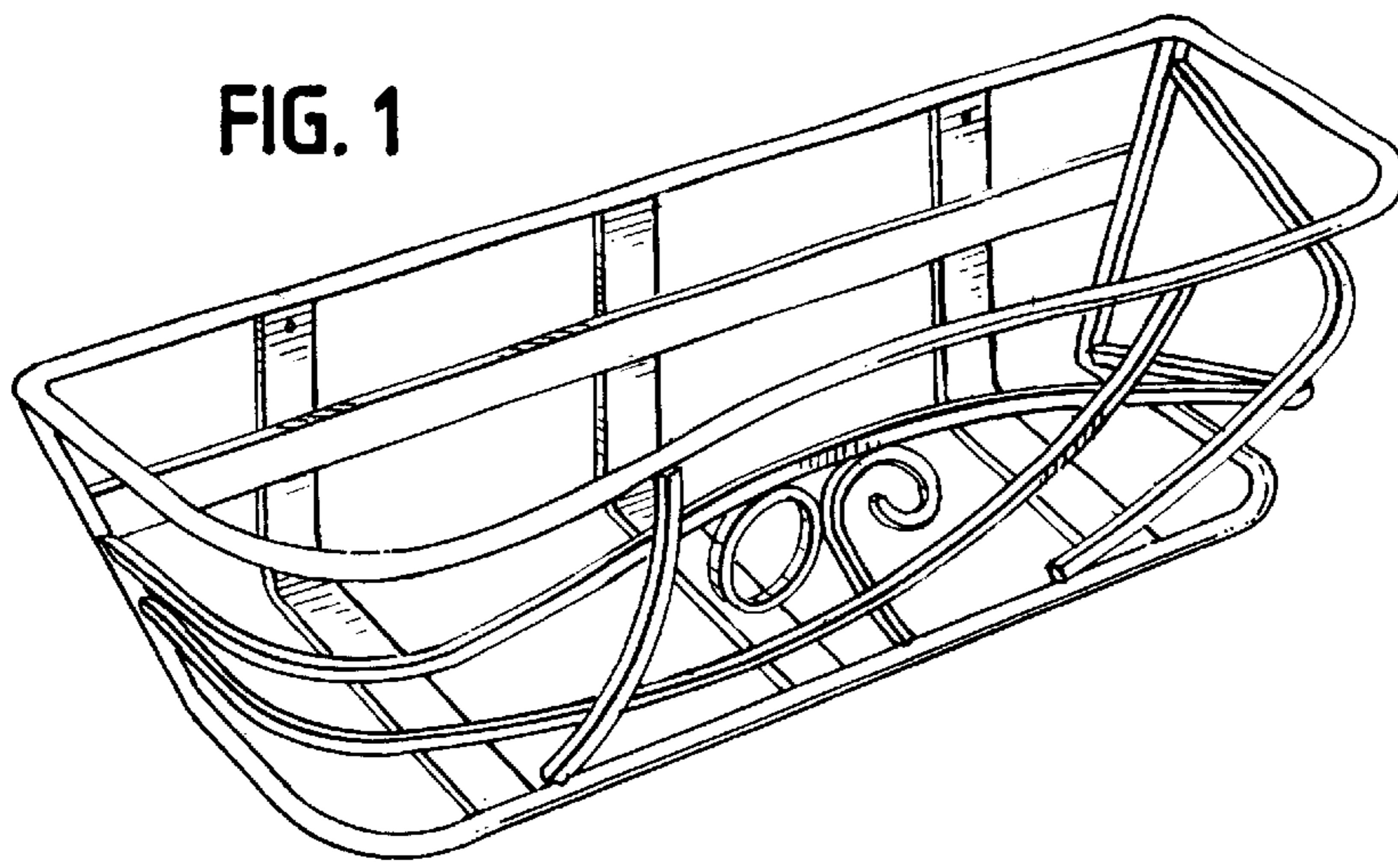


FIG. 5

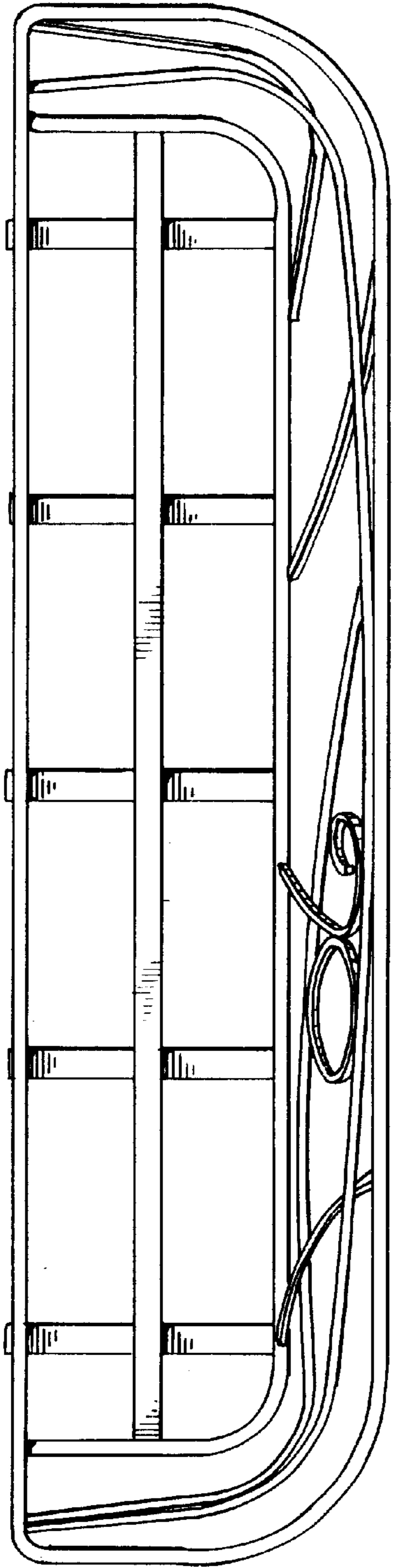


FIG. 6

