



US00D448320B1

(12) **United States Design Patent**  
**Jones et al.**

(10) **Patent No.:** **US D448,320 S**

(45) **Date of Patent:** **\*\* Sep. 25, 2001**

(54) **HANGING BASKET**

1,624,504 \* 4/1927 Pfarr ..... 47/67  
5,018,300 \* 5/1991 Chiu et al. .... 47/67

(75) Inventors: **Dominic H. Jones**, Columbus; **Donald J. Staufenberg**, Dublin, both of OH (US)

\* cited by examiner

(73) Assignee: **National Manufacturing Co.**, Sterling, IL (US)

*Primary Examiner*—Doris V. Coles  
*Assistant Examiner*—Mimosa De  
(74) *Attorney, Agent, or Firm*—Marshall, O’Toole, Gerstein, Murray & Borun

(\*\*) Term: **14 Years**

(57) **CLAIM**

(21) Appl. No.: **29/133,685**

The ornamental design for a hanging basket, as shown and described.

(22) Filed: **Dec. 4, 2000**

**DESCRIPTION**

(51) **LOC (7) Cl.** ..... **11-02**

(52) **U.S. Cl.** ..... **D11/148**

(58) **Field of Search** ..... D11/143, 144, D11/148, 149, 151, 153, 154; D6/403, 405, 513, 556, 557; 47/65.5, 65.7, 66.6, 67, 68, 72, 39, 41.01; 206/423; 211/85.23, 85.31, 106; 248/27.8, 127, 339

FIG. 1 is a perspective view of our new design of hanging basket;  
FIG. 2 is a top plan view of the hanging basket of FIG. 1;  
FIG. 3 is a front elevation view of the hanging basket of FIG. 1;  
FIG. 4 is a top plan view of an alternate embodiment of our new design for a hanging basket; and,  
FIG. 5 is a front elevation view of the hanging basket of FIG. 4.

(56) **References Cited**

**U.S. PATENT DOCUMENTS**

D. 405,289 \* 2/1999 Rosenberg ..... D6/403

**1 Claim, 3 Drawing Sheets**

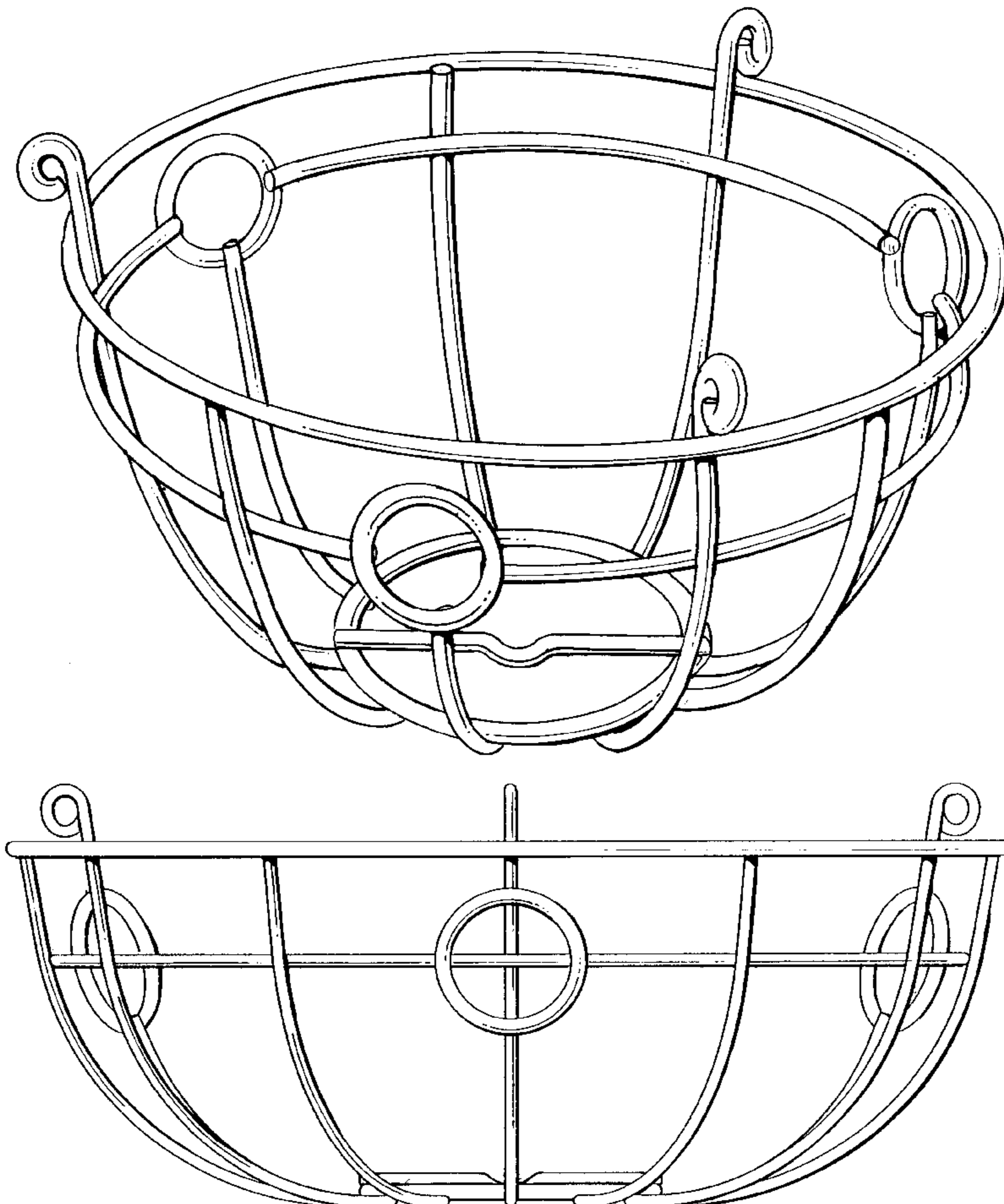


FIG. 1

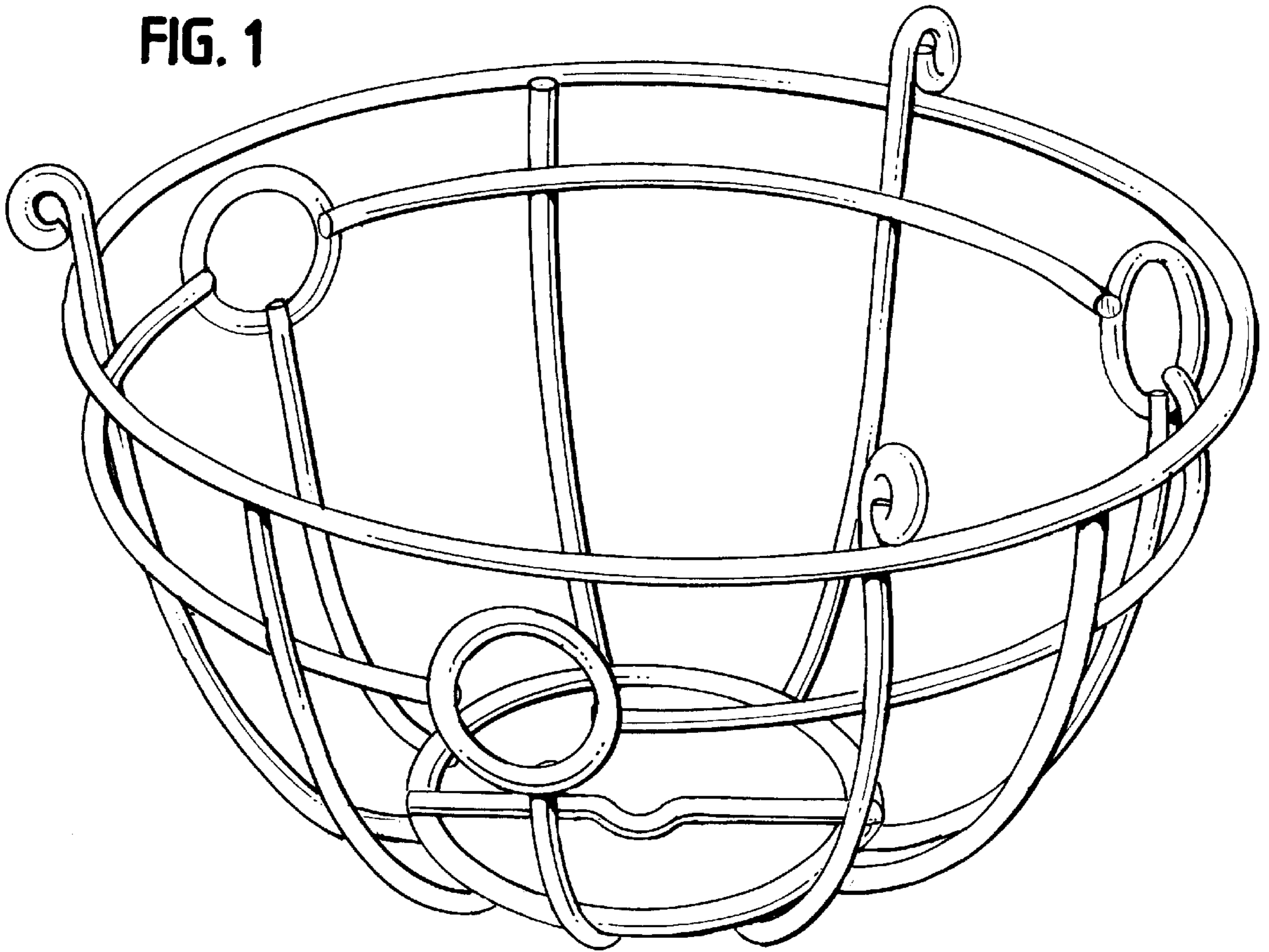


FIG. 2

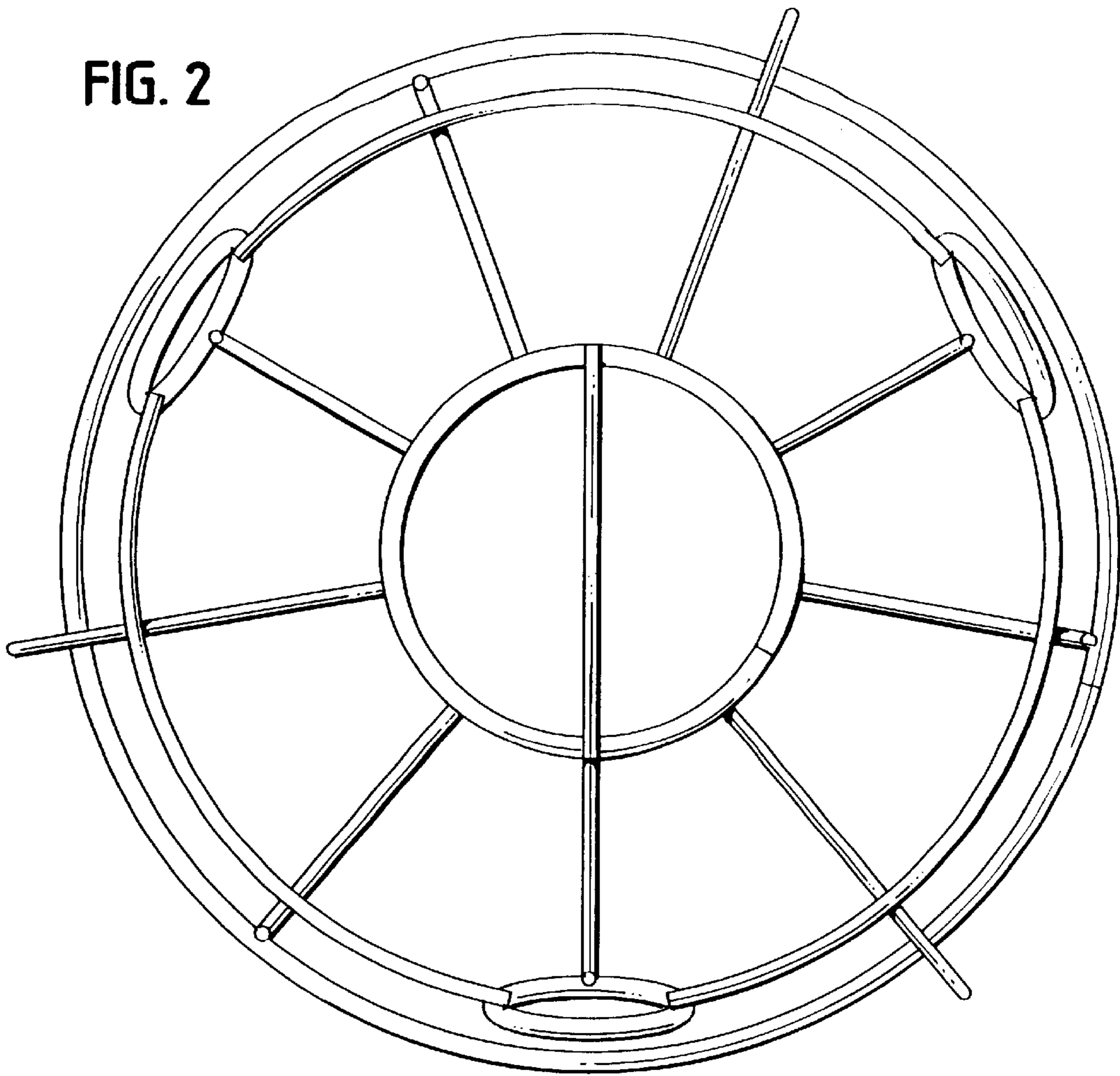


FIG. 3

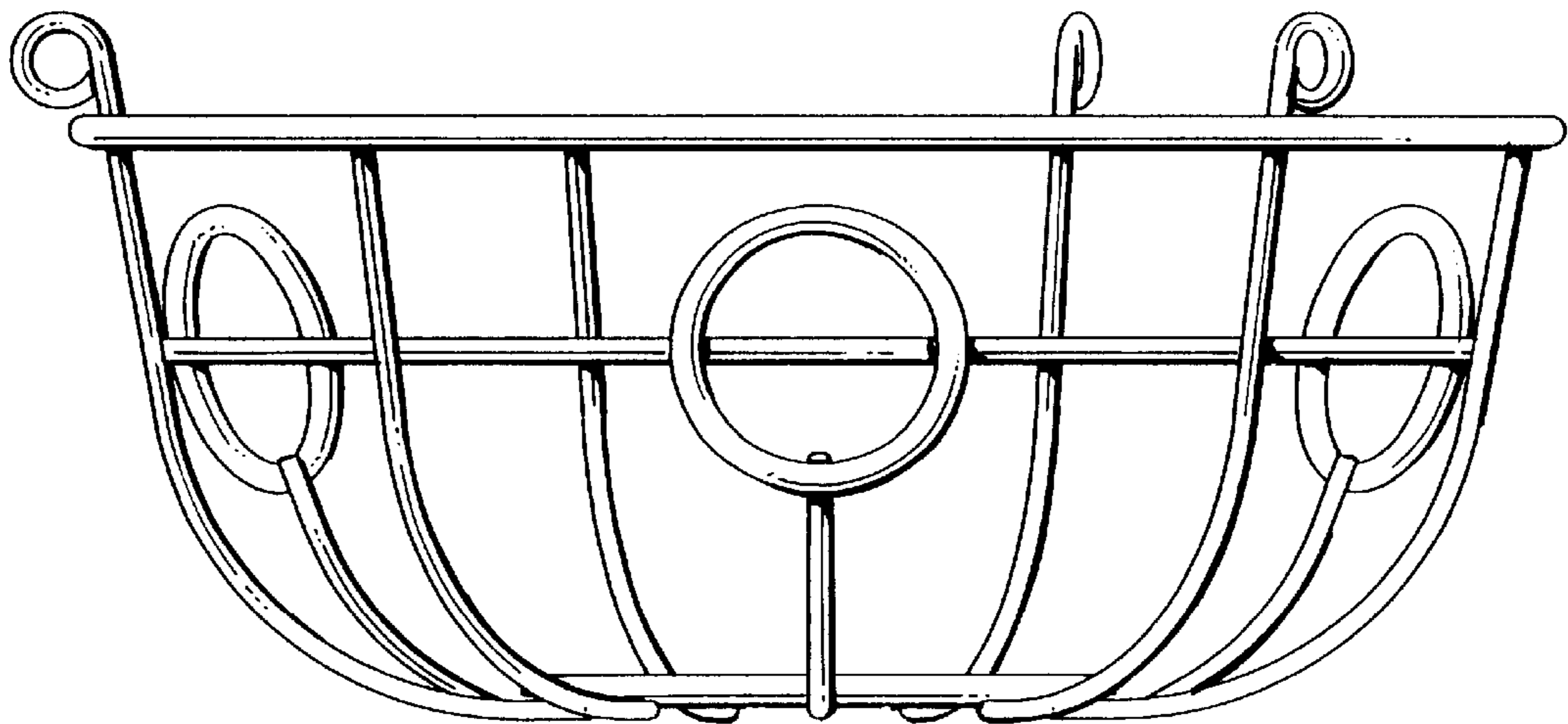


FIG. 4

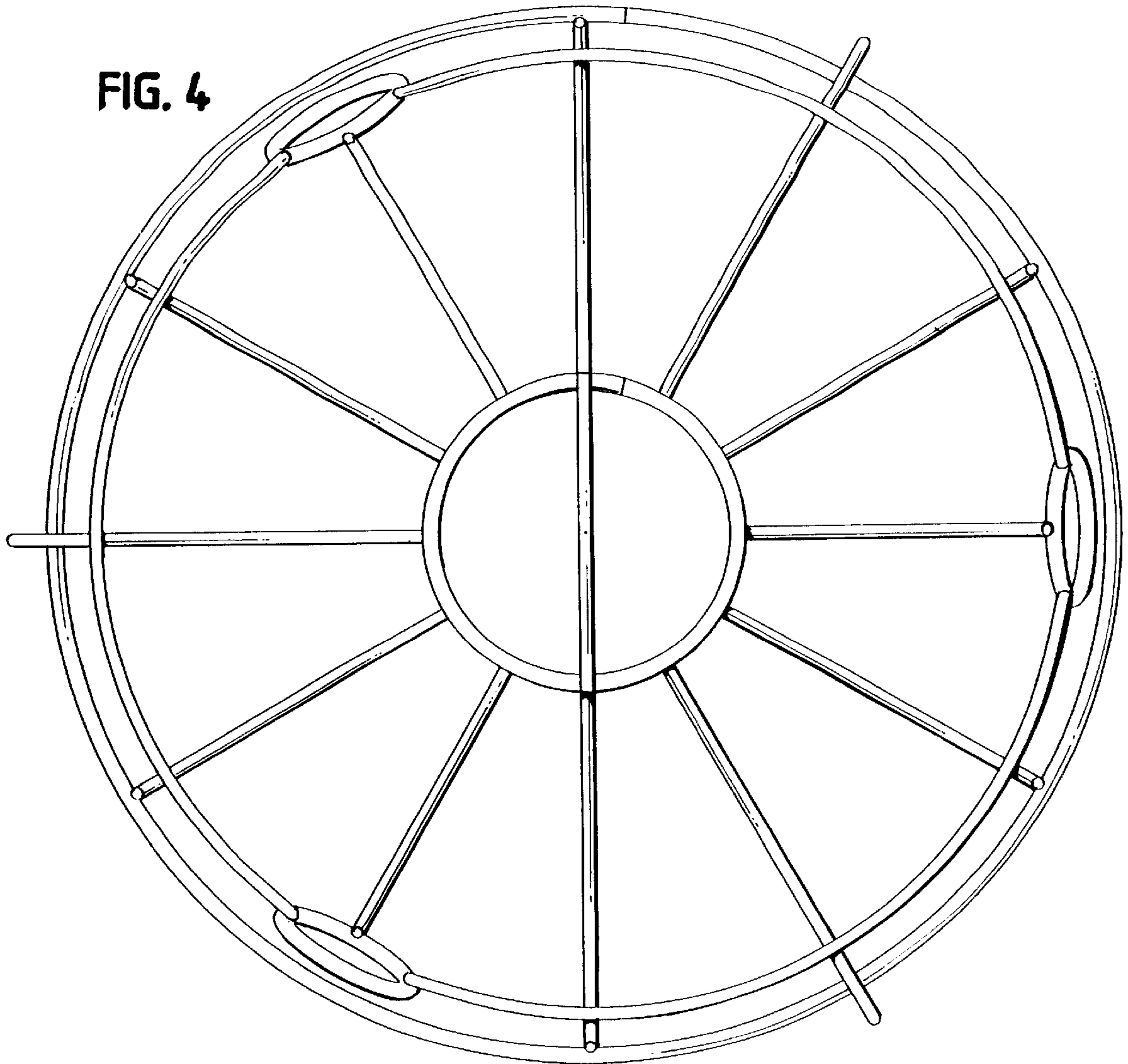


FIG. 5

