



US00D448318B1

(12) **United States Design Patent**
Chia et al.

(10) **Patent No.: US D448,318 S**

(45) **Date of Patent: ** Sep. 25, 2001**

(54) **JEWELRY COMPONENT**

(76) Inventors: **Meang Chia; Cheo Chia; Huy Kim Chia**, all of 412 W. 6th St., Suite 1104, Los Angeles, CA (US) 90014

(**) Term: **14 Years**

(21) Appl. No.: **29/116,859**

(22) Filed: **Jan. 11, 2000**

Related U.S. Application Data

(63) Continuation-in-part of application No. 29/110,327, filed on Sep. 3, 1999, which is a continuation-in-part of application No. 29/098,058, filed on Dec. 21, 1998, which is a division of application No. 29/070,204, filed on May 7, 1997, now Pat. No. Des. 406,247.

(51) **LOC (7) Cl. 11-01**

(52) **U.S. Cl. D11/93**

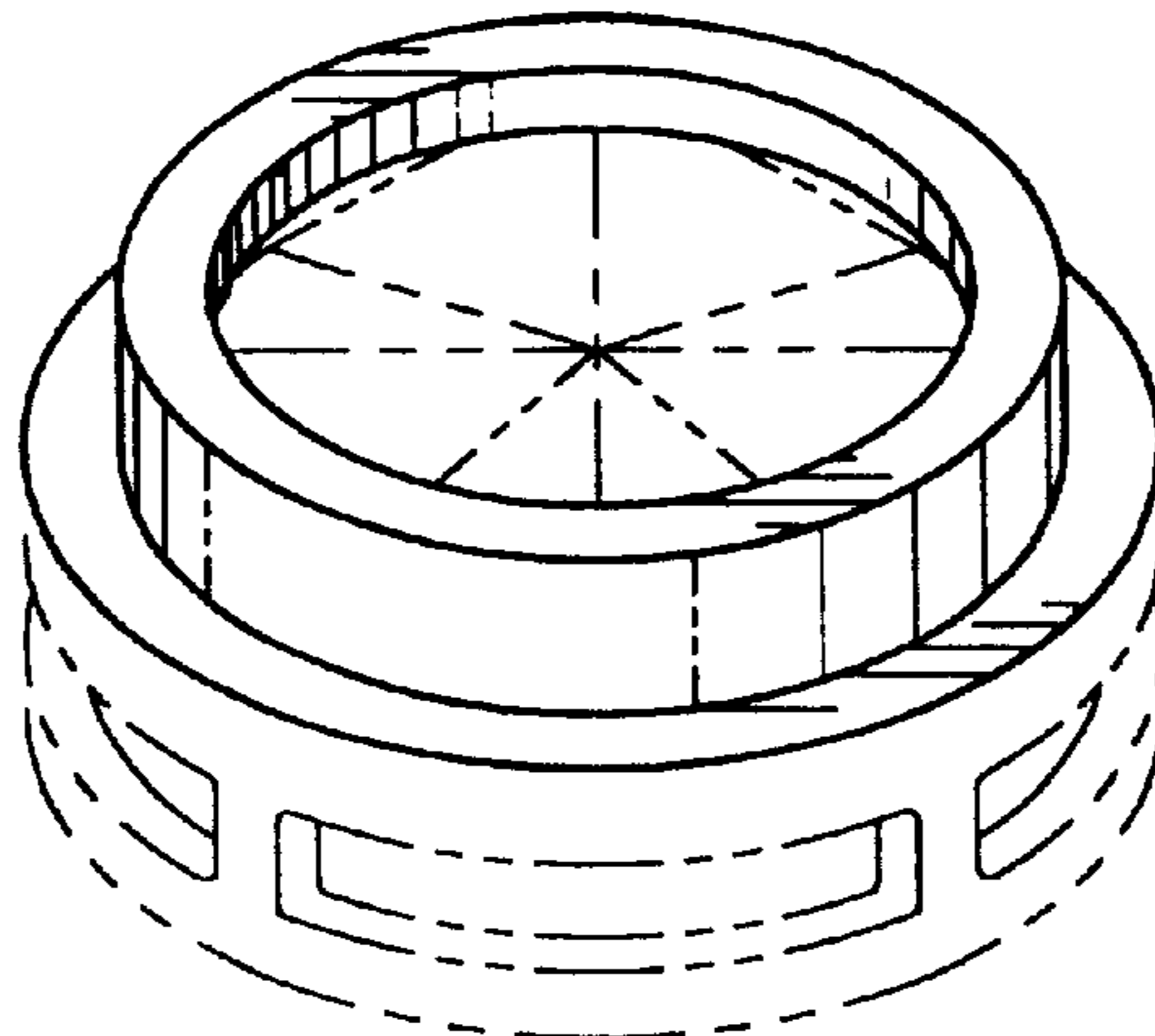
(58) **Field of Search D11/1-26, 35, D11/40, 54, 56, 76, 48, 89-94; 63/1.11, 2, 15, 27, 4, 32, 26; 59/80**

(56) **References Cited**

U.S. PATENT DOCUMENTS

D. 12,579	11/1881	Reynolds .	
D. 14,818	2/1884	Merril .	
D. 32,439	4/1900	Gay .	
D. 32,649	5/1900	McCutchen et al. .	
D. 42,514	5/1912	Meyers .	
D. 42,643	6/1912	Meyers .	
D. 48,950	4/1916	Rosenberger .	
D. 55,597	7/1920	Felger .	
D. 56,605	11/1920	Grasmuk .	
D. 56,607	11/1920	Grasmuk .	
D. 76,664	10/1928	Chase .	
D. 77,434	1/1929	Rice .	
D. 84,213	5/1931	Speidel .	
D. 110,568	7/1938	Garfinkel .	
D. 117,577	11/1939	Sand .	
D. 119,286	3/1940	Somers .	
D. 131,750	3/1942	Hobe .	
D. 131,847	3/1942	Hobe .	
D. 143,583	1/1946	Feingold	D3/4

D. 143,588	1/1946	Grun	D45/4
D. 143,750	2/1946	Philippe	D45/9
D. 144,901	6/1946	Braunstein	D45/4
D. 145,426	8/1946	Braunstein	D45/4
D. 146,779	5/1947	Slater	D45/4
D. 151,904	11/1948	Katz	D45/4
D. 155,873	11/1949	Chernow	D45/16
D. 156,650	12/1949	Pearce et al.	D45/4
D. 156,744	1/1950	Kent	D42/8
D. 159,528	8/1950	Philippe	D45/19
D. 159,582	8/1950	Boucher .	
D. 160,241	9/1950	Bardach	D45/16
D. 165,468	12/1951	Katz	D45/19
D. 176,664	1/1956	Katz	D45/16
D. 184,930	4/1959	Gonicberg	D45/4
D. 186,903	12/1959	Hess	D45/4
D. 202,723	11/1965	Gaston	D45/4
D. 257,017	9/1980	Barr	D11/16
D. 265,639	8/1982	Barr	D11/17
D. 266,954	11/1982	Gordan	D26/24
D. 277,466	2/1985	Chien	D11/41
D. 314,528	2/1991	Chia et al.	D11/93
D. 314,730	2/1991	Chia et al.	D11/93
D. 314,929	* 2/1991	Chia et al.	D11/6
D. 317,139	5/1991	Chia et al.	D11/93
D. 317,423	6/1991	Chia et al.	D11/93
D. 319,033	* 8/1991	Chia et al.	D11/93
D. 322,043	12/1991	Chia et al.	D11/93
D. 325,180	4/1992	Chia et al.	D11/93
D. 325,709	* 4/1992	Chia et al.	D11/93
D. 325,710	4/1992	Chia et al.	D11/93
D. 325,711	4/1992	Chia et al.	D11/93
D. 325,886	5/1992	Chia et al.	D11/93
D. 329,026	9/1992	Chia et al.	D11/93
D. 329,206	9/1992	Chia et al.	D11/93
D. 329,401	* 9/1992	Chia et al.	D11/93
D. 331,726	* 12/1992	Chia et al.	D11/93
D. 335,639	* 5/1993	Chia et al.	D11/93
D. 336,057	6/1993	Chia et al.	D11/93
D. 336,059	6/1993	Chia et al.	D11/93
D. 336,060	6/1993	Chia et al.	D11/93
D. 337,069	7/1993	Chia et al.	D11/93
D. 337,070	* 7/1993	Chia et al.	D11/93
D. 337,283	7/1993	Keshishian	D11/93
D. 337,546	7/1993	Keshishian	D11/93
D. 337,547	7/1993	Keshishian	D11/93
D. 338,852	* 8/1993	Keshishian	D11/93
D. 379,074	5/1997	Udiko	D11/91
D. 388,016	12/1997	Kejejian	D11/91



D. 406,247	3/1999	Chia et al.	D11/93
D. 418,445	1/2000	Chia et al.	D11/93
D. 418,446	1/2000	Chia et al.	D11/93
D. 423,981	5/2000	Chia et al.	D11/93
439,139	10/1890	Gaynor .	
569,495	10/1896	Gunther .	
572,237	12/1896	Adams .	
795,109	7/1905	Dover .	
813,084 *	2/1906	Dover	63/26
851,078	4/1907	Dunn .	
1,001,583	8/1911	Fairbrother .	
1,024,048	4/1912	Abel .	
1,153,362	9/1915	Wacha .	
1,189,497 *	7/1916	Schwartzman	59/80
1,344,365	6/1920	Wachenheimer .	
1,410,366	3/1922	Buchman .	
1,433,521	10/1922	Albanese .	
1,443,654	1/1923	Schmidt .	
1,467,468	9/1923	Blanchard .	
1,556,465	10/1925	Wendel .	
1,570,932	1/1926	Anderson et al. .	
1,589,423	6/1926	Payton .	
1,701,610	2/1929	Forstner .	
1,710,660	4/1929	Guyot .	
1,842,427	1/1932	Sammartino .	
1,854,958	4/1932	Santosuosso .	
1,981,696	11/1934	Harper	41/10
2,273,227	2/1942	Simmons	63/26
2,526,134	10/1950	Henry	63/32
2,538,090 *	1/1951	Ferragamo	63/4
2,584,207	2/1952	Holl	63/27
2,634,593	4/1953	Moretti	63/4
2,852,923	9/1958	Gamelsky	63/20
3,025,820	3/1962	Rosenthal	113/116
3,670,524	6/1972	Korwin	63/18
4,154,282	5/1979	Kull	164/9
4,165,574	8/1979	Sciotti	40/21 R
4,399,910	8/1983	Gutentag	206/0.82
4,551,993	11/1985	Nagahori	63/31
4,566,294	1/1986	Brzozowski	63/15
4,763,489	8/1988	Strong	63/4
4,781,038	11/1988	Branca et al.	63/26
5,056,337	10/1991	Nhaissi	63/26
5,355,698	10/1994	Edmark	63/29.1
5,365,754	11/1994	Nalbandian	63/26
5,694,791 *	12/1997	Exposito	63/3

FOREIGN PATENT DOCUMENTS

238894	8/1945	(CH) .	
0 063 751 A1	11/1982	(EP)	A44C/3/00
608150	7/1926	(FR)	17/5
709603	8/1931	(FR)	17/5
1 319 354	5/1963	(FR) .	
1 077 460	7/1967	(GB) .	
1 200 257	7/1970	(GB) .	
2 070 344 A	9/1981	(GB) .	
2 077 441 A	12/1981	(GB) .	
00/38551	7/2000	(WO)	A44C/17/02

OTHER PUBLICATIONS

All Karats International; Edizioni, Primavera–Estate/Spring–Summer, Sixth Edition; “Diamond Necklace”; 2 pages including cover (1998).
 Variety Gem Co., Inc.; *JCK Catalog* May 1997; Items N5526, N5520A, N5520B; one page (May 1997).
 Wards, Gold Hoop (Earring) with Diamond Cut Ovals, Item #459312000; 4 pages. no date.
 “Charms” catalog, p. 136, Item #136–20, by Americas GOLD, 650 South Hill St., Los Angeles, CA 90014 no date.

“Liberty Collections” catalog, pp. 4 and 21, by Liberty I. Exchange, 333 Washington St., #203–1, Boston, MA 02108 (no date).
 “Diamond Flower” jewelry by S & R Designs, Inc., Marlton NJ (no date).
 Items #P10529, #84622, *National Jeweler*, May 16, 1997.
 Janet Alix necklace, *Jewelers’ Circular Keystone*, May 1997.
 Catalog Item #4D, Skalet Gold, 3600 N. Talman Ave., Chicago, IL 60618 no date.
 Caroline Ballou Collection, June Las Vegas Show, K25–K27, and Barnett Robinson, Inc., June Las Vegas Show, Galleria #10 no date.
 Item N362, P.Q.C. Jewelry, *National Jeweler*, Jun. 1, 1998, p. 142.
 “Love Tears” collection, by Studs, Inc., 42 West 48th Street, New York, NY 10036 no date.
 Slide Pendent, by Superior Diamond Cutters Inc., 589 Fifth Ave., New York, NY 10017.
 Uni–Creation Inc., Emby International Inc. collection, 589 Fifth Ave., New York, NY 10017.
 A Promotional Supplement to *JCK*, May 1997, pp. 178–179.
 Item SS424, Corona Jewelry Company, 16 Ripley Ave., Toronto, Ontario, M6S 3N9, Canada.
 “Bezel–set Jewelry,” California Gold Center, 606 South Hill Street, Los Angeles, CA 90014.
 “Partners” fashion jewelry, Cache fashion watches, Mervyn’s California catalog flyer, 1998, p. 11.
 Maty, Collection Automne—Hiver 97–98, *Valeur* 30F, No. 76.
 “Rio Grande: Gems & Findings”, Gold earrings: 14K yellow back–set French wire earrings Die Struck, Item “M”, p. 90. *Robinson’s May*, Earrings, Item No. 290131409, Purchased Apr. 18, 1999.
A&A Jewelry Tools & Findings Catalog, p. G92.
The Gold Book, Oro America, Item Nos. HE.142(A) 2.37gr.(89), HE.141 (A) 2.37gr. (89), HE.143 (A) 2.89gr.(108), p. 18, (1996).
The Multi–Color Gold Jewelry Book, Oro America, p. 1, Earring Items; ETR.014; ETR.022; ETLB.001.
 Crafford Precision Products Co., Catalog “Laser Spot–Welding Systems,” One Industrial Court, Riverside, RI 02915.
 Gervais, J. “A Little Light Welding” *AJM*, May 1998.
Fancy Catalog, Item Nos. 11111, 11112, 11114, p. 111.
 Jaha Jewelry, Inc., Item Nos. J2–1, J3–15, J6–9, J6–13, J6–16, J10–1, J10–2, J13–19 (640 S. Hill St., #748, Los Angeles, CA 90014).

* cited by examiner

Primary Examiner—Ralf Seifert
 (74) Attorney, Agent, or Firm—Ladas & Parry

(57) CLAIM

The ornamental design for a jewelry component, as shown and described.

DESCRIPTION

Reference is made to Applicants’: Application No. 09/224, 936 filed Dec. 31, 1998 entitled “Decorative Jewelry Article”; Application No. 09/383,814 filed Aug. 26, 1999 entitled “Decorative Jewelry Item”; and U.S. Document Disclosure Certificate No. 459913, recorded Jul. 30, 1999.

FIG. 1 is a perspective view of the first embodiment of a jewelry component showing our new design, the broken line showing of the top inset portion and bottom portion of the jewelry component being for illustrative purposes only and forms no part of the claimed design;

FIG. 2 is a top plan view of the first embodiment;

FIG. 3 is a side elevational view of the first, second, third, fourth, and fifth embodiments, the opposite view being a mirror image, the broken line showing of the bottom portion of the jewelry component being for illustrative purposes only and forms no part of the claimed design;

FIG. 4 is a perspective view of a second embodiment of a jewelry component showing our new design, the broken line showing of the bottom portion of the jewelry component being for illustrative purposes only and forms no part of the claimed design;

FIG. 5 is a top plan view of the second embodiment;

FIG. 6 is a perspective view of a third embodiment of a jewelry component showing our new design, the broken line showing of the bottom portion of the jewelry component being for illustrative purposes only and forms no part of the claimed design;

FIG. 7 is a top plan view of the third embodiment;

FIG. 8 is a perspective view of a fourth embodiment of a jewelry component showing our new design, the broken line showing of the bottom portion of the jewelry component being for illustrative purposes only and forms no part of the claimed design;

FIG. 9 is a top plan view of the fourth embodiment;

FIG. 10 is a perspective view of a fifth embodiment of a jewelry component showing our new design, the broken line showing of the bottom portion of the jewelry component being for illustrative purposes only and forms no part of the claimed design;

FIG. 11 is a top plan view of the fifth embodiment;

FIG. 12 is a perspective view of a sixth embodiment of a jewelry component showing our new design, the broken line showing of the top inset portion and bottom portion of the jewelry component being for illustrative purposes only and forms no part of the claimed design;

FIG. 13 is a top plan view of the sixth embodiment;

FIG. 14 is an enlarged partial cross sectional view taken along the line 14—14 in FIG. 13, presented to show only the feature of the sloping top, the broken line showing being for illustrative purposes only and forms no part of the claimed design;

FIG. 15 is a perspective view of a seventh embodiment of a jewelry component showing our new design, the broken line showing of the bottom portion of the jewelry component being for illustrative purposes only and forms no part of the claimed design;

FIG. 16 is a top plan view of the seventh embodiment;

FIG. 17 is a front elevational view of the sixth, seventh, eighth, ninth, and tenth embodiments, the opposite view being a mirror image, the broken line showing of the bottom portion of the jewelry component being for illustrative purposes only and forms no part of the claimed design;

FIG. 18 is an enlarged partial cross sectional view taken along the line 18—18 in FIGS. 16, 20, 22, and 24, presented to show only the feature of the sloping top, the broken line showing of the bottom portion of the jewelry component being for illustrative purposes only and forms no part of the claimed design;

FIG. 19 is a perspective view of an eighth embodiment of a jewelry component showing our new design, the broken line showing of the bottom portion of the jewelry component being for illustrative purposes only and forms no part of the claimed design;

FIG. 20 is a top plan view of the eighth embodiment;

FIG. 21 is a perspective view of a ninth embodiment of a jewelry component showing our new design, the broken line showing of the bottom portion of the jewelry component being for illustrative purposes only and forms no part of the claimed design;

FIG. 22 is a top plan view of the ninth embodiment;

FIG. 23 is a perspective view of a tenth embodiment of a jewelry component showing our new design, the broken line showing of the bottom portion of the jewelry component being for illustrative purposes only and forms no part of the claimed design;

FIG. 24 is a top plan view of the tenth embodiment;

FIG. 25 is a perspective view of an eleventh embodiment of a jewelry component showing our new design, the broken line showing of the top inset portion and bottom portion of the jewelry component being for illustrative purposes only and forms no part of the claimed design;

FIG. 26 is a top plan view of the eleventh embodiment;

FIG. 27 is a front elevational view of the eleventh, twelfth, thirteenth, fourteenth, and fifteenth embodiments, the opposite view being a mirror image, the broken line showing of the bottom portion of the jewelry component being for illustrative purposes only and forms no part of the claimed design;

FIG. 28 is a perspective view of a twelfth embodiment of a jewelry component showing our new design, the broken line showing of the bottom portion of the jewelry component being for illustrative purposes only and forms no part of the claimed design;

FIG. 29 is a top plan view of the twelfth embodiment;

FIG. 30 is a perspective view of a thirteenth embodiment of a jewelry component showing our new design, the broken line showing of the bottom portion of the jewelry component being for illustrative purposes only and forms no part of the claimed design;

FIG. 31 is a top plan view of the thirteenth embodiment;

FIG. 32 is a perspective view of a fourteenth embodiment of a jewelry component showing our new design, the broken line showing of the bottom portion of the jewelry component being for illustrative purposes only and forms no part of the claimed design;

FIG. 33 is a top plan view of the fourteenth embodiment;

FIG. 34 is a perspective view of a fifteenth embodiment of a jewelry component showing our new design, the broken line showing of the bottom portion of the jewelry component being for illustrative purposes only and forms no part of the claimed design;

FIG. 35 is a top plan view of the fifteenth embodiment;

FIG. 36 is a perspective view of a sixteenth embodiment of a jewelry component showing our new design, the broken line showing of the top inset portion and bottom portion of the jewelry component being for illustrative purposes only and forms no part of the claimed design;

FIG. 37 is a top plan view of the sixteenth embodiment;

FIG. 38 is an enlarged partial cross sectional view taken along the line 38—38 in FIG. 37, presented to show only the feature of the sloping top, the broken line showing of the jewelry component being for illustrative purposes only and forms no part of the claimed design;

FIG. 39 is a perspective view of a seventeenth embodiment of a jewelry component showing our new design, the broken line showing of the bottom portion of the jewelry component being for illustrative purposes only and forms no part of the claimed design;

FIG. 40 is a top plan view of the seventeenth embodiment;

FIG. 41 is a front elevational view of the sixteenth, seventeenth, eighteenth, nineteenth, and twentieth embodiments, the opposite view being a mirror image, the broken line showing of the bottom portion of the jewelry component being for illustrative purposes only and forms no part of the claimed design;

FIG. 42 is an enlarged partial cross sectional view taken along the line 42—42 in FIGS. 40, 44, 46, and 48, presented to show only the feature of the sloping top, the broken line showing of the bottom portion of the jewelry component being for illustrative purposes only and forms no part of the claimed design;

FIG. 43 is a perspective view of an eighteenth embodiment of a jewelry component showing our new design, the broken line showing of the bottom portion of the jewelry component being for illustrative purposes only and forms no part of the claimed design;

FIG. 44 is a top plan view of the eighteenth embodiment;

FIG. 45 is a perspective view of a nineteenth embodiment of a jewelry component showing our new design, the broken line showing of the bottom portion of the jewelry component being for illustrative purposes only and forms no part of the claimed design;

FIG. 46 is a top plan view of the nineteenth embodiment;

FIG. 47 is a perspective view of a twentieth embodiment of a jewelry component showing our new design, the broken line showing of the bottom portion of the jewelry component being for illustrative purposes only and forms no part of the claimed design;

FIG. 48 is a top plan view of the twentieth embodiment;

FIG. 49 is a perspective view of a twenty-first embodiment of a jewelry component showing our new design, the broken line showing of the top inset portion and in the bottom portion of the jewelry component being for illustrative purposes only and forms no part of the claimed design;

FIG. 50 is a top plan view of the twenty-first embodiment;

FIG. 51 is a front elevational view of the twenty-first, twenty-second, twenty-third, twenty-fourth, and twenty-fifth embodiments, the opposite view being a mirror image, the broken line showing in the bottom portion of the jewelry component being for illustrative purposes only and forms no part of the claimed design;

FIG. 52 is a perspective view of a twenty-second embodiment of a jewelry component showing our new design, the broken line showing in the bottom portion of the jewelry component being for illustrative purposes only and forms no part of the claimed design;

FIG. 53 is a top plan view of the twenty-second embodiment;

FIG. 54 is a perspective view of a twenty-third embodiment of a jewelry component showing our new design, the broken line showing in the bottom portion of the jewelry component being for illustrative purposes only and forms no part of the claimed design;

FIG. 55 is a top plan view of the twenty-third embodiment;

FIG. 56 is a perspective view of a twenty-fourth embodiment of a jewelry component showing our new design, the broken line showing in the bottom portion of the jewelry component being for illustrative purposes only and forms no part of the claimed design;

FIG. 57 is a top plan view of the twenty-fourth embodiment;

FIG. 58 is a perspective view of a twenty-fifth embodiment of a jewelry component showing our new design, the broken line showing in the bottom portion of the jewelry component being for illustrative purposes only and forms no part of the claimed design;

FIG. 59 is a top plan view of the twenty-fifth embodiment;

FIG. 60 is a perspective view of a twenty-sixth embodiment of a jewelry component showing our new design, the broken line showing of the top inset portion and in the bottom portion of the jewelry component being for illustrative purposes only and forms no part of the claimed design;

FIG. 61 is a top plan view of the twenty-sixth embodiment;

FIG. 62 is an enlarged partial cross sectional view taken along the line 62—62 in FIG. 61, presented to show only the feature of the sloping top, the broken line showing in the bottom portion of the jewelry component being for illustrative purposes only and forms no part of the claimed design;

FIG. 63 is a perspective view of a twenty-seventh embodiment of a jewelry component showing our new design, the broken line showing in the bottom portion of the jewelry component being for illustrative purposes only and forms no part of the claimed design;

FIG. 64 is a top plan view of the twenty-seventh embodiment;

FIG. 65 is a front elevational view of the twenty-sixth, twenty-seventh, twenty-eighth, twenty-ninth and thirtieth embodiments, the opposite view being a mirror image, the broken line showing in the bottom portion of the jewelry component being for illustrative purposes only and forms no part of the claimed design;

FIG. 66 is an enlarged partial cross sectional view taken along the line 66—66 in FIGS. 64, 68, 70, and 72, presented to show only the feature of the sloping top, the broken line showing in the bottom portion of the jewelry component being for illustrative purposes only and forms no part of the claimed design;

FIG. 67 is a perspective view of a twenty-eighth embodiment of a jewelry component showing our new design, the broken line showing in the bottom portion of the jewelry component being for illustrative purposes only and forms no part of the claimed design;

FIG. 68 is a top plan view of the twenty-eighth embodiment;

FIG. 69 is a perspective view of an twenty-ninth embodiment of a jewelry component showing our new design, the broken line showing in the bottom portion of the jewelry component being for illustrative purposes only and forms no part of the claimed design;

FIG. 70 is a top plan view of the twenty-ninth embodiment; FIG. 71 is a perspective view of an thirtieth embodiment of a jewelry component showing our new design, the broken line showing in the bottom portion of the jewelry component being for illustrative purposes only and forms no part of the claimed design; and,

FIG. 72 is a top plan view of the thirtieth embodiment.

1 Claim, 8 Drawing Sheets

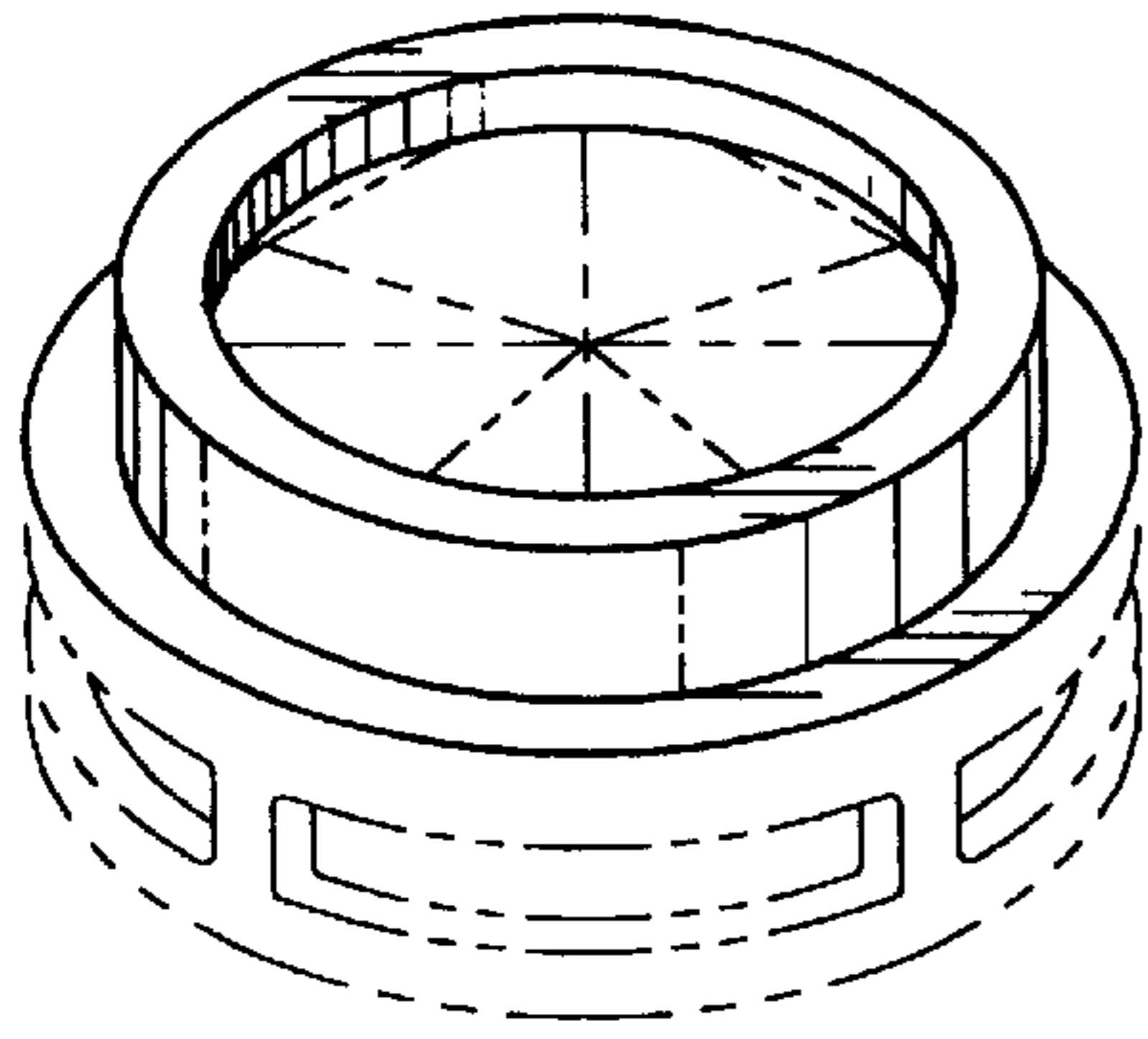


FIG. 1

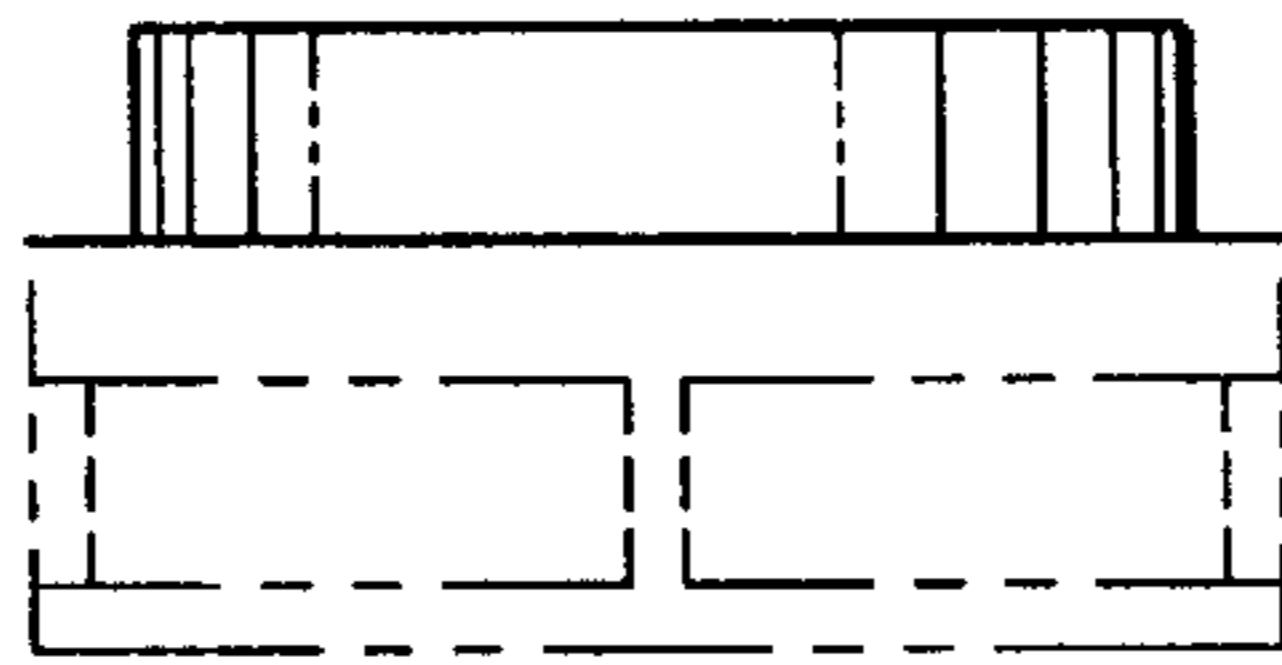


FIG. 3

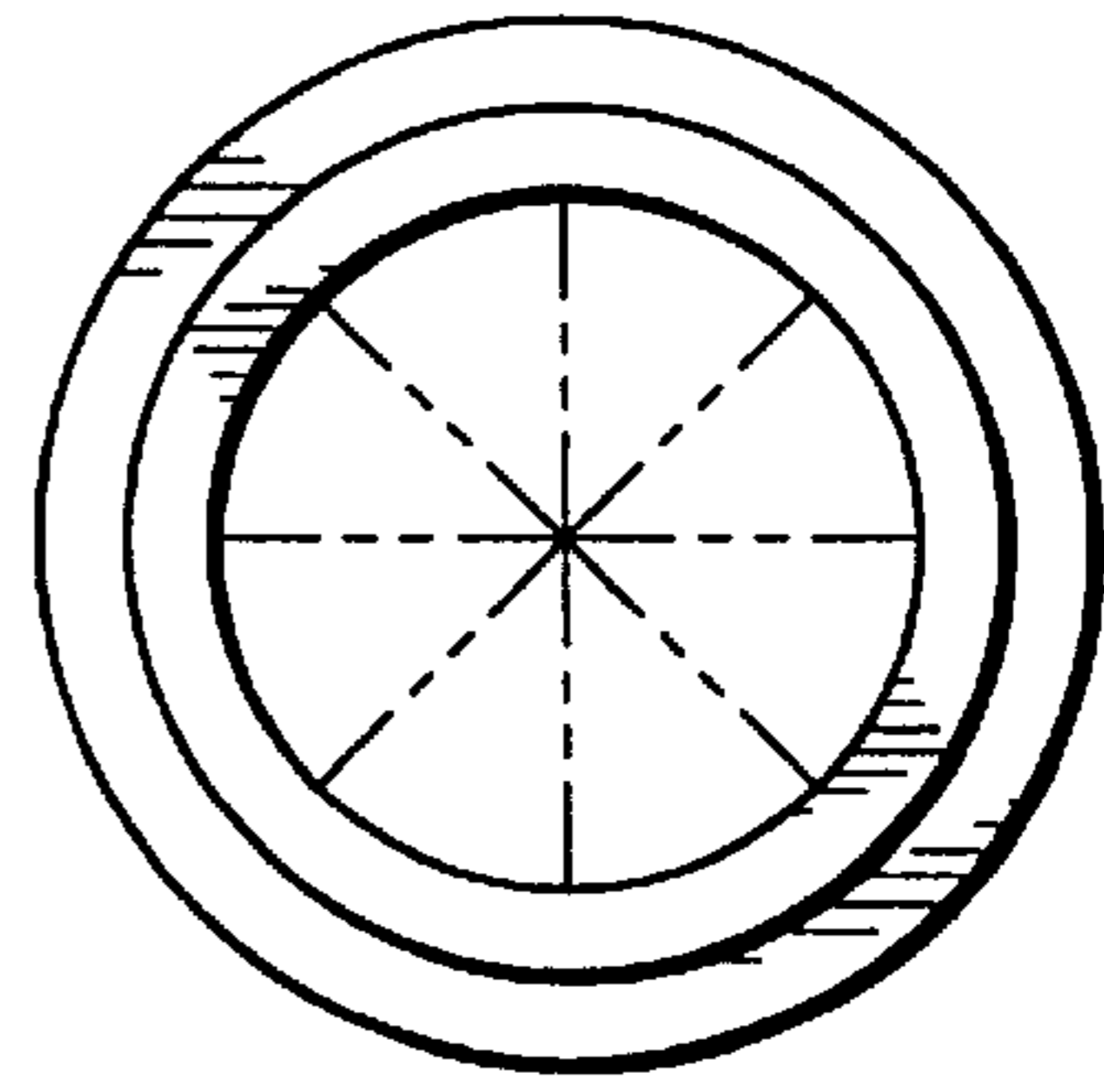


FIG. 2

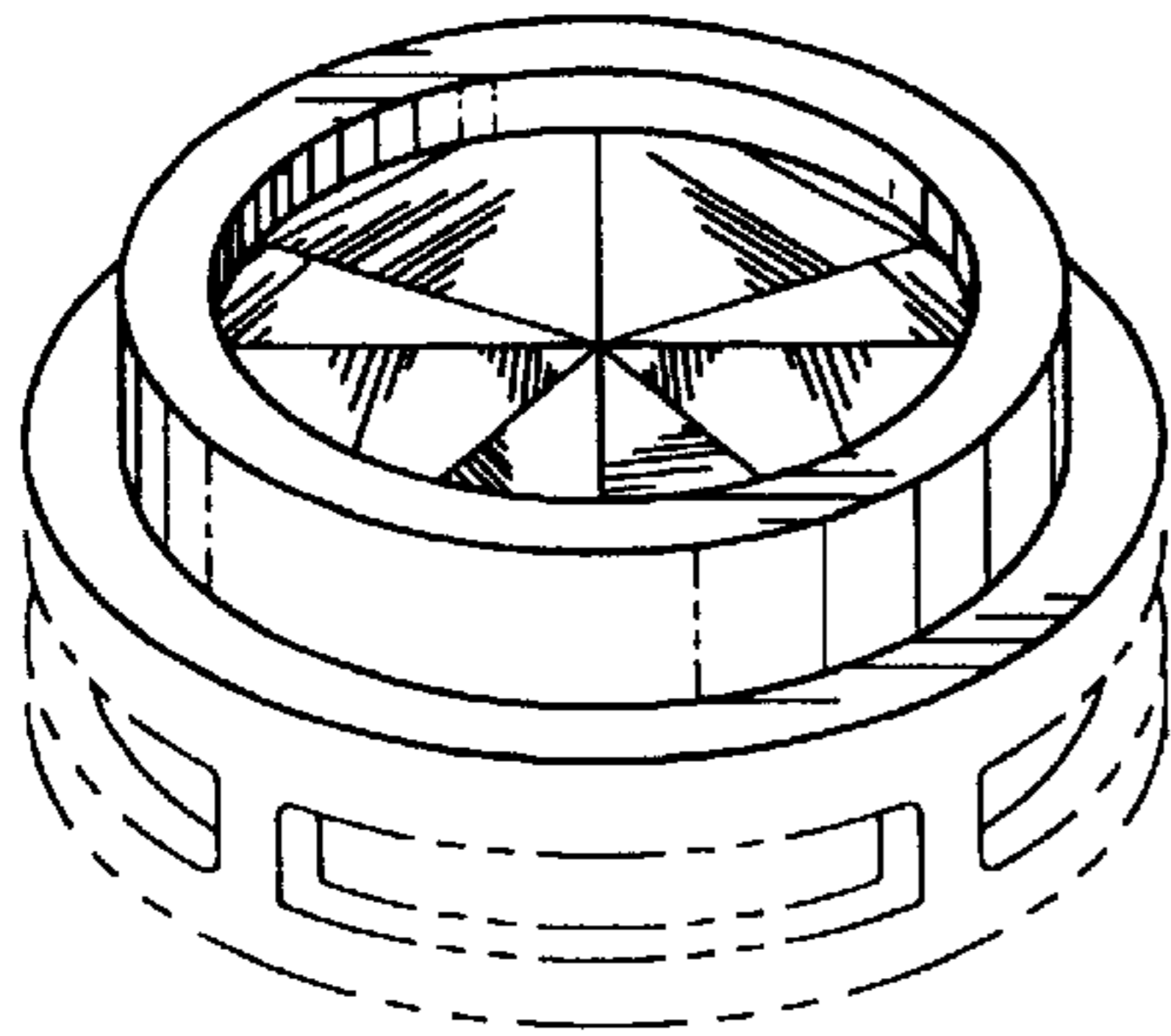


FIG. 4

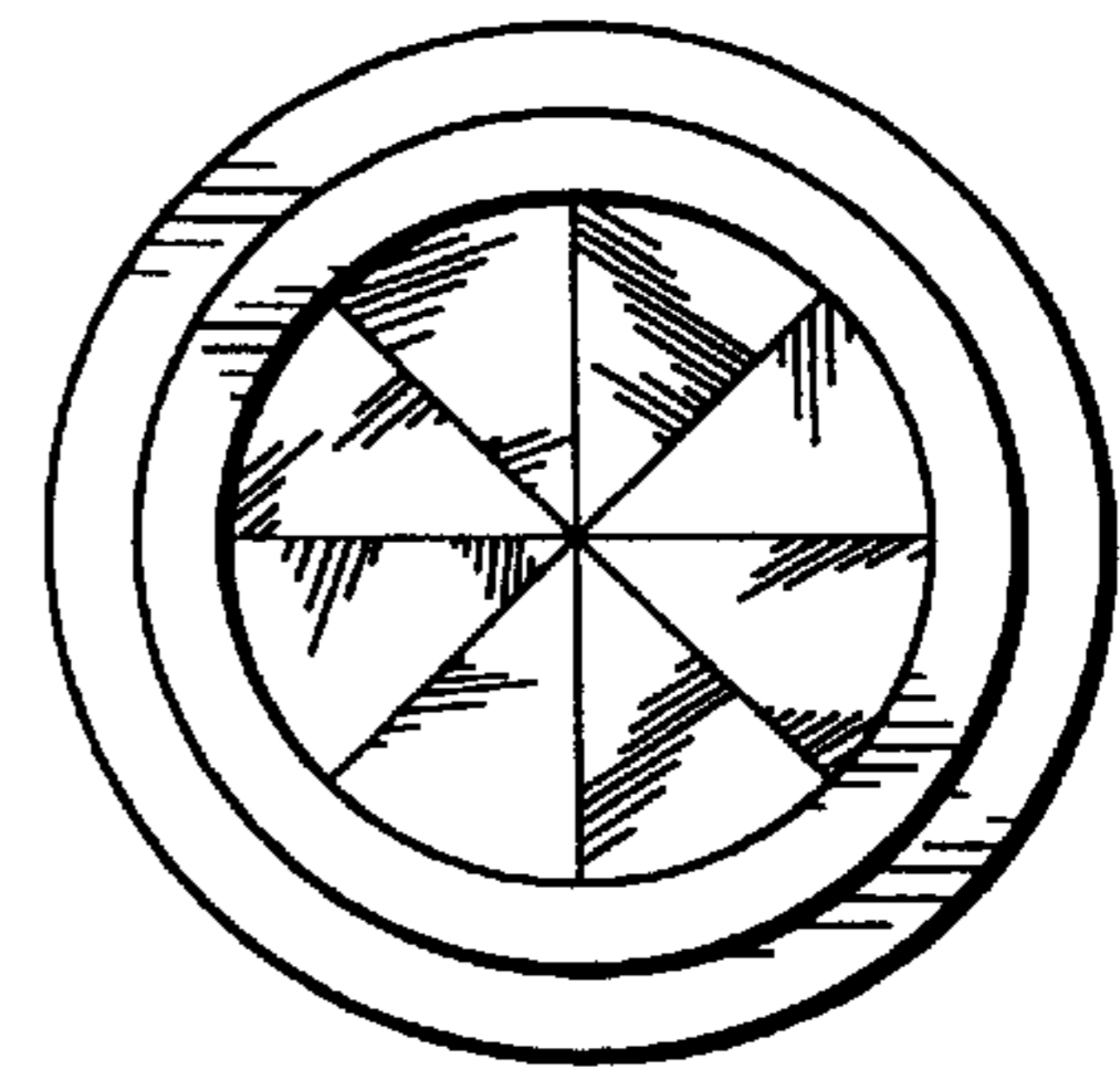


FIG. 5

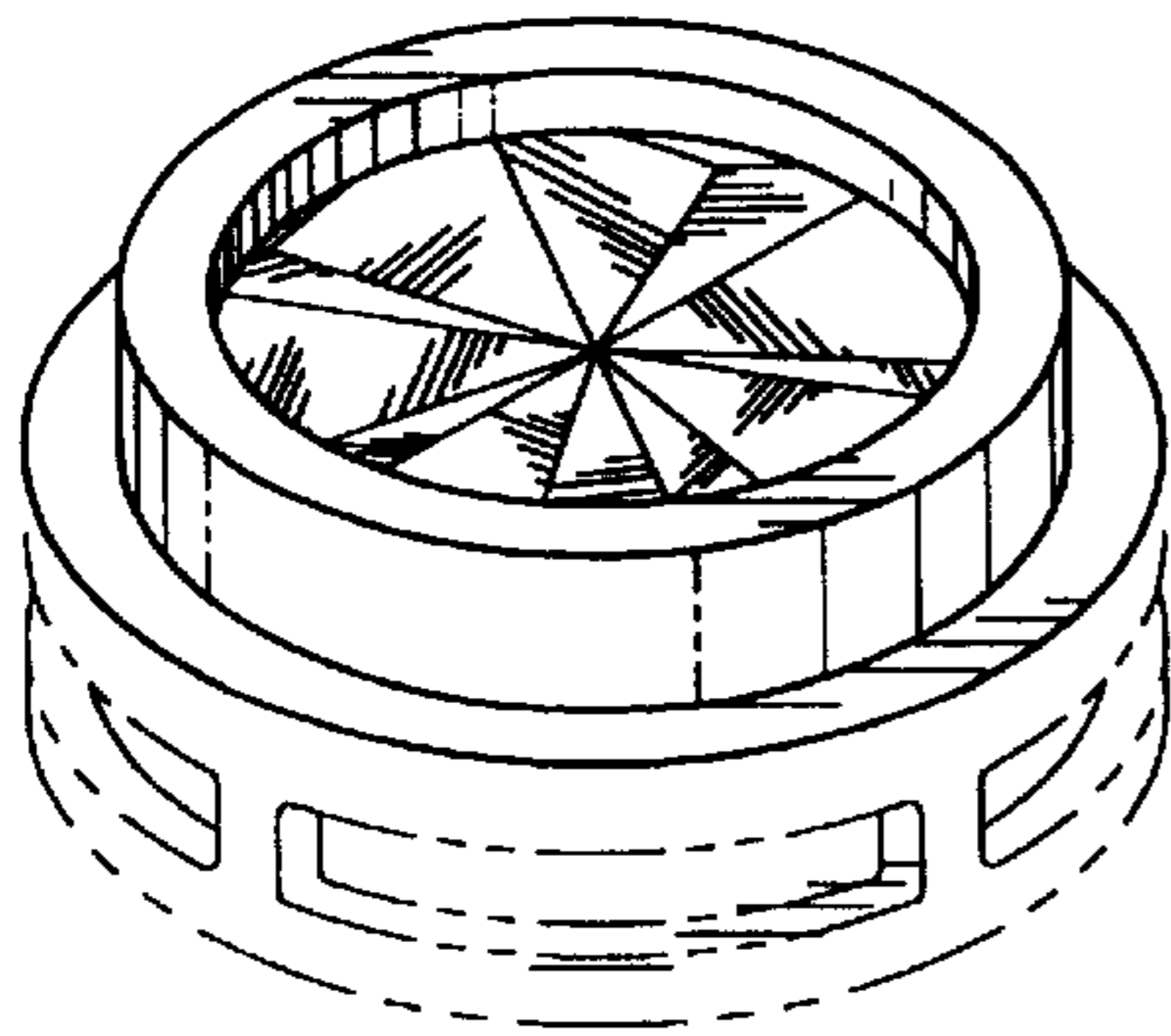


FIG. 6

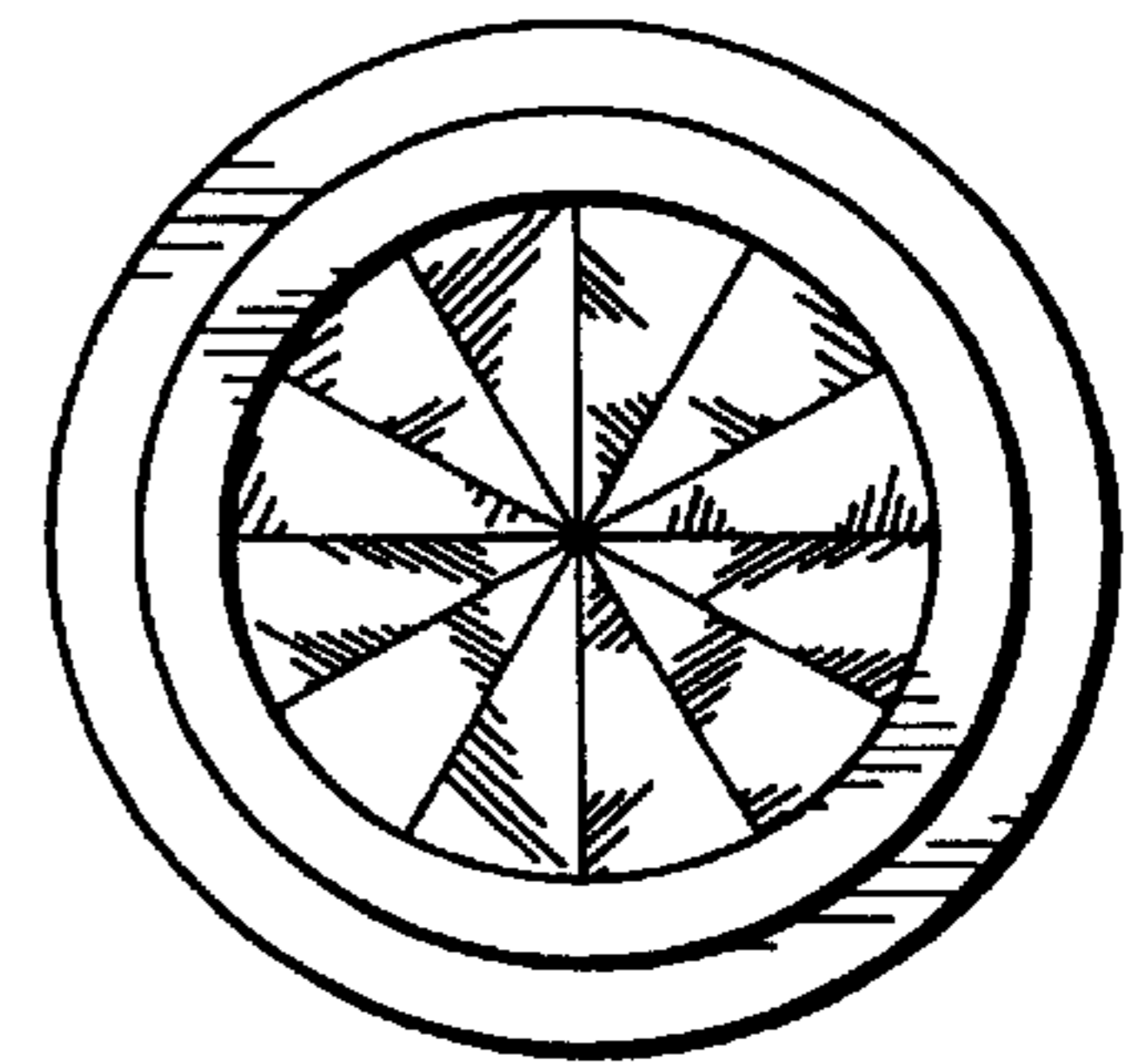


FIG. 7

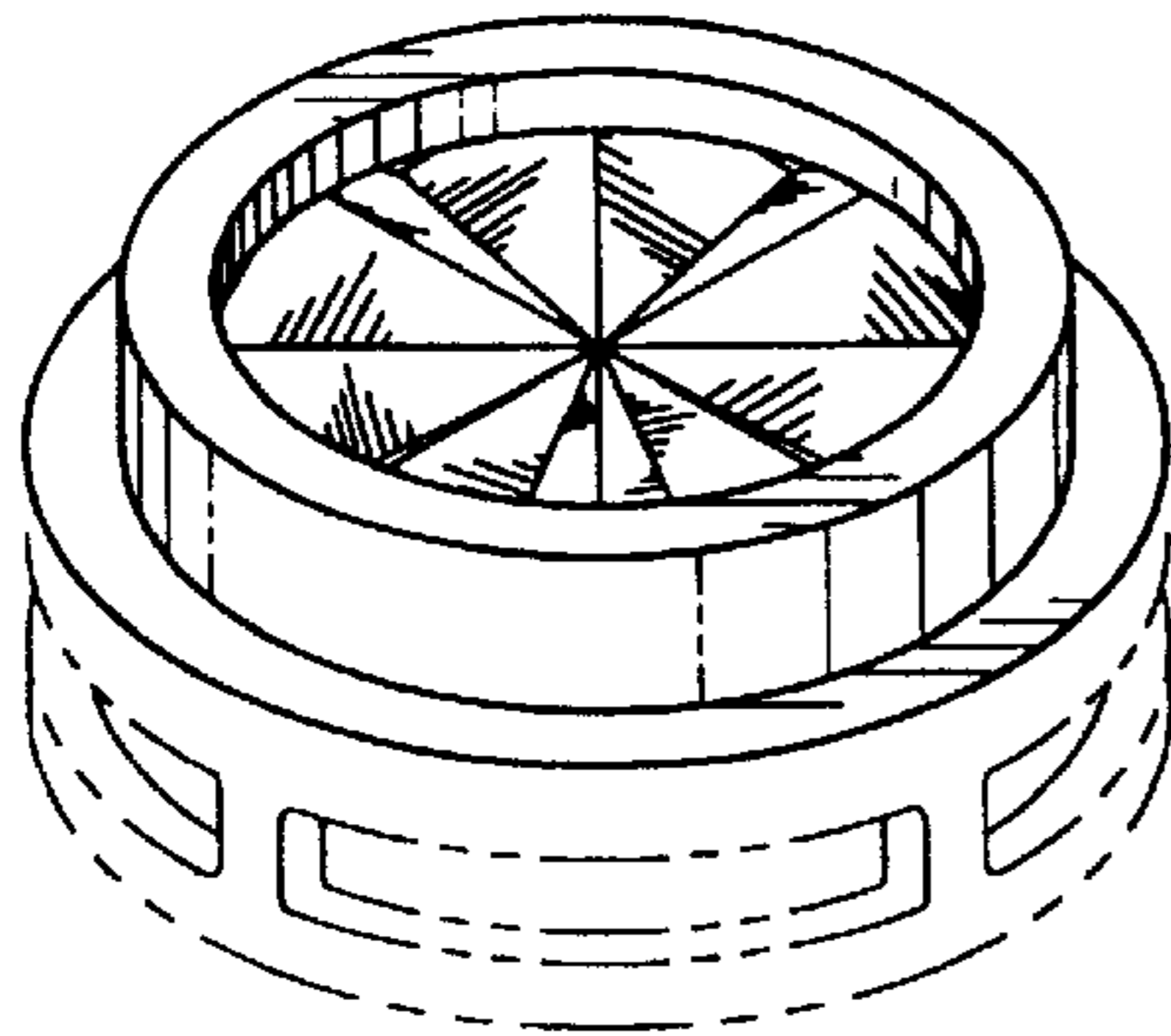


FIG. 8

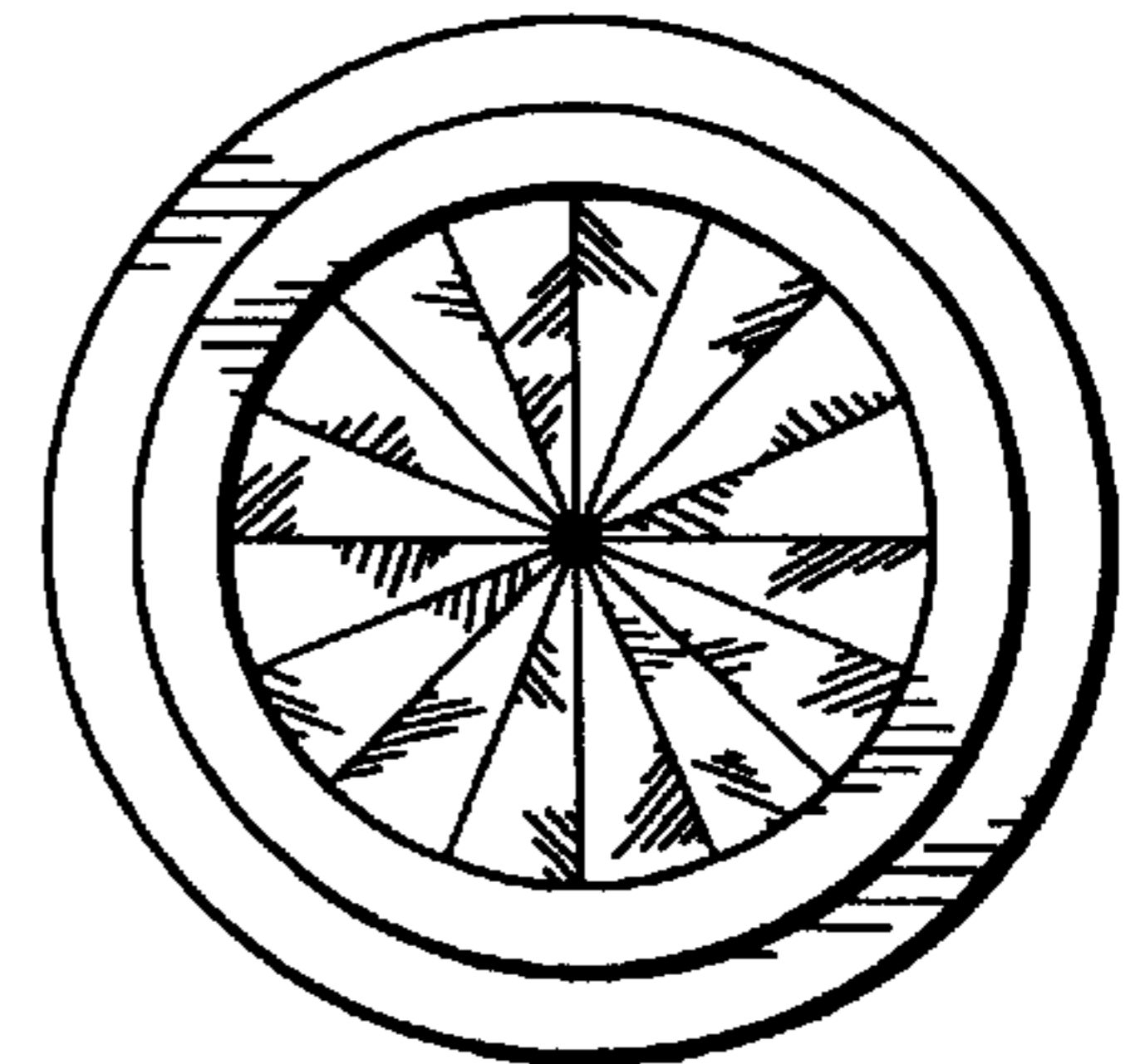


FIG. 9

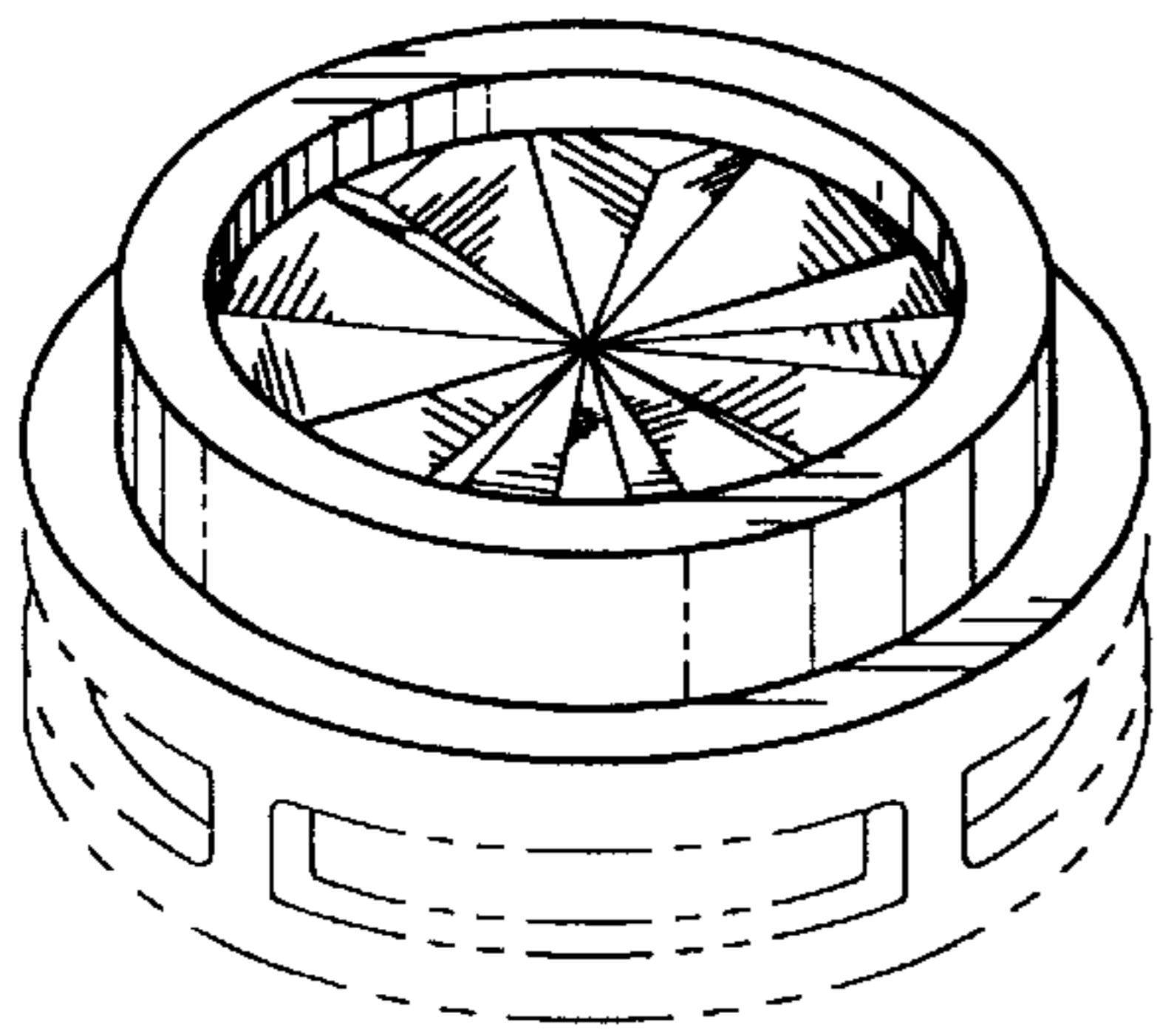


FIG. 10

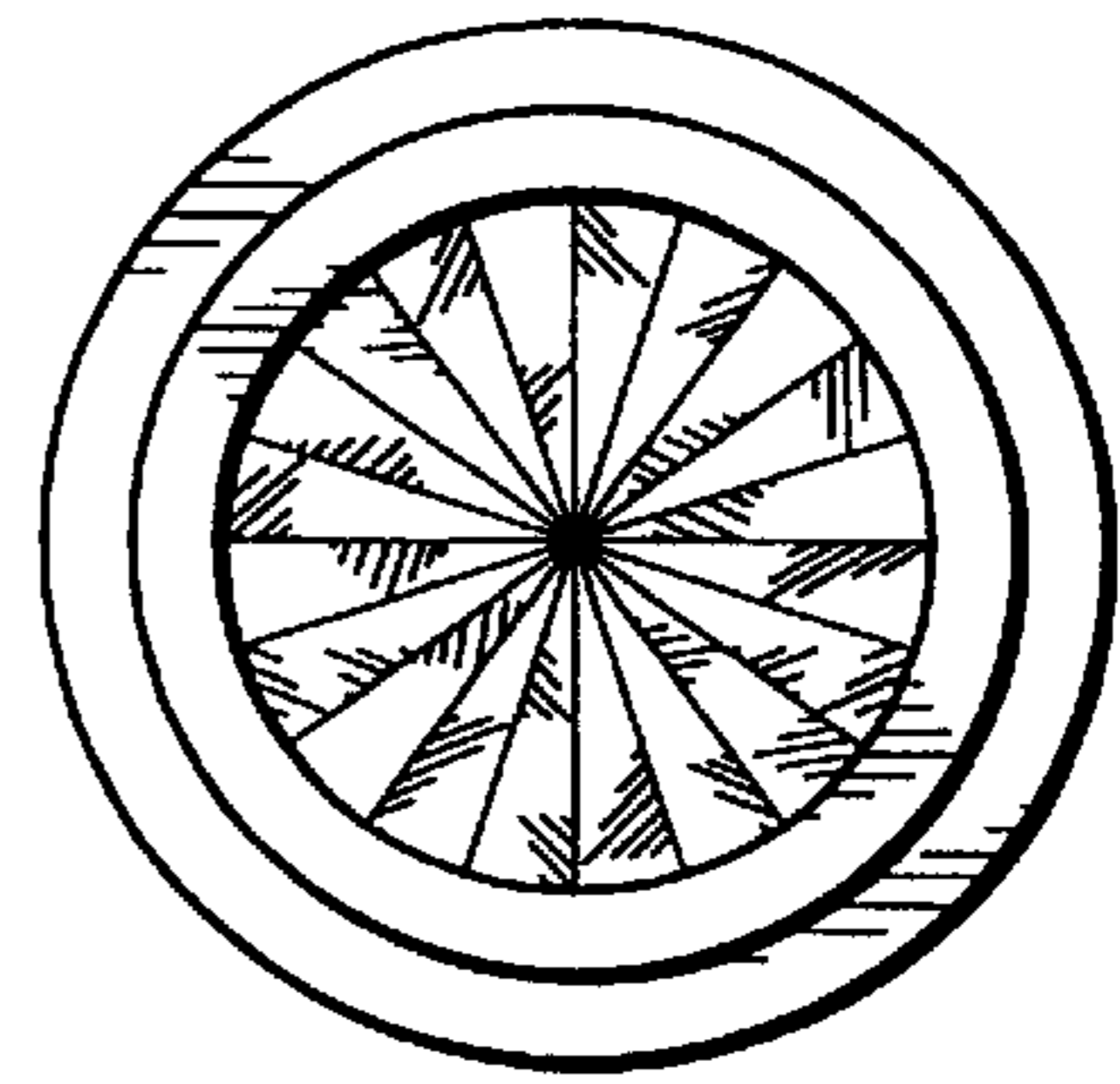


FIG. 11

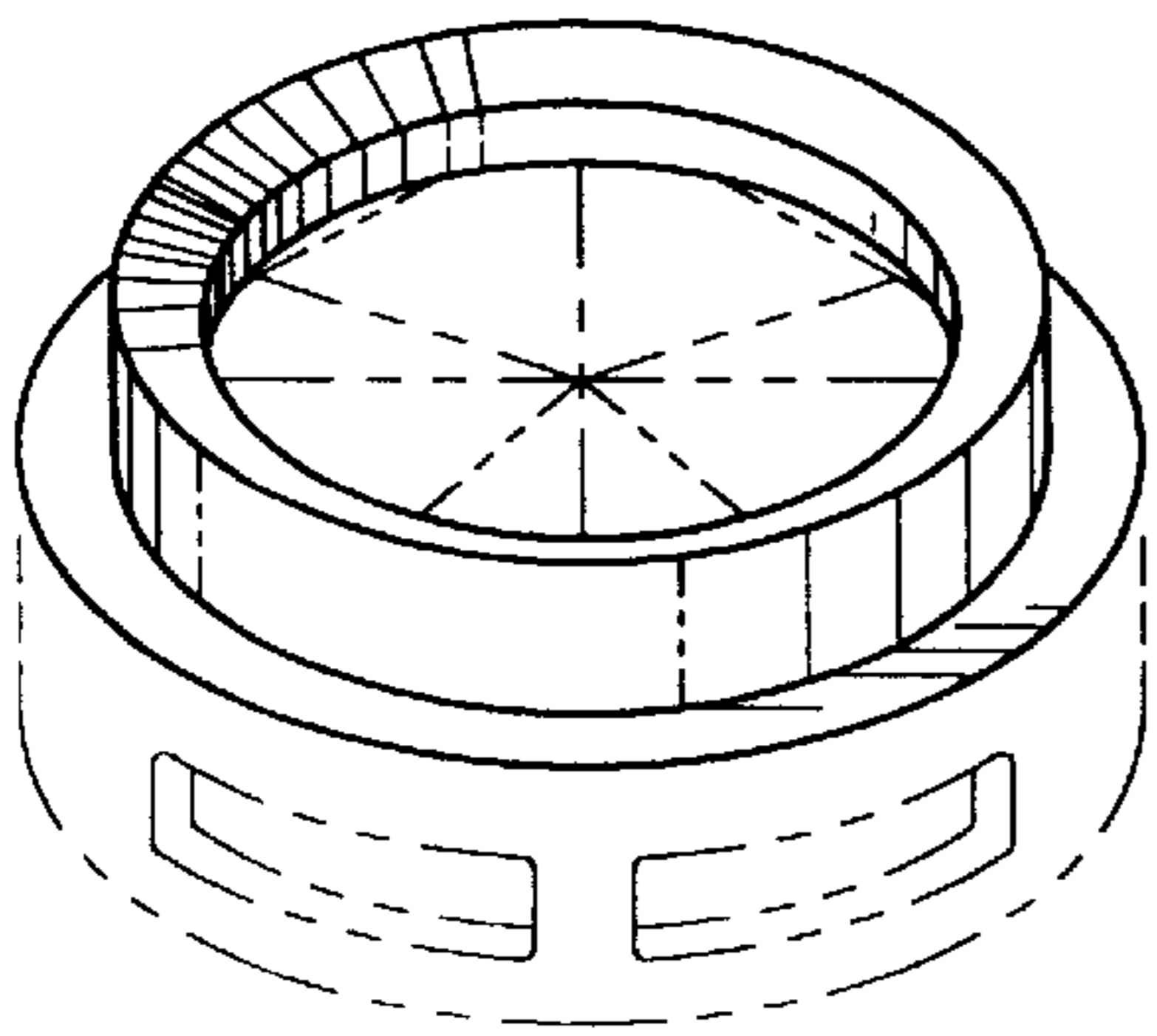


FIG. 12

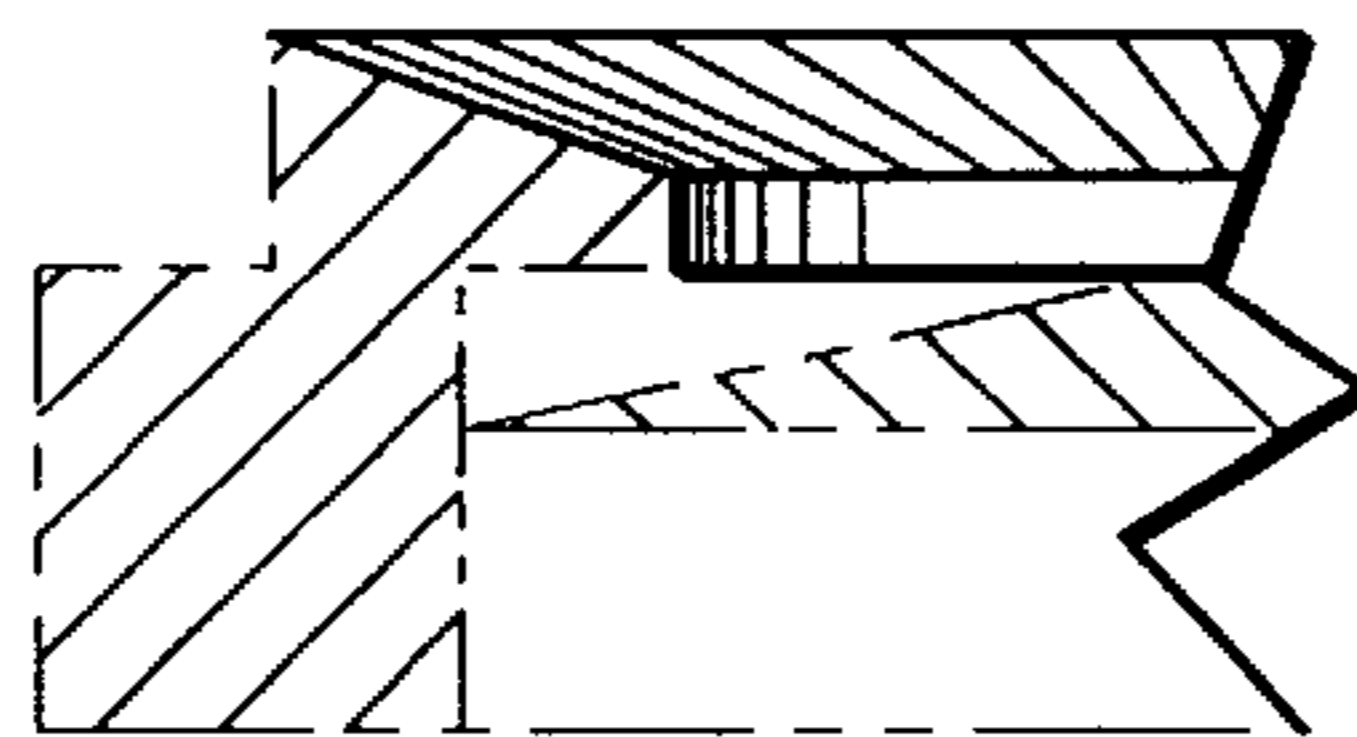


FIG. 14

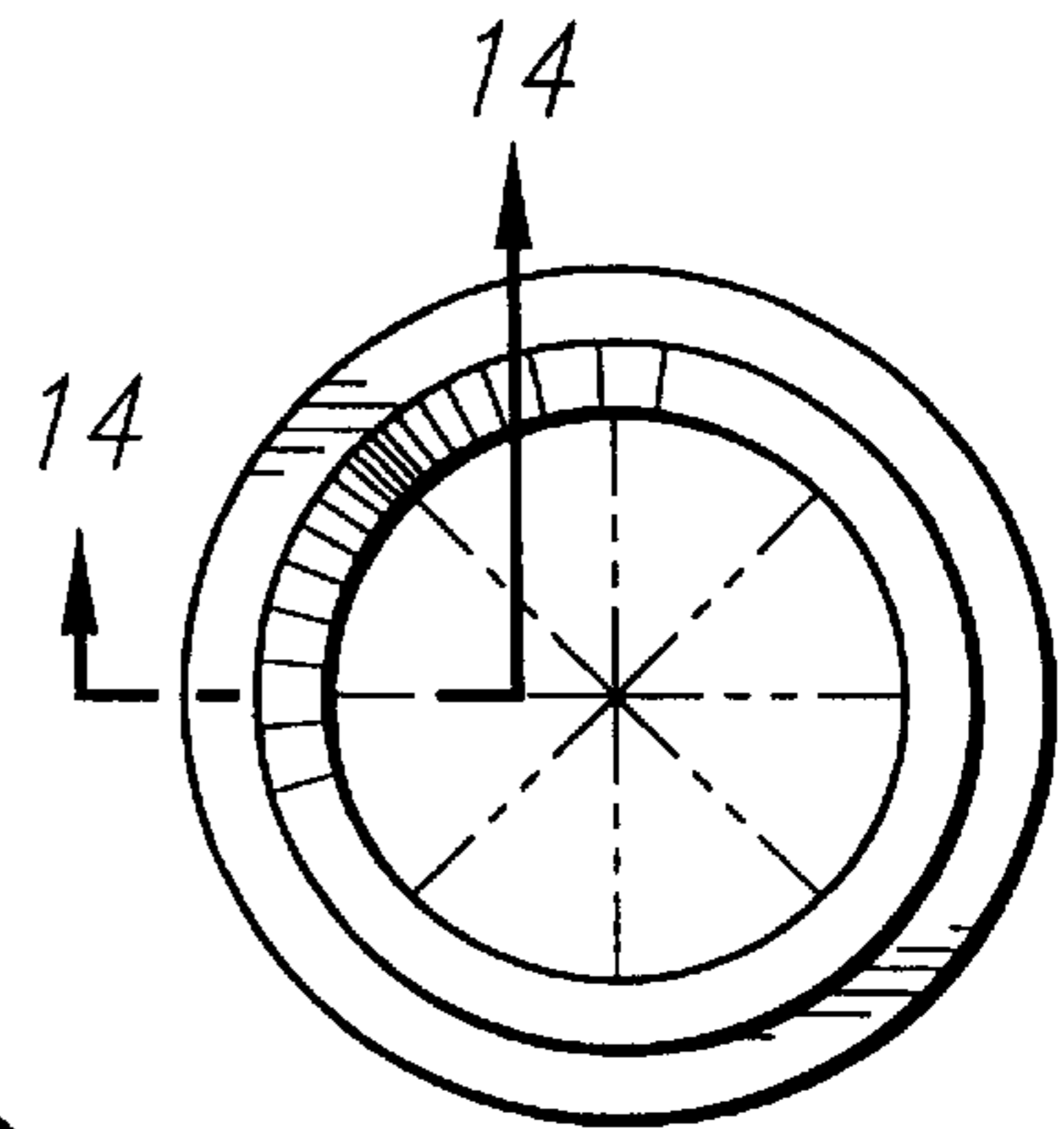


FIG. 13

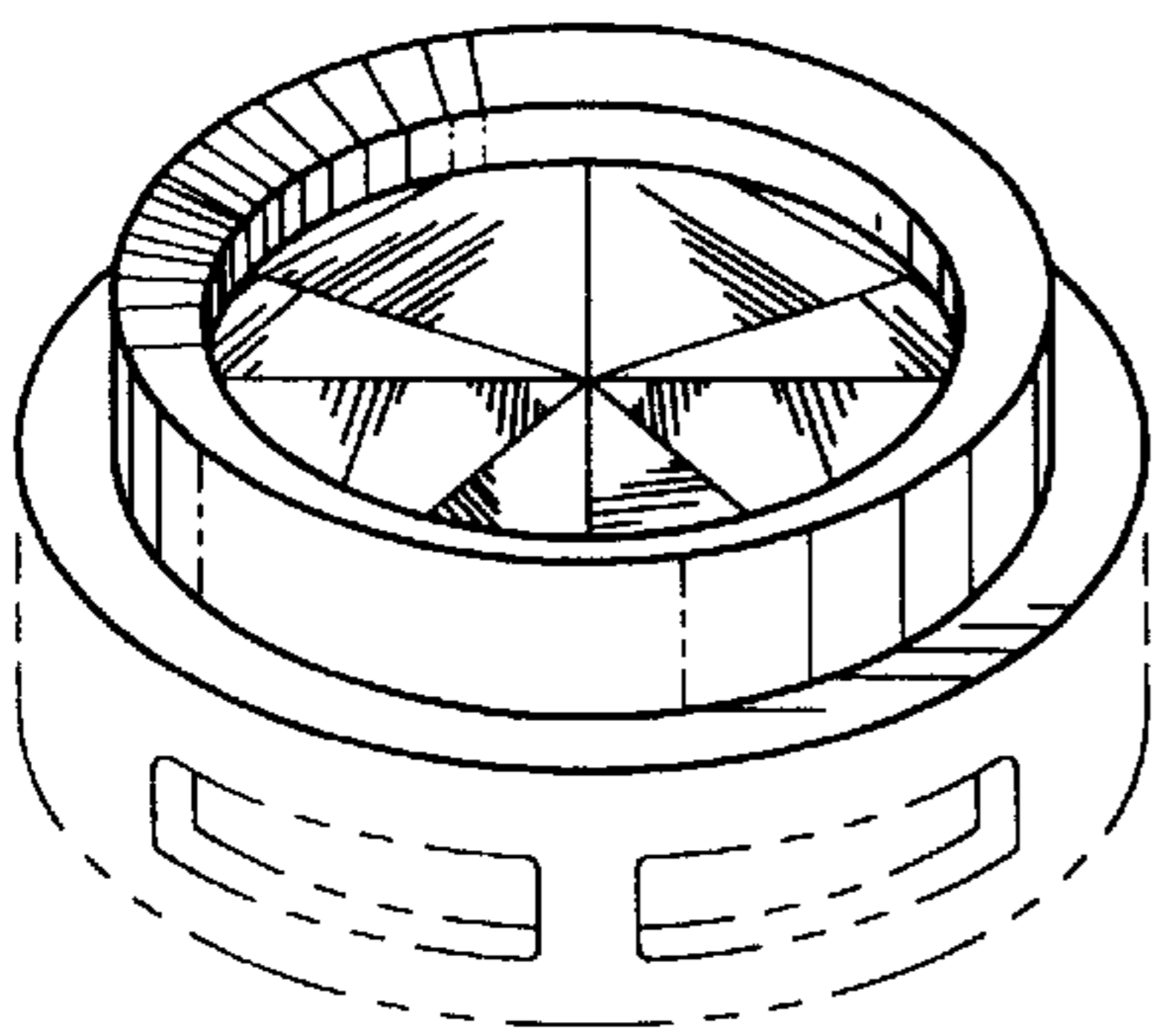


FIG. 15

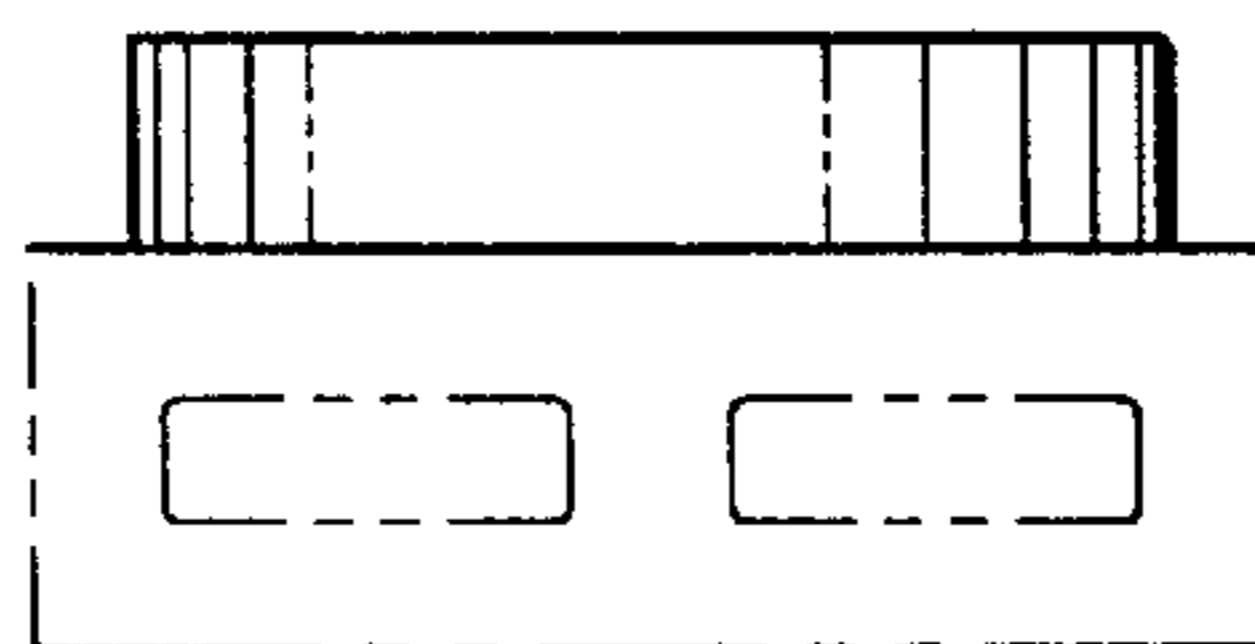


FIG. 17

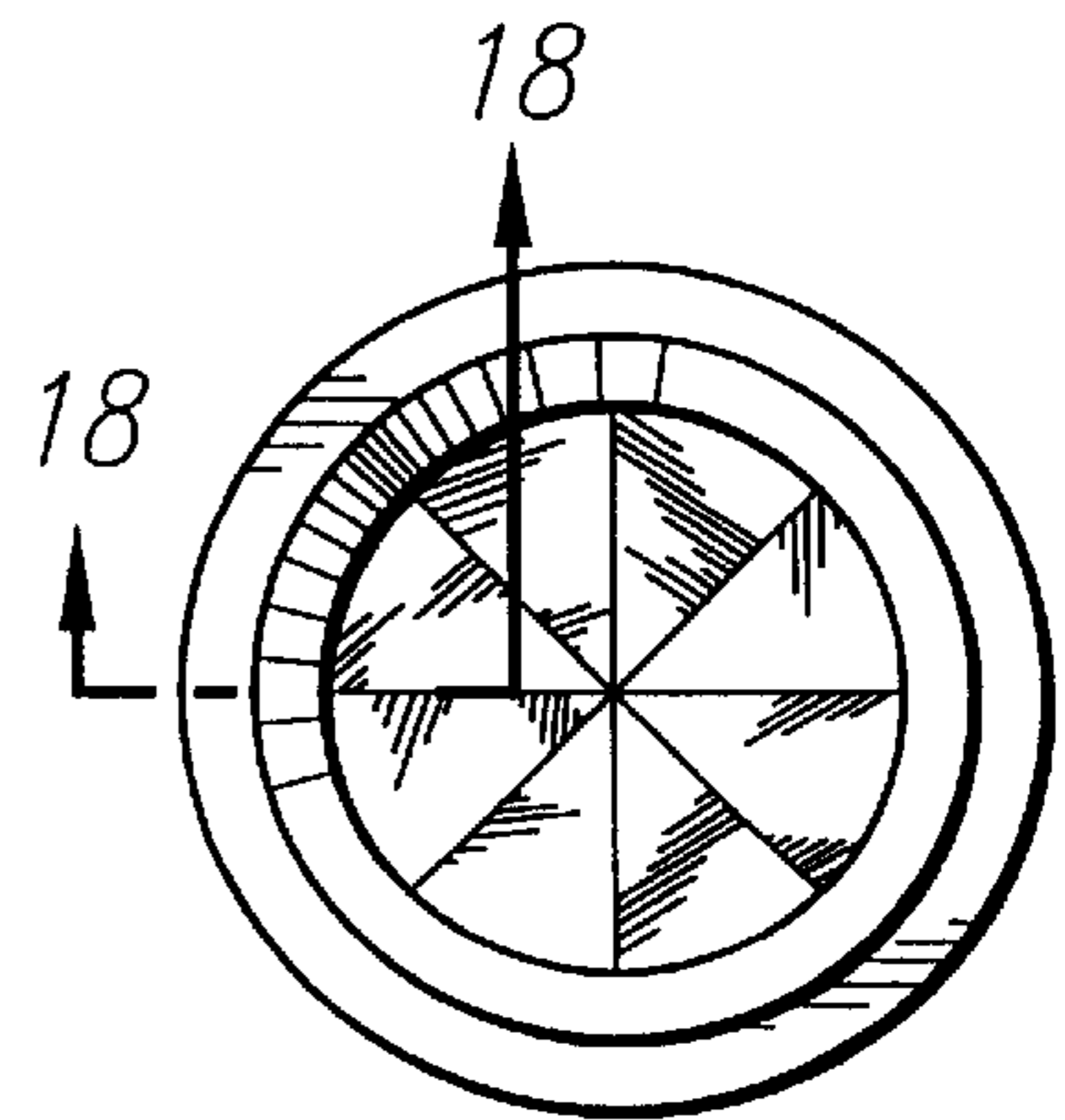


FIG. 16

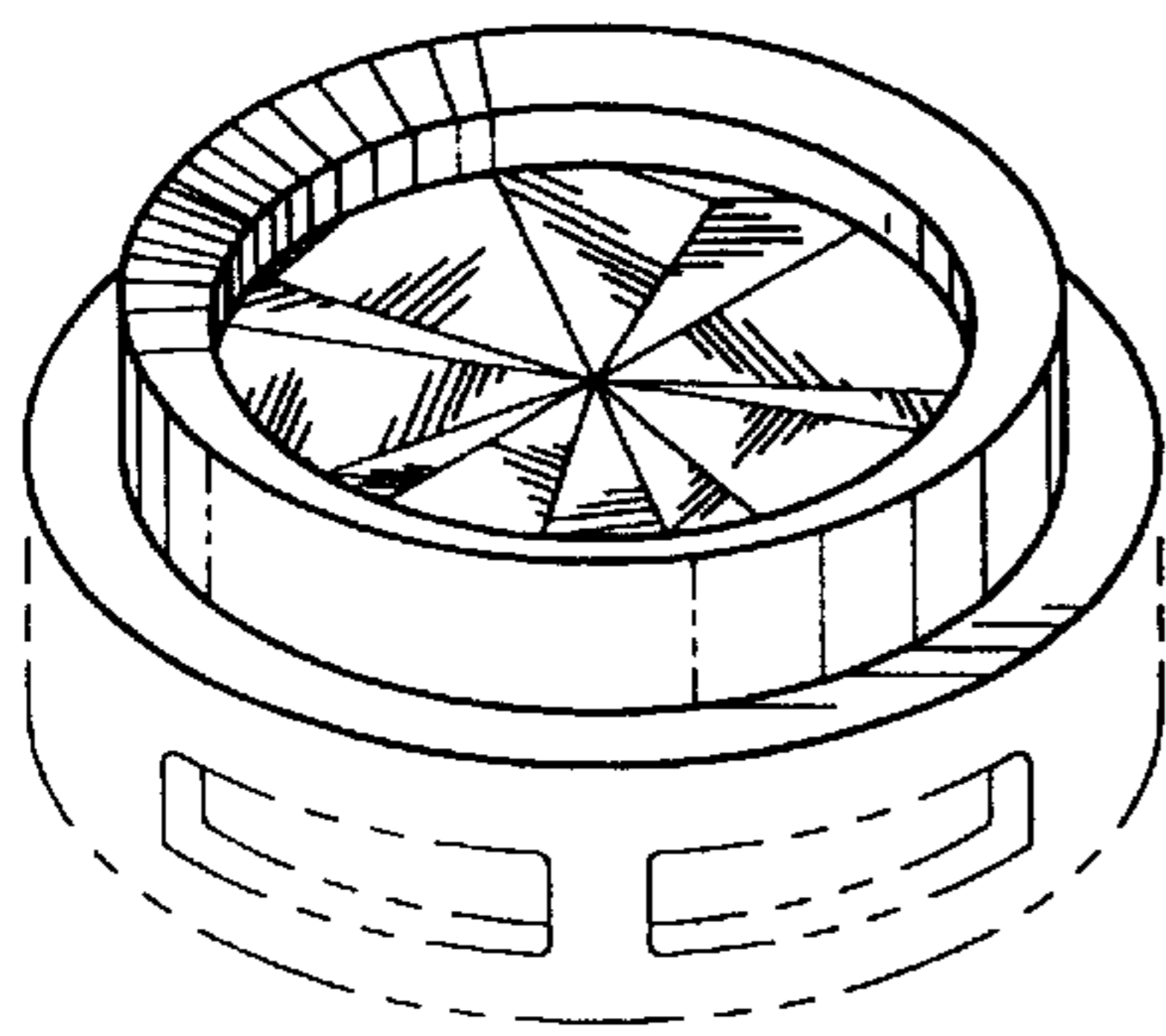


FIG. 19

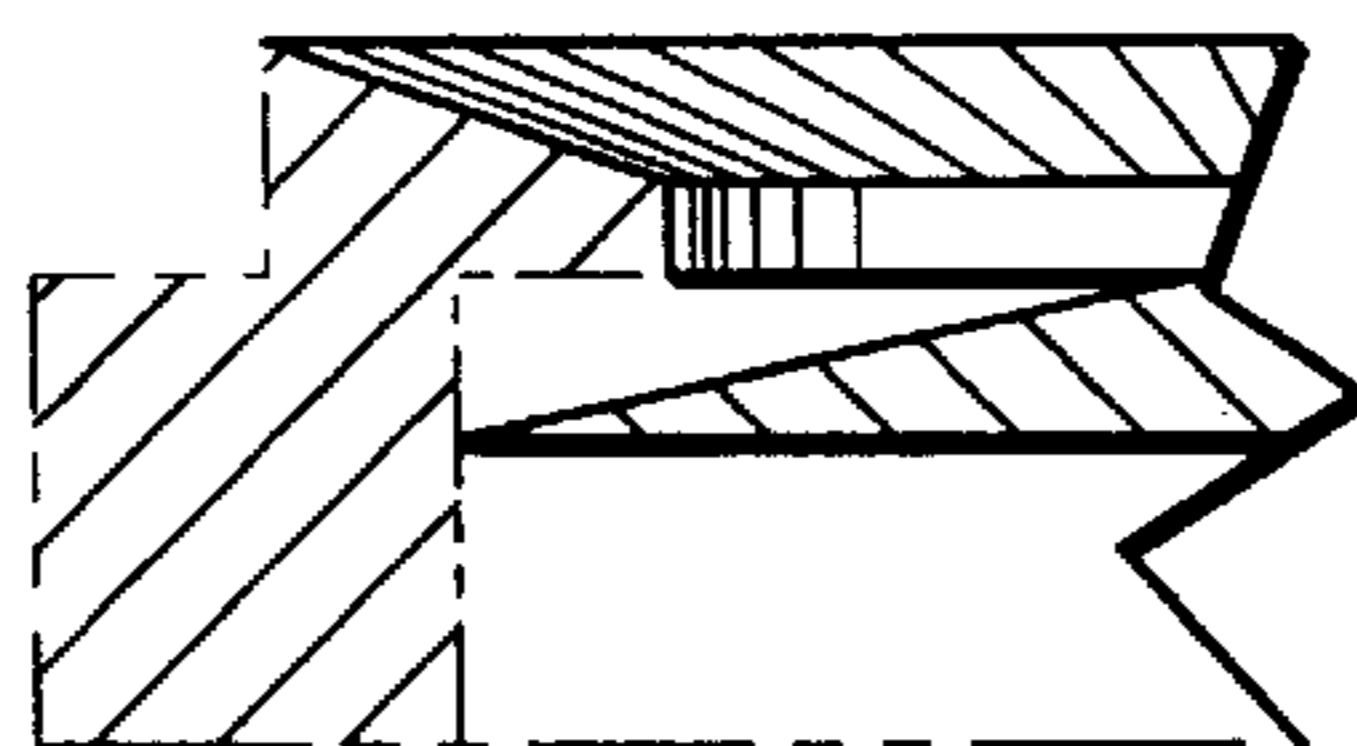


FIG. 18

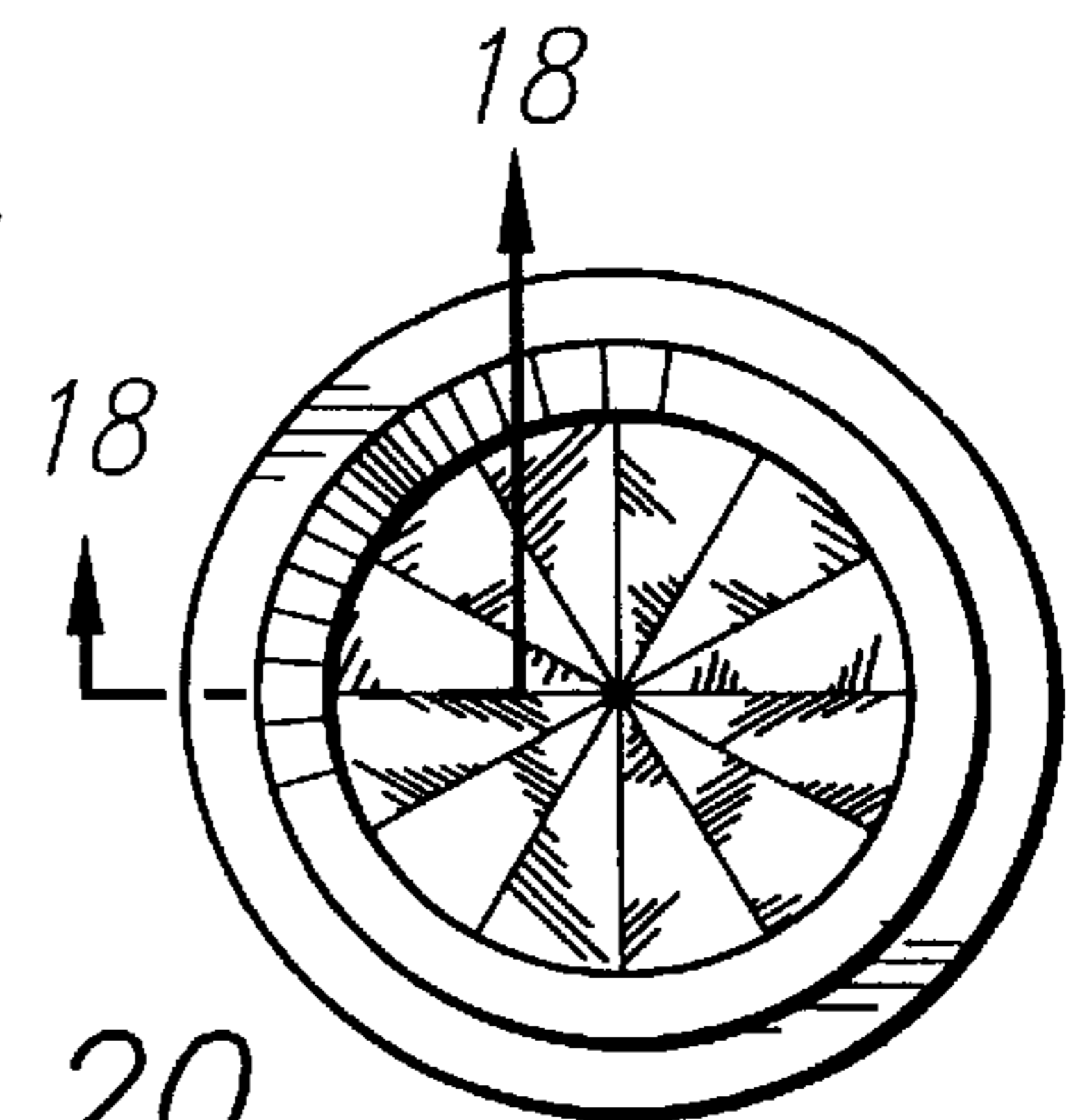


FIG. 20

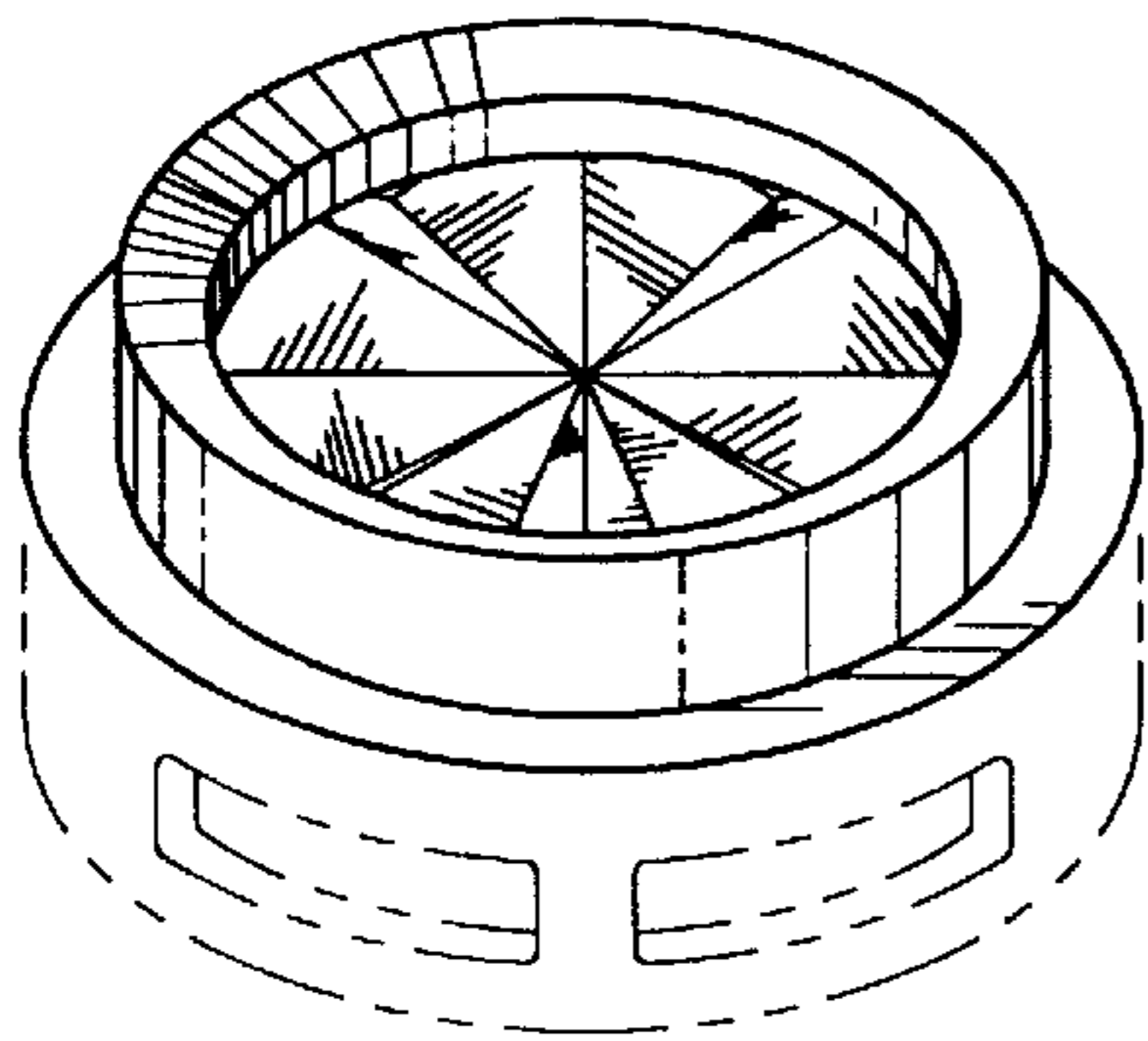


FIG. 21

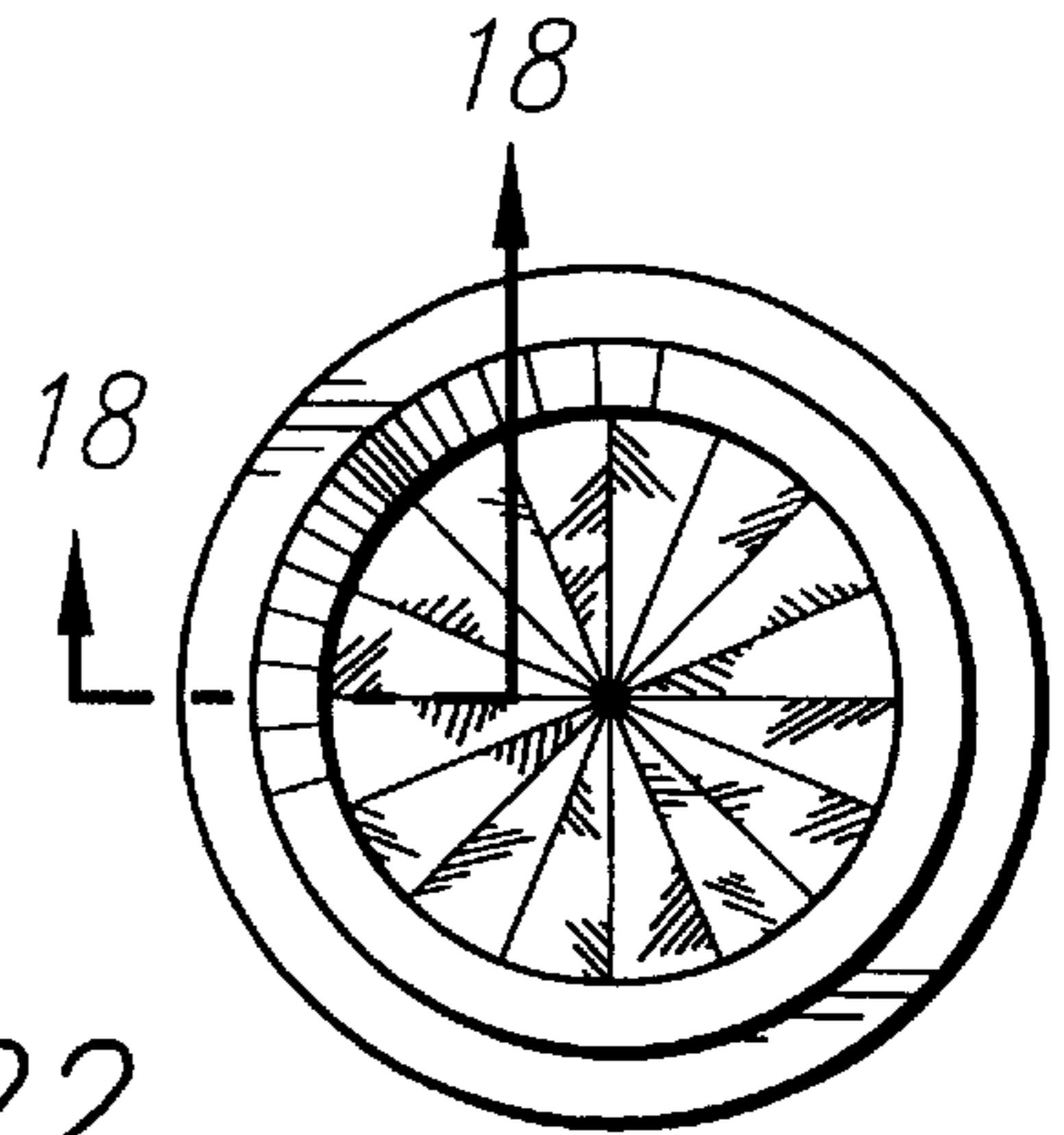


FIG. 22

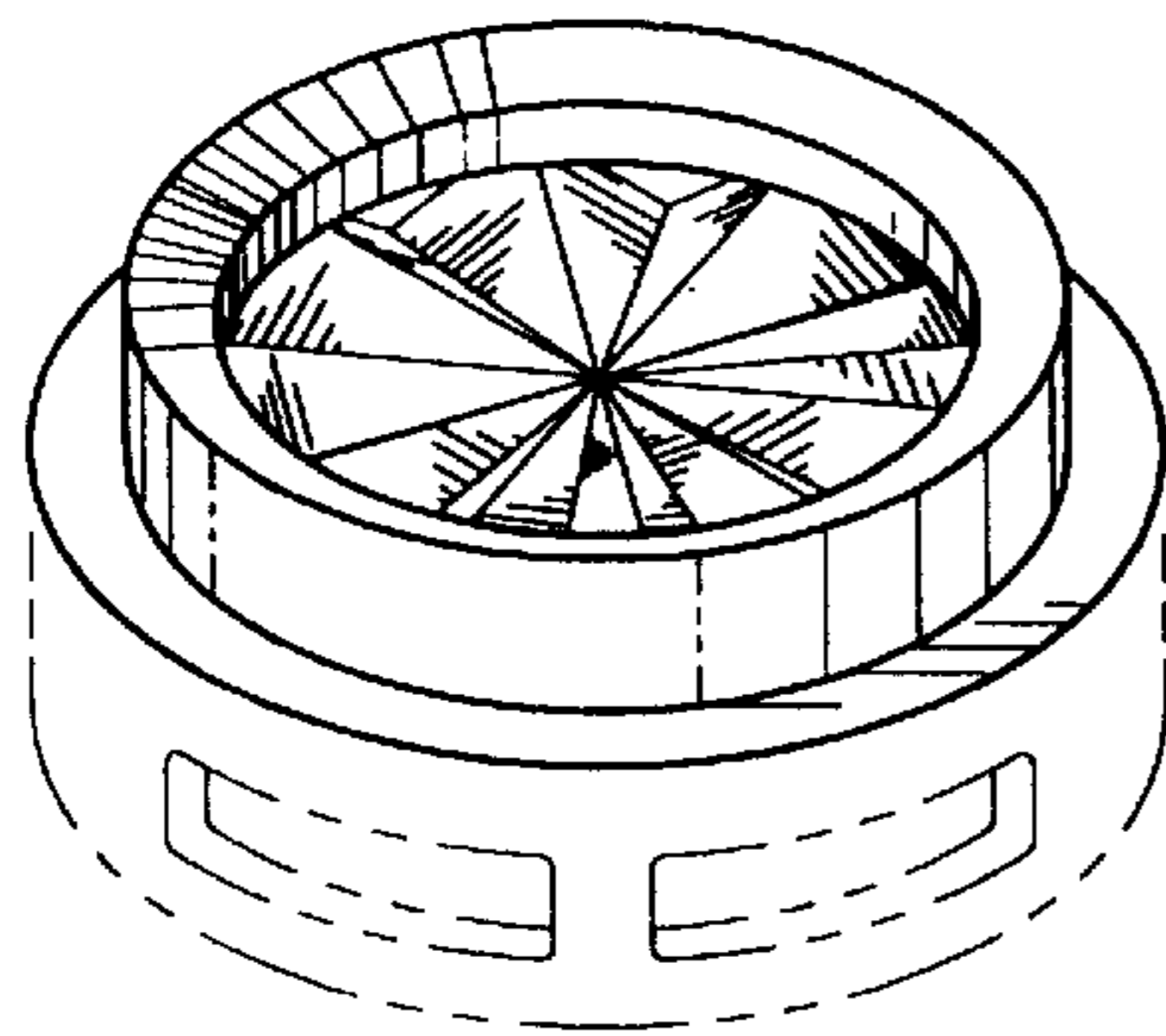


FIG. 23

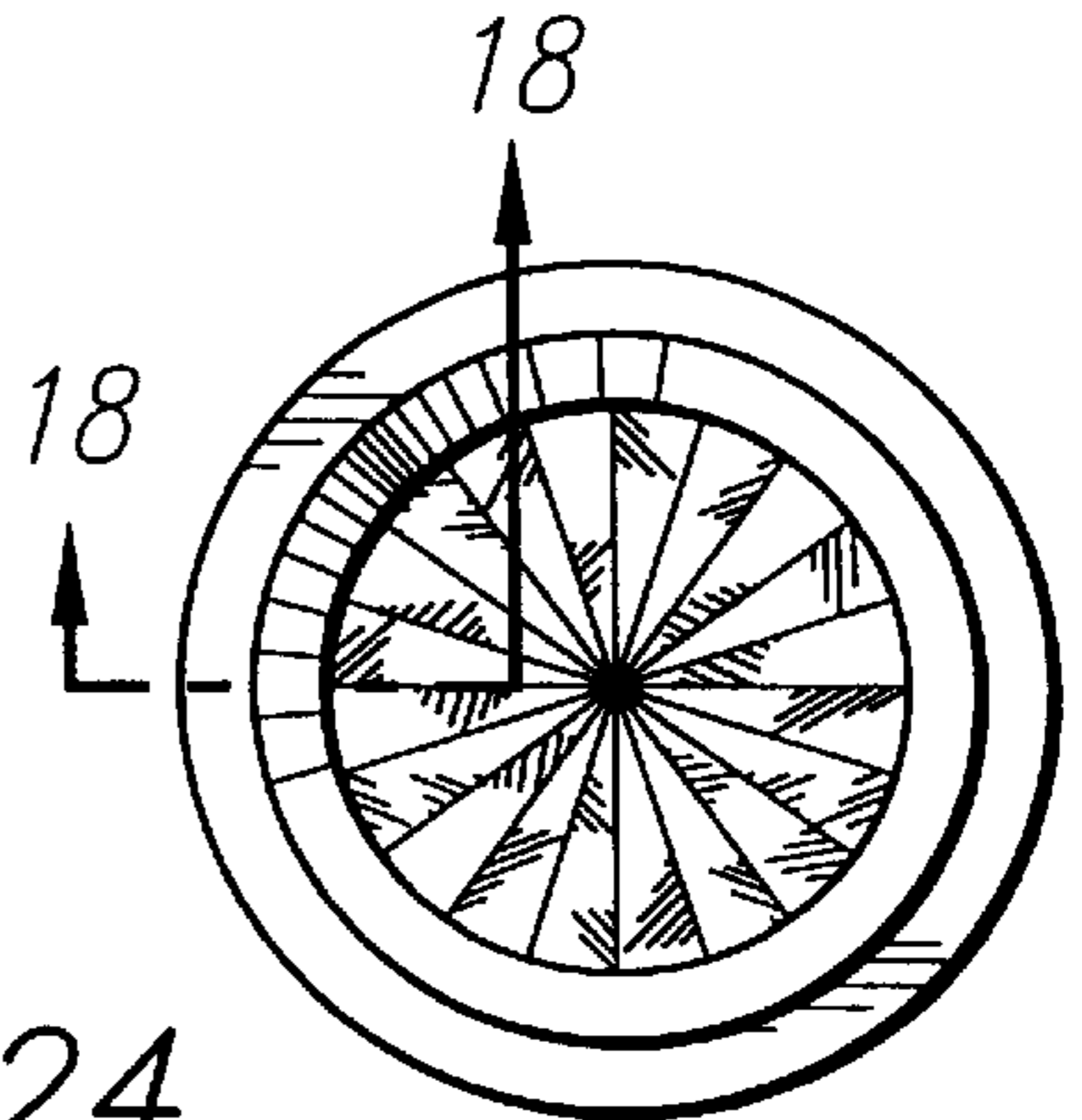


FIG. 24

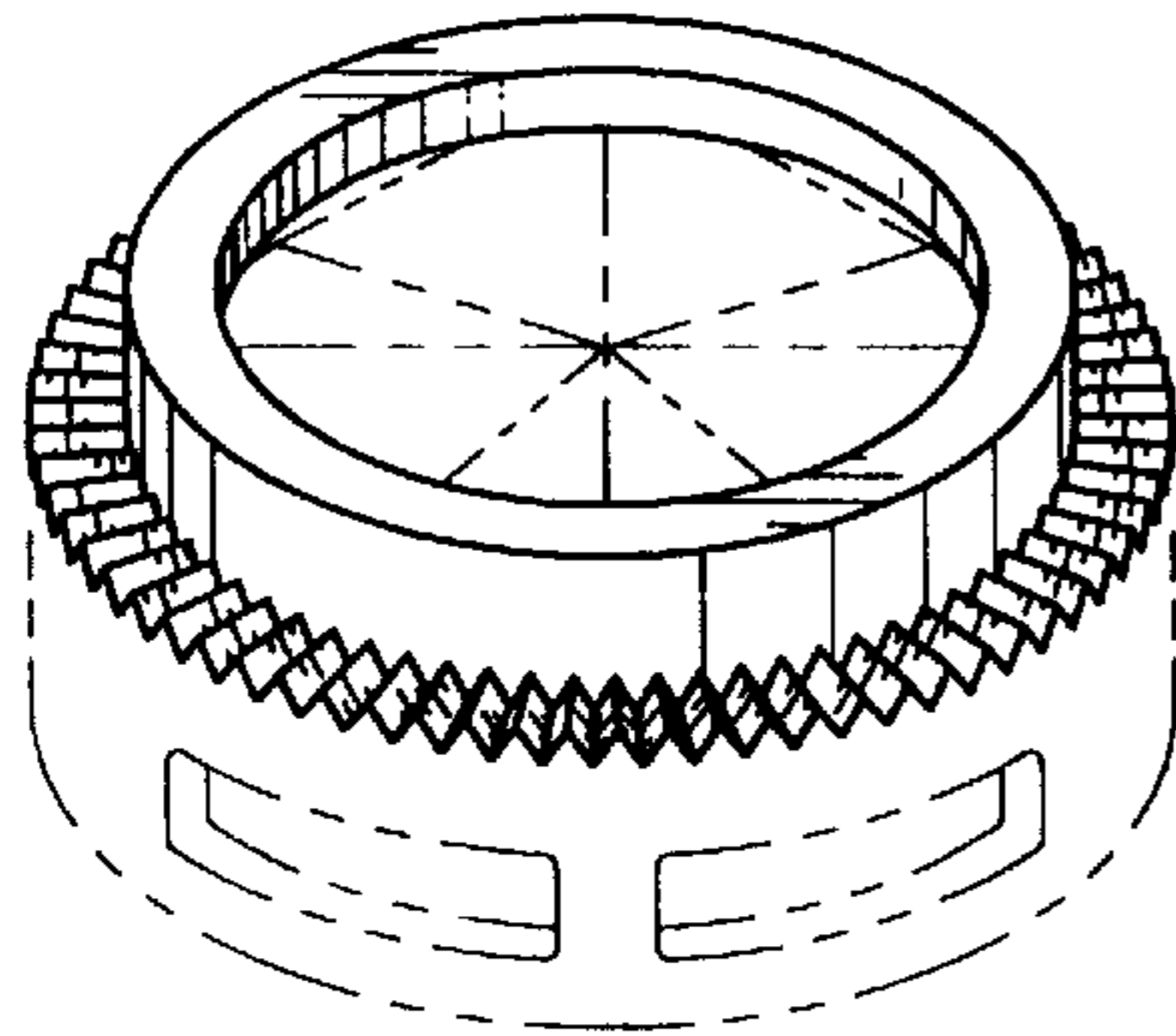


FIG. 25

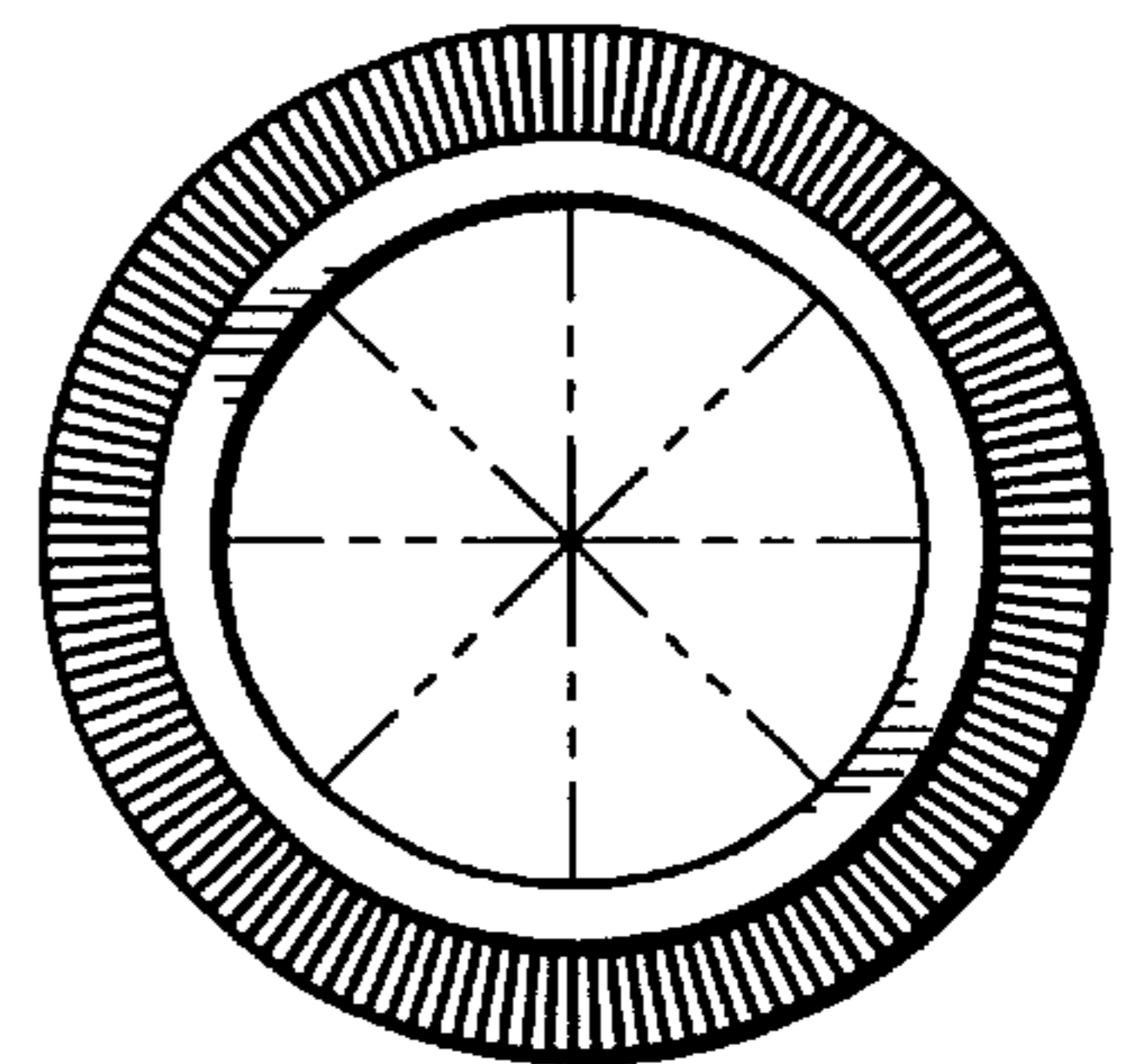


FIG. 26

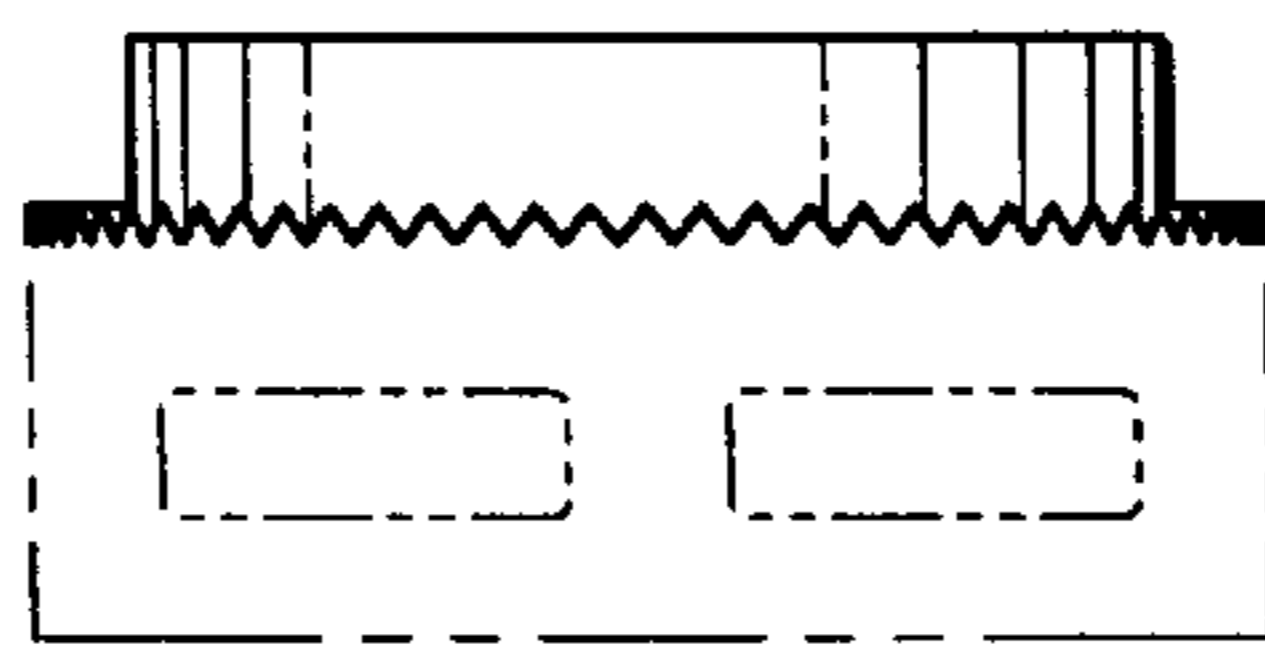


FIG. 27

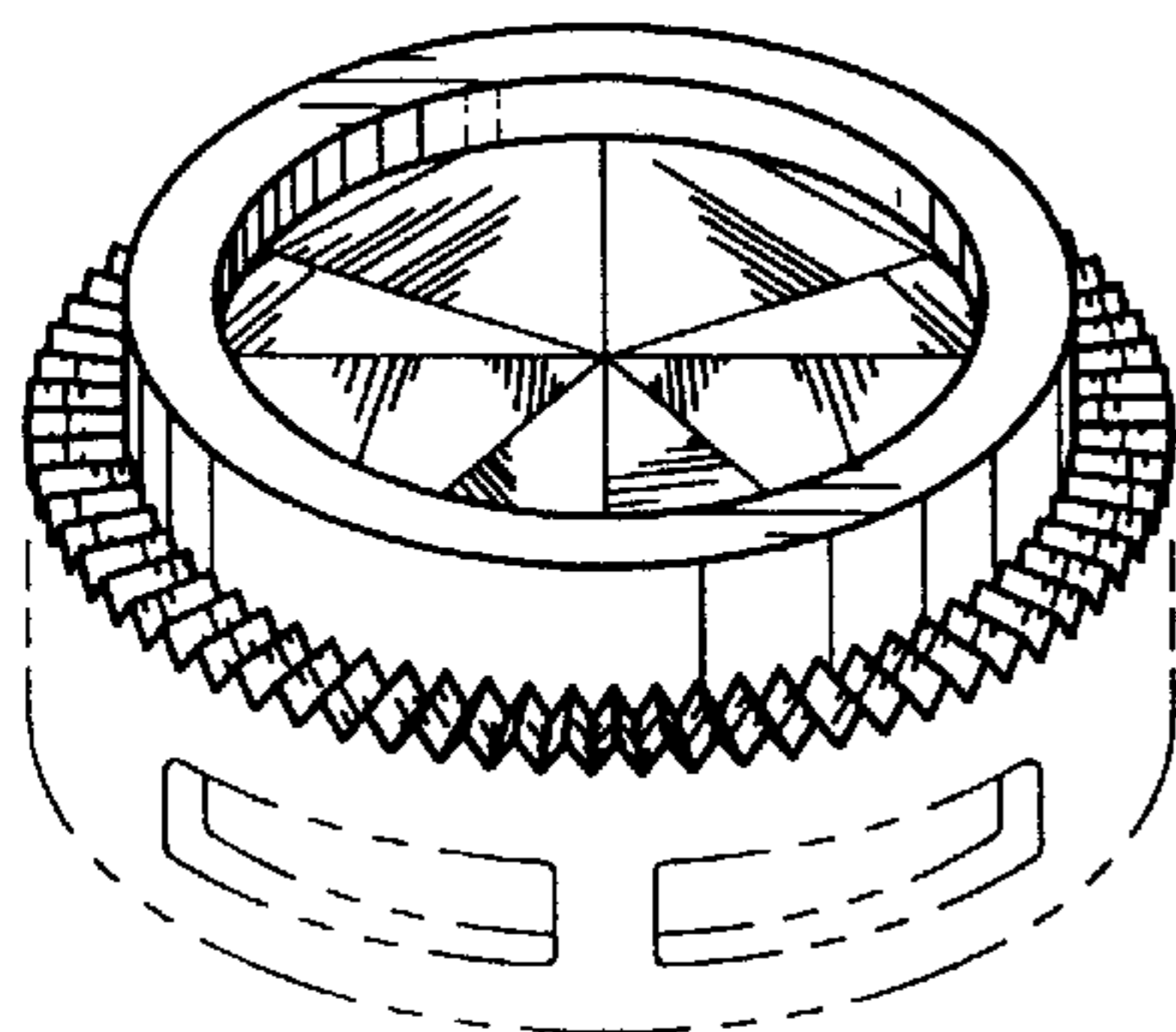


FIG. 28

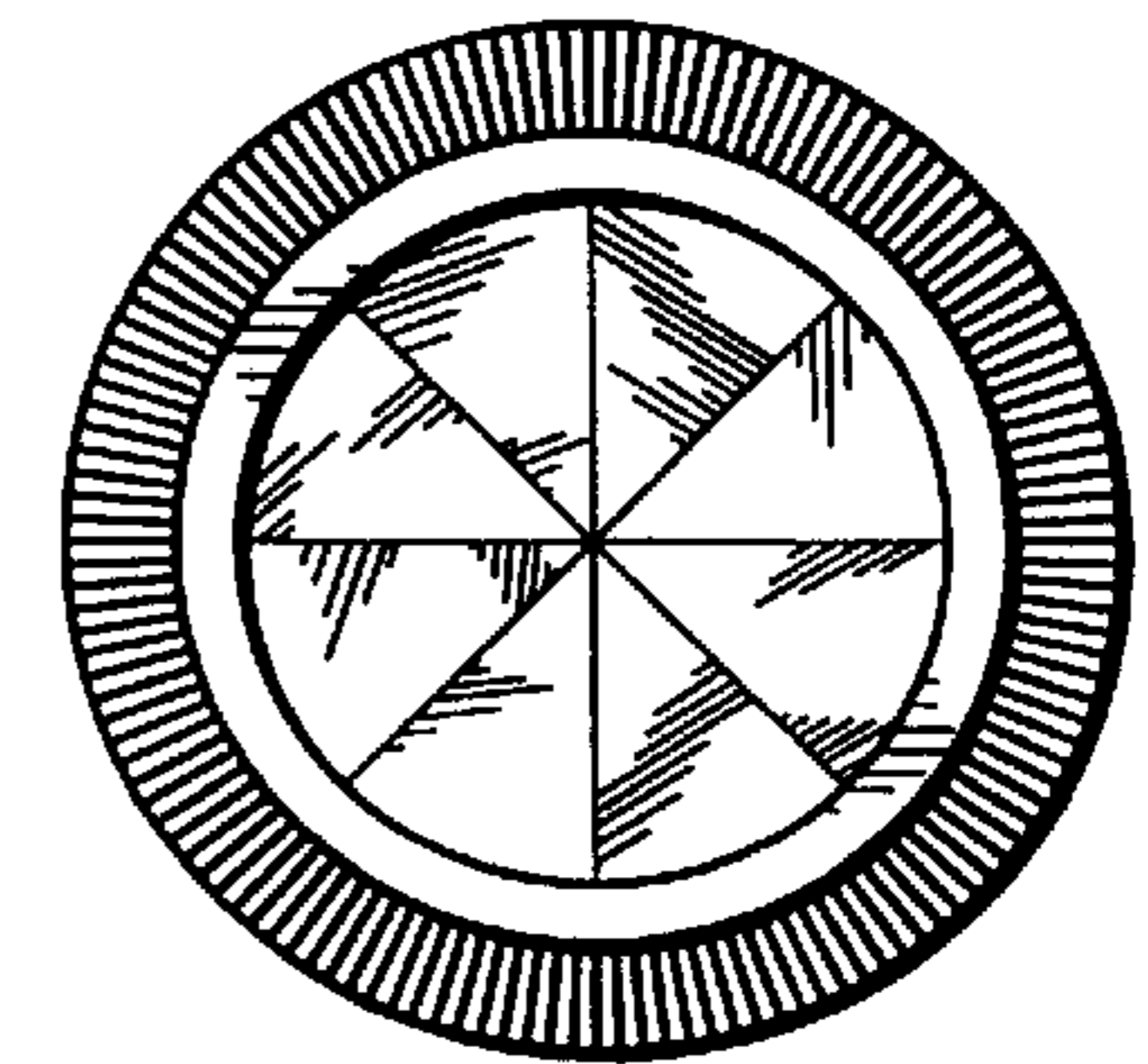


FIG. 29

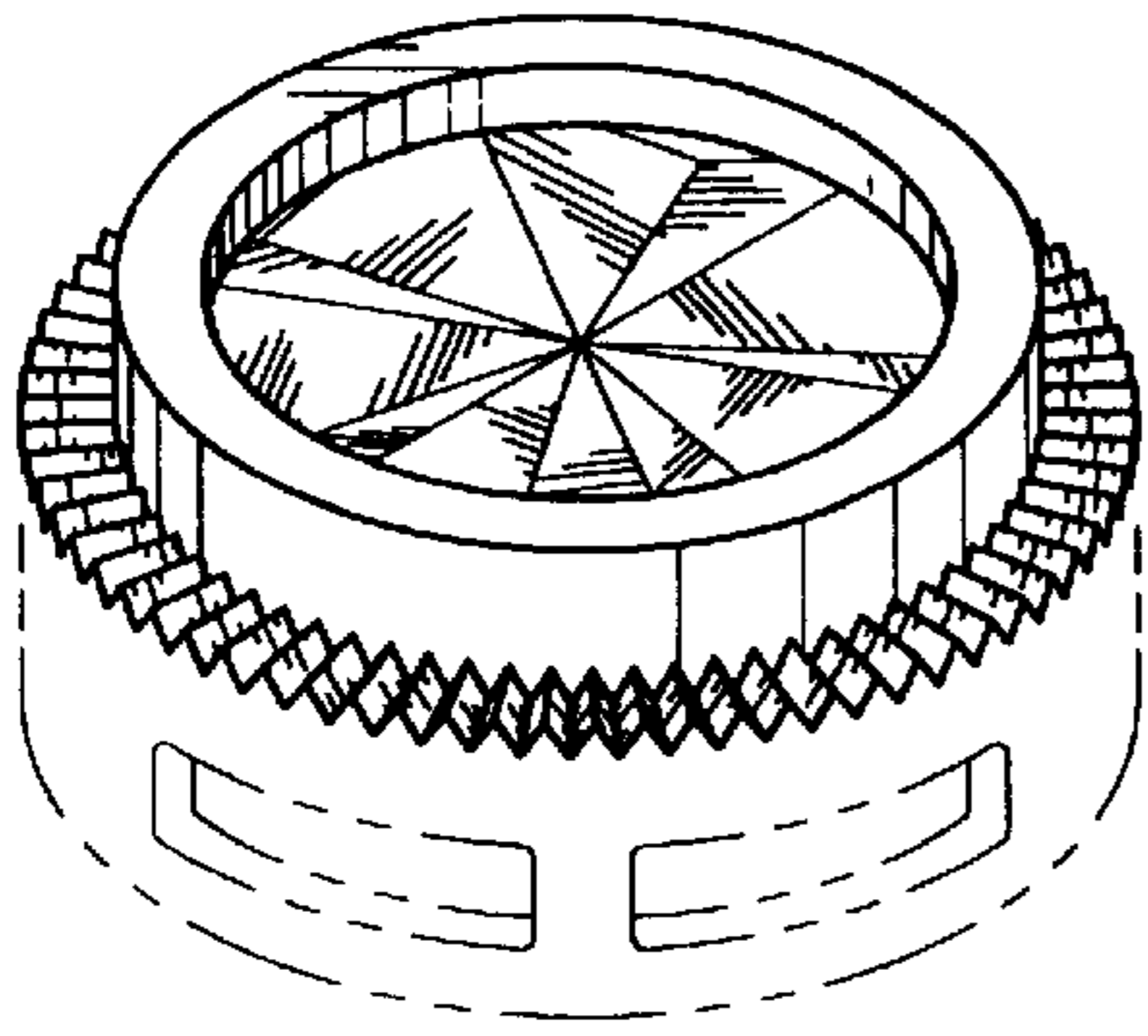


FIG. 30

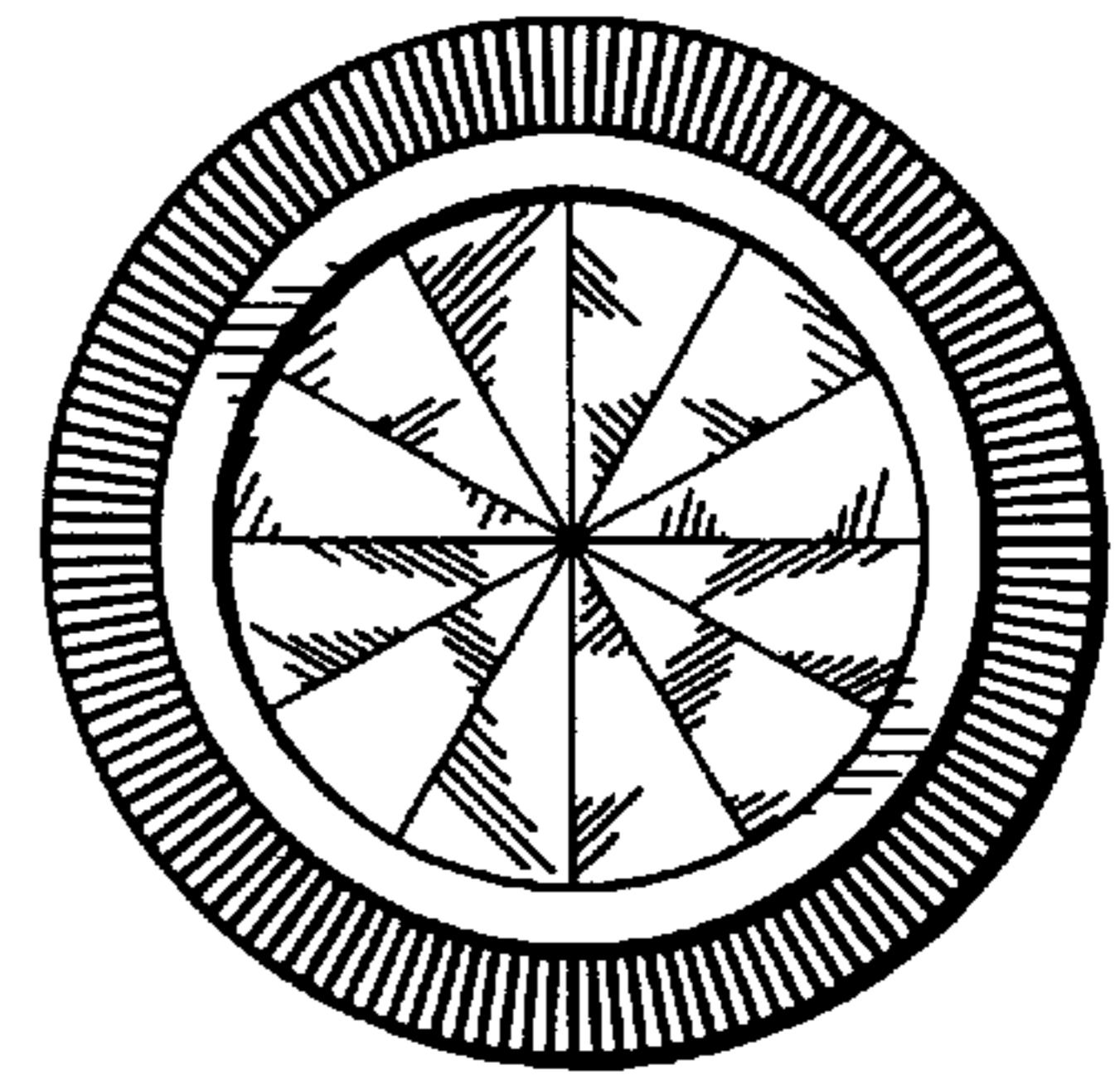


FIG. 31

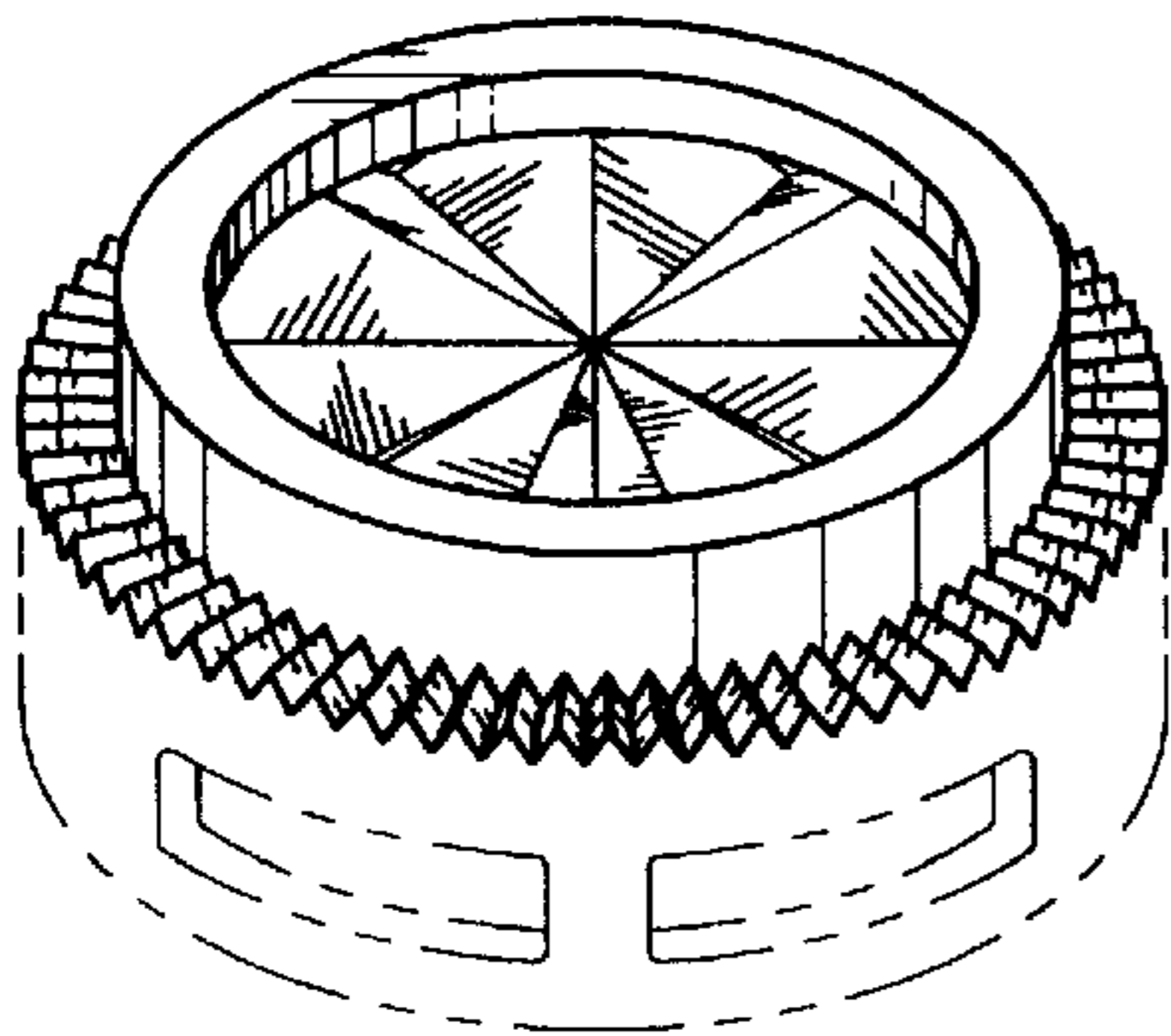


FIG. 32

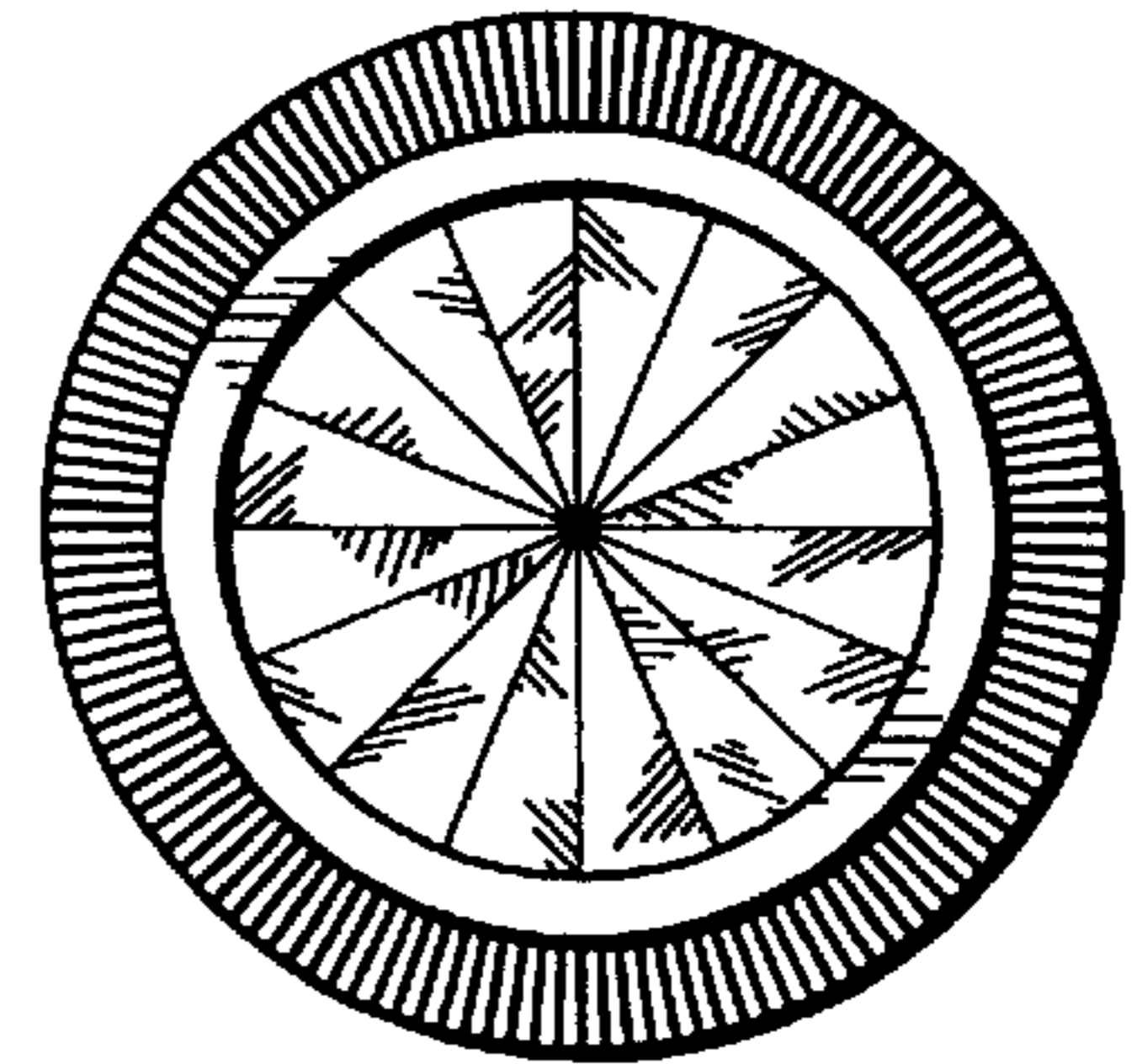


FIG. 33

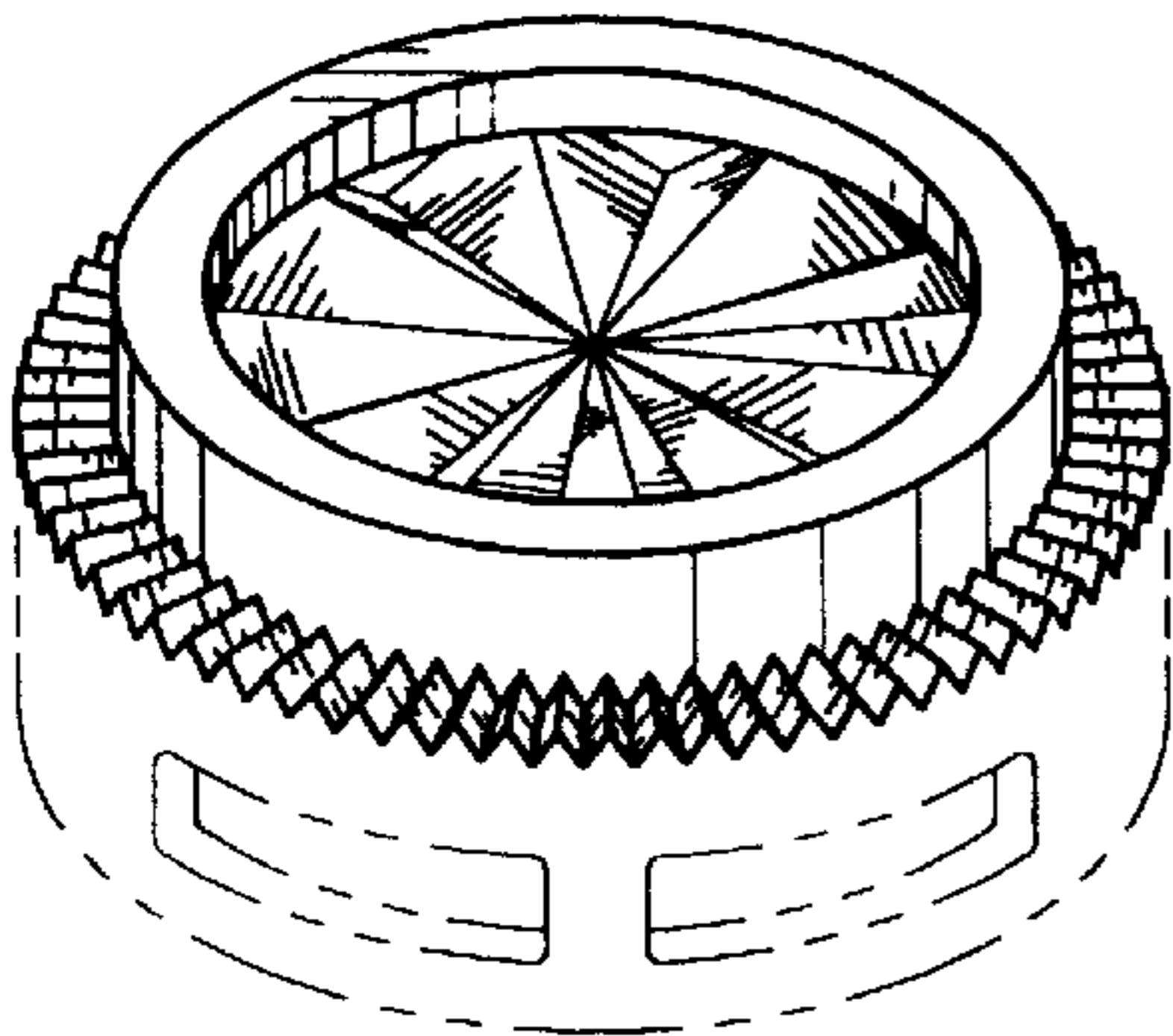


FIG. 34

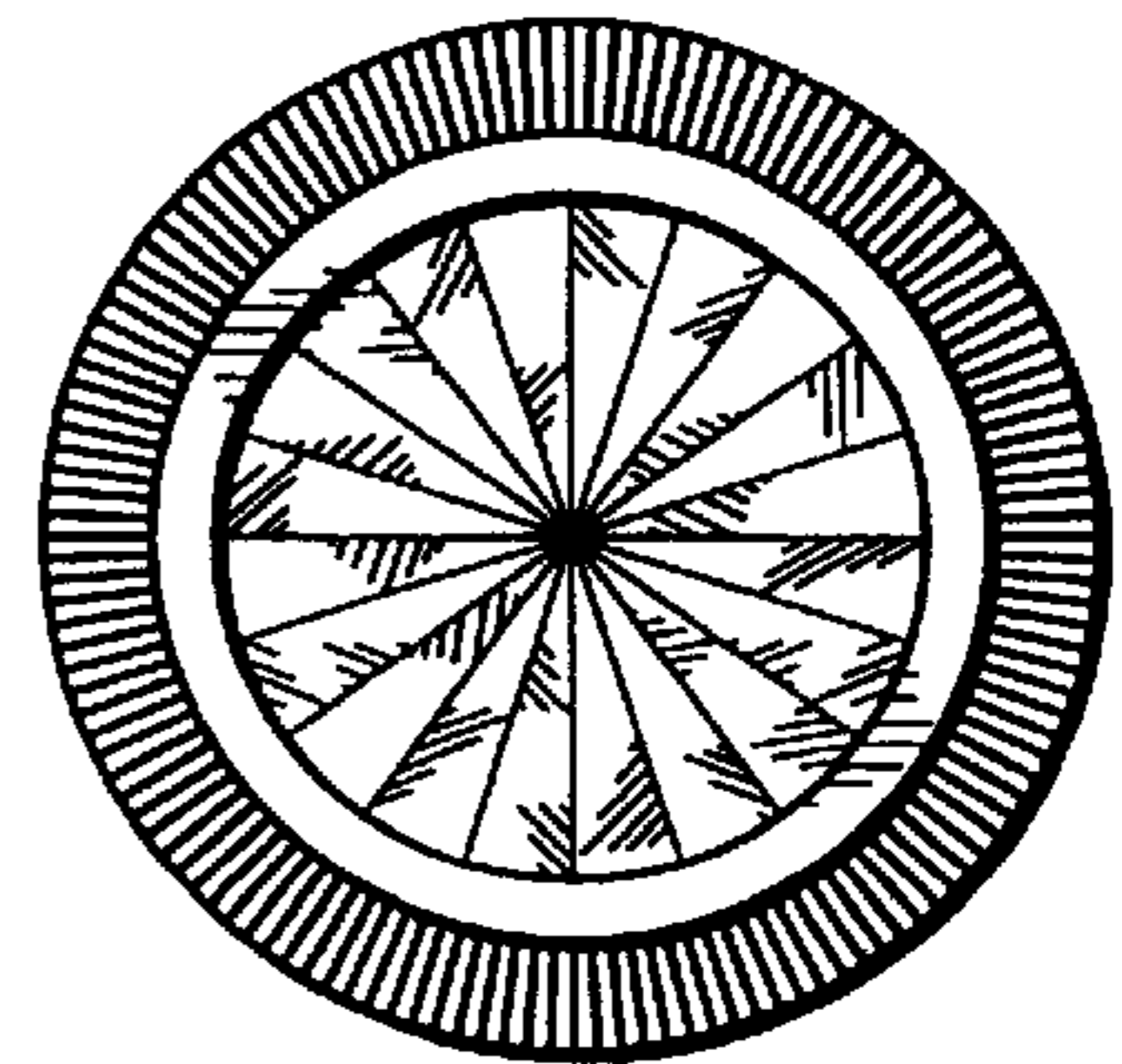


FIG. 35

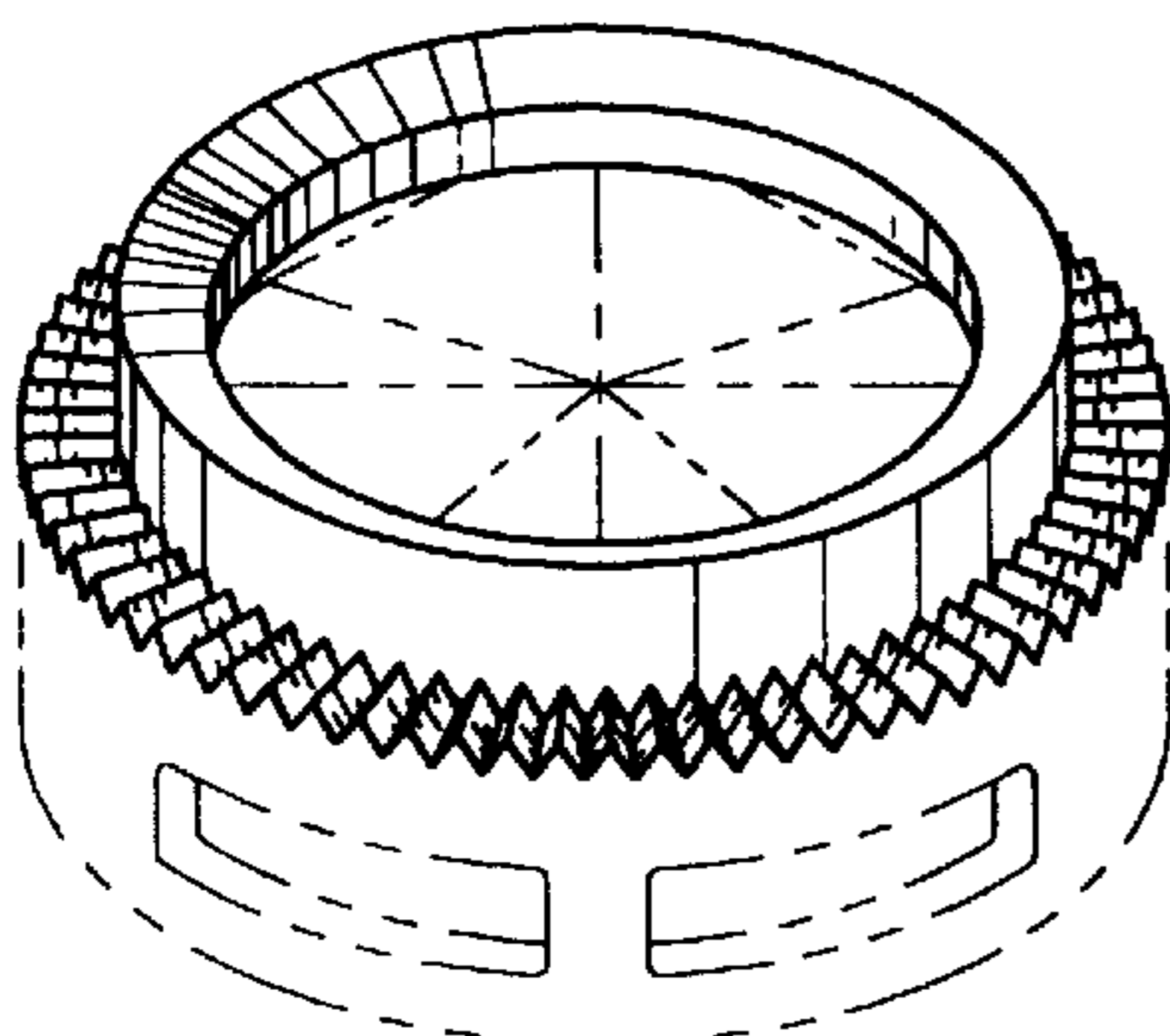


FIG. 36

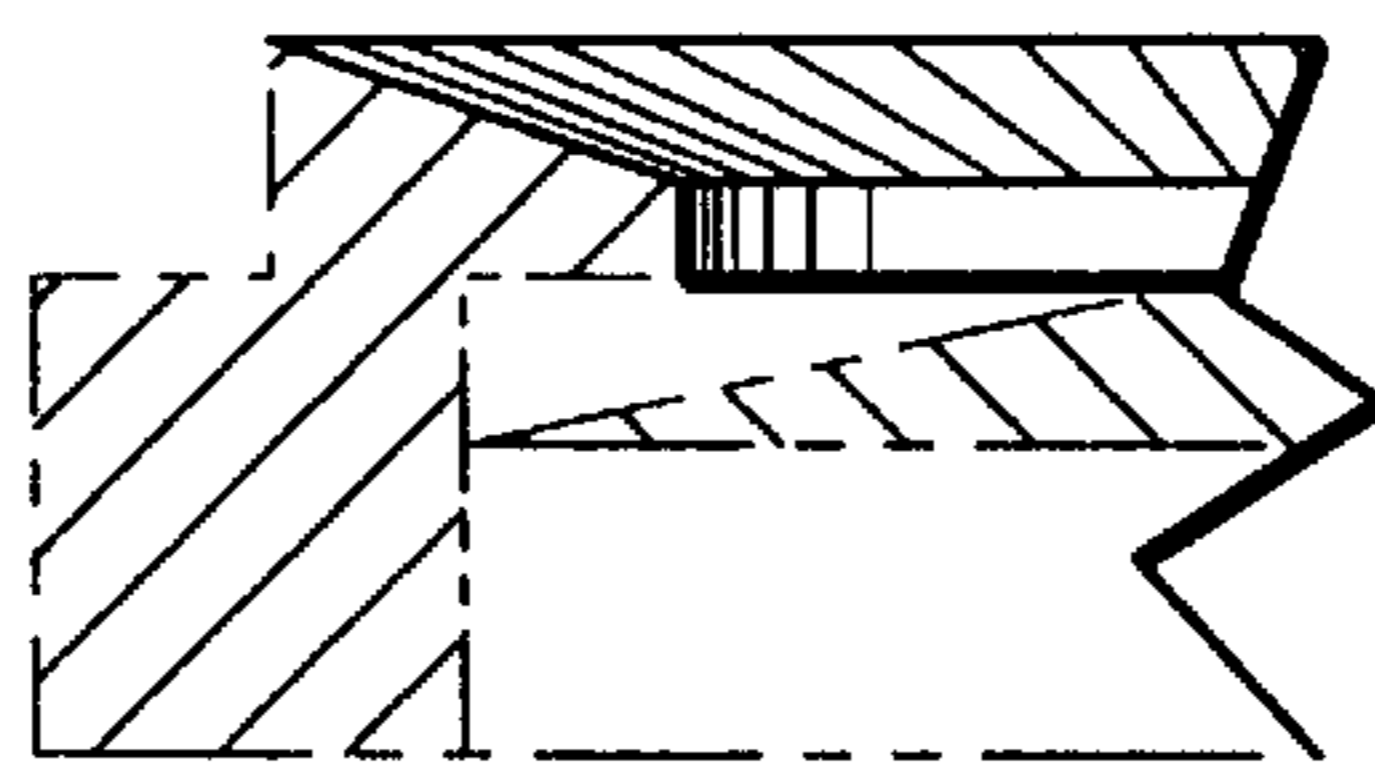


FIG. 38

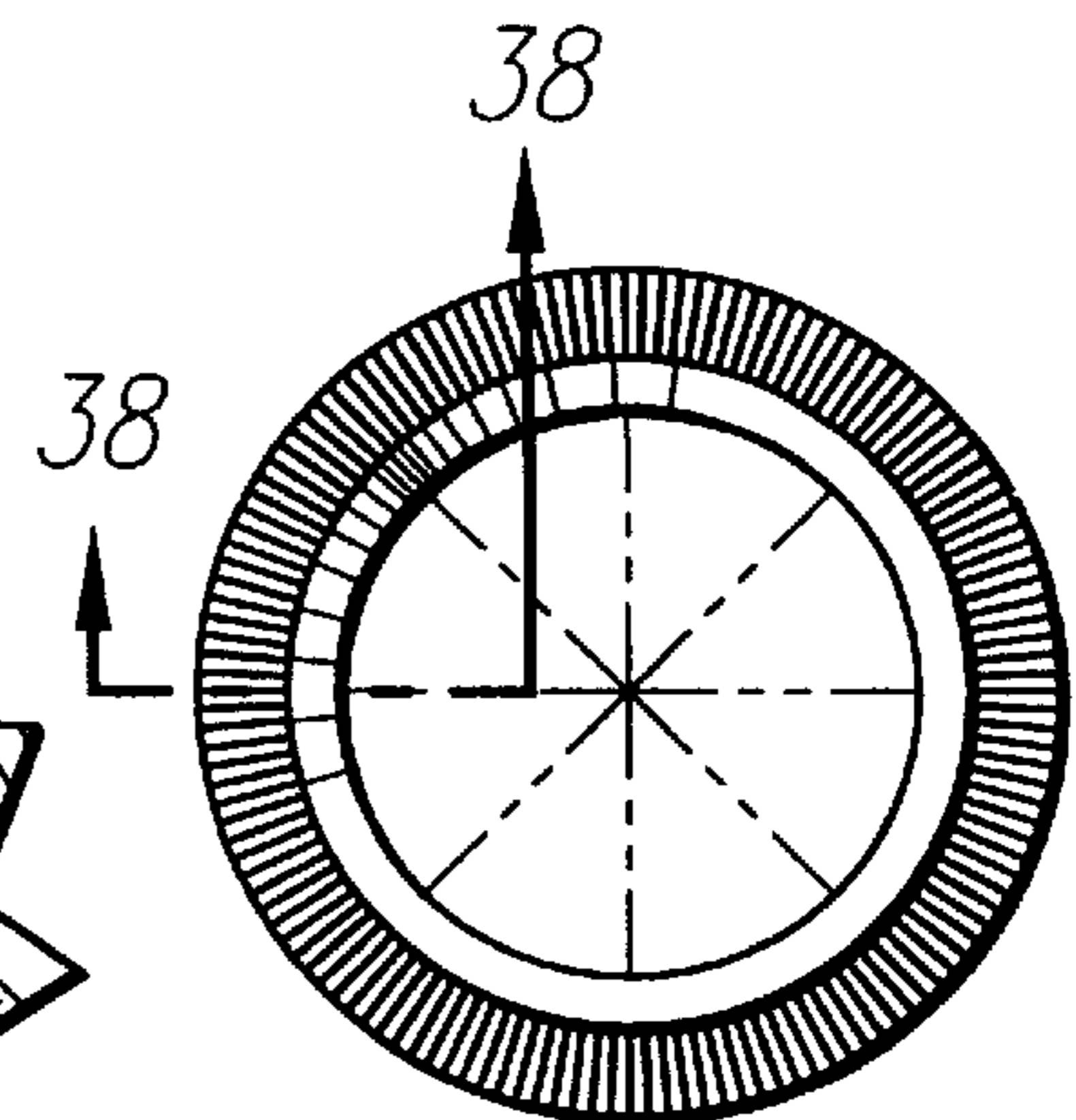


FIG. 37

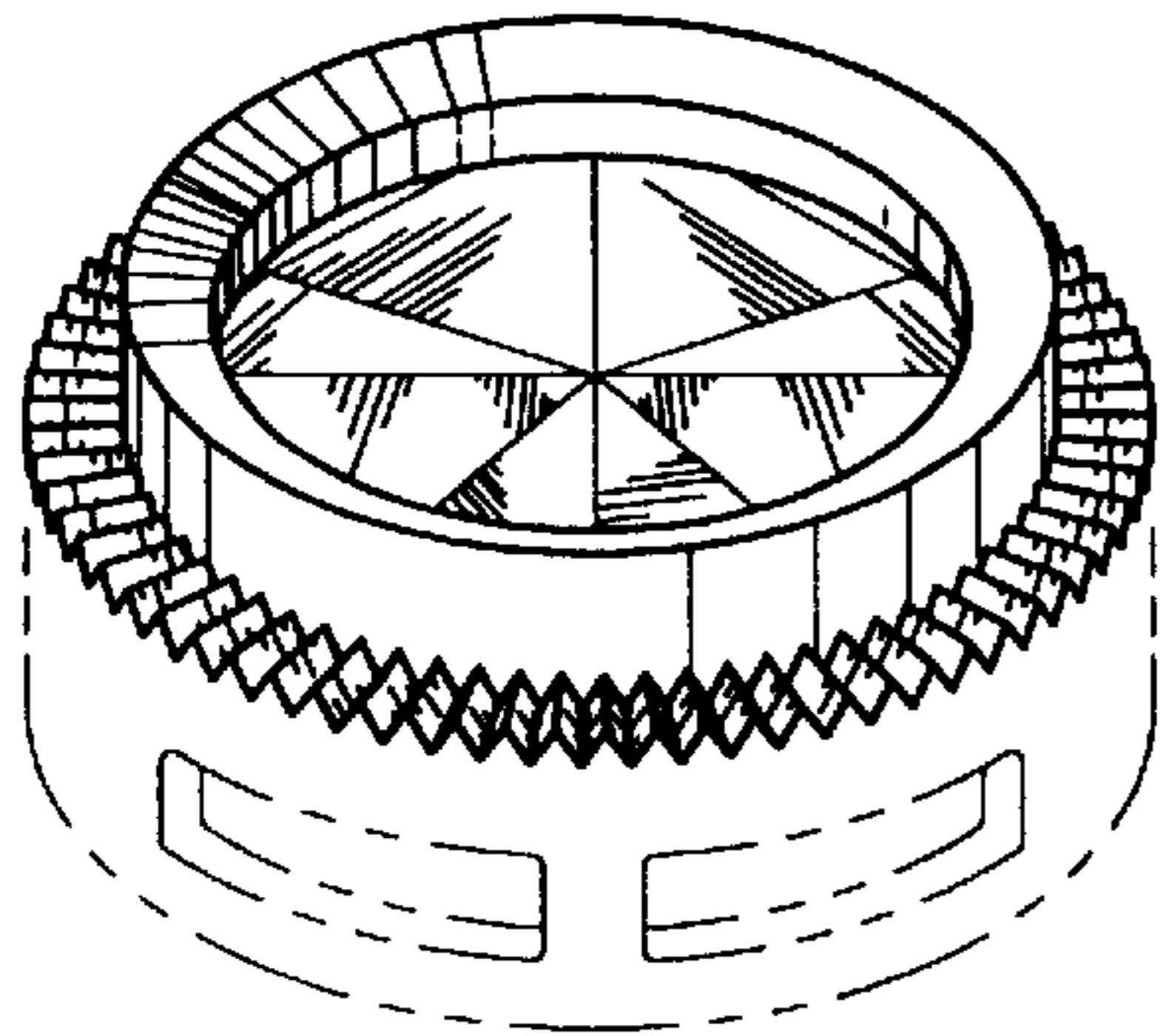


FIG. 39

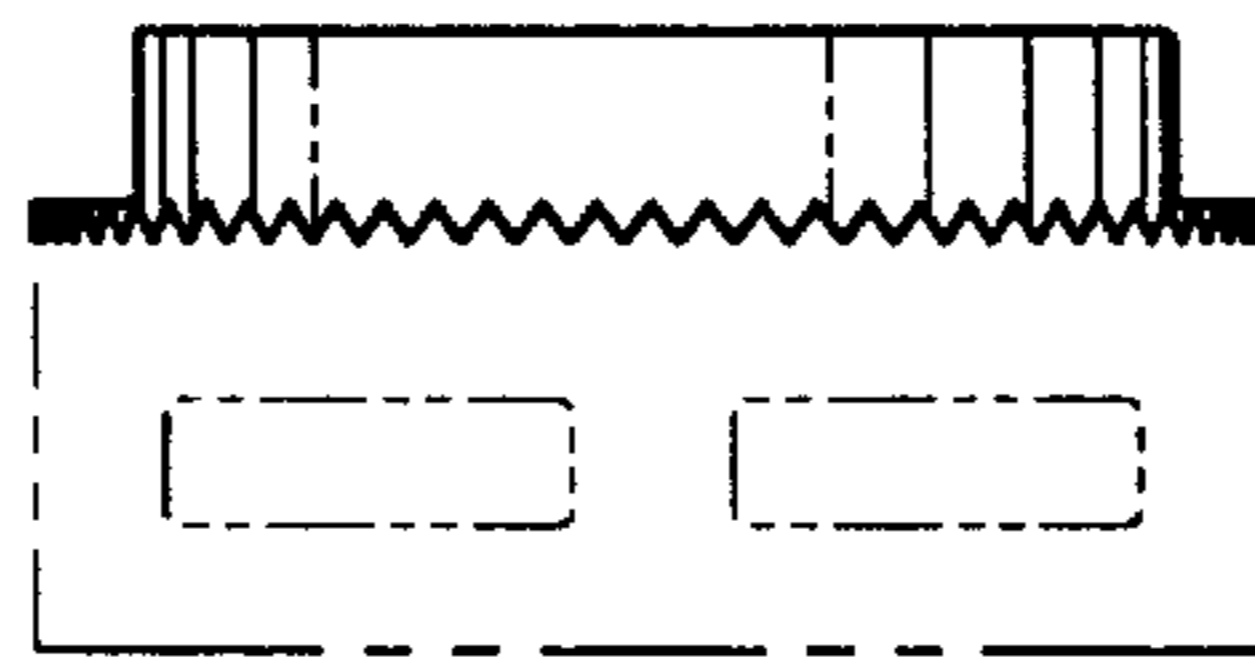


FIG. 41

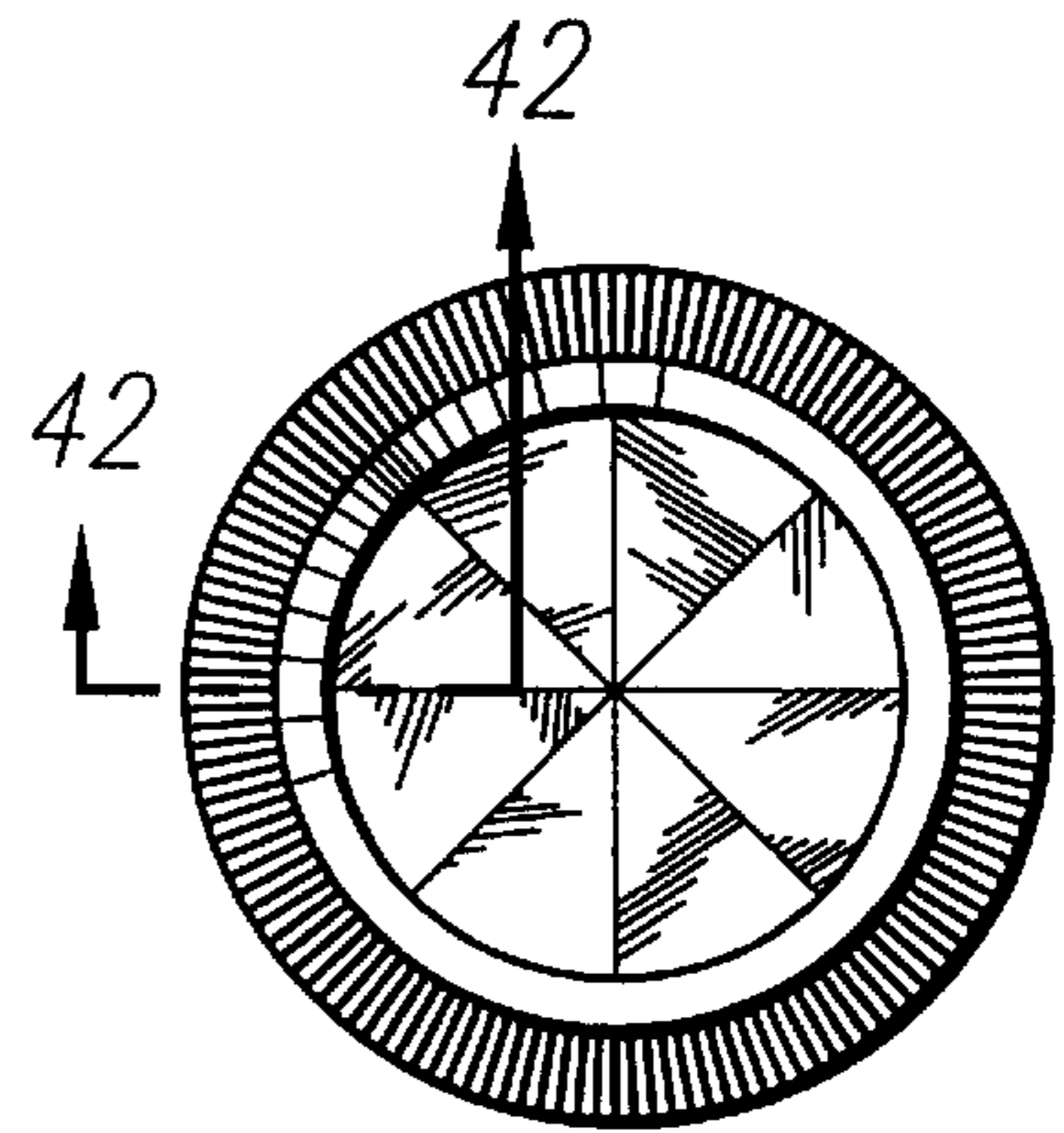


FIG. 40

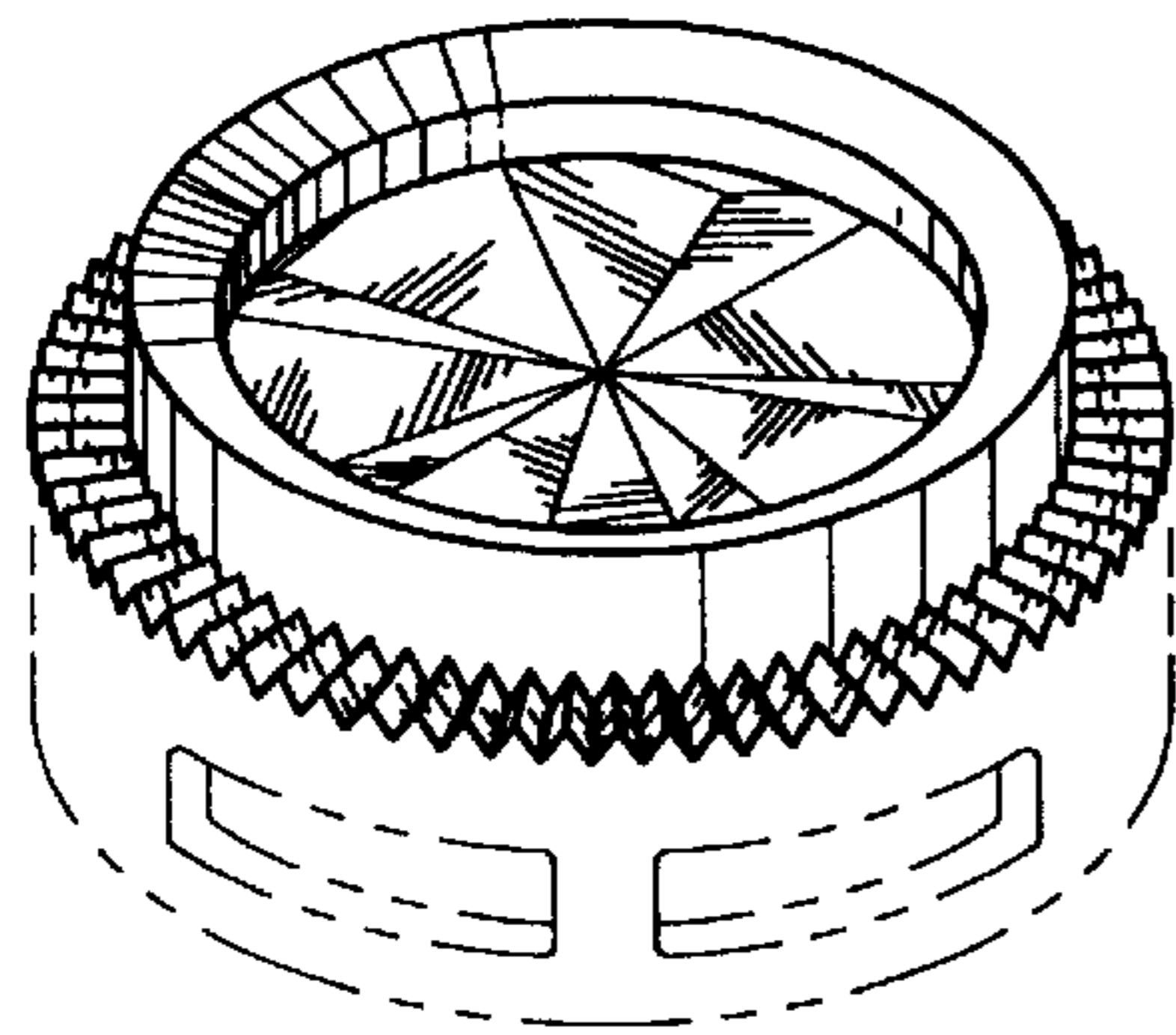


FIG. 43

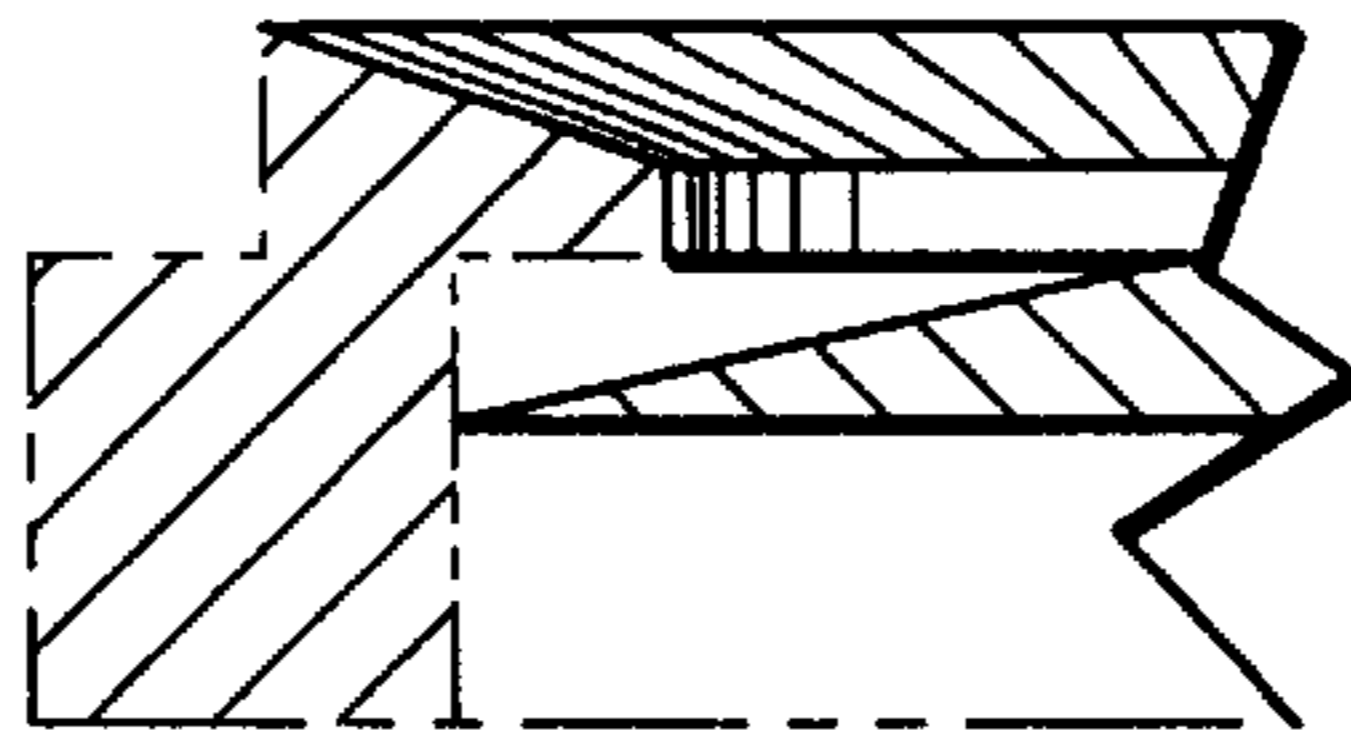


FIG. 42

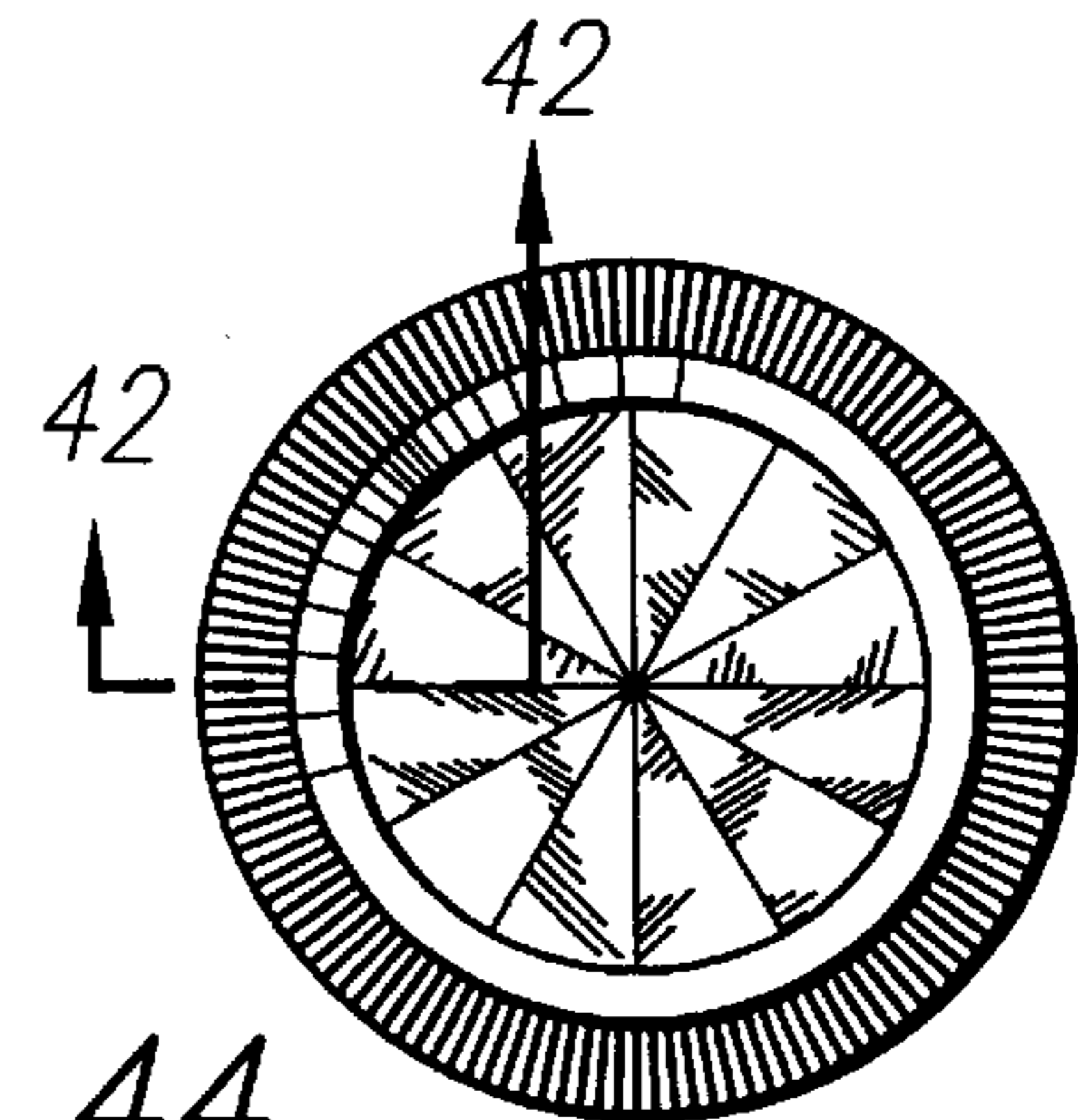


FIG. 44

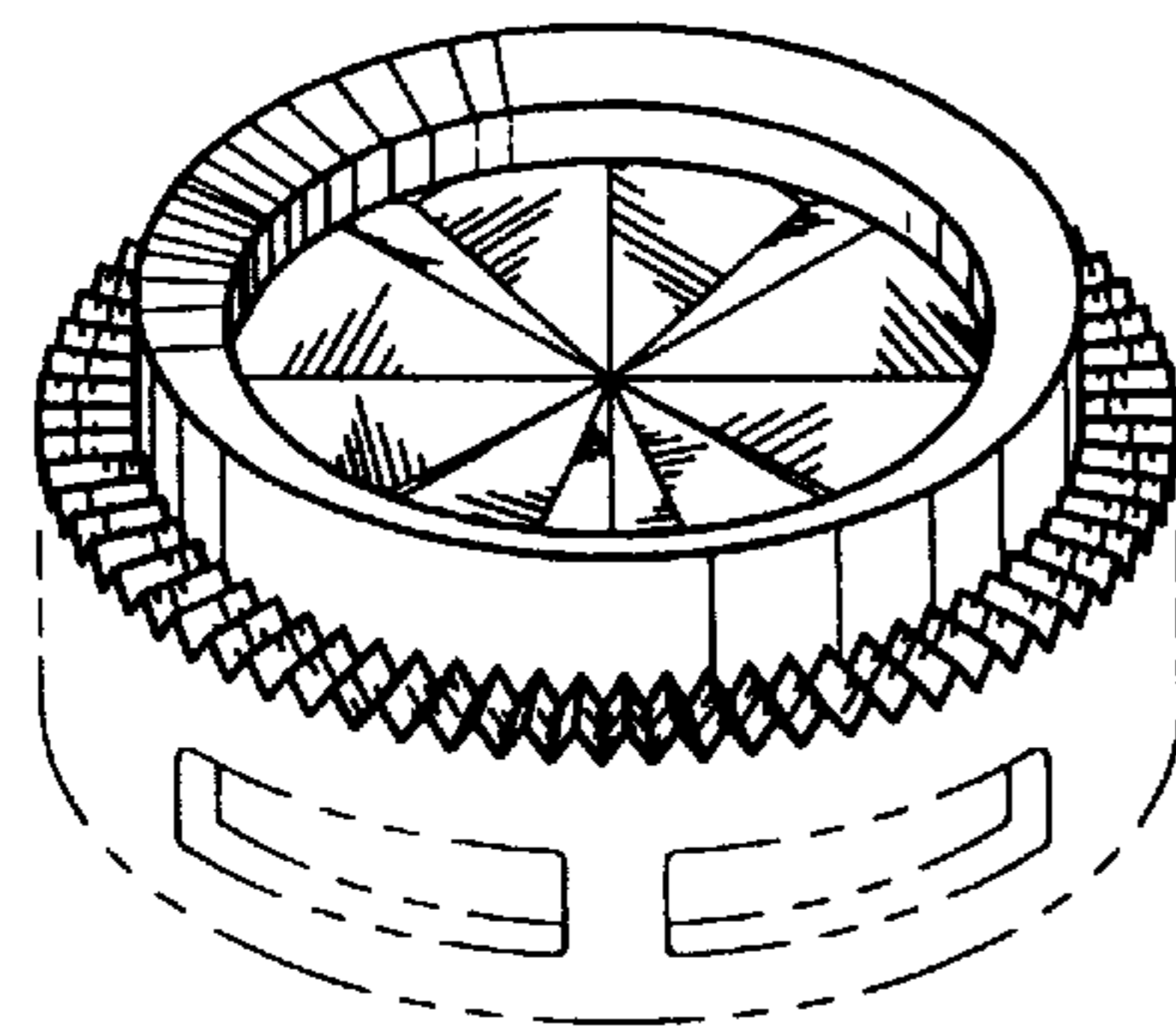


FIG. 45

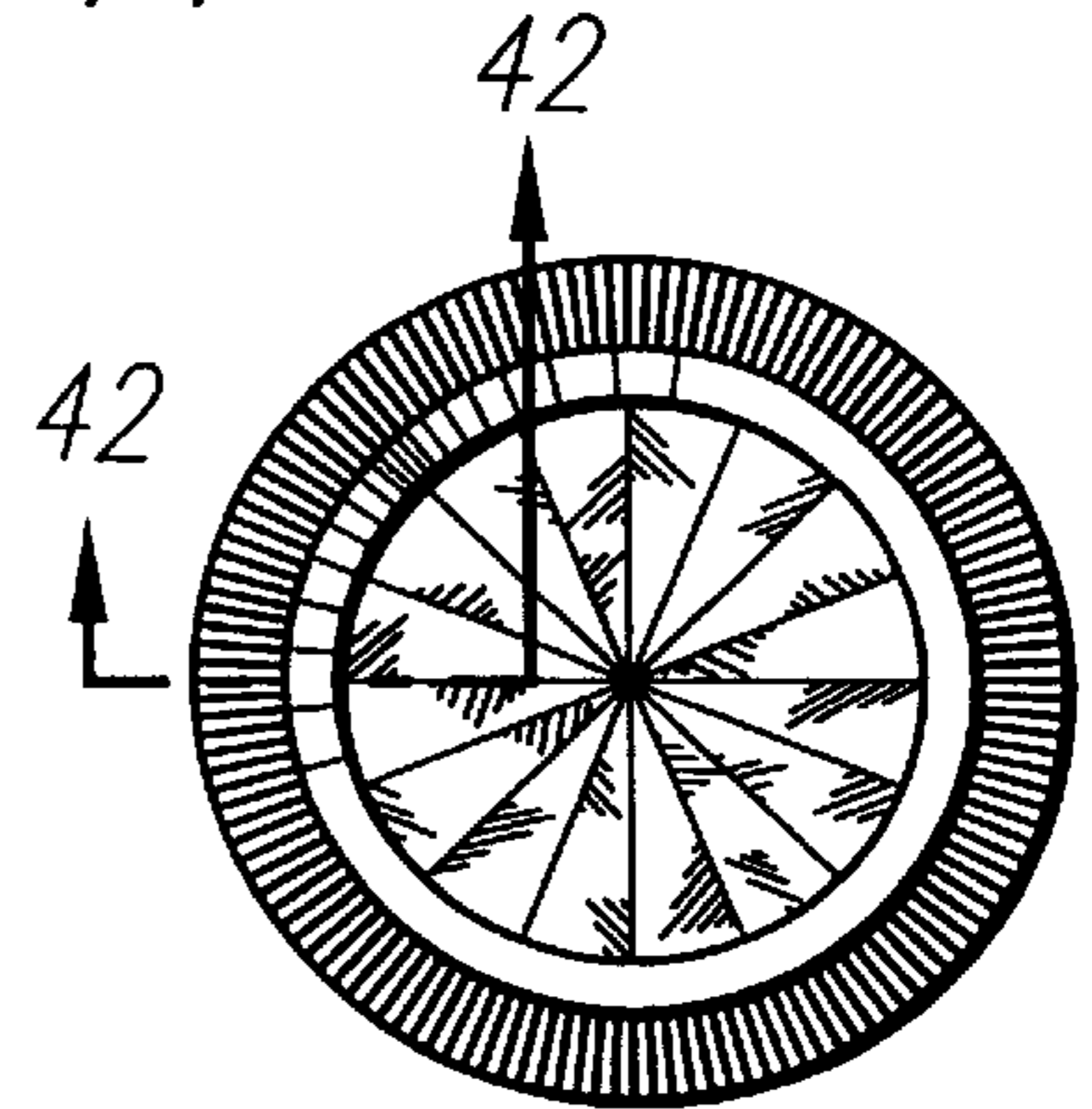


FIG. 46

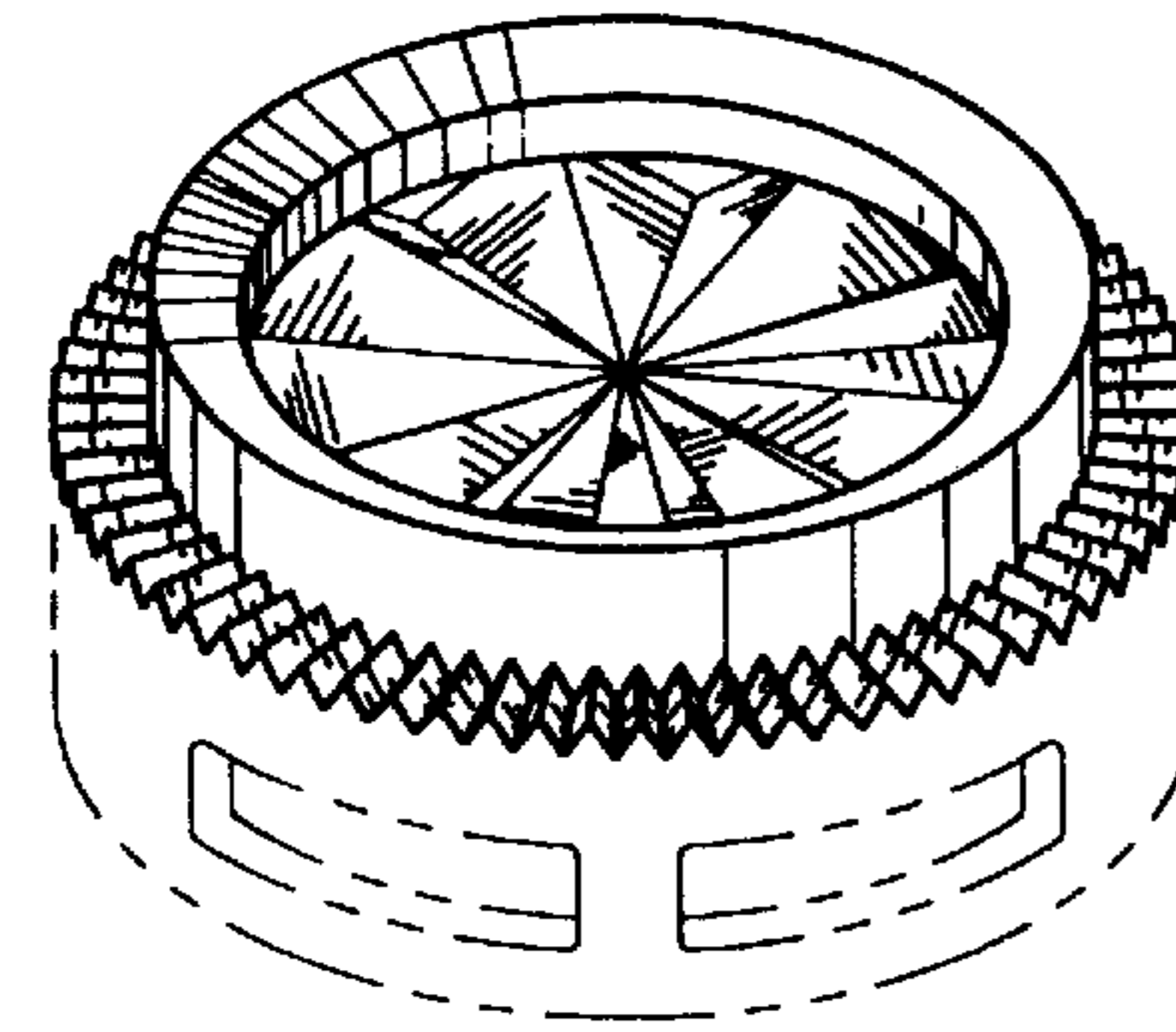


FIG. 47

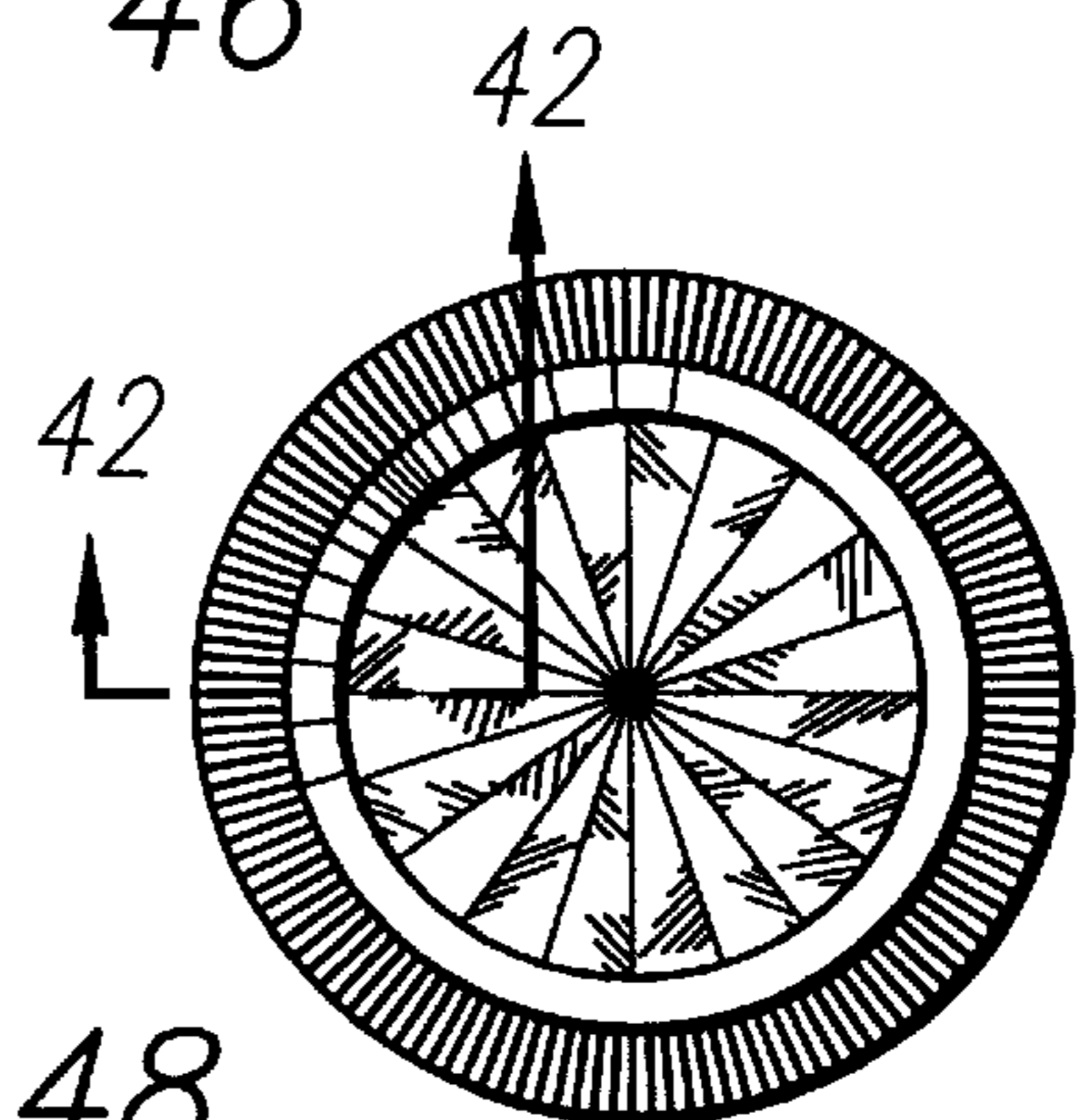


FIG. 48

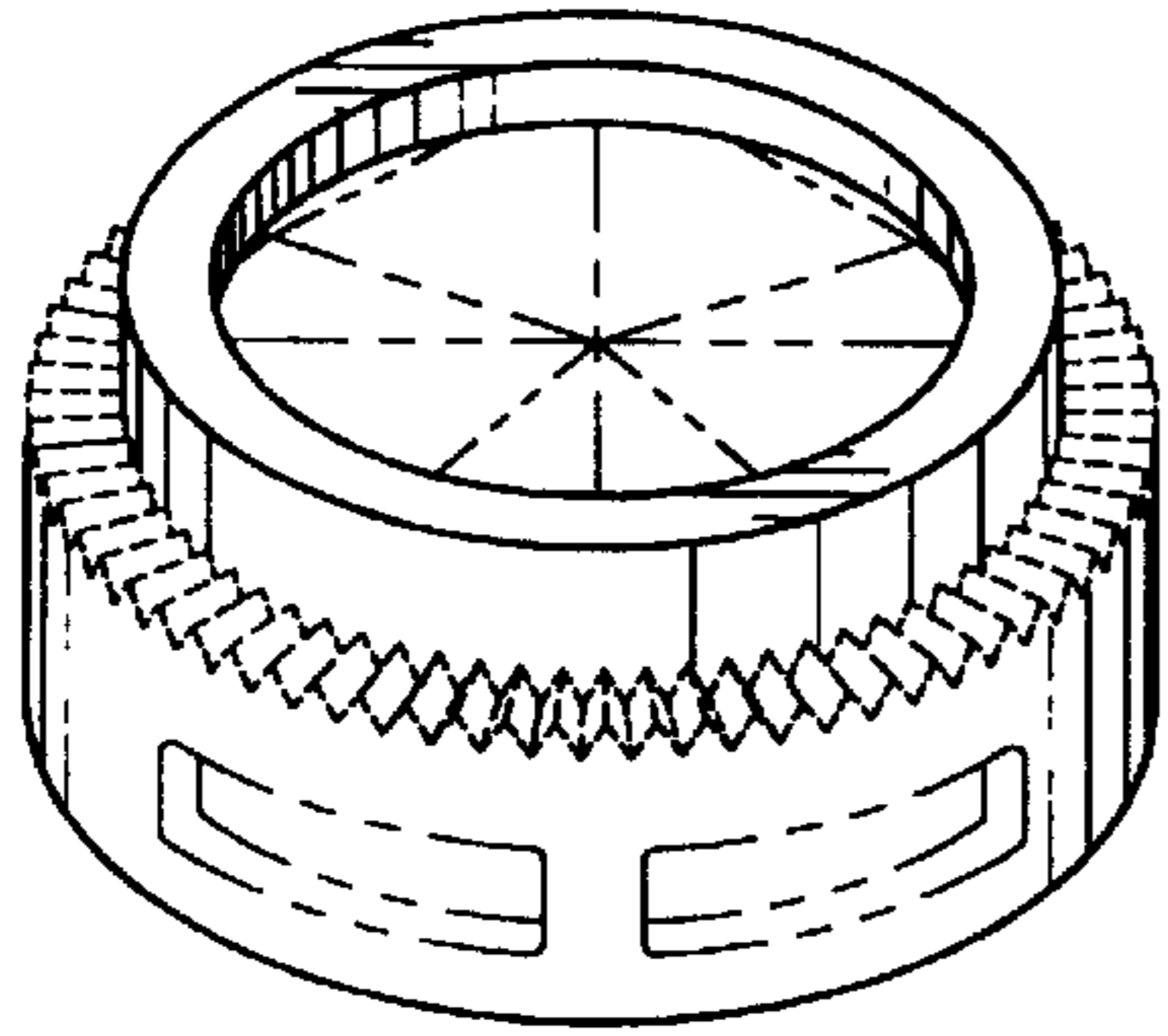


FIG. 49

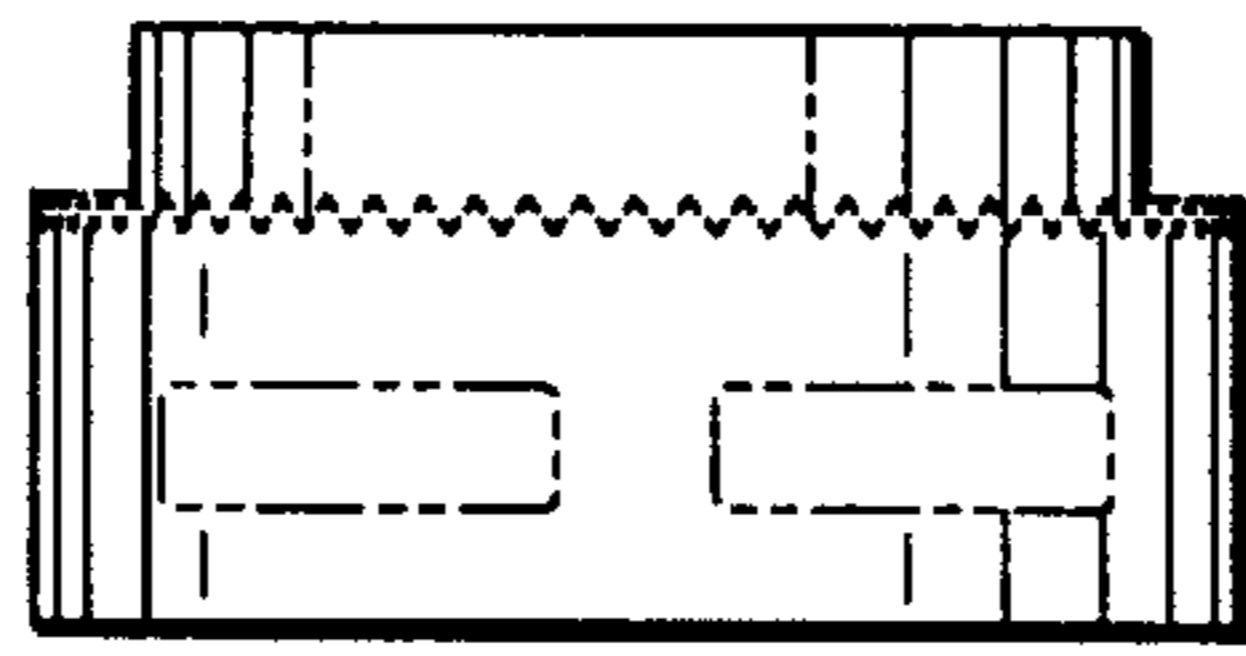


FIG. 51

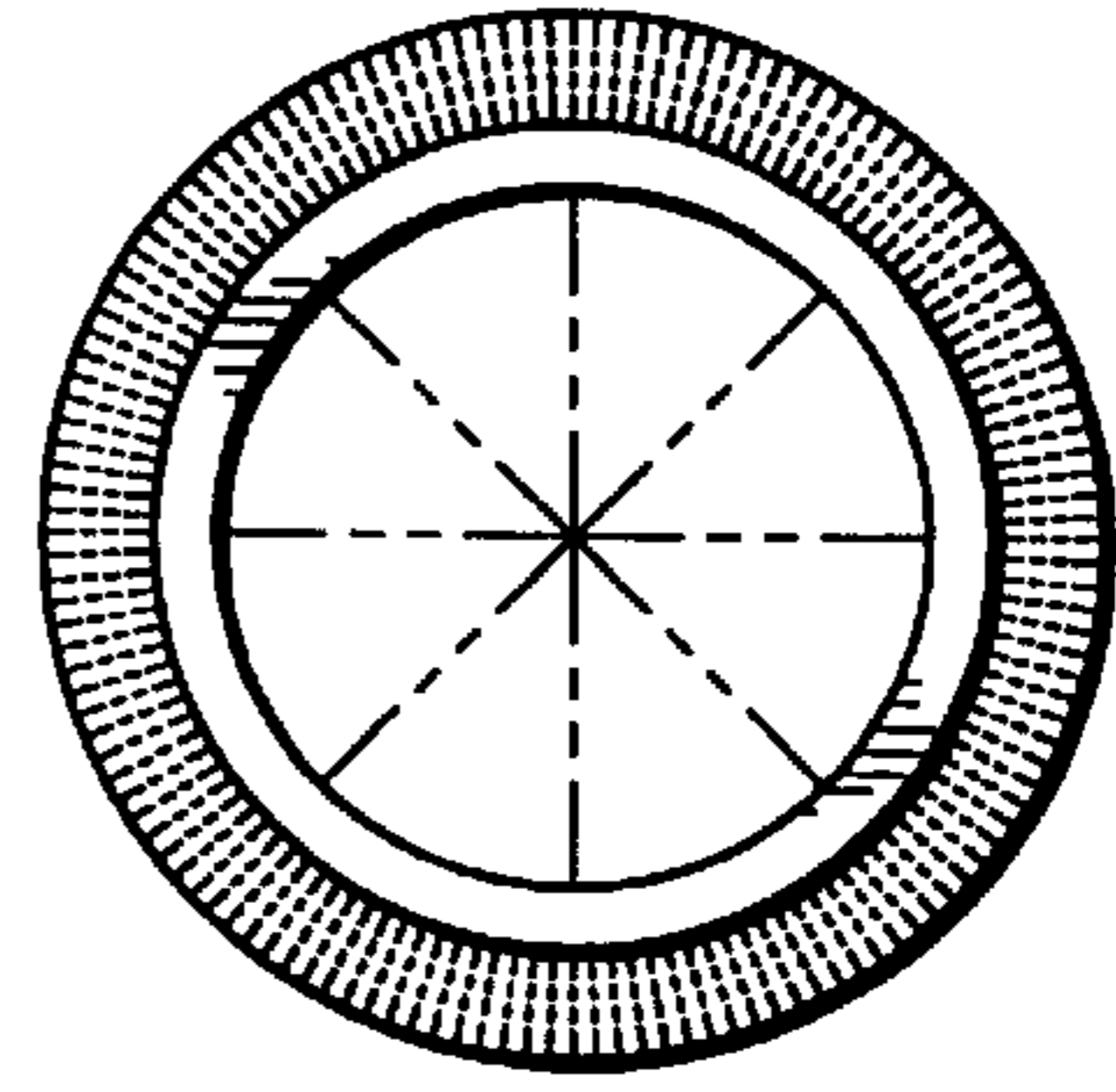


FIG. 50

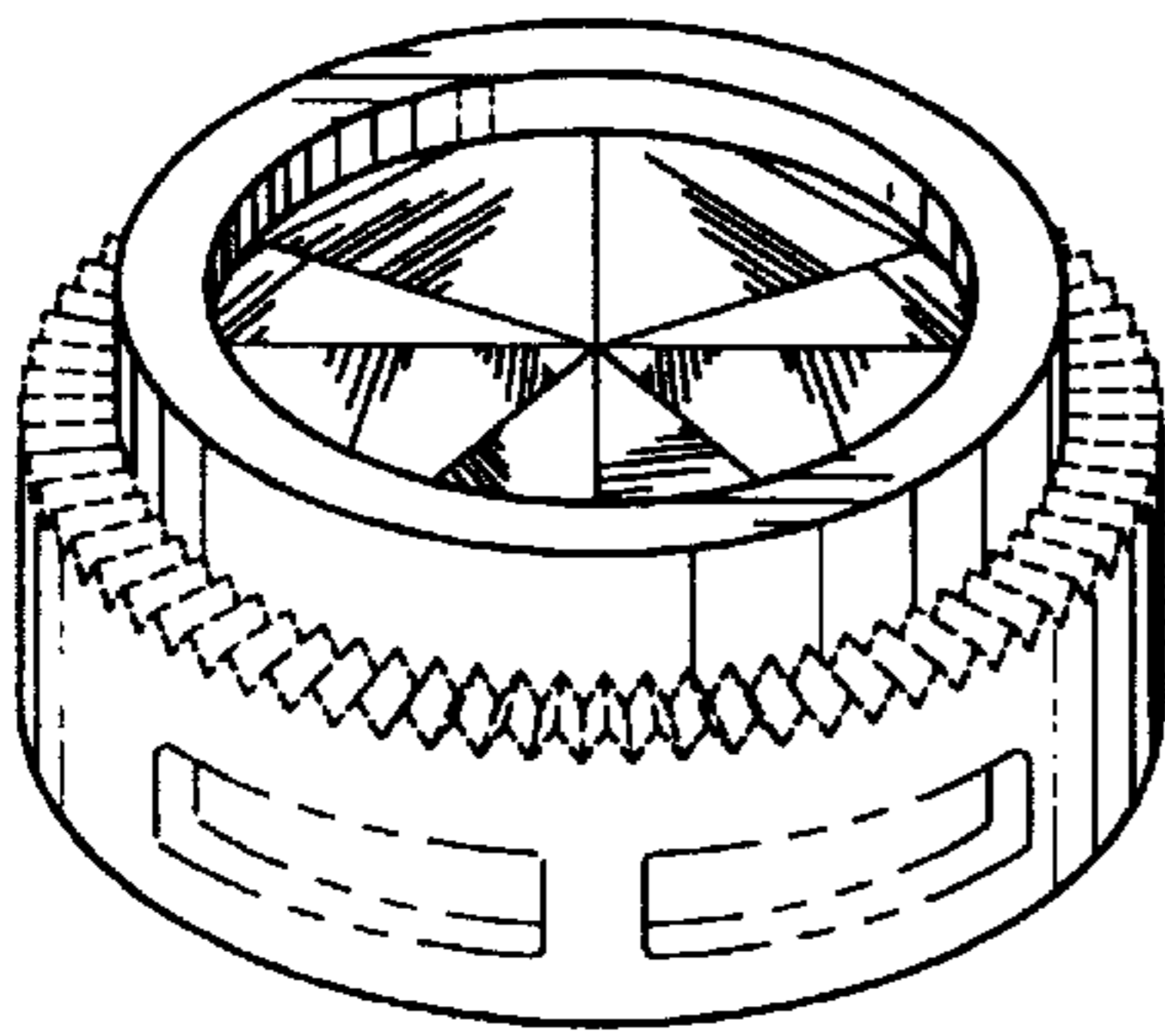


FIG. 52

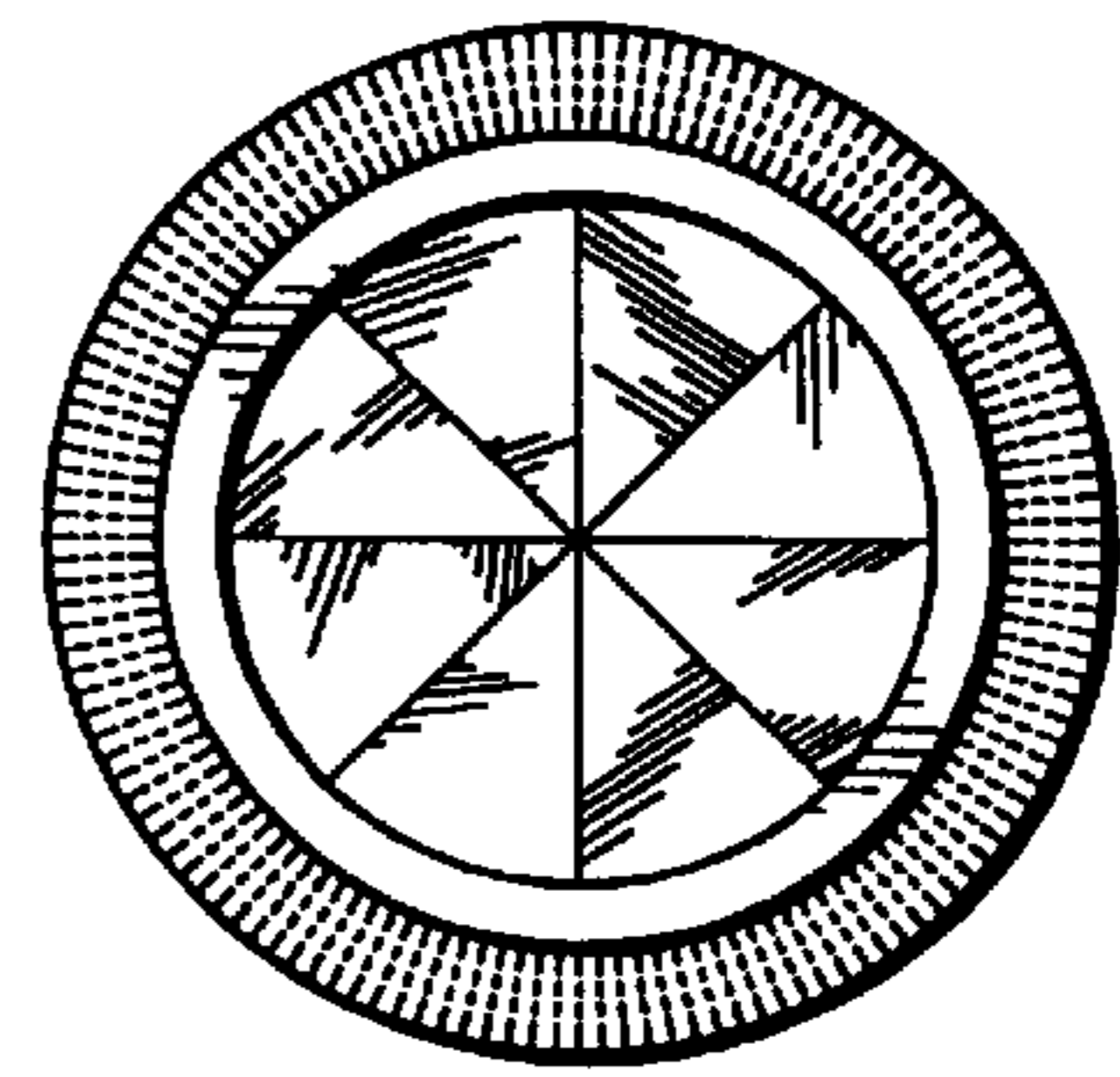


FIG. 53

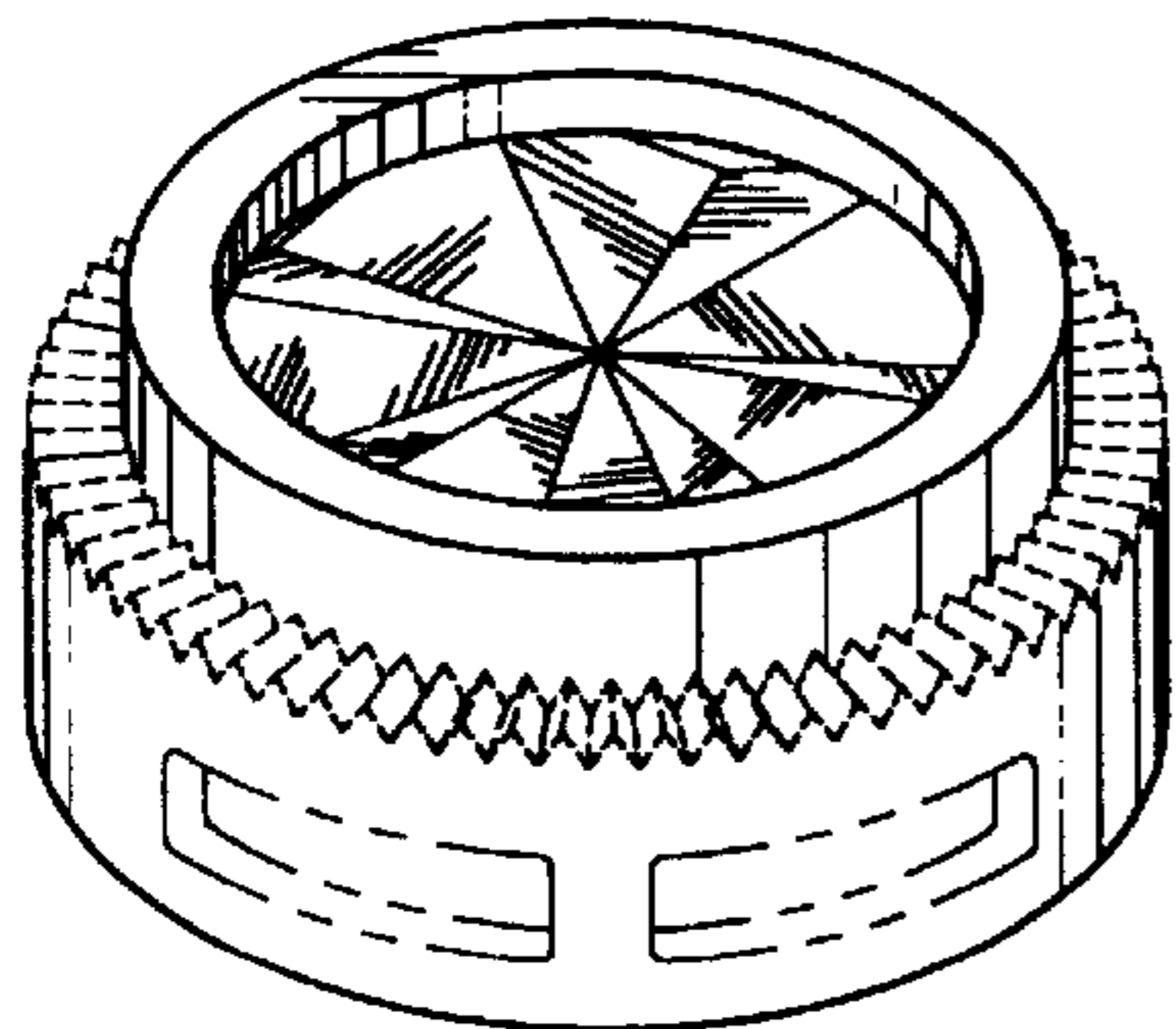


FIG. 54

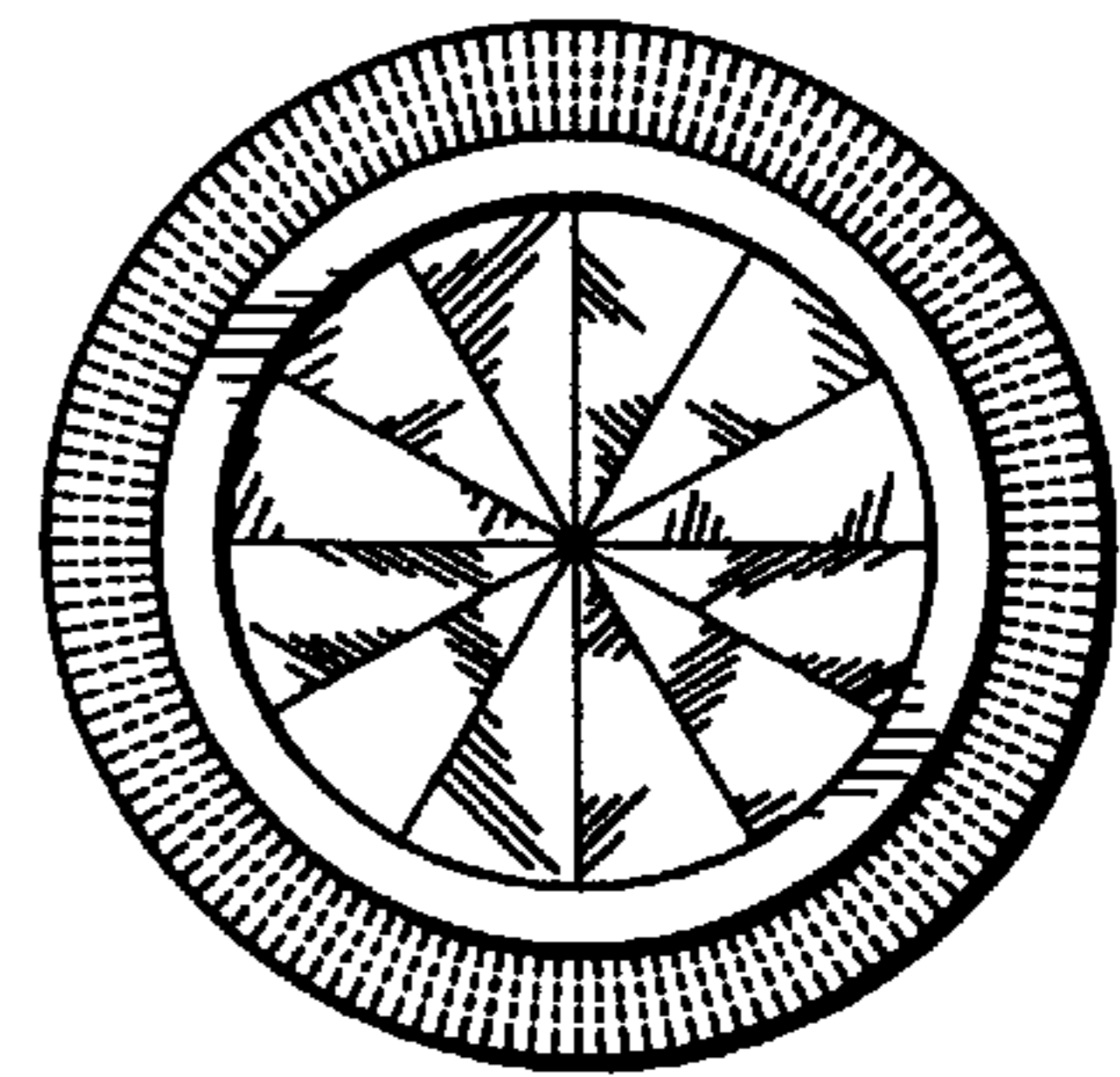


FIG. 55

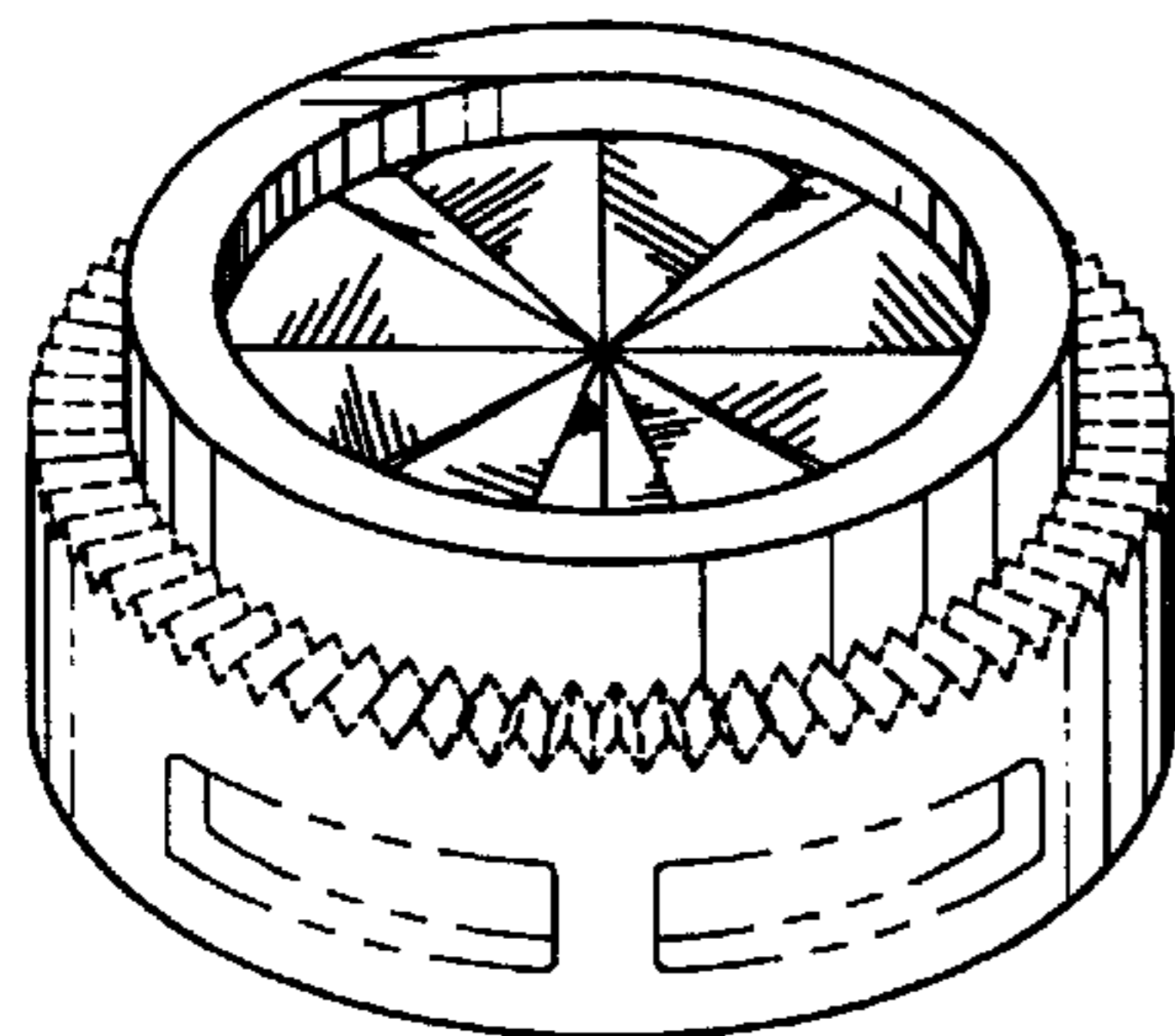


FIG. 56

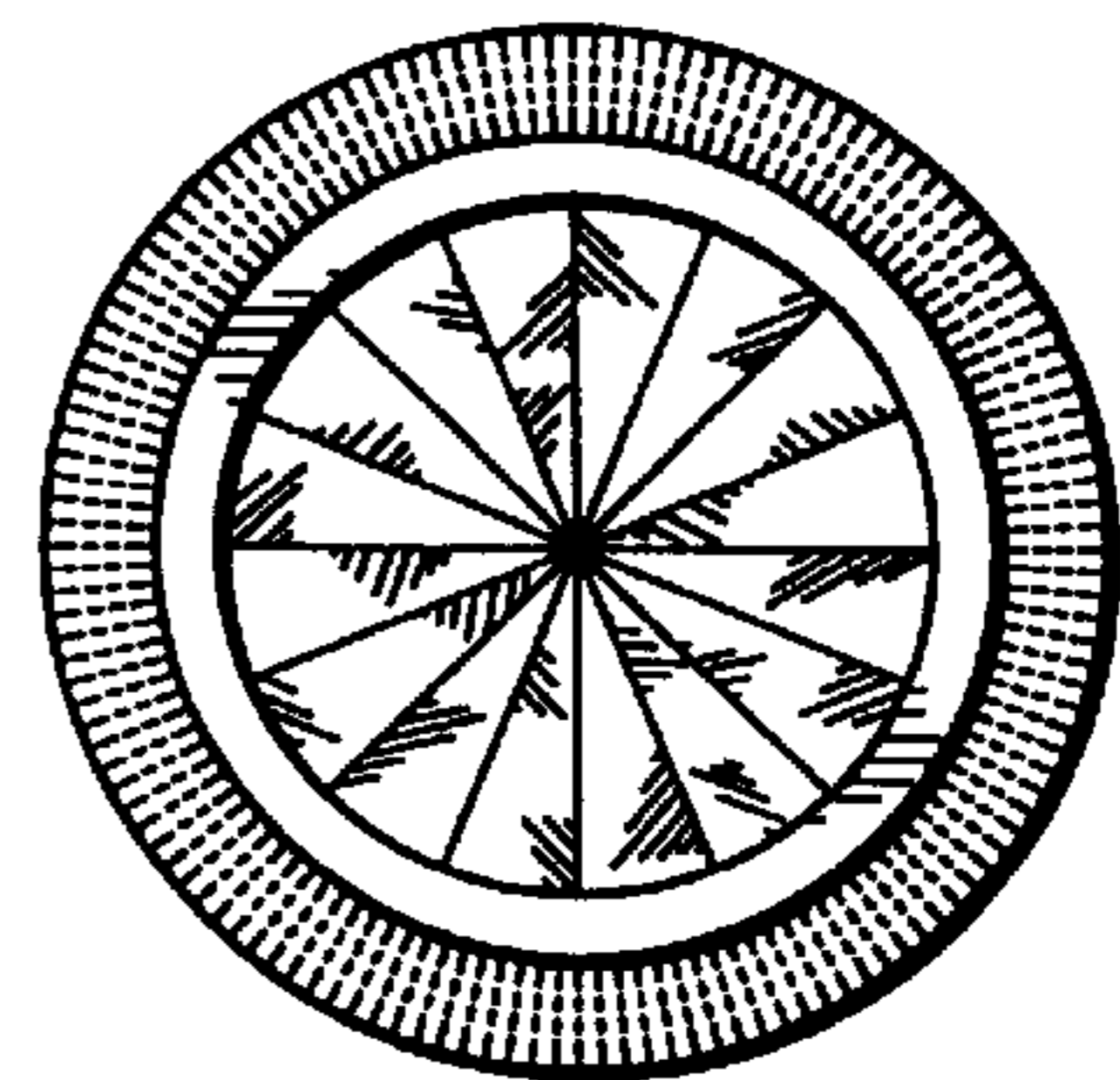


FIG. 57

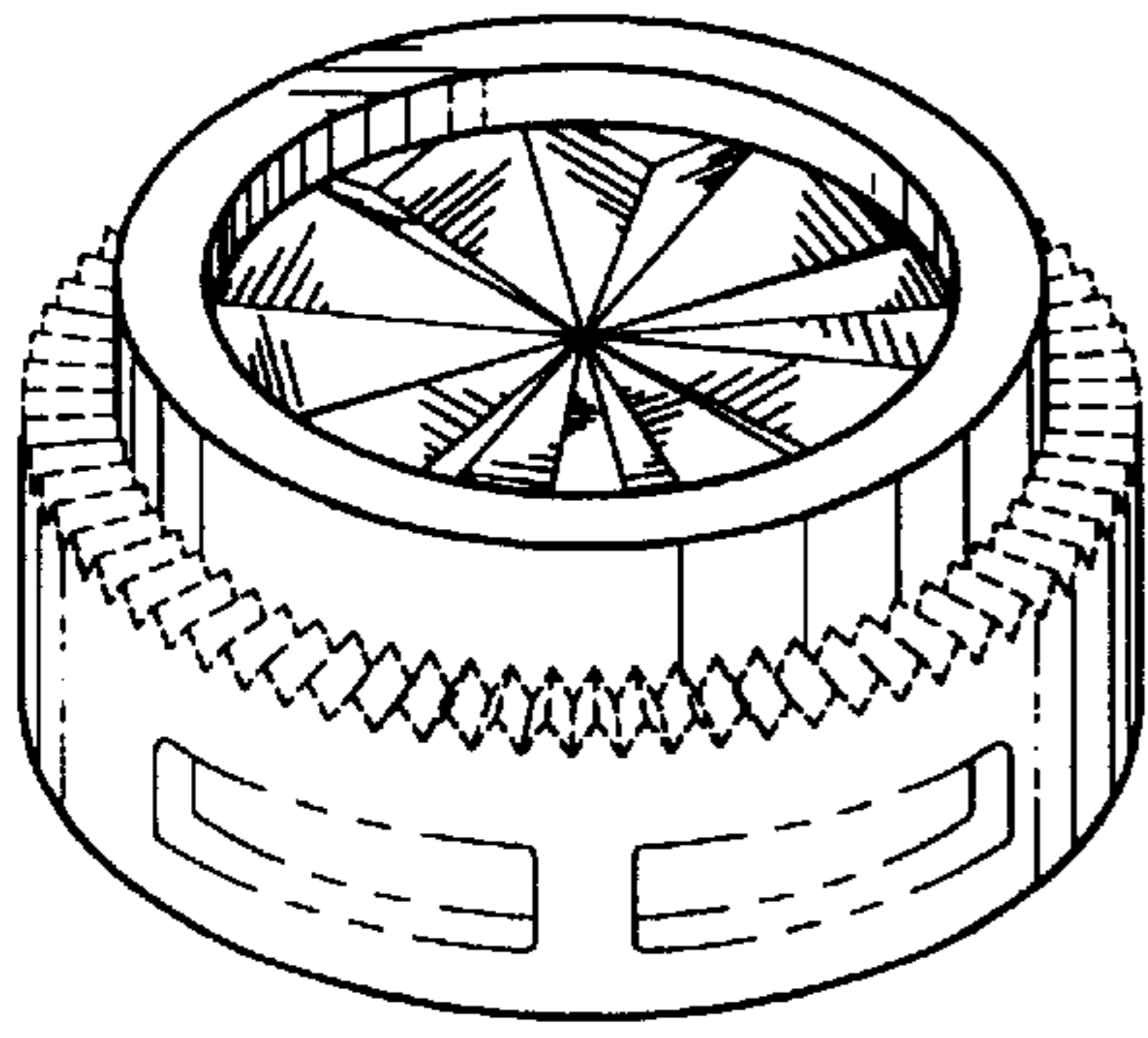


FIG. 58

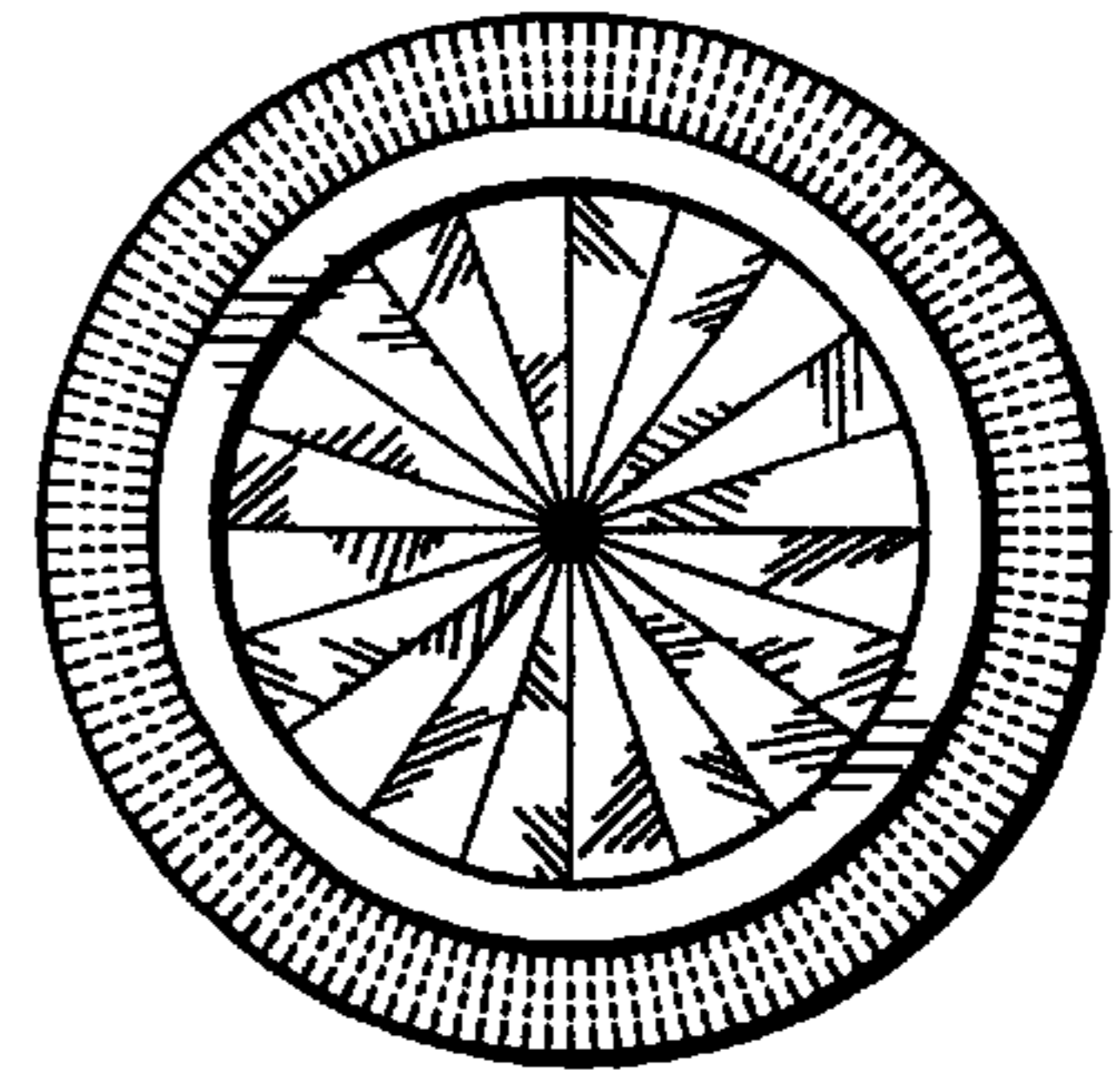


FIG. 59

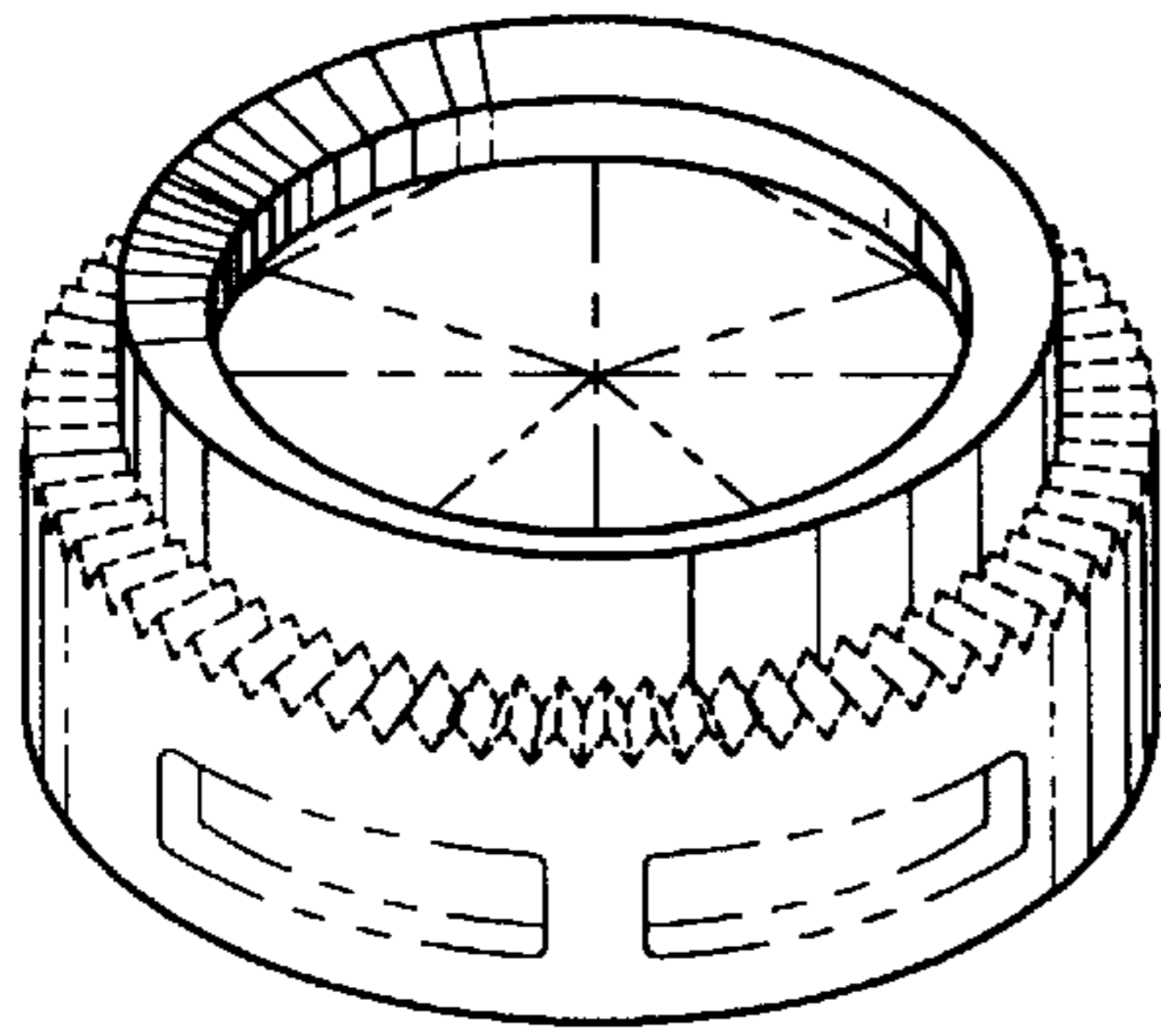


FIG. 60

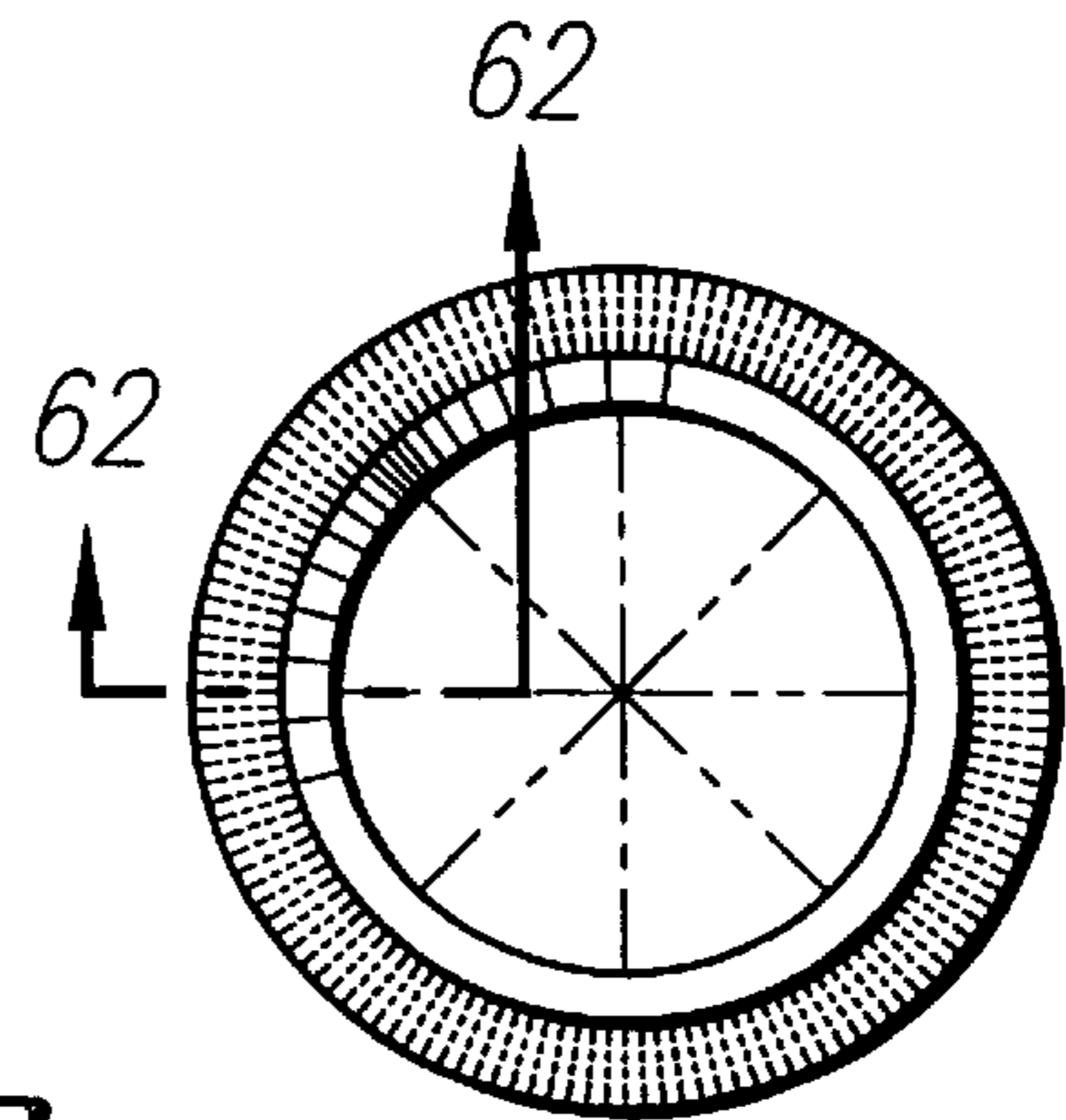


FIG. 61

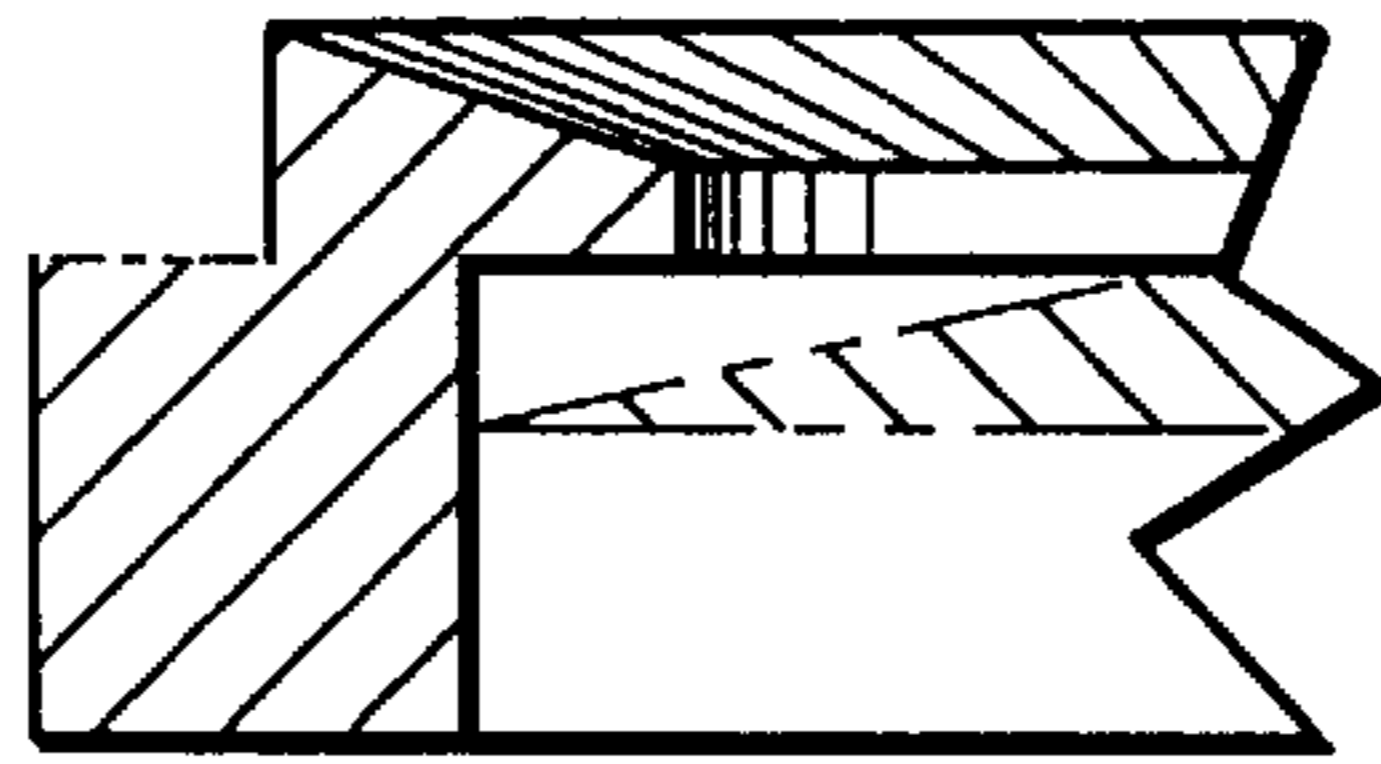


FIG. 62

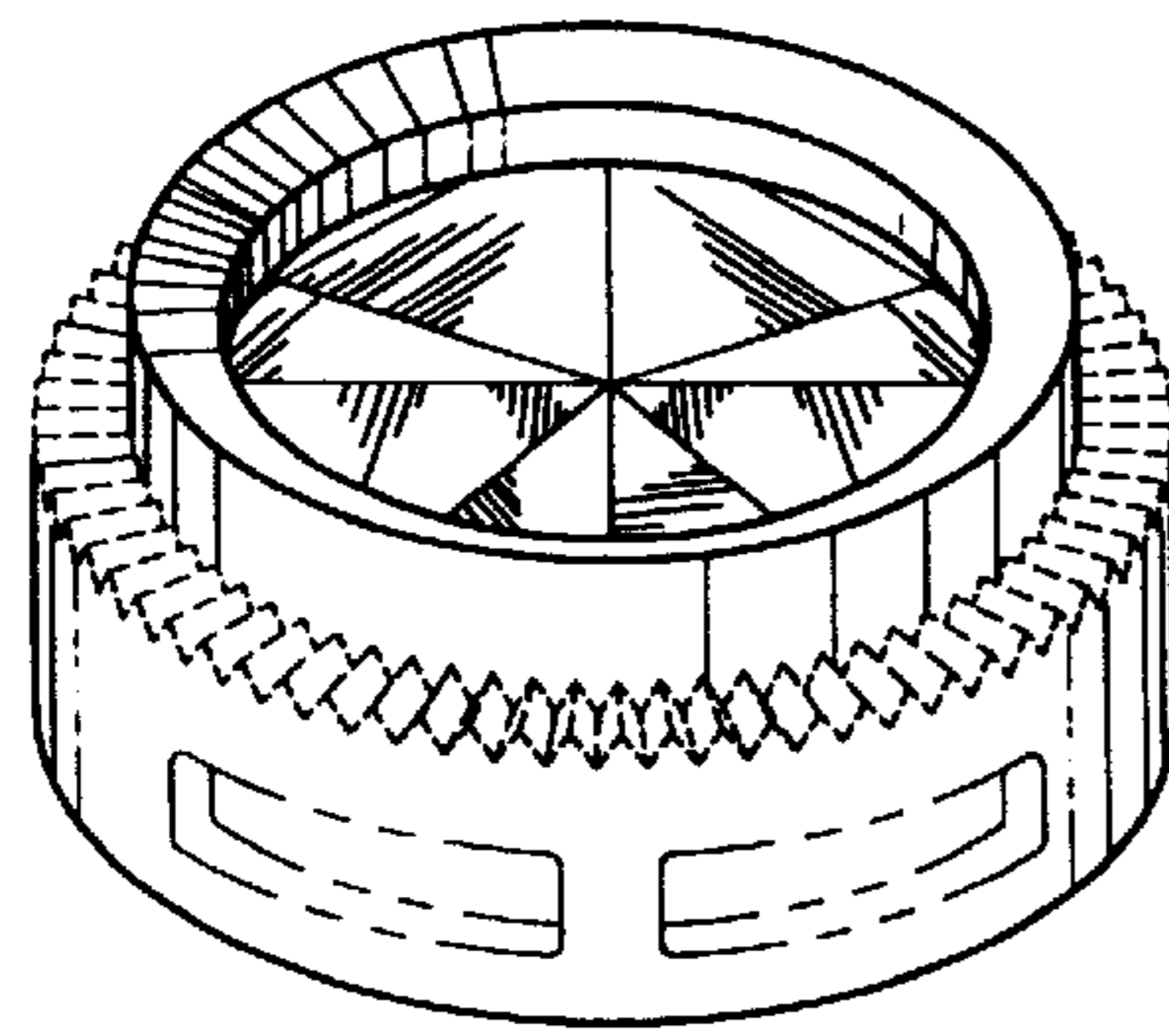


FIG. 63

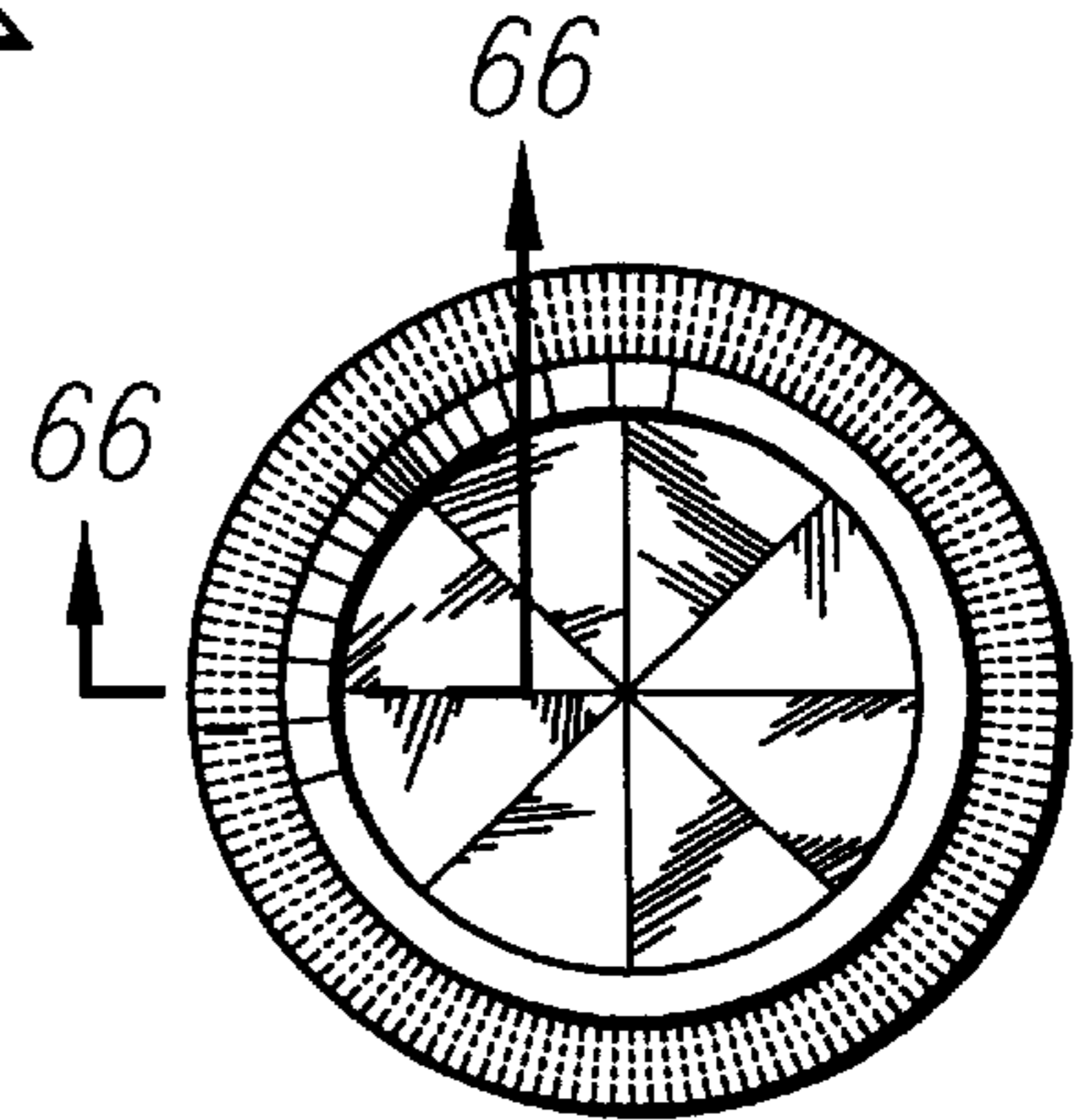


FIG. 64

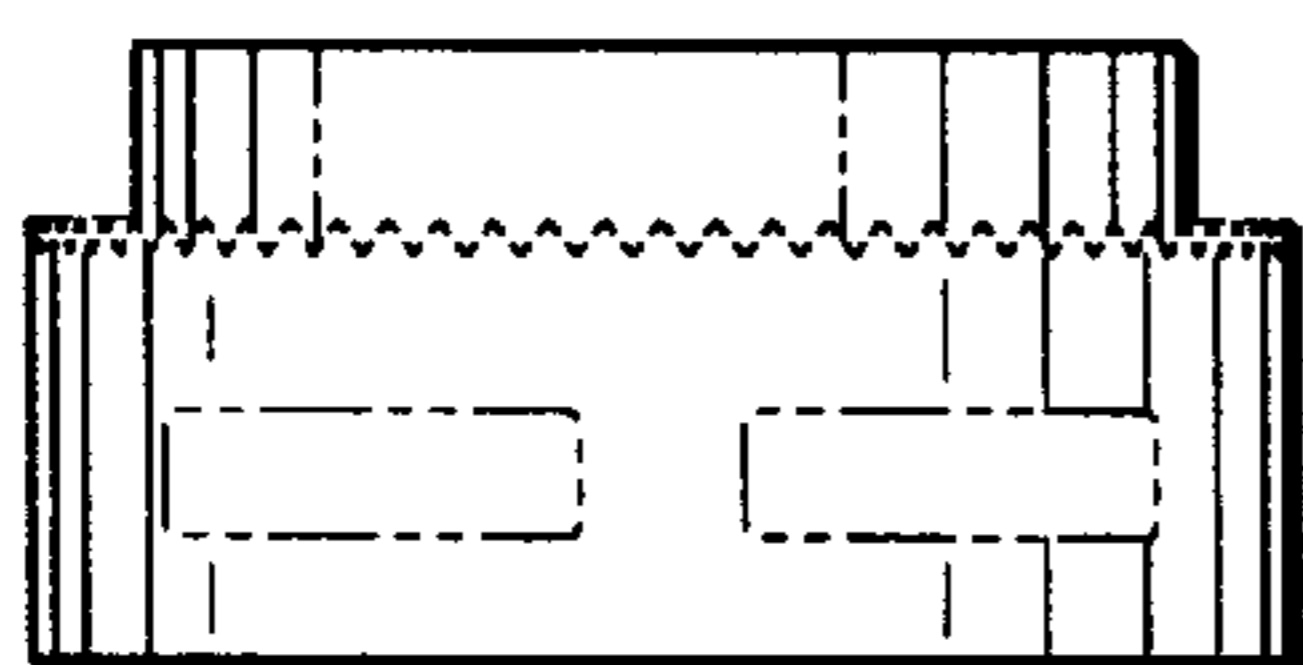


FIG. 65

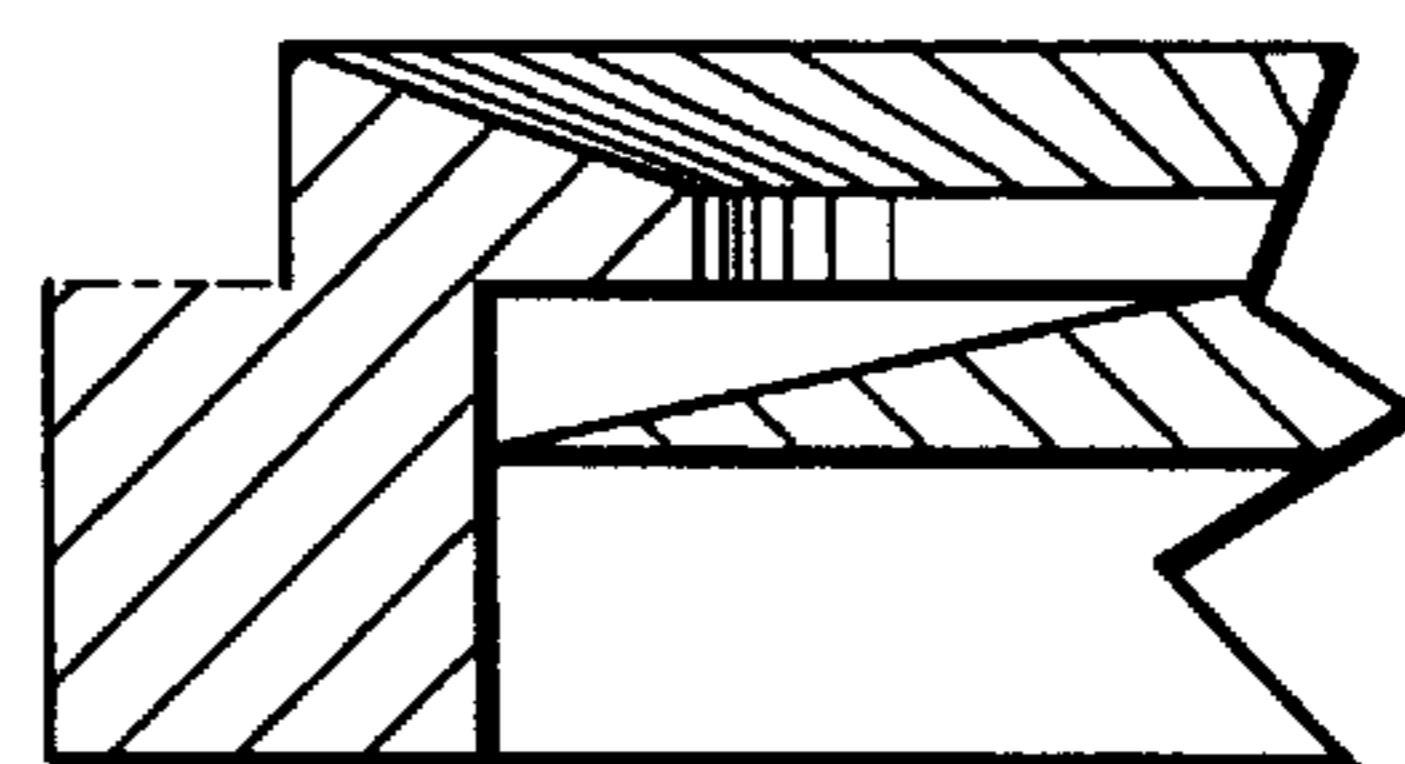


FIG. 66

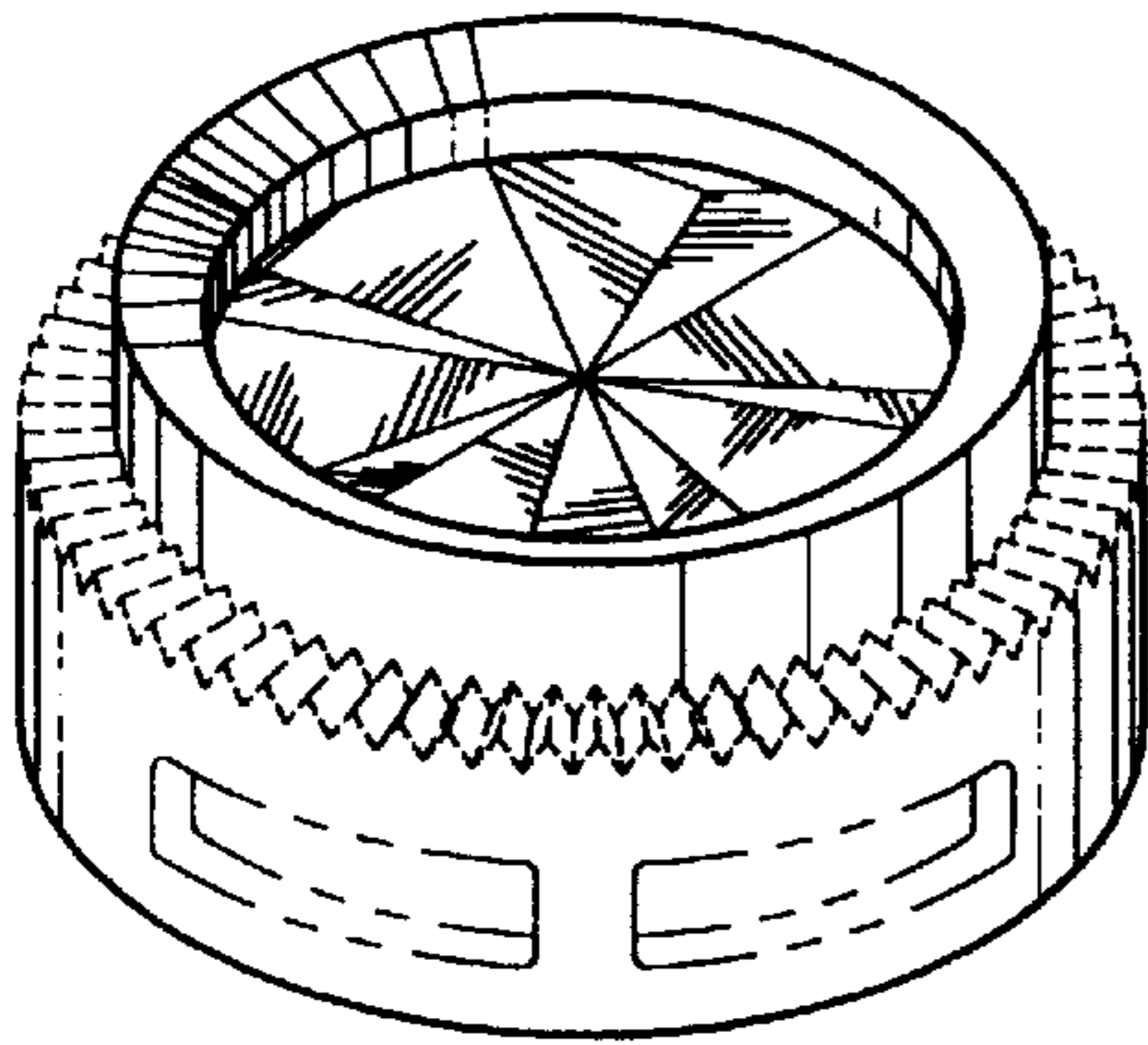


FIG. 67

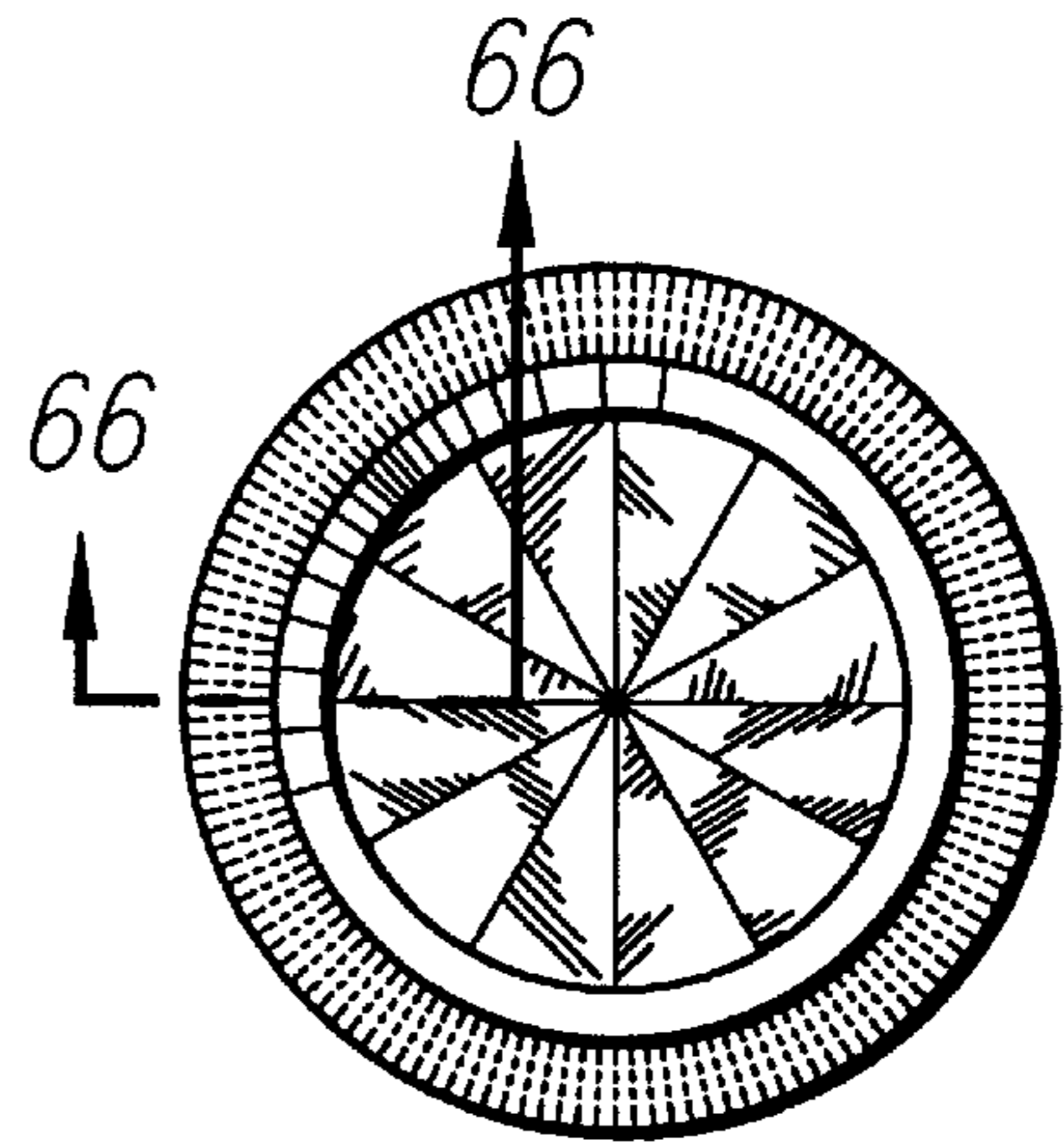


FIG. 68

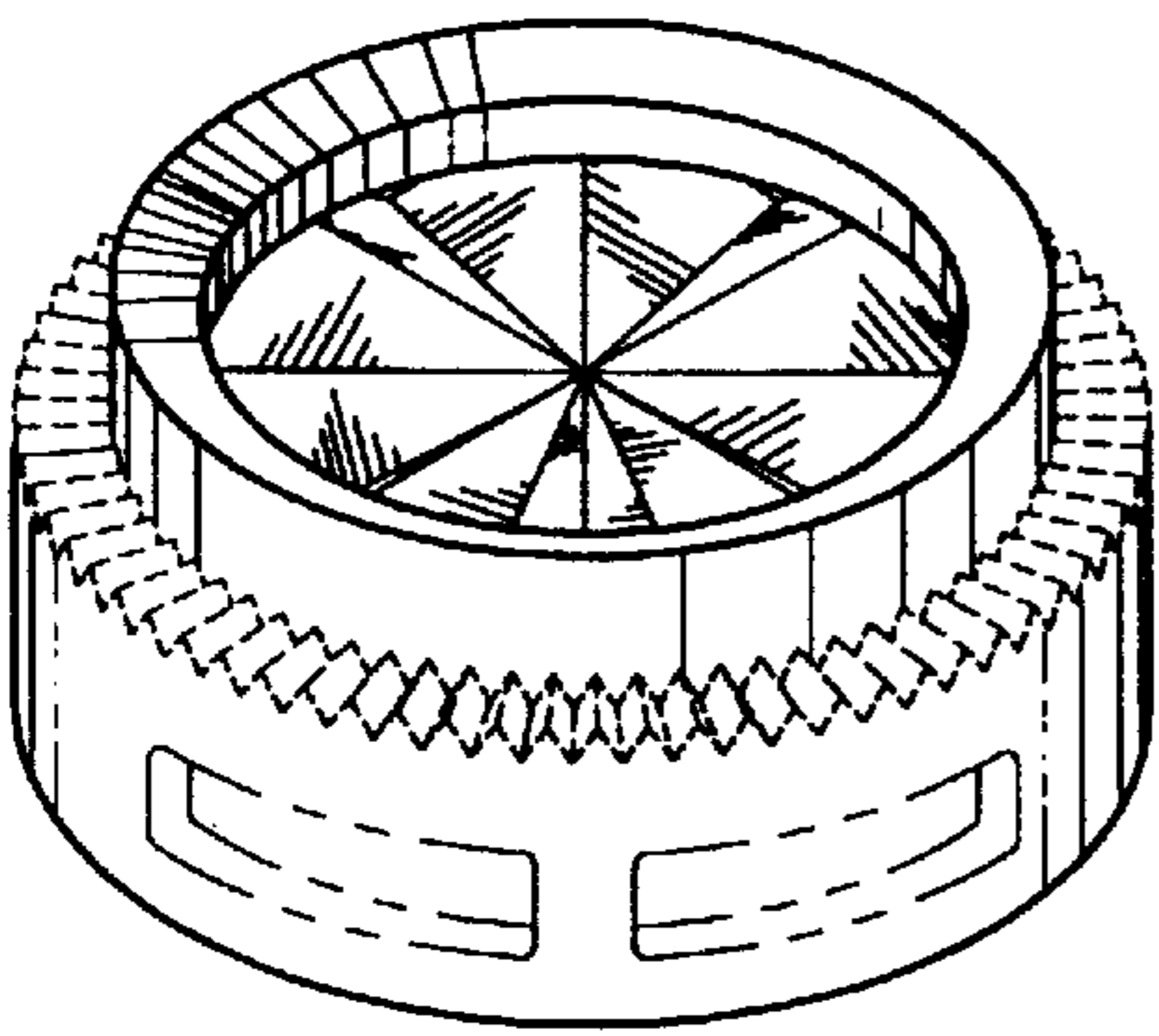


FIG. 69

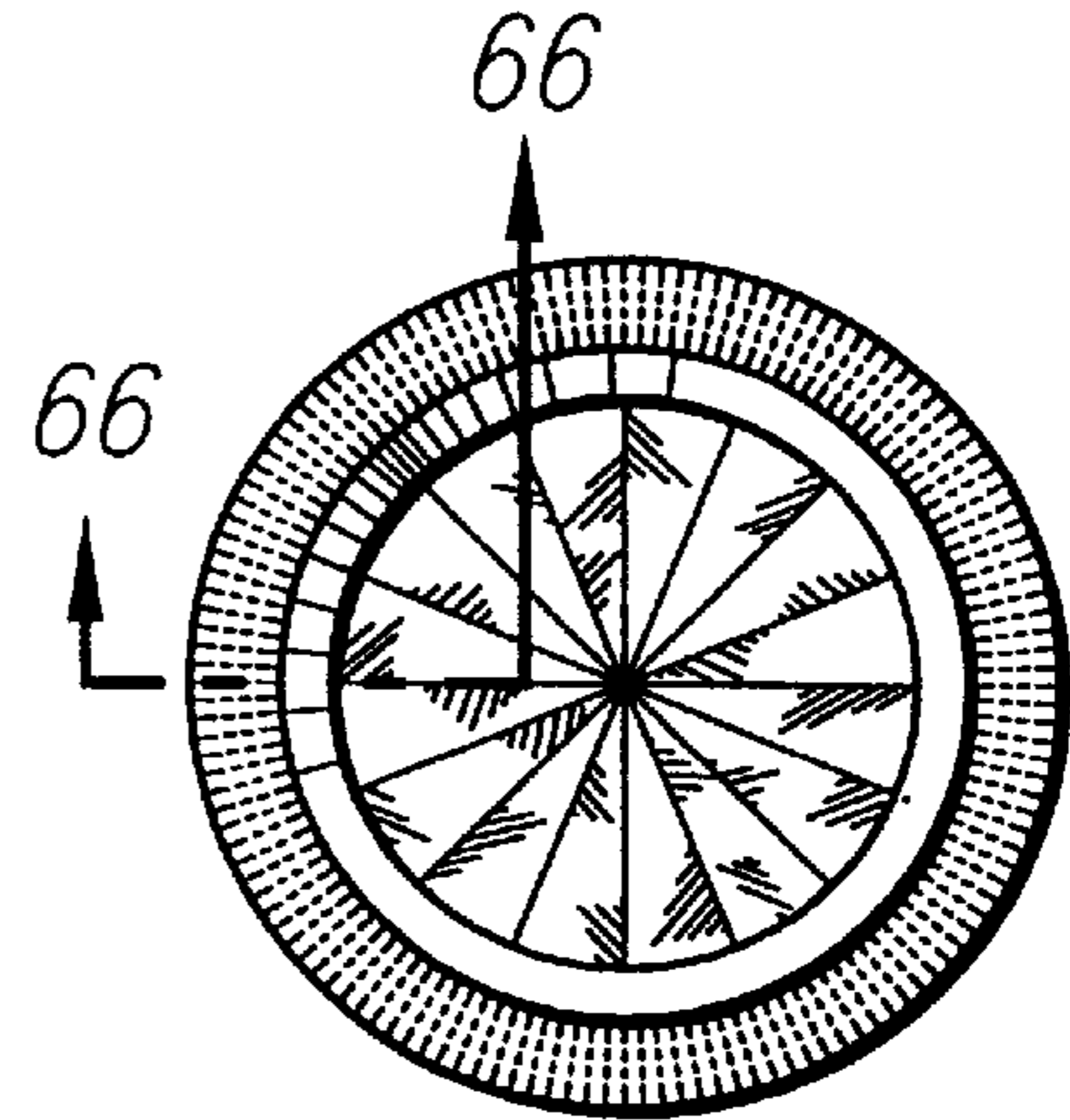


FIG. 70

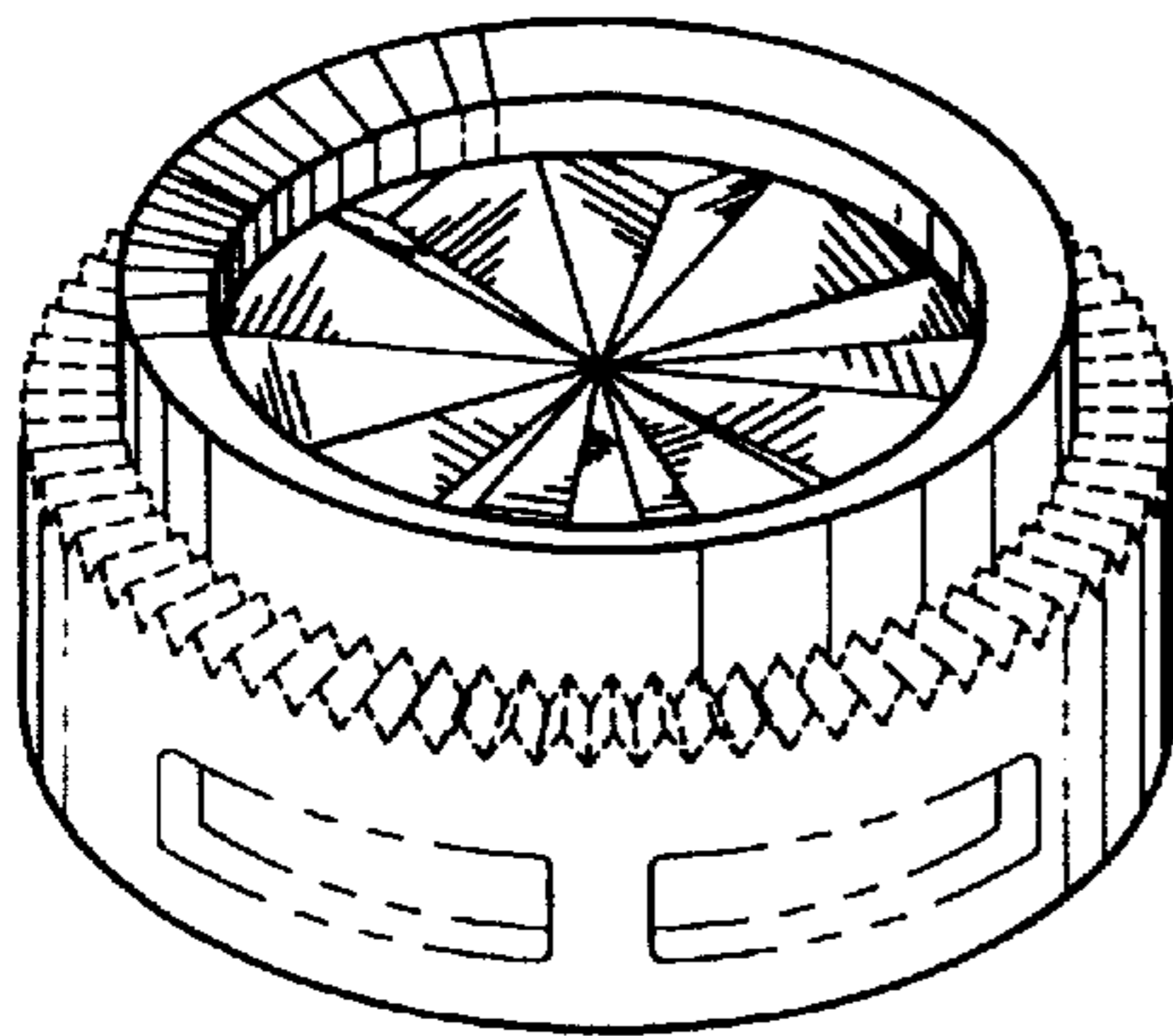


FIG. 71

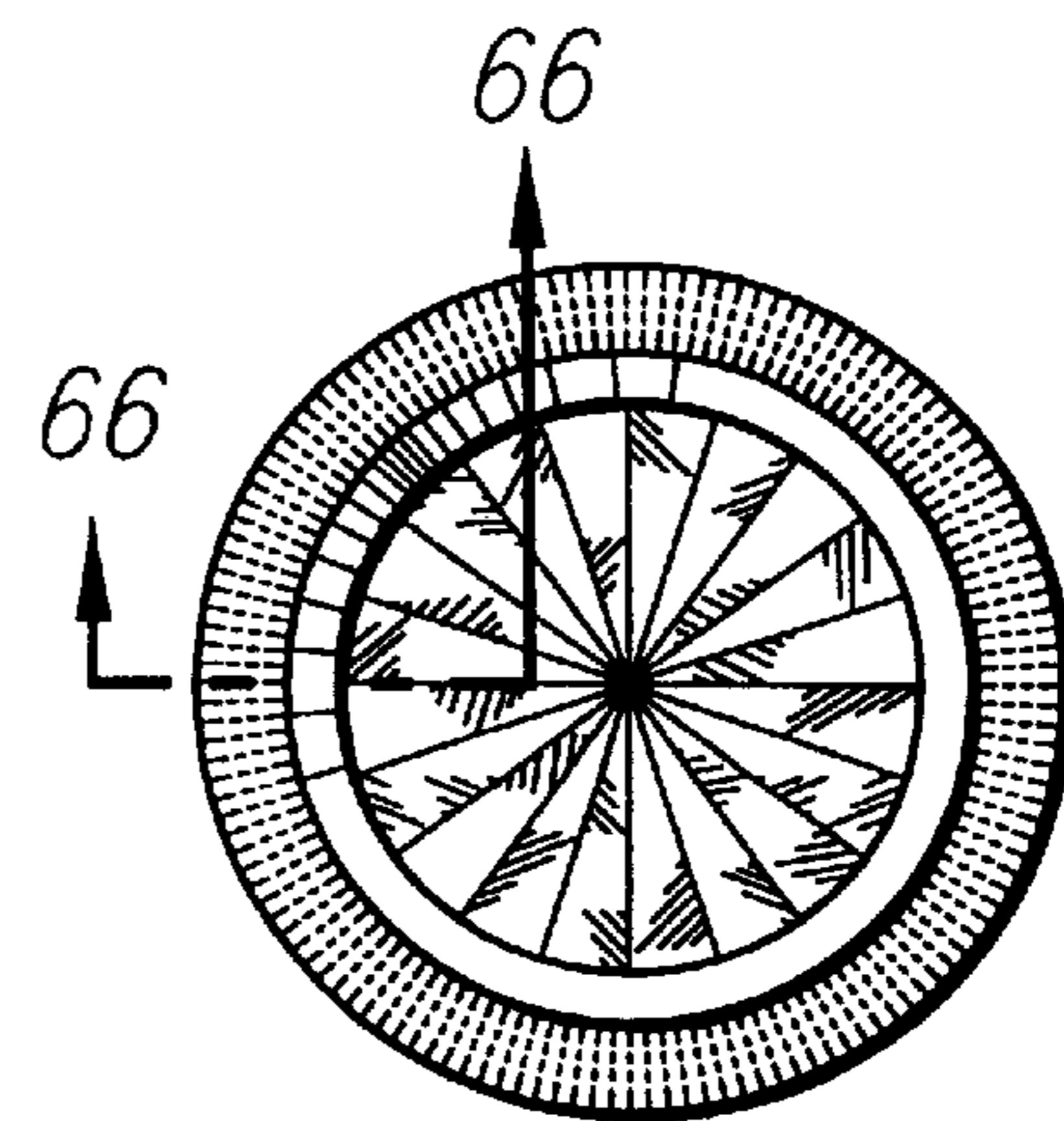


FIG. 72