



US00D448315B1

(12) **United States Design Patent**
Ito

(10) **Patent No.:** **US D448,315 S**

(45) **Date of Patent:** **** Sep. 25, 2001**

(54) **PORTABLE OPTICAL DISTANCE MEASURING DEVICE**

(75) Inventor: **Hideki Ito**, Yokohama (JP)

(73) Assignee: **Nikon Corporation**, Tokyo (JP)

(**) Term: **14 Years**

(21) Appl. No.: **29/133,456**

(22) Filed: **Dec. 1, 2000**

(30) **Foreign Application Priority Data**

Sep. 14, 2000 (JP) 12-025841

(51) **LOC (7) Cl.** **10-04**

(52) **U.S. Cl.** **D10/70**

(58) **Field of Search** D10/70; 33/261, 33/285, 286, 700-715; 356/138, 139.03, 141.3, 345, 375, 142, 5.12, 5.07, 4.05, 5.15, 28.5, 5.09; 385/134-139, 83, 97-99; 264/1.24, 1.25; 702/150, 158, 208

(56) **References Cited**

U.S. PATENT DOCUMENTS

- D. 371,084 * 6/1996 Ogawa D10/70
- D. 390,483 * 2/1998 Zykan et al. D10/70
- D. 421,229 * 2/2000 Imal D10/70
- 4,942,765 * 7/1990 Hinlker et al. D10/70 X

OTHER PUBLICATIONS

- Ranging System, 2 pages, 1&2/7.
- Leica Laser Rangefinder, 1 page, 3/7.
- Pentax Rangeseeker, 1 page, 4/7.
- Bushnell Lyfespeed 500 & 600, 2 pages, 5&6/7.
- Niko Laser 800, 1 page, 7/7.

* cited by examiner

Primary Examiner—Antoine Duval Davis

(74) *Attorney, Agent, or Firm*—Oliff & Berridge, PLC

(57) **CLAIM**

The ornamental design for portable optical distance measuring device, as shown.

DESCRIPTION

FIG. 1 is a front perspective view of portable optical distance measuring devices showing my new design; FIG. 2 is a rear perspective view thereof; FIG. 3 is a front elevation view thereof; FIG. 4 is a rear elevation view thereof; FIG. 5 is a top plan view thereof; FIG. 6 is a bottom plan view thereof; FIG. 7 is a left side elevation view thereof; and, FIG. 8 is a right side elevation view thereof.

1 Claim, 5 Drawing Sheets

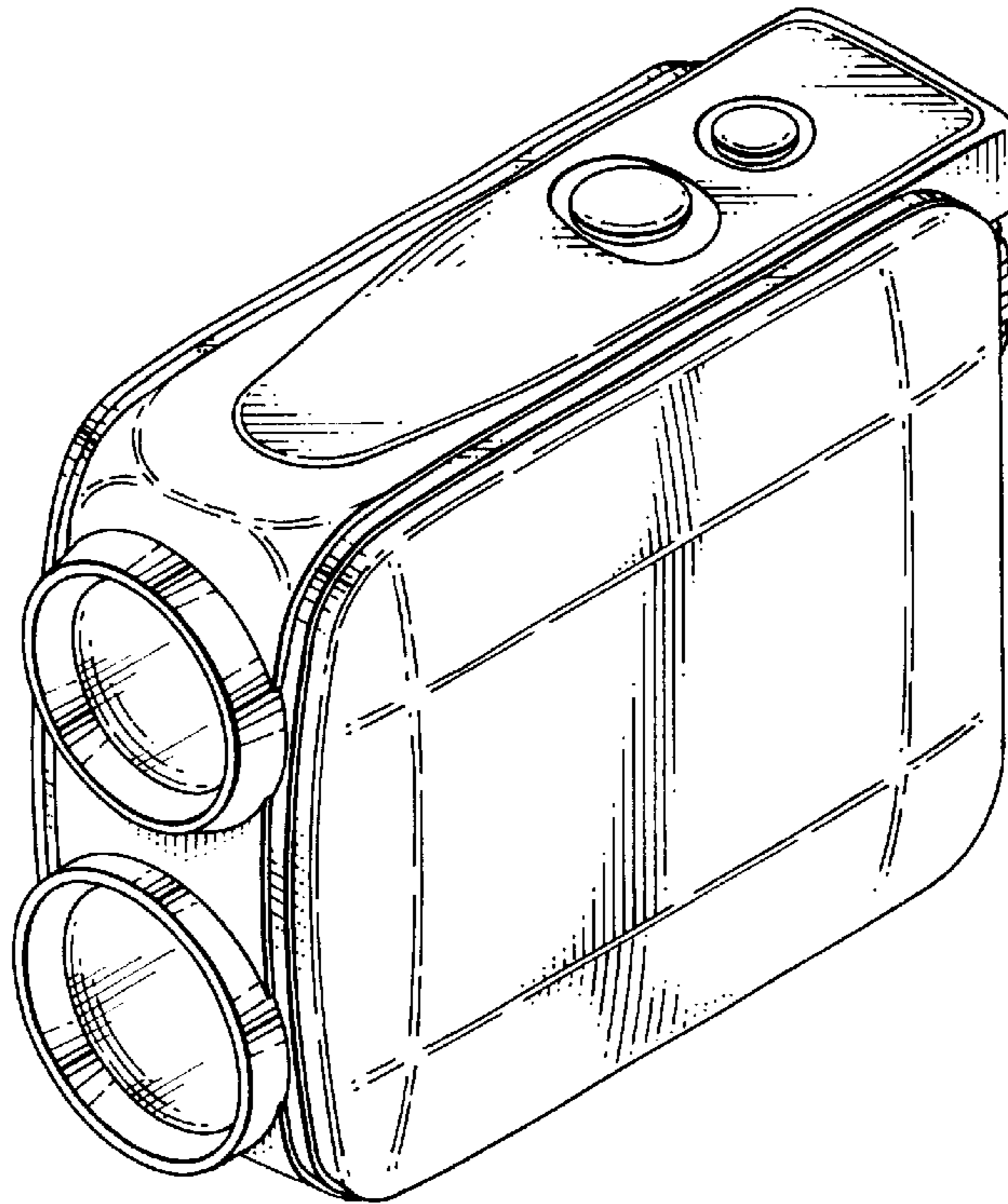


FIG. 1

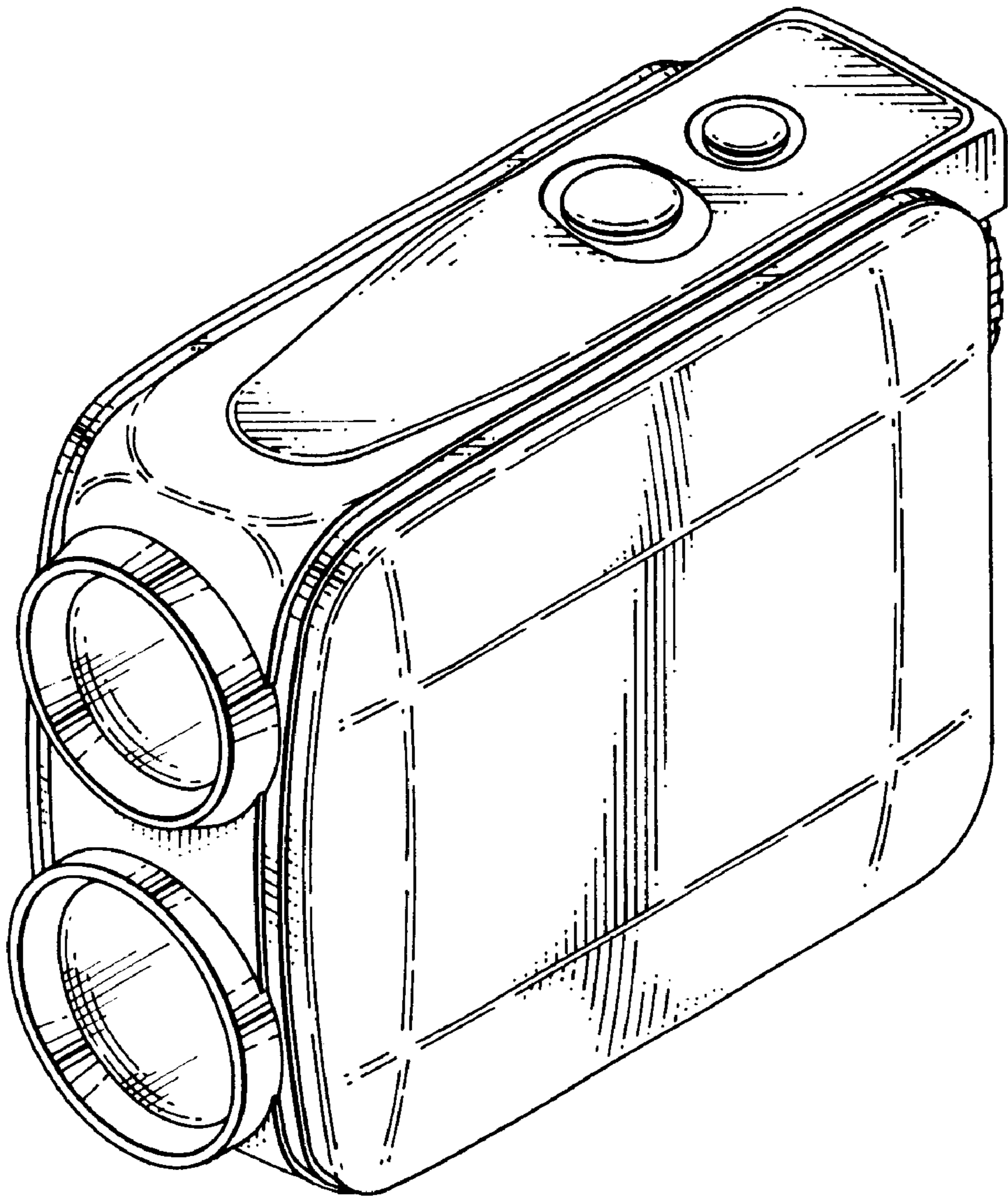


FIG. 2

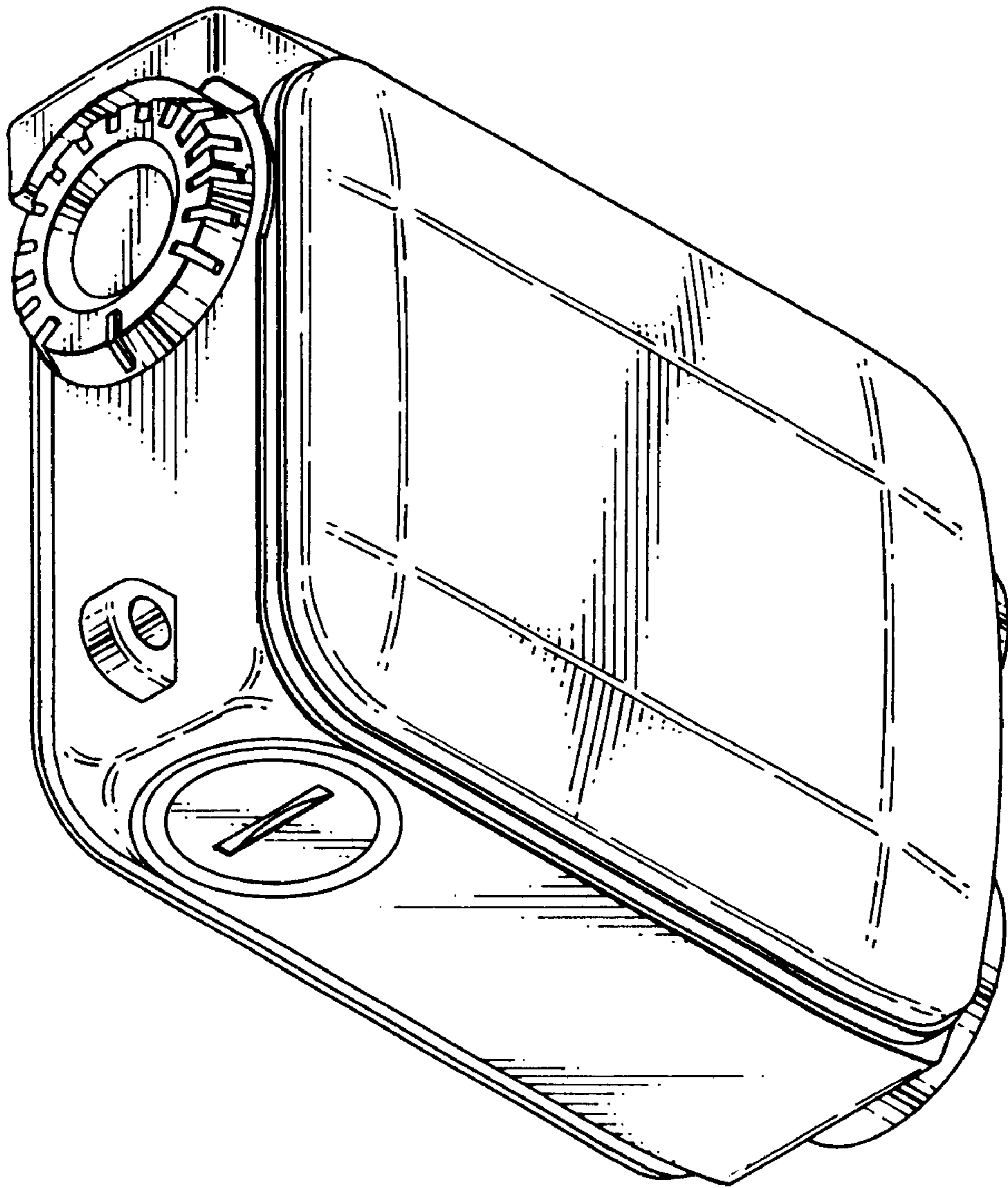


FIG. 3

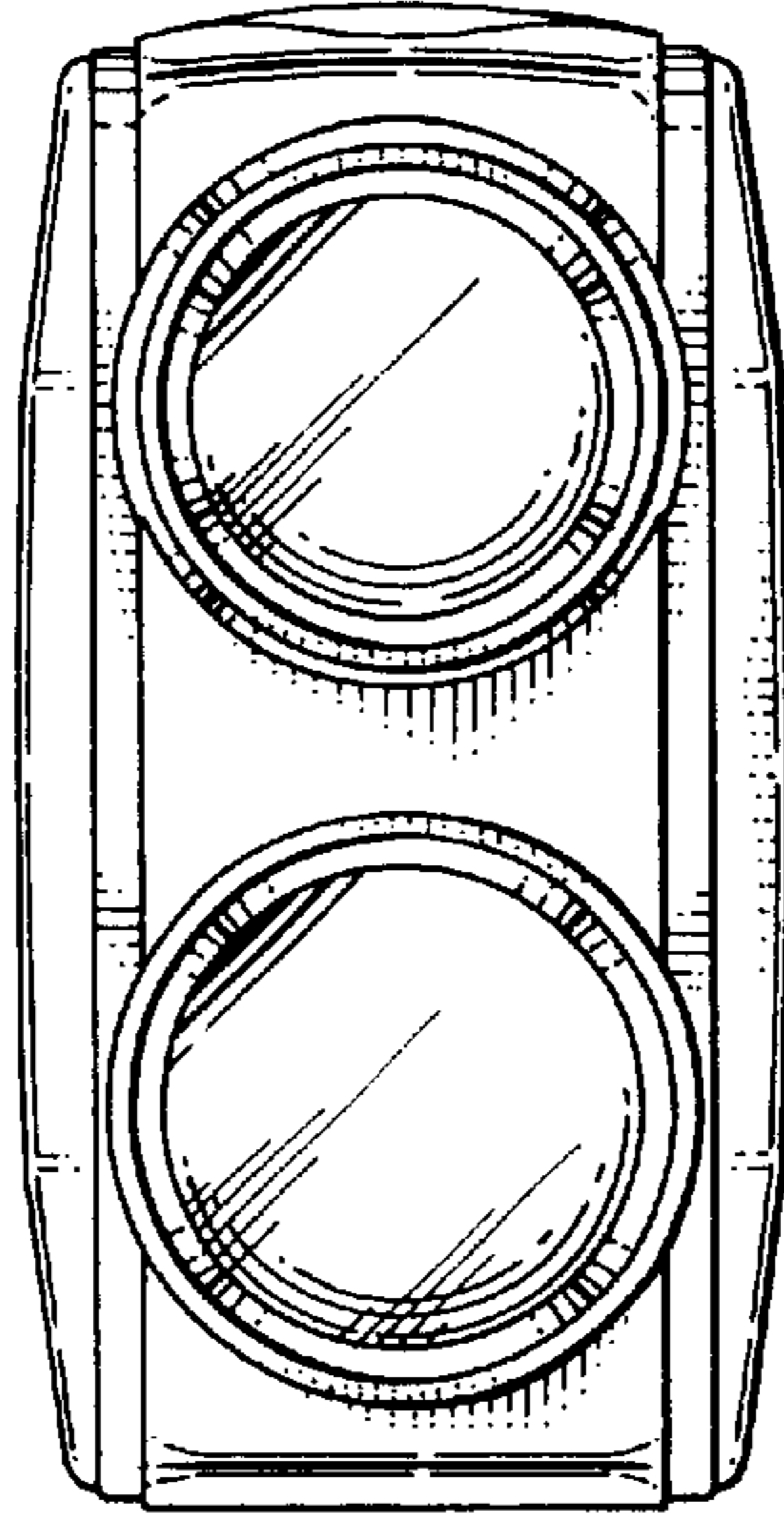


FIG. 4

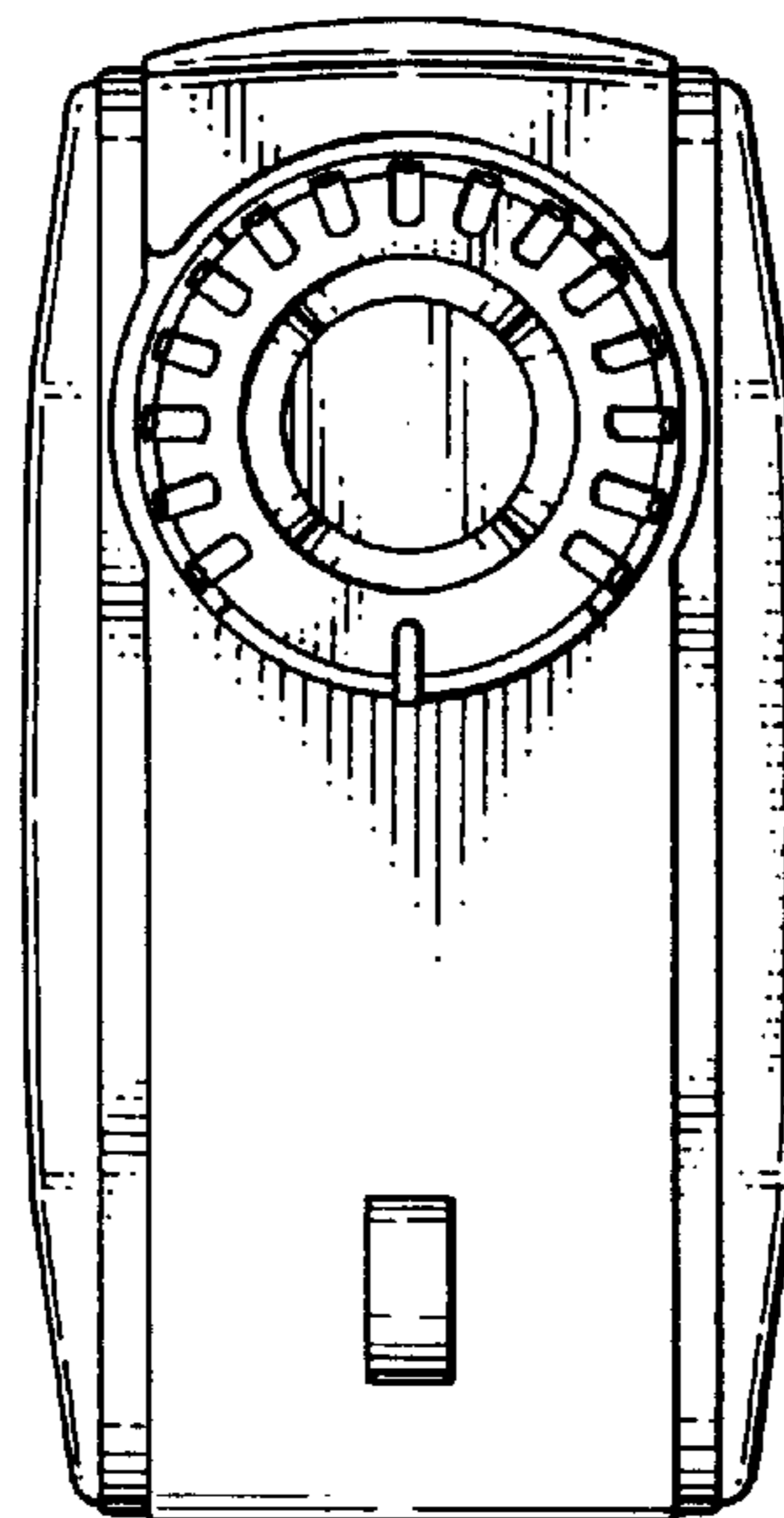


FIG. 5

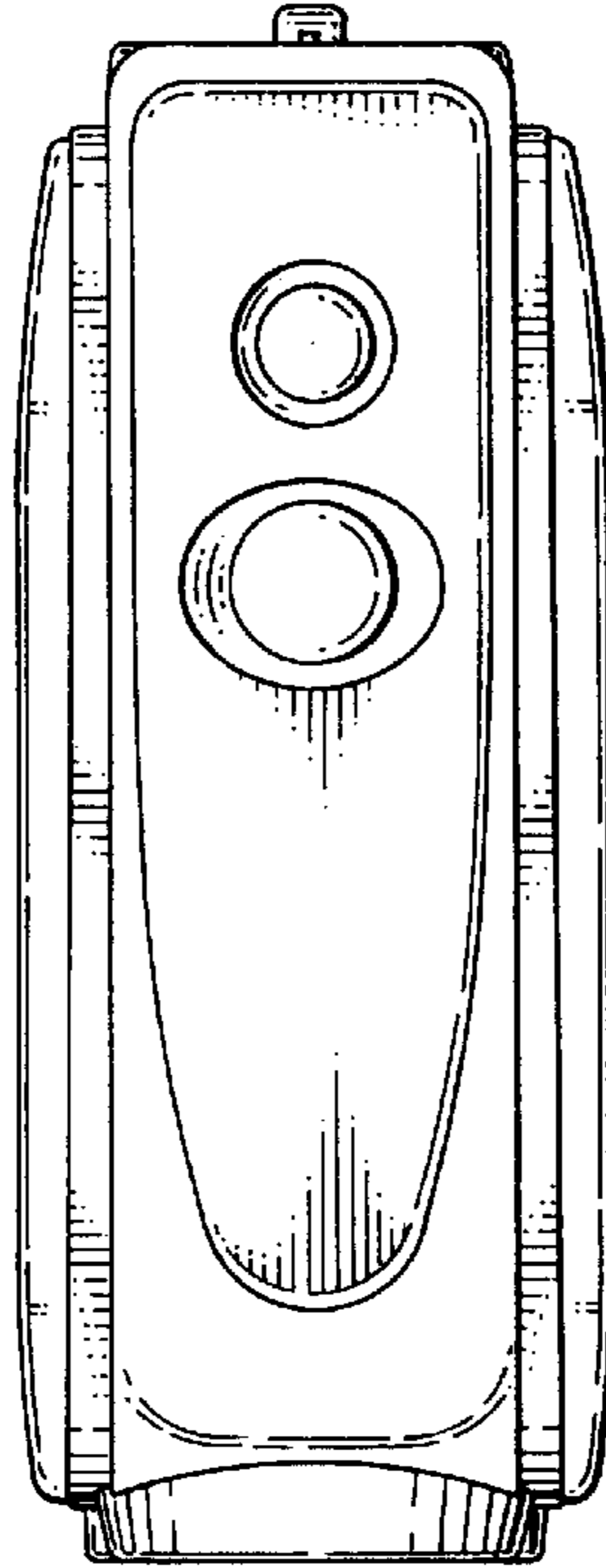


FIG. 6

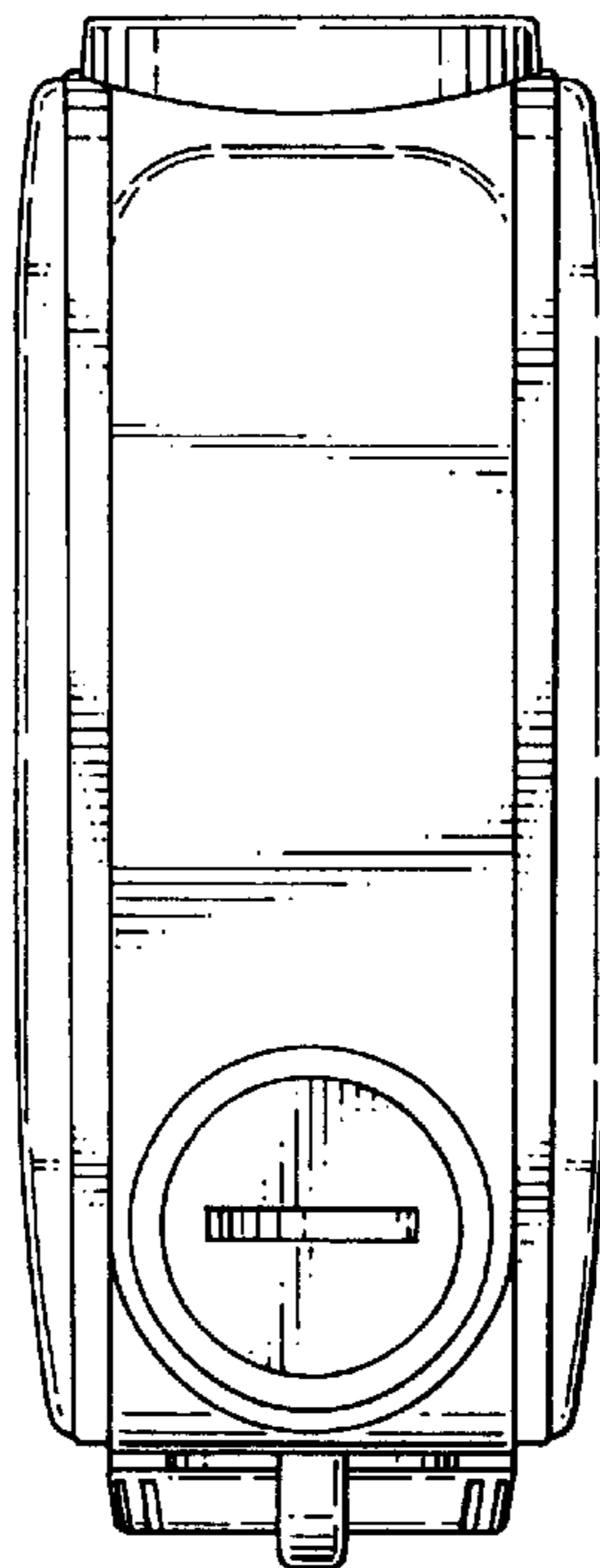


FIG. 7

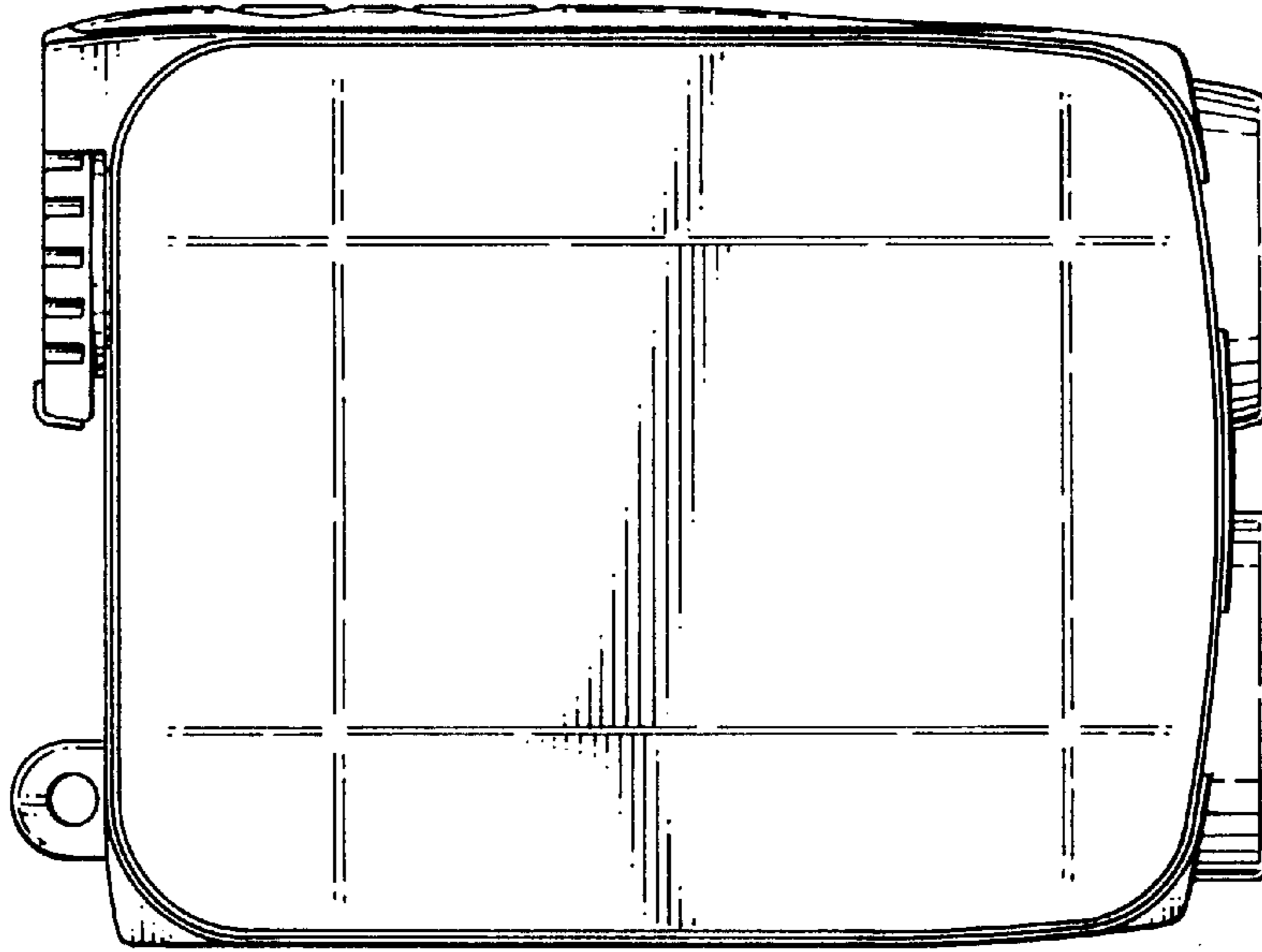


FIG. 8

