



US00D448309B1

(12) **United States Design Patent**  
**Jones**

(10) **Patent No.:** **US D448,309 S**

(45) **Date of Patent:** **\*\* Sep. 25, 2001**

(54) **PROMOTIONAL INTRAVENOUS FLUID BAG REPLICA CLOCK**

(75) Inventor: **Brenda S. Jones**, Raleigh, NC (US)

(73) Assignee: **Adstracts, Inc.**, Raleigh, NC (US)

(\*\*) Term: **14 Years**

(21) Appl. No.: **29/121,159**

(22) Filed: **Mar. 31, 2000**

(51) **LOC (7) Cl.** ..... **10-01**

(52) **U.S. Cl.** ..... **D10/6**

(58) **Field of Search** ..... D10/6, 7, 8, 9,  
D10/11, 12, 24, 25, 26, 27, 122, 123, 124,  
125, 126, 127, 128, 129, 130, 132, 15;  
368/276, 277, 62, 285; D24/108, 118, 207,  
208; D21/811, 812; 248/102, 104, 318;  
604/32, 187

(56) **References Cited**

**U.S. PATENT DOCUMENTS**

D. 146,413	*	2/1947	Lencer	.....	D10/127
D. 358,467	*	5/1995	Davis, Sr.	.....	D24/118
947,937	*	2/1910	Porter	.....	368/285
3,112,047	*	11/1963	Weinreich et al.	.....	383/67
3,893,495	*	7/1975	Standifer	.....	248/104
4,790,815	*	12/1988	Balteau et al.	.....	604/408
4,917,684	*	4/1990	Yasumura	.....	604/408

5,807,312 \* 9/1998 Dzwonkiewicz ..... 604/32

\* cited by examiner

*Primary Examiner*—Doris V. Coles

*Assistant Examiner*—Elizabeth A. Albert

(74) *Attorney, Agent, or Firm*—Myers Bigel Sibley & Sajovec

(57) **CLAIM**

The ornamental design for a promotional intravenous fluid bag replica clock, as shown and described.

**DESCRIPTION**

FIG. 1 is a perspective view of a promotional intravenous fluid bag replica clock showing my new design;

FIG. 2 is a front elevational view of the embodiment of FIG. 1;

FIG. 3 is a top plan view of the embodiment of FIG. 1;

FIG. 4 is a side elevational view of the embodiment of FIG. 1;

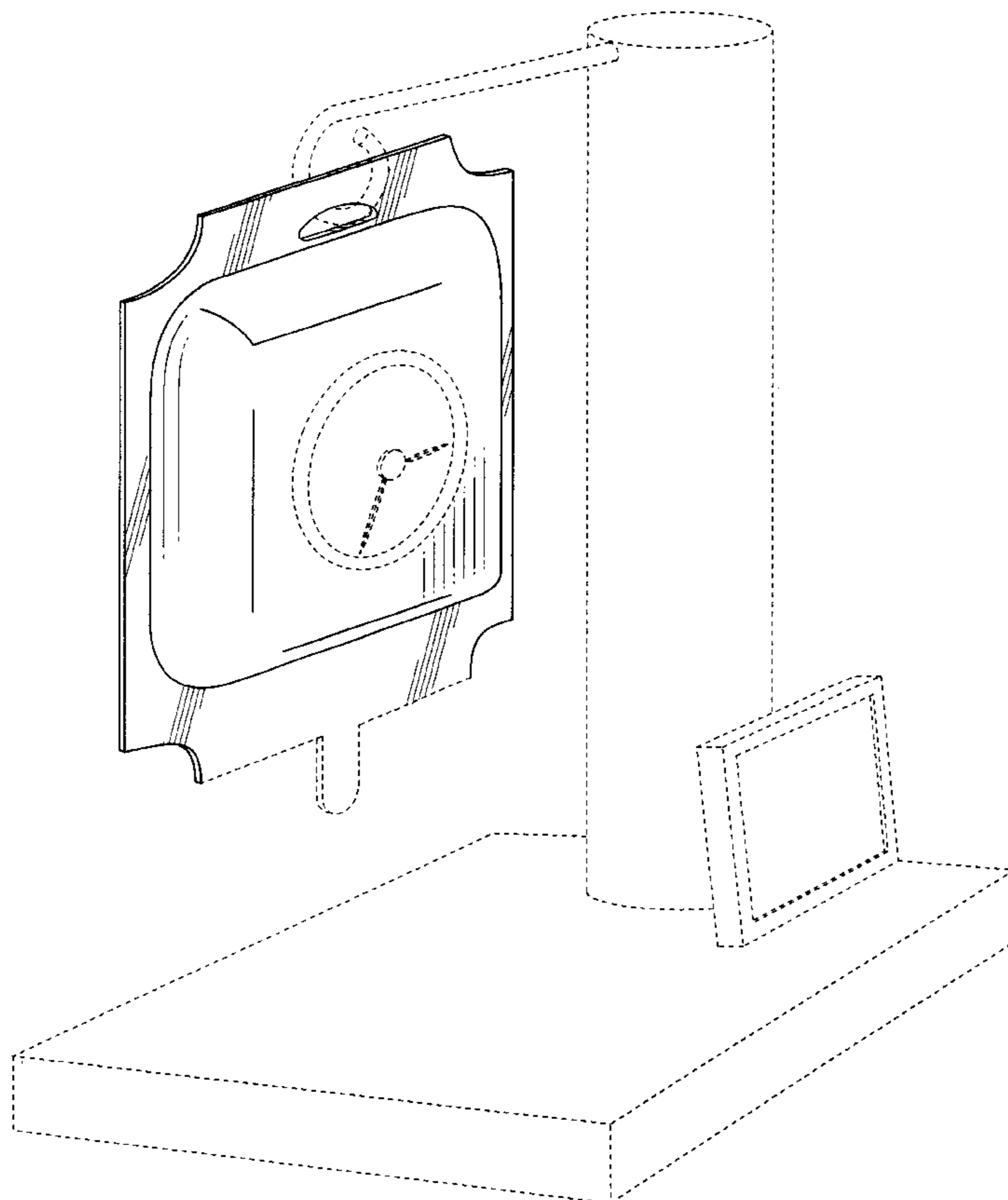
FIG. 5 is a side elevational view thereof, opposite that shown in FIG. 4, of the embodiment of FIG. 1;

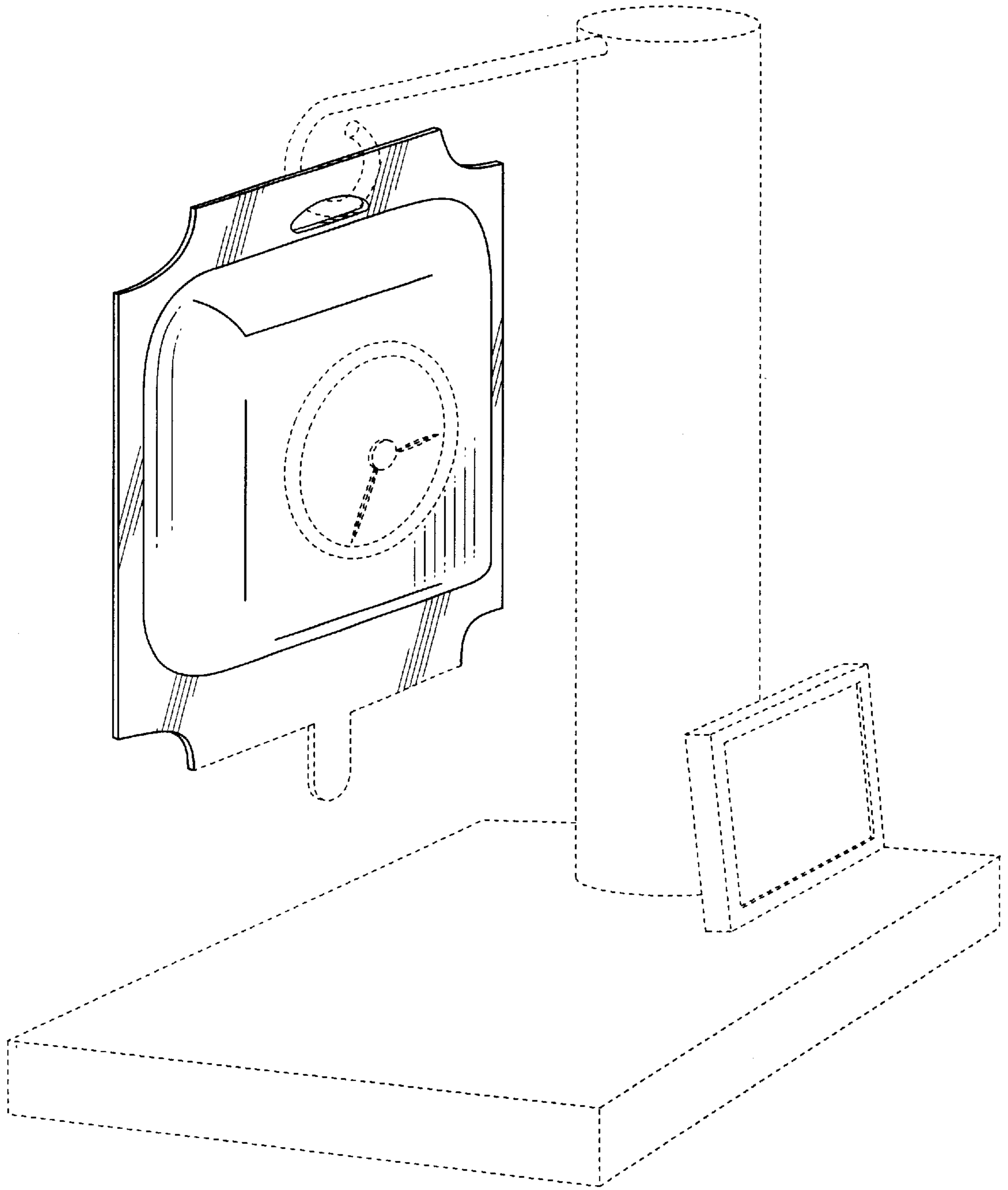
FIG. 6 is a bottom plan view of the embodiment of FIG. 1; and,

FIG. 7 is a rear elevational view, of the embodiment of FIG. 1.

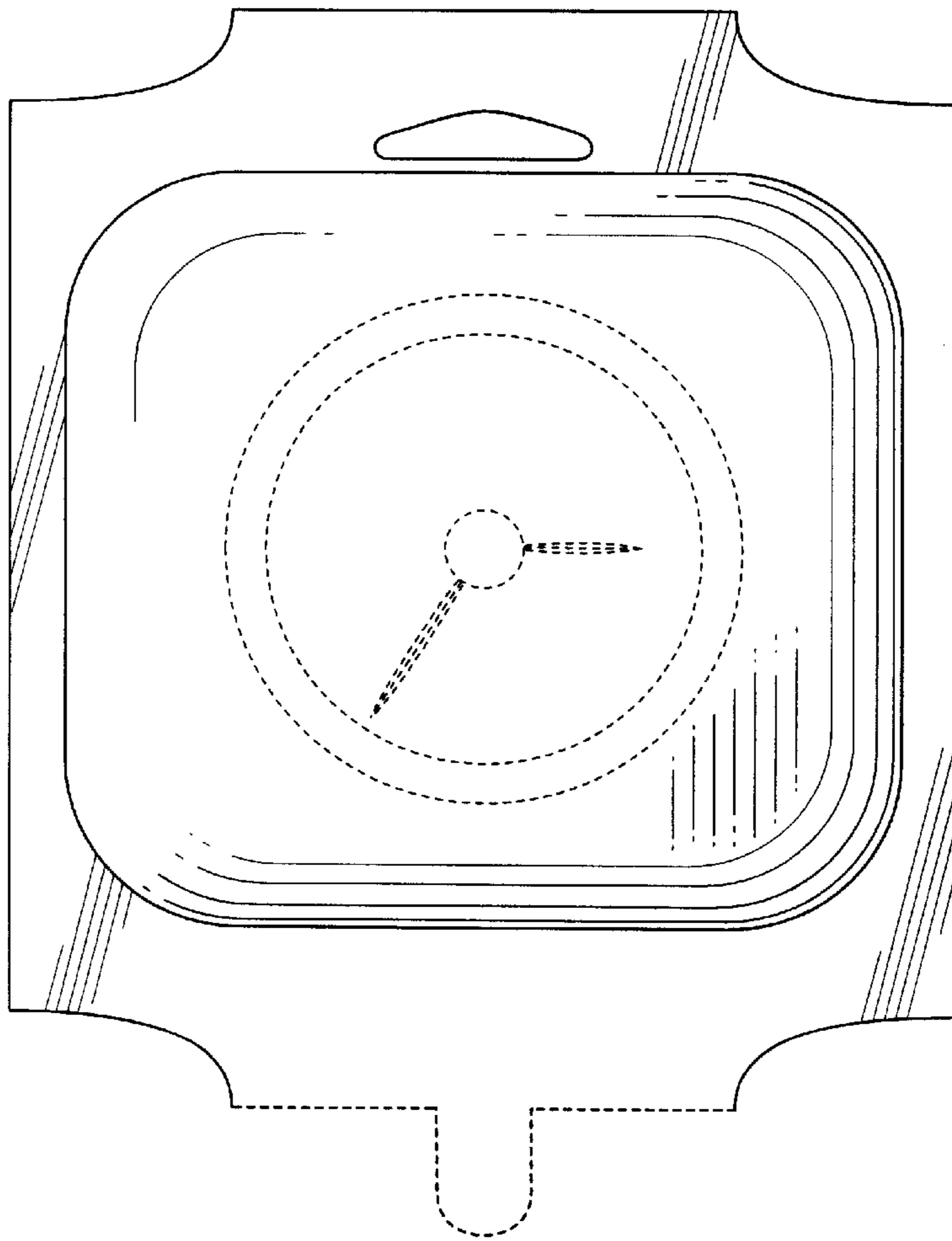
The broken lines shown herein are for illustrative purposes only and form no part of the claimed design.

**1 Claim, 3 Drawing Sheets**

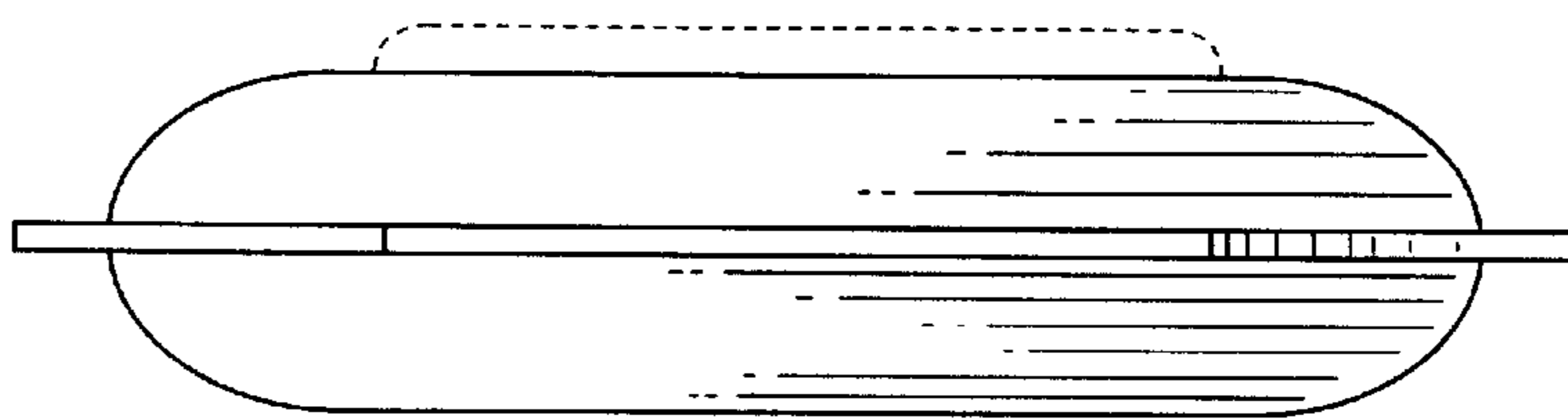




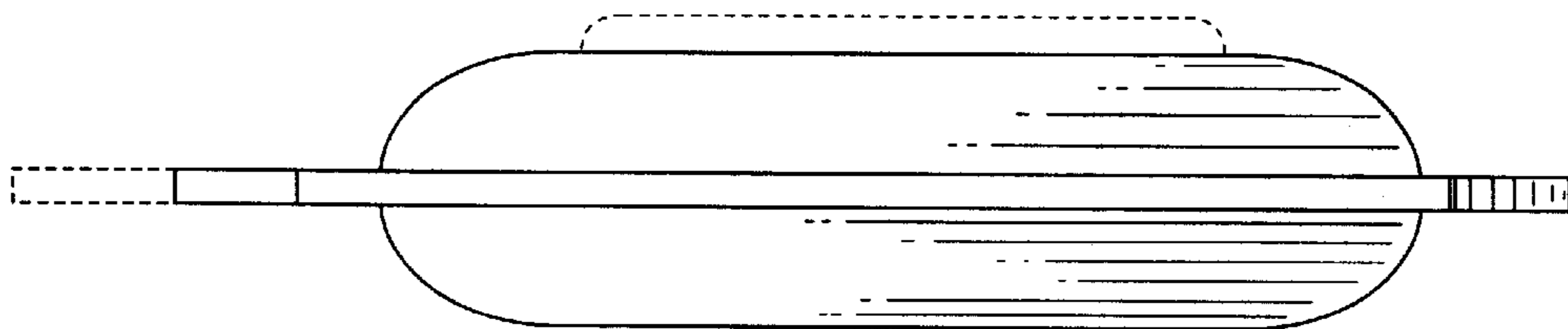
**FIG. 1.**



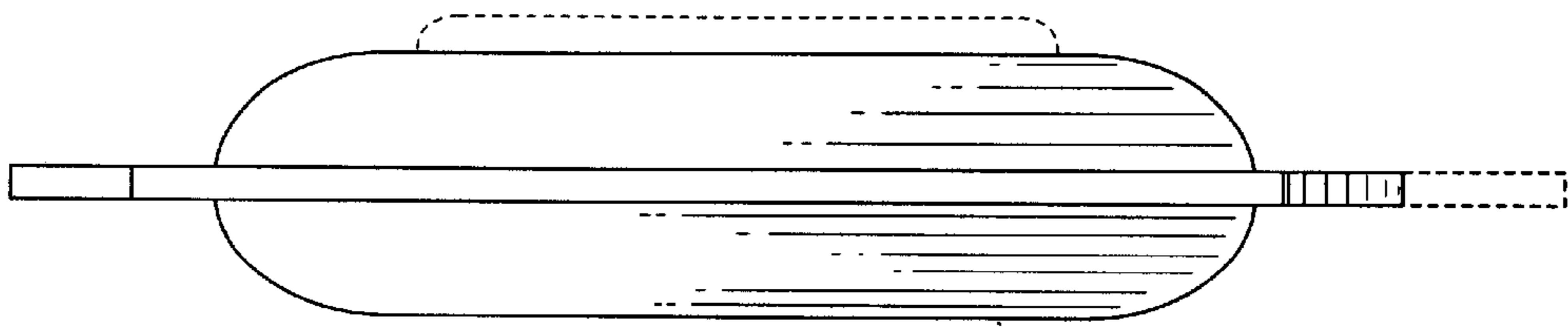
**FIG. 2.**



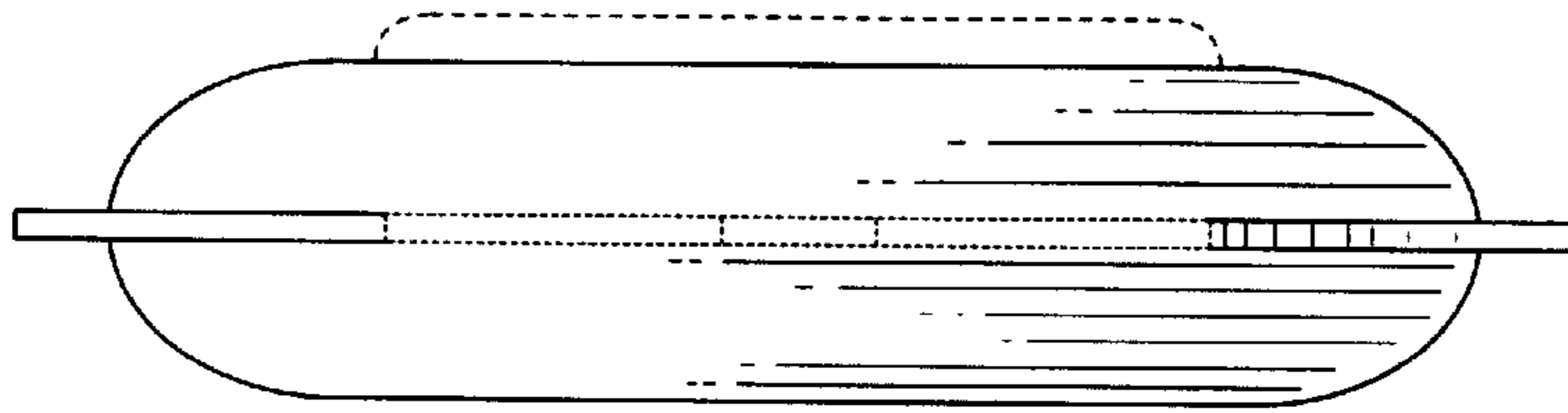
**FIG. 3.**



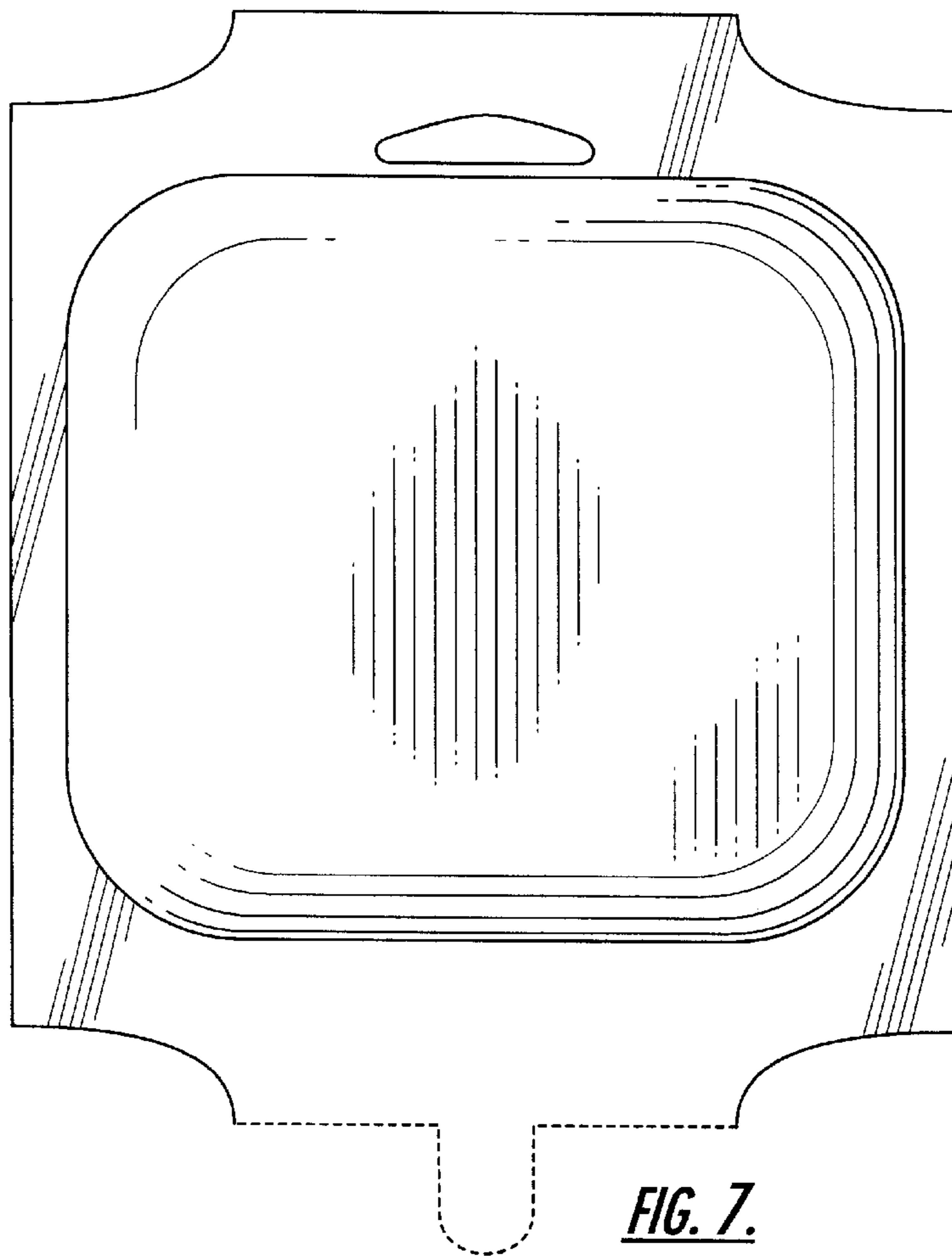
**FIG. 4.**



***FIG. 5.***



***FIG. 6.***



***FIG. 7.***