



US00D448308B1

(12) **United States Design Patent**  
**Weinstein**

(10) **Patent No.:** **US D448,308 S**

(45) **Date of Patent:** **\*\* Sep. 25, 2001**

(54) **ALARM CLOCK AND PHOTO FRAME**

(76) **Inventor:** **Marc Chase Weinstein, 30 E. 95<sup>th</sup> St.,  
New York, NY (US) 10128**

(\*\*) **Term:** **14 Years**

(21) **Appl. No.:** **29/132,305**

(22) **Filed:** **Nov. 7, 2000**

(51) **LOC (7) Cl.** ..... **10-01**

(52) **U.S. Cl.** ..... **D10/2; D10/18; D6/300**

(58) **Field of Search** ..... **D10/1, 2, 3-15,  
D10/16-18, 19-40, 122-132; 368/10, 276,  
277, 285, 316, 317**

(56) **References Cited**

**U.S. PATENT DOCUMENTS**

D. 264,823	*	6/1982	Satoh	.....	D10/15
D. 304,304	*	10/1989	Charet et al.	.....	D10/15
D. 328,035	*	7/1992	Benton	.....	D10/18
D. 333,271	*	2/1993	Erlichman	.....	D10/2
D. 337,529	*	7/1993	Shimamura	.....	D10/18
D. 363,881	*	11/1995	Yung	.....	D10/18

D. 443,524	*	6/2001	Duke	.....	D10/15
1,645,633	*	10/1927	Wakefield	.....	368/277

\* cited by examiner

*Primary Examiner*—Martie K. Holtje

(74) *Attorney, Agent, or Firm*—Myron Amer P.C.

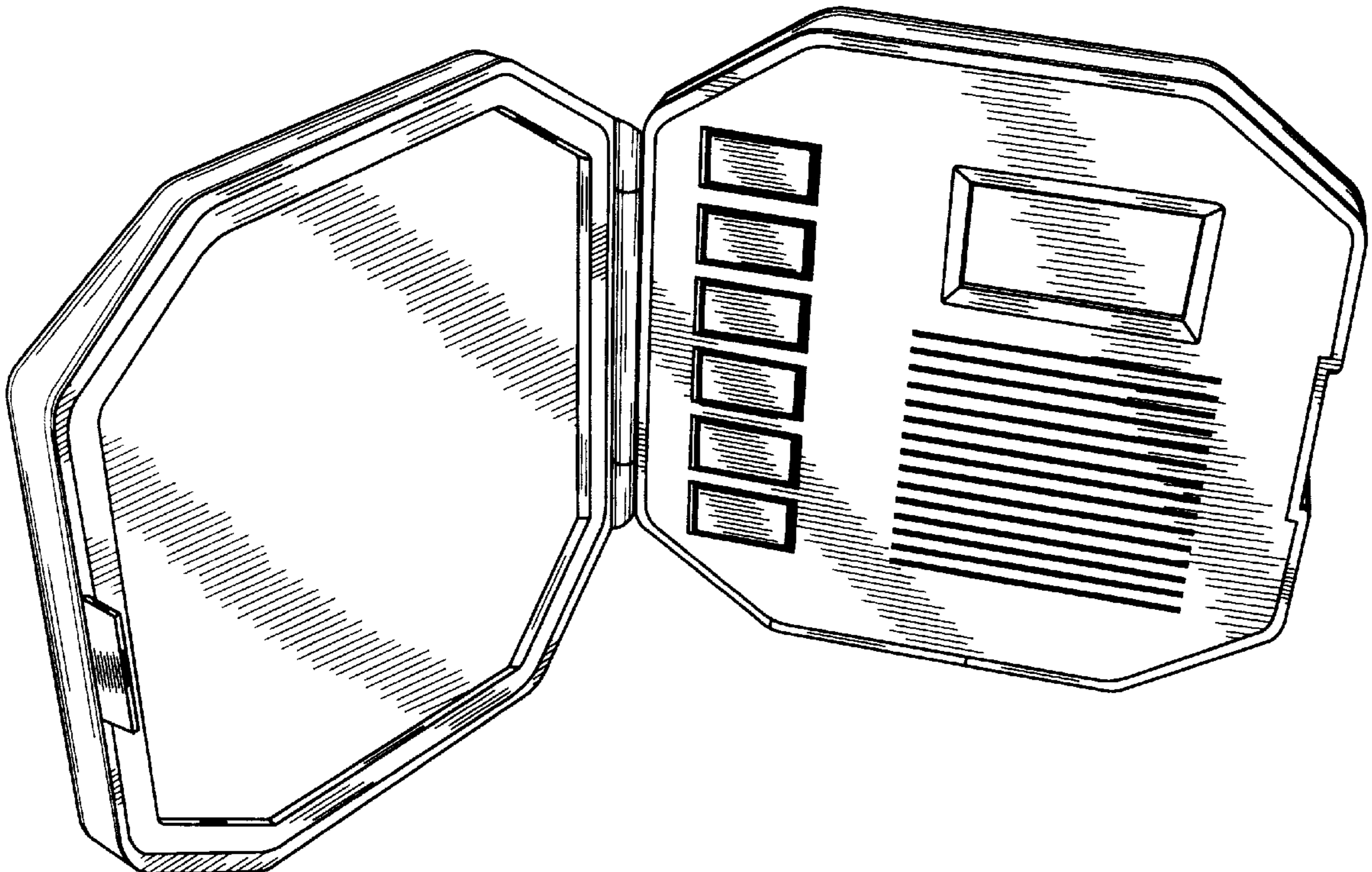
(57) **CLAIM**

The ornamental design for alarm clock and photo frame, as shown and described.

**DESCRIPTION**

FIG. 1 is a perspective view of alarm clock and photo frame showing my new design;  
 FIG. 2 is a top view thereof;  
 FIG. 3 is a bottom view thereof;  
 FIG. 4 is a front view thereof;  
 FIG. 5 is a rear thereof;  
 FIG. 6 is a left side elevational view thereof;  
 FIG. 7 is a right side elevational view thereof; and,  
 FIG. 8 is a front perspective view thereof in an open condition.

**1 Claim, 4 Drawing Sheets**



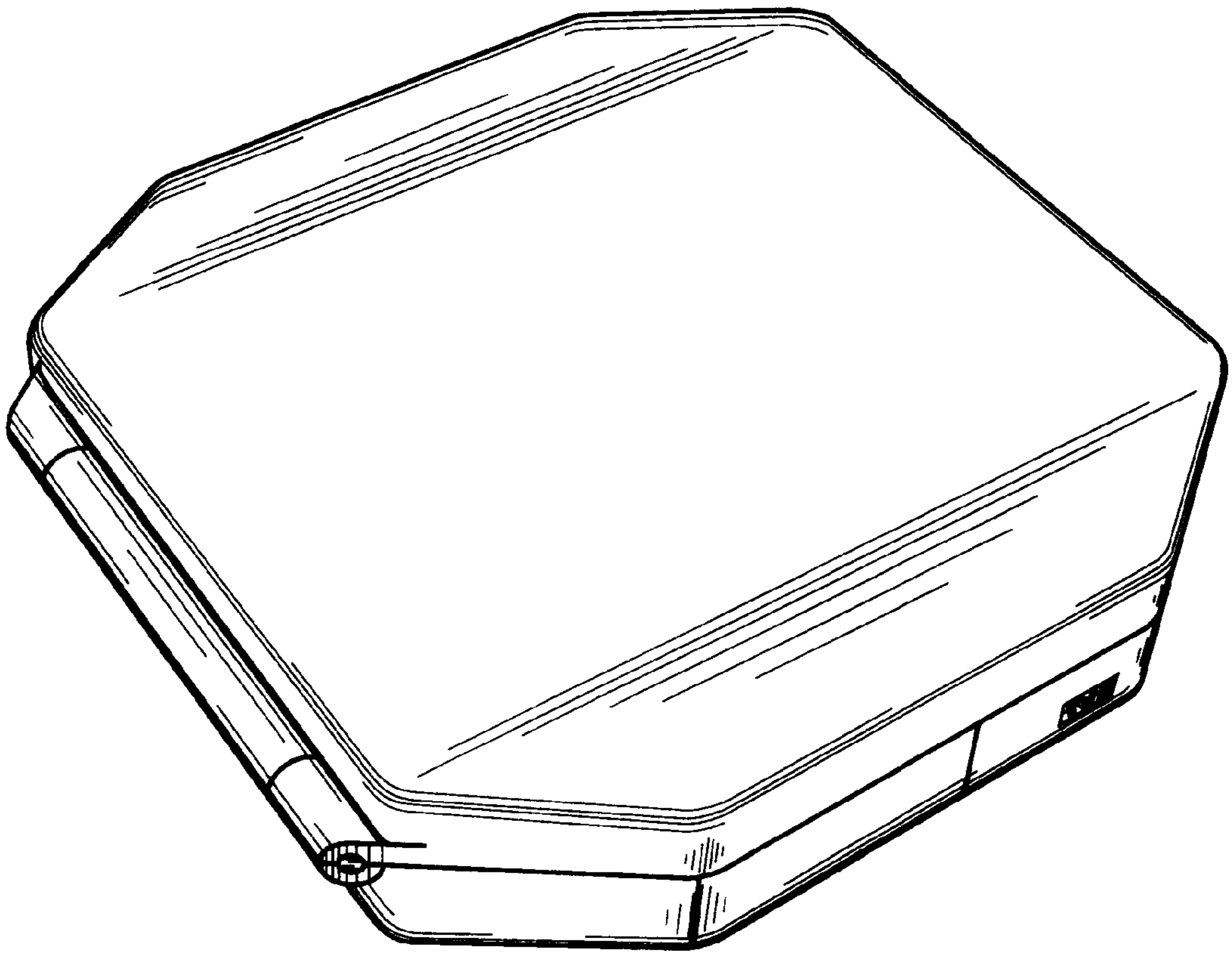


FIG. 1

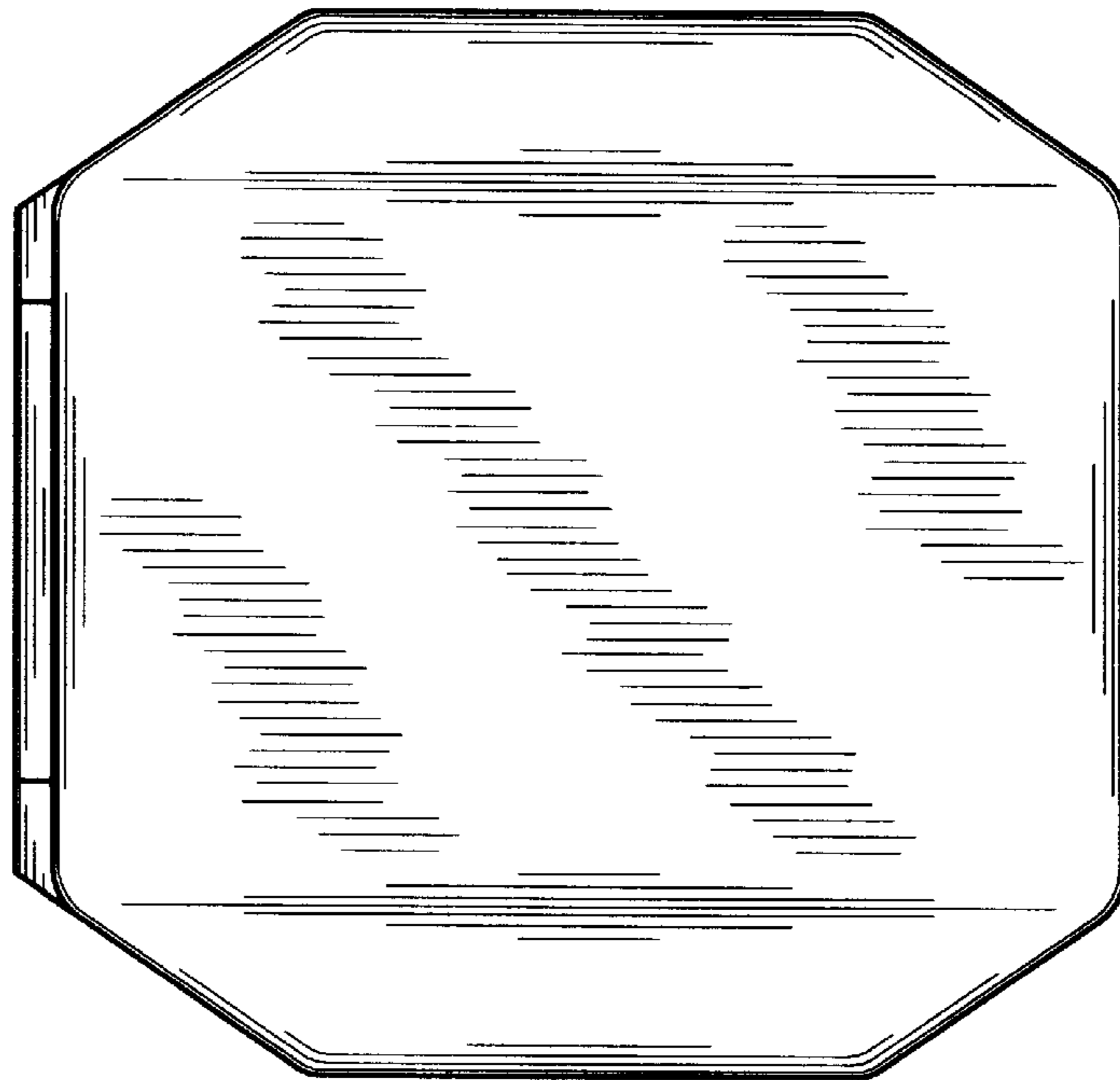


FIG. 2

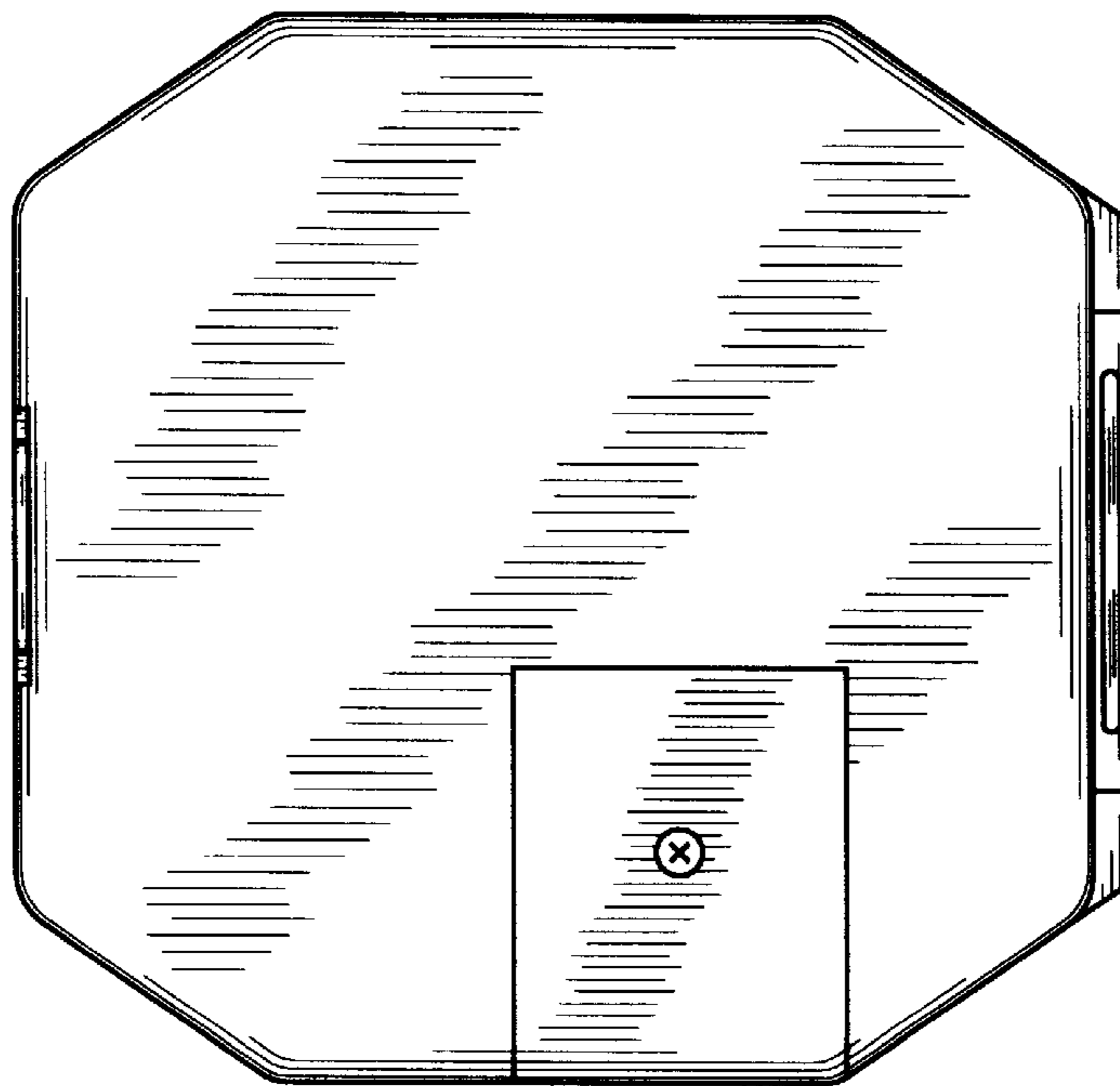


FIG. 3

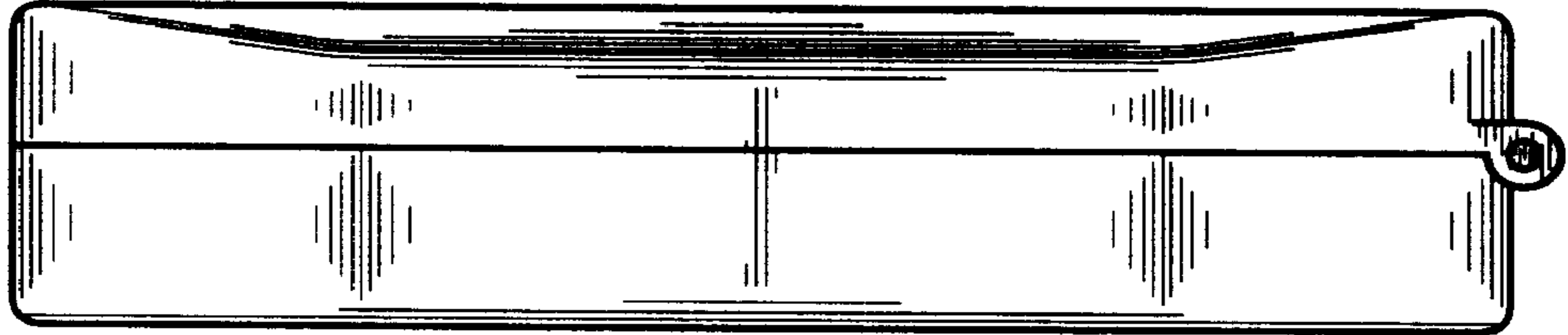


FIG. 4

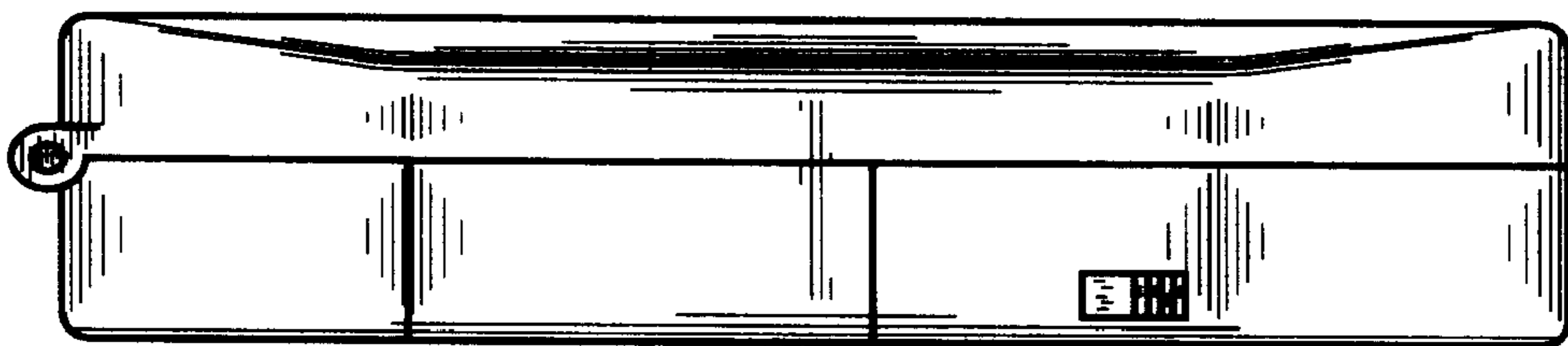


FIG. 5

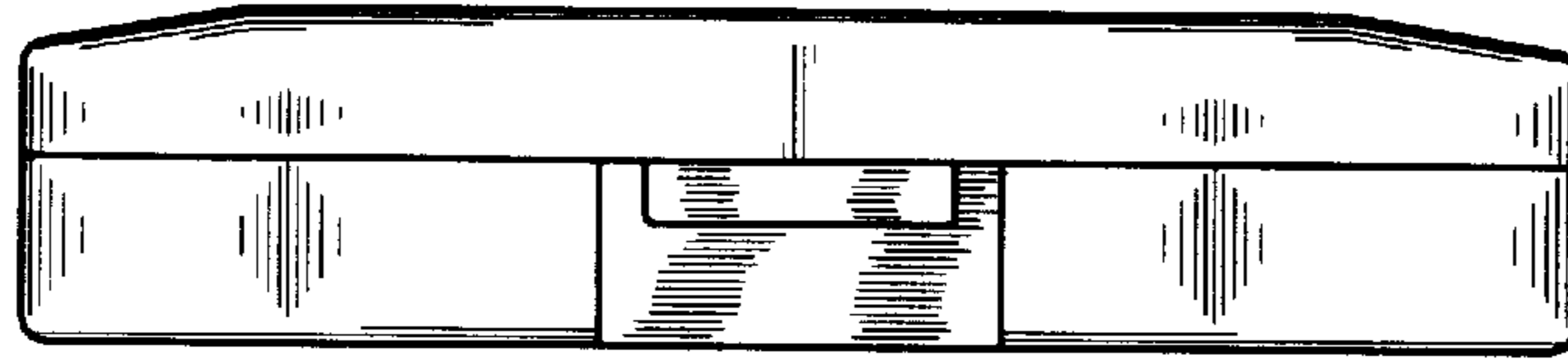


FIG. 6

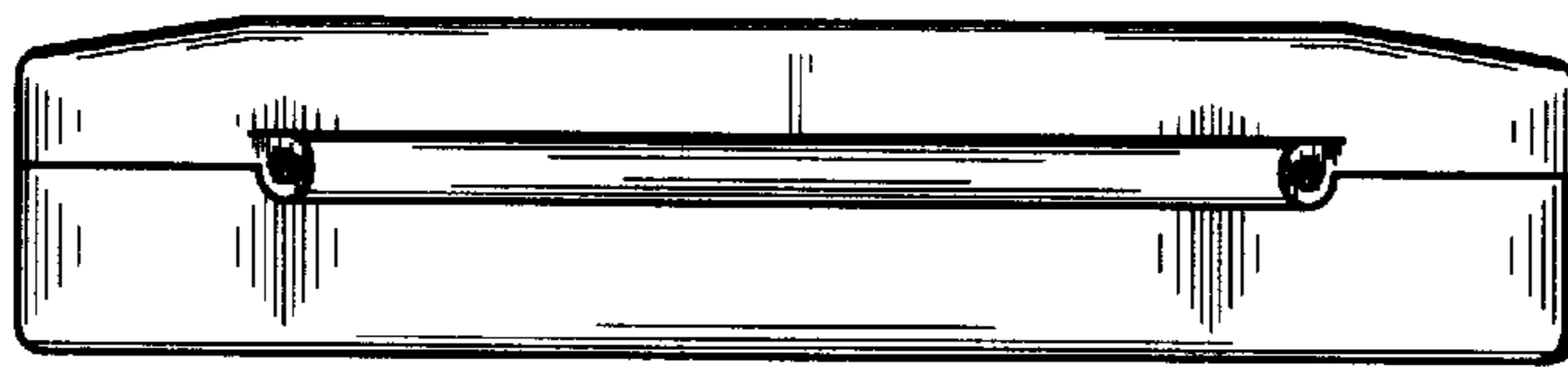


FIG. 7

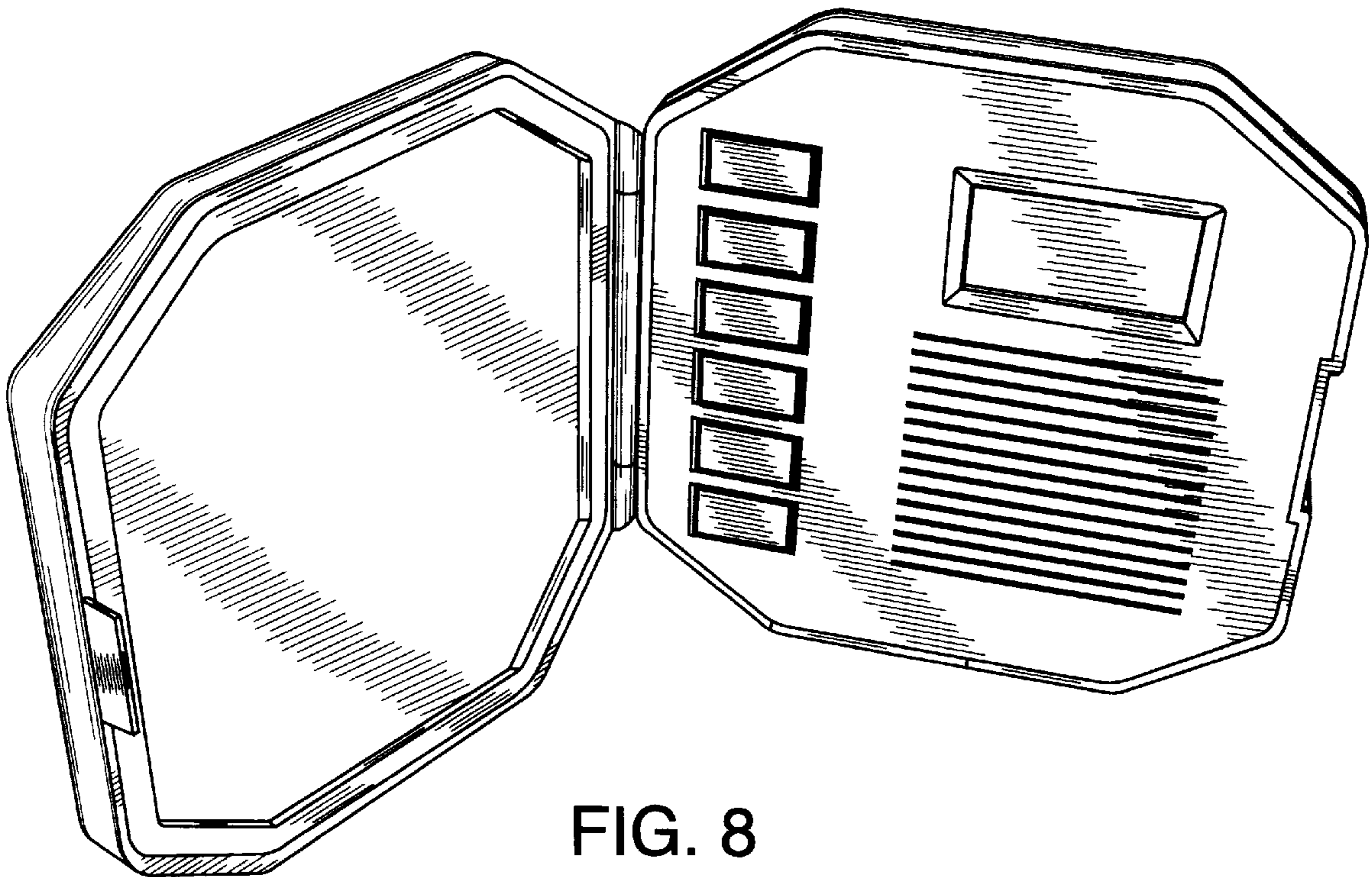


FIG. 8