



US00D448303B1

(12) **United States Design Patent**  
**Cheng et al.**

(10) **Patent No.: US D448,303 S**

(45) **Date of Patent: \*\* Sep. 25, 2001**

(54) **CONTAINER**

(75) Inventors: **Jizu John Cheng**, Burr Ridge; **Philip G. Kraft**, Chicago Heights; **Richard G. Kraft**, Joliet; **Jeffrey D. Krich**, Roselle; **Sherry Yuan**, Oak Lawn; **Robert J. Crawford**, Lisle, all of IL (US)

(73) Assignee: **Crown Cork & Seal Technologies Corporation**, Alsip, IL (US)

(\*\*) Term: **14 Years**

(21) Appl. No.: **29/118,632**

(22) Filed: **Feb. 11, 2000**

(51) **LOC (7) Cl. .... 09-01**

(52) **U.S. Cl. .... D9/539; D9/570**

(58) **Field of Search** ..... D9/300, 434, 520, D9/530, 537-539, 541-542, 545-549, 551-552, 554-559, 564-565, 567-570, 574; 215/381-384; 220/671-672; 222/210, 212-213, 215

(56) **References Cited**

**U.S. PATENT DOCUMENTS**

D. 38,430	1/1907	Pressing .	
D. 66,789	3/1925	Curran .....	D9/553
D. 67,946	8/1925	Council .....	D9/553
D. 85,109	9/1931	Mas .....	D9/553
D. 91,653	3/1934	Guyer .	
D. 94,384	1/1935	Fuerst .....	D9/543
D. 144,247	3/1946	Graham .....	D9/543
D. 159,169	6/1950	Smith .	
D. 198,407	6/1964	Busch .	
D. 217,439	5/1970	Platte .	
D. 277,551	2/1985	Kerr .	
D. 278,978	5/1985	Franchi et al. .	
D. 279,167	6/1985	Haney et al. .	
D. 281,577	12/1985	Larson et al. .	
D. 282,349	1/1986	Larson et al. .	
D. 294,462	3/1988	Ota et al. .	
D. 294,463	3/1988	Lang .	
D. 315,869	4/1991	Collette .	
D. 318,798 *	8/1991	Biesecker .....	D9/540
D. 320,154	9/1991	Alberghini et al. .	

D. 321,830	11/1991	York et al. ....	D9/434
D. 334,713	4/1993	Segati .....	D9/543
D. 337,520	7/1993	Krishnakumar et al. ....	D9/434
D. 344,457	2/1994	Prevot et al. ....	D9/537
D. 345,693	4/1994	Edstrom .	
D. 347,391	5/1994	Guertin .....	D9/566
D. 352,238	11/1994	Vaillencourt et al. ....	D9/434
D. 352,245	11/1994	Krishnakumar et al. ....	D9/538

(List continued on next page.)

**FOREIGN PATENT DOCUMENTS**

WO 98/47770	10/1998	(WO) .
WO 99/08945	2/1999	(WO) .
WO 99/18013	4/1999	(WO) .
WO 99/64300	12/1999	(WO) .
WO 00/35759	6/2000	(WO) .
WO 00/51895	9/2000	(WO) .

*Primary Examiner*—Ted Shooman

*Assistant Examiner*—Carol Rademaker

(74) *Attorney, Agent, or Firm*—Woodcock Washburn Kurtz Mackiewicz & Norris LLP

(57) **CLAIM**

The ornamental design for a container, as shown and described.

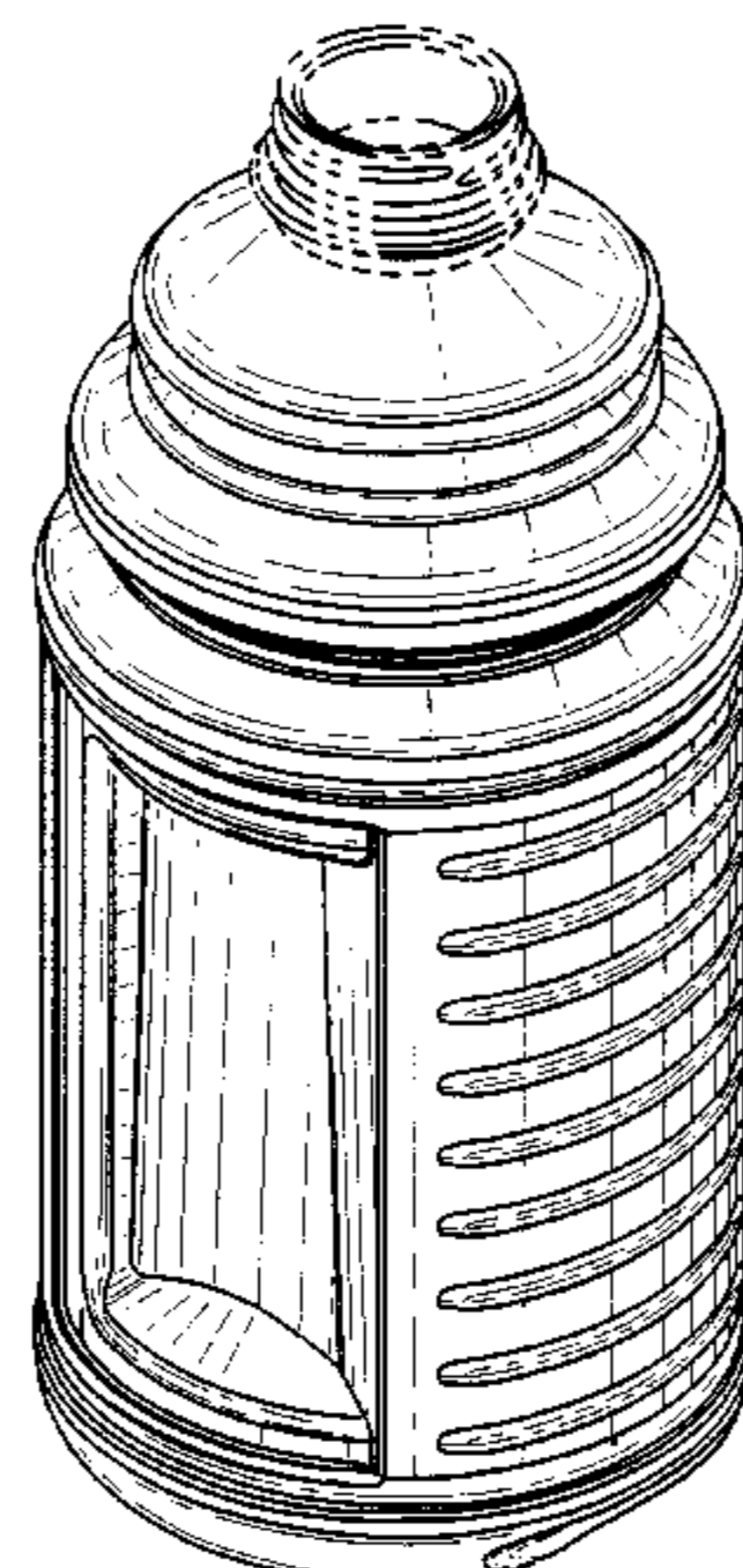
**DESCRIPTION**

FIG. 1 is a perspective view of this invention for a container; FIG. 2 is a side elevation view of the container of FIG. 1, the opposite side being a mirror image; FIG. 3 is a rear elevation view of the container of FIG. 1; FIG. 4 is a front elevation view of the container of FIG. 1; FIG. 5 is a top plan view of the container of FIG. 1; and, FIG. 6 is a bottom plan view of the container of FIG. 1.

The dotted line shown at the bottom of the unclaimed neck and threads in FIGS. 1-5 represents the boundary of the claimed design.

The dot-dash line showing of the neck and threads of the container and of the central portion of the bottom of the container in FIGS. 1-5 is for illustrative purposes only and forms no part of the claimed design.

**1 Claim, 5 Drawing Sheets**



U.S. PATENT DOCUMENTS						
D. 354,685	1/1995	Krishnakumar et al. ....	D9/543	5,064,081	11/1991 Hayashi et al. ....	215/1 C
D. 357,188	4/1995	Stockwell et al. ....	D9/543	5,092,474	3/1992 Leigner .....	215/1 C
D. 358,333	5/1995	Stockwell et al. ....	D9/531	5,092,475	3/1992 Krishnakumar et al. ....	215/1 C
D. 358,766	5/1995	Vaillencourt et al. ....	D9/434	5,103,988	4/1992 Reil et al. ....	215/100 A
D. 359,449	6/1995	Ota et al. ....	D9/434	5,122,327	6/1992 Spina et al. ....	264/534
D. 360,582	7/1995	McDonald et al. ....	D9/520	5,141,120	8/1992 Brown et al. ....	215/1 C
D. 364,565	11/1995	Vaillencourt et al. ....	D9/434	5,141,121	8/1992 Brown et al. ....	215/100 A
D. 366,416	1/1996	Semersky .....	D9/434	5,148,930	9/1992 Ota et al. ....	215/1 C
D. 366,417	1/1996	Semersky .....	D9/434	5,156,285	10/1992 Zogg et al. ....	215/100 A
D. 366,831	2/1996	Semersky et al. ....	D9/434	5,158,190	10/1992 Sosenko .....	215/1 R
D. 369,110	4/1996	Dyer .....	D9/520	5,165,557	11/1992 Ota et al. ....	215/1 C
D. 376,978	12/1996	Silvers et al. ....	D9/434	5,178,289	1/1993 Krishnakumar et al. ....	215/1 C
D. 379,763	6/1997	Ewing, Jr. ....	D9/520	5,178,290	1/1993 Ota et al. ....	215/1 C
D. 382,485	8/1997	Krishnakumar et al. ....	D9/543	5,199,587	4/1993 Ota et al. ....	215/1 C
D. 382,799	8/1997	Darr .....	D9/434	5,199,588	4/1993 Hayashi .....	215/1 C
D. 382,807	8/1997	Silvers et al. ....	D9/520	5,215,203	6/1993 Malcolm .....	215/100 A
D. 383,067	9/1997	Gower et al. ....	D9/520	5,222,615	6/1993 Ota et al. ....	215/1 C
D. 385,497 *	10/1997	Krishnakumar et al. ....	D9/543	5,224,614	7/1993 Bono et al. ....	215/100 A
D. 386,418	11/1997	Edstrom et al. ....	D9/538	5,226,550	7/1993 Mikolaitis et al. ....	215/1 C
D. 390,114	2/1998	Young .....	D9/520	5,255,889	10/1993 Collette et al. ....	249/102
D. 390,116	2/1998	Larkin et al. ....	D9/528	5,261,543	11/1993 Ugarelli .....	215/1 C
D. 391,160	2/1998	Lauth .....	D9/502	5,279,433	1/1994 Krishnakumar et al. ....	215/1 C
D. 391,168	2/1998	Ogg .....	D9/538	5,303,833	4/1994 Hayashi et al. ....	215/1 C
D. 393,210	4/1998	Ewing, Jr. ....	D9/543	5,303,834	4/1994 Krishnakumar et al. ....	215/1 C
D. 393,802	4/1998	Collette et al. ....	D9/502	5,322,184	6/1994 Bergner et al. ....	220/771
D. 415,681	10/1999	Yourist .....	D9/434	5,330,054	7/1994 Brown .....	206/459.5
D. 419,872 *	2/2000	Lane .....	D9/434	5,337,909	8/1994 Vaillencourt .....	215/1 C
D. 420,587	2/2000	Cheng et al. ....	D9/434	5,341,946	8/1994 Vaillencourt et al. ....	215/1 C
D. 429,152 *	8/2000	Lane .....	D9/434	5,350,078	9/1994 Potts et al. ....	215/384
D. 431,465	11/1998	Cheng et al. ....	D9/434	5,381,910	1/1995 Sugiura et al. ....	215/1 C
1,602,391	10/1926	Creaver .....	215/384	5,392,937	2/1995 Prevot et al. ....	215/1 C
1,636,174	7/1927	Dolan et al. .		5,407,086	4/1995 Ota et al. ....	215/1 C
3,152,710	10/1964	Platte .....	215/1	5,413,244	5/1995 Ramsey .....	220/671
3,225,950	12/1965	Josephsen et al. ....	215/384	5,431,291	7/1995 LaBombarbe, Jr. ....	215/44
3,308,997	3/1967	Kelly .....	215/384 X	5,435,451	7/1995 Dyer .....	215/400
3,536,500	10/1970	Cleereman et al. ....	99/171	5,472,105	12/1995 Krishnakumar et al. ....	215/384
4,318,882	3/1982	Agrawal et al. ....	264/521	5,579,937	12/1996 Valyi .....	215/384
4,497,855	2/1985	Agrawal et al. ....	428/35	5,598,941	2/1997 Semersky et al. ....	215/384
4,570,808	2/1986	Campbell et al. ....	215/11 R	5,637,167	6/1997 Krishnakumar et al. ....	156/85
4,804,097	2/1989	Alberghini et al. ....	215/100 A	5,669,520	9/1997 Simpson .....	215/11.1
4,805,788	2/1989	Akiho .....	215/1 C	5,671,864	9/1997 Caruthers .....	220/737
4,813,556	3/1989	Lawrence .....	215/11.3	5,682,931	11/1997 Mouchmouchian .....	141/319
4,863,046	9/1989	Collette et al. ....	215/1 C	5,690,244	11/1997 Darr .....	215/382
4,877,141	10/1989	Hayashi et al. ....	215/1 C	5,704,503	1/1998 Krishnakumar et al. ....	215/381
4,885,809	12/1989	Muchmore .....	4/259	5,704,506	1/1998 Tobias et al. ....	215/398
4,890,752	1/1990	Ota et al. ....	215/1 C	5,711,445	1/1998 Robbins, III .....	220/8
4,946,053	8/1990	Conrad .....	215/1 C	5,713,681	2/1998 Venne et al. ....	401/202
4,969,922	11/1990	Platte, Sr. ....	215/1 C	5,732,838	3/1998 Young .....	215/384
4,979,628	12/1990	Robbins, III .....	215/1 C	5,735,420	4/1998 Nakamaki et al. ....	215/373
4,993,565	2/1991	Ota et al. ....	215/1 C	5,735,421	4/1998 Deemer et al. ....	215/382
4,993,566	2/1991	Eberle .....	215/1 C	5,740,934	4/1998 Brady .....	215/381
4,993,567	2/1991	Eberle, Jr. ....	215/1 C	5,758,790	6/1998 Ewing, Jr. ....	215/384
5,005,716	4/1991	Eberle .....	215/1 C	5,762,221	6/1998 Tobias et al. ....	215/381
5,027,963	7/1991	Robbins, III .....	215/1 C	5,803,290	9/1998 Bongiorno .....	215/384
5,052,567	10/1991	Colani .....	215/100 A	5,908,127	6/1999 Weick et al. ....	215/382 X
5,054,632	10/1991	Alberghini et al. ....	215/1 C	6,164,474	11/1998 Cheng et al. ....	215/384

\* cited by examiner

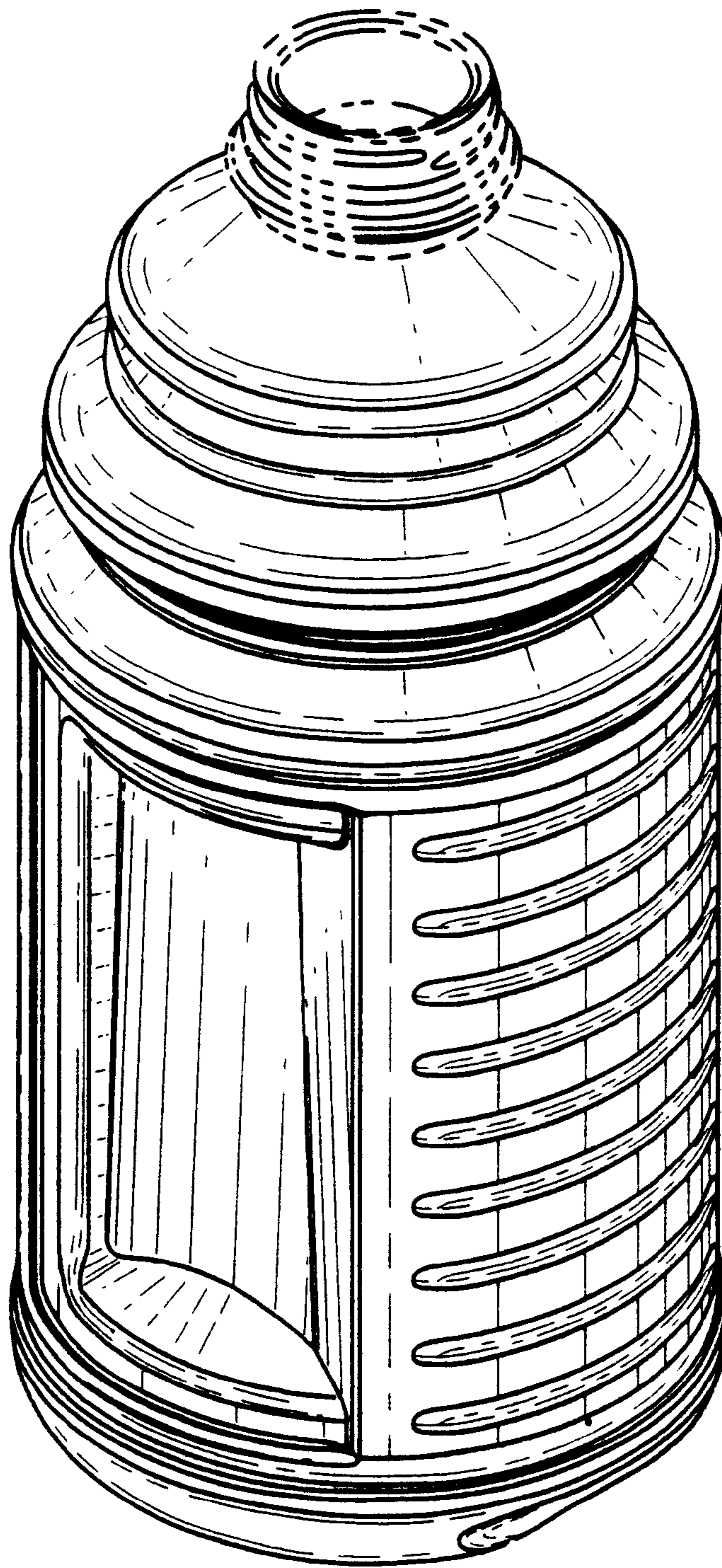


FIG. 1

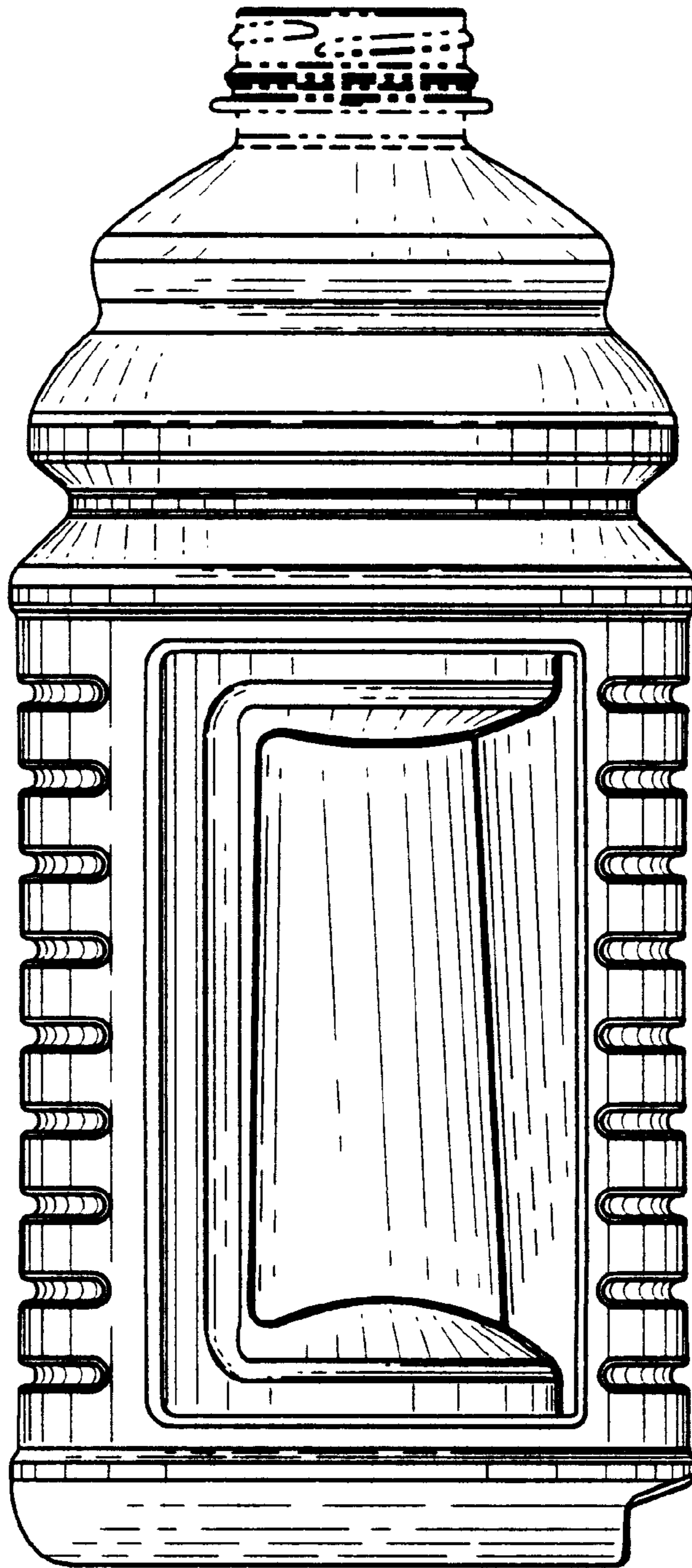


FIG. 2

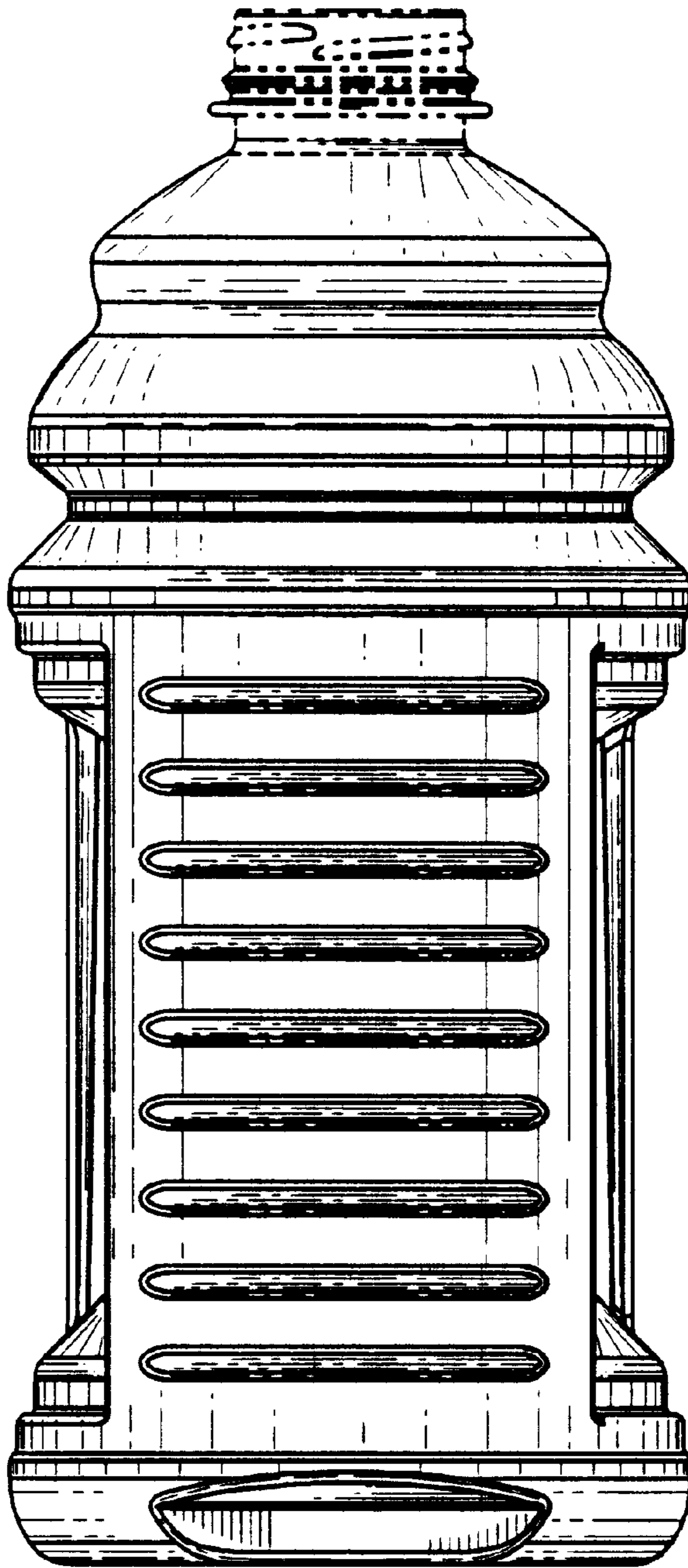


FIG. 3

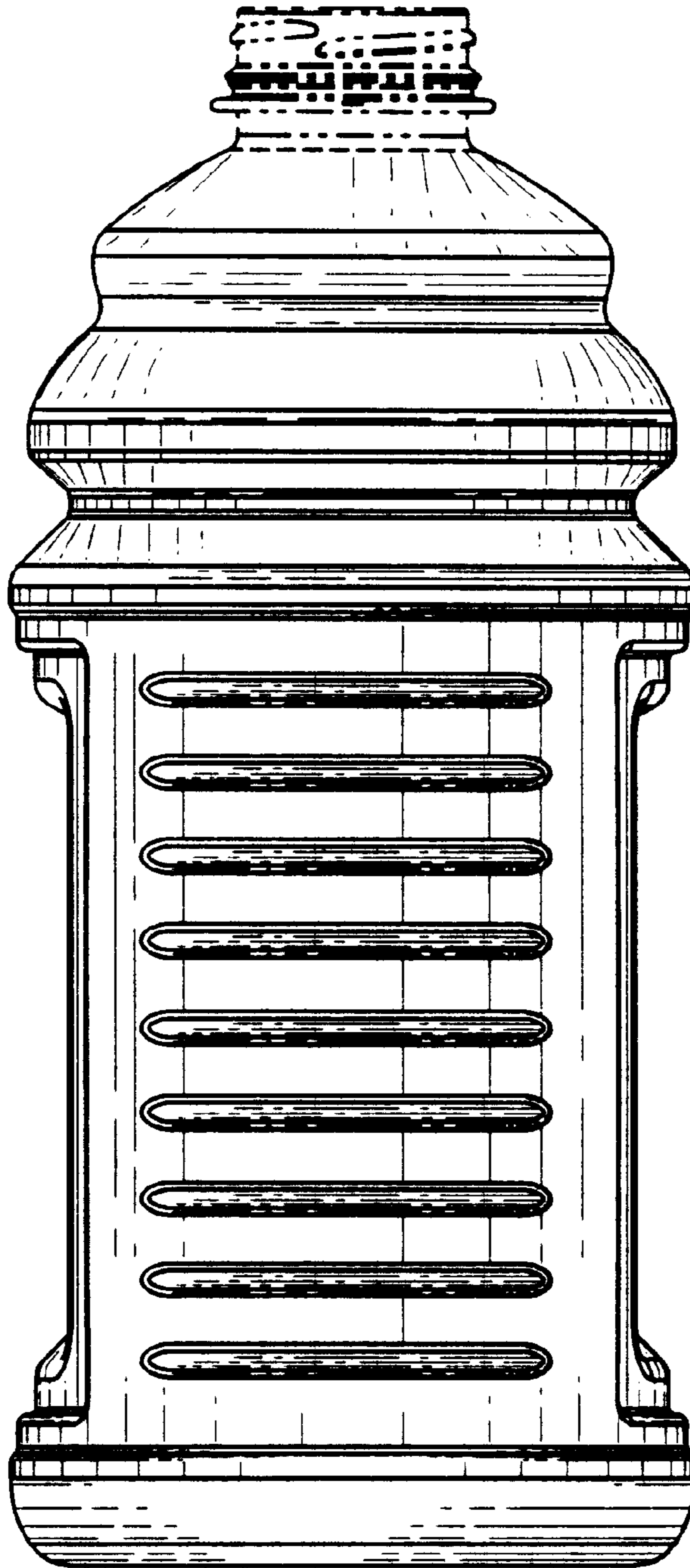


FIG. 4

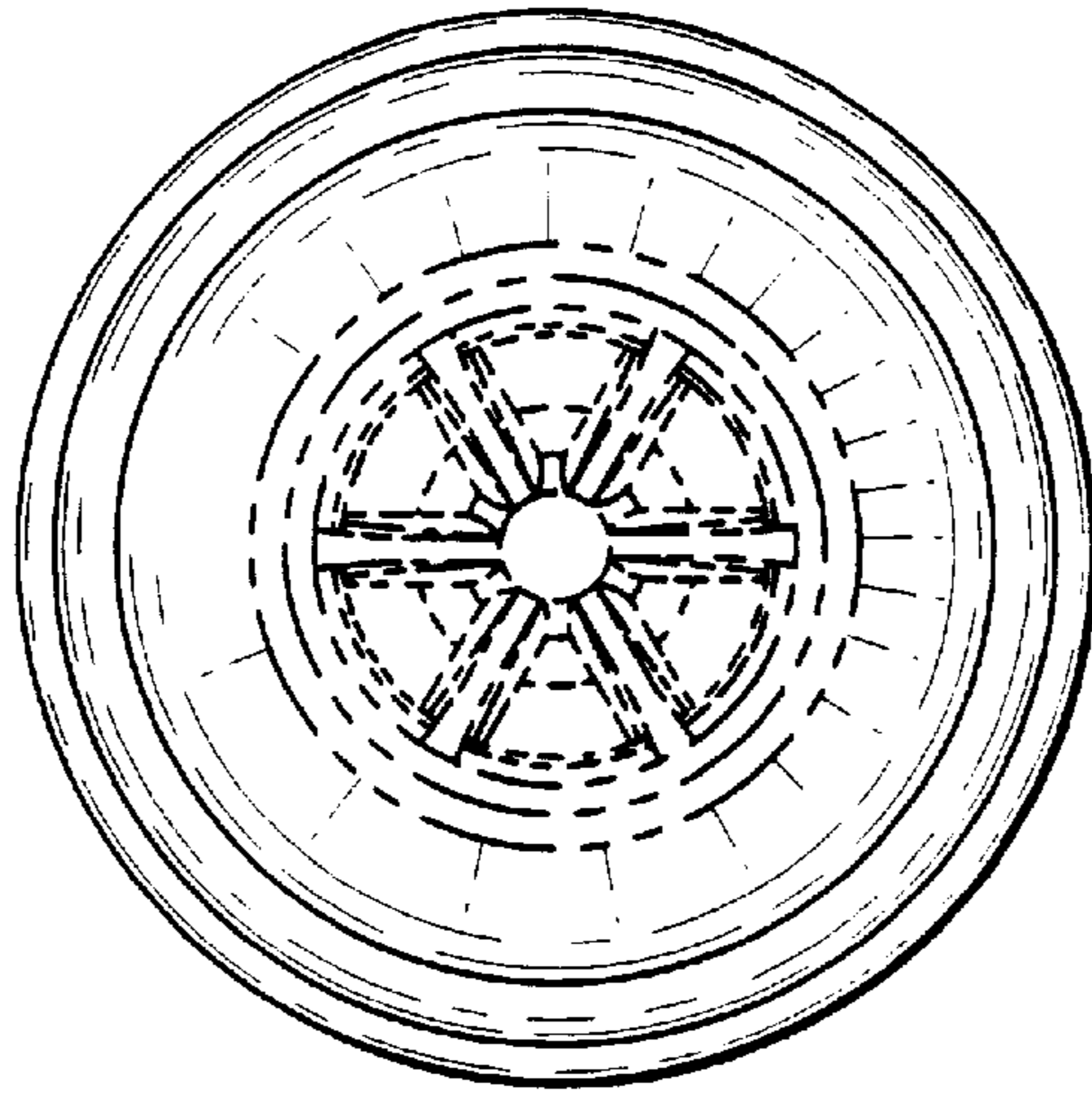


FIG. 5

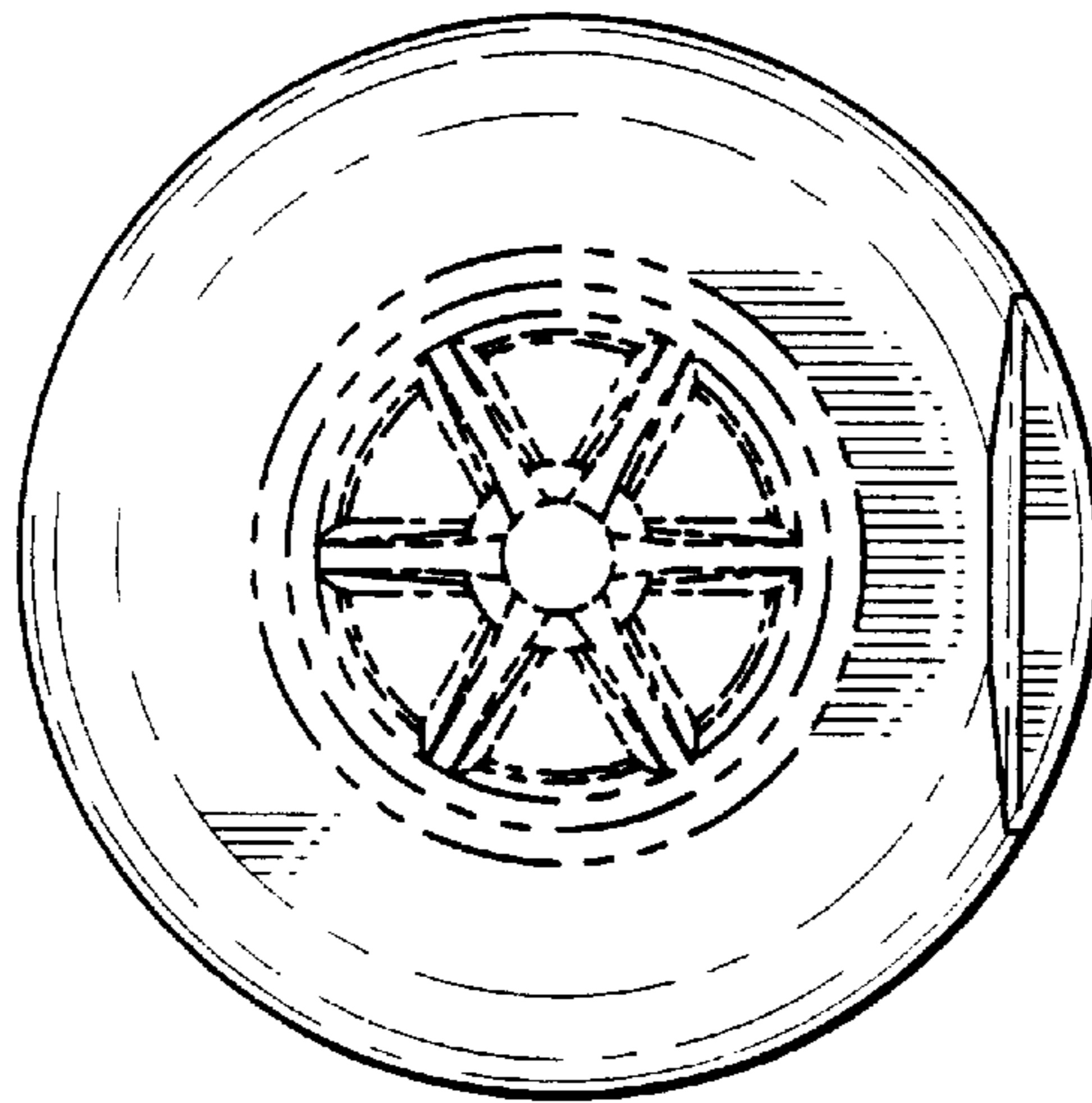


FIG. 6