



US00D448299B1

(12) **United States Design Patent**
Negre

(10) **Patent No.:** **US D448,299 S**

(45) **Date of Patent:** **** Sep. 25, 2001**

(54) **CONTAINER FOR COSMETIC PRODUCTS**

(75) **Inventor:** **Philippe Negre, Versailles (FR)**

(73) **Assignee:** **Decoplast, S.A., La Roche sur Foron (FR)**

(**) **Term:** **14 Years**

(21) **Appl. No.:** **29/130,727**

(22) **Filed:** **Oct. 10, 2000**

D. 274,220	*	6/1984	Biesecker	D9/503
D. 288,904	*	3/1987	Weckman	D9/349
D. 334,705		4/1993	Pereira et al.	D9/300
D. 342,680		12/1993	Pereira et al.	D9/300
D. 368,771	*	4/1996	Patel et al.	D23/367
D. 380,355	*	7/1997	Husted	D9/529 X
D. 392,558		3/1998	Monaghan	D9/300
D. 392,888	*	3/1998	Bakic	D9/503
D. 411,100		6/1999	Torres	D9/300
D. 411,751		6/1999	Bakic	D9/558
2,711,766		6/1955	Archer et al.	D9/504 X
5,518,151		5/1996	Knickerbocker	222/382

Related U.S. Application Data

(62) Division of application No. 29/093,899, filed on Sep. 21, 1998, now Pat. No. Des. 433,624.

(30) **Foreign Application Priority Data**

Mar. 20, 1998 (FR) 98 1777

(51) **LOC (7) Cl.** **09-01**

(52) **U.S. Cl.** **D9/502; D9/503**

(58) **Field of Search** D28/76, 77, 82, D28/88, 91; D9/500-505, 516, 517, 519, 520, 529, 549, 562, 414, 424; 206/581, 823; 132/286; 215/382

(56) **References Cited**

U.S. PATENT DOCUMENTS

D. 6,158	*	10/1872	Adams et al.	D9/502
D. 195,787		7/1963	Thompson	D9/558
D. 211,152	*	5/1968	Fuerst	D9/500
D. 211,563	*	7/1968	Cherry	D9/500
D. 262,266	*	12/1981	Hadtke et al.	D9/424

OTHER PUBLICATIONS

Avon Catalog, 1966, p. 35, "Royal Pine Bath Oil" bottle.
Modern Packaging, Mar. 1974, p. 32, spray bottle.

* cited by examiner

Primary Examiner—Philip S. Hyder

Assistant Examiner—C Tuttle

(74) *Attorney, Agent, or Firm*—Young & Thompson

(57) **CLAIM**

The ornamental design for a container for cosmetic products, as shown and described.

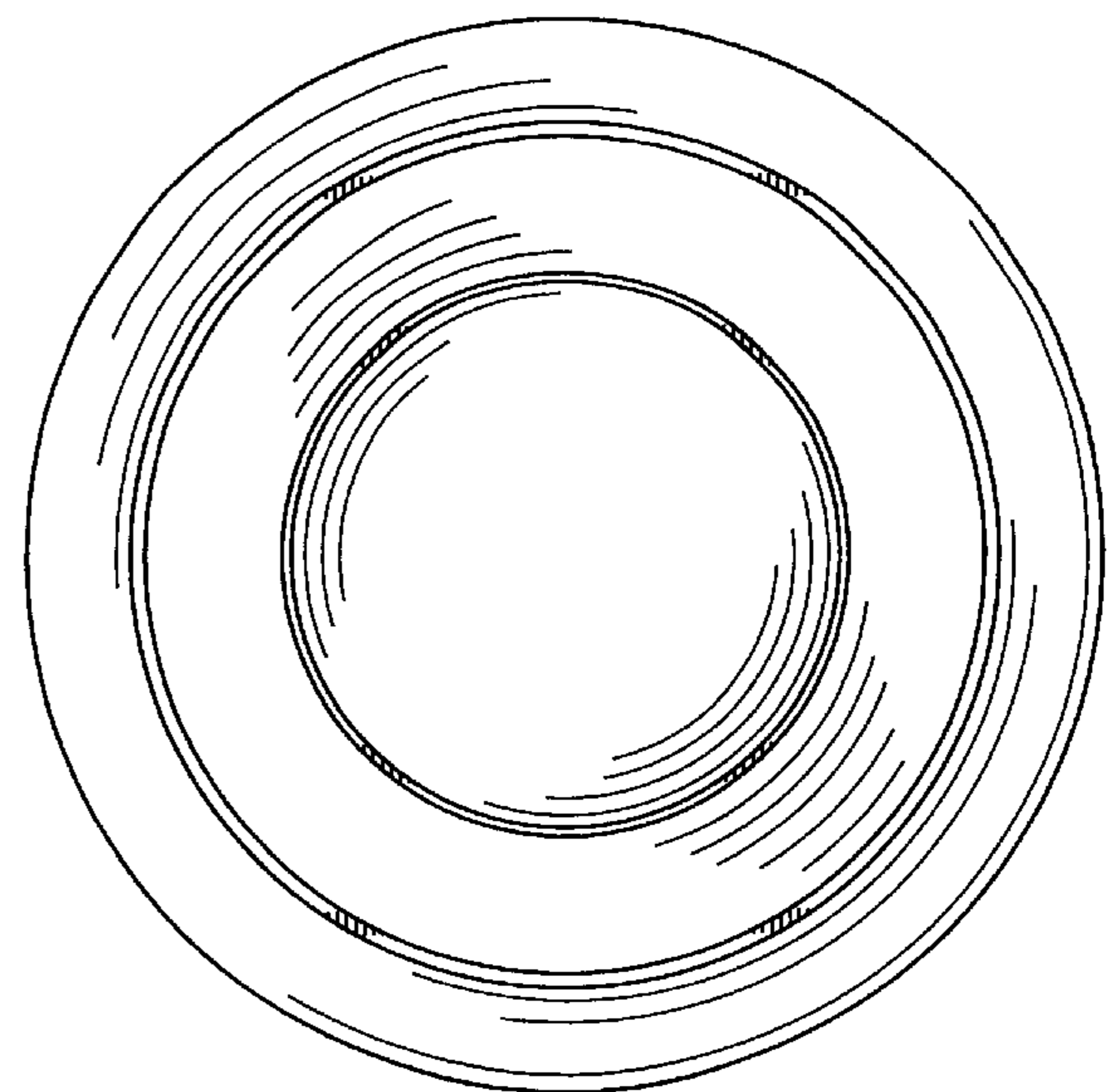
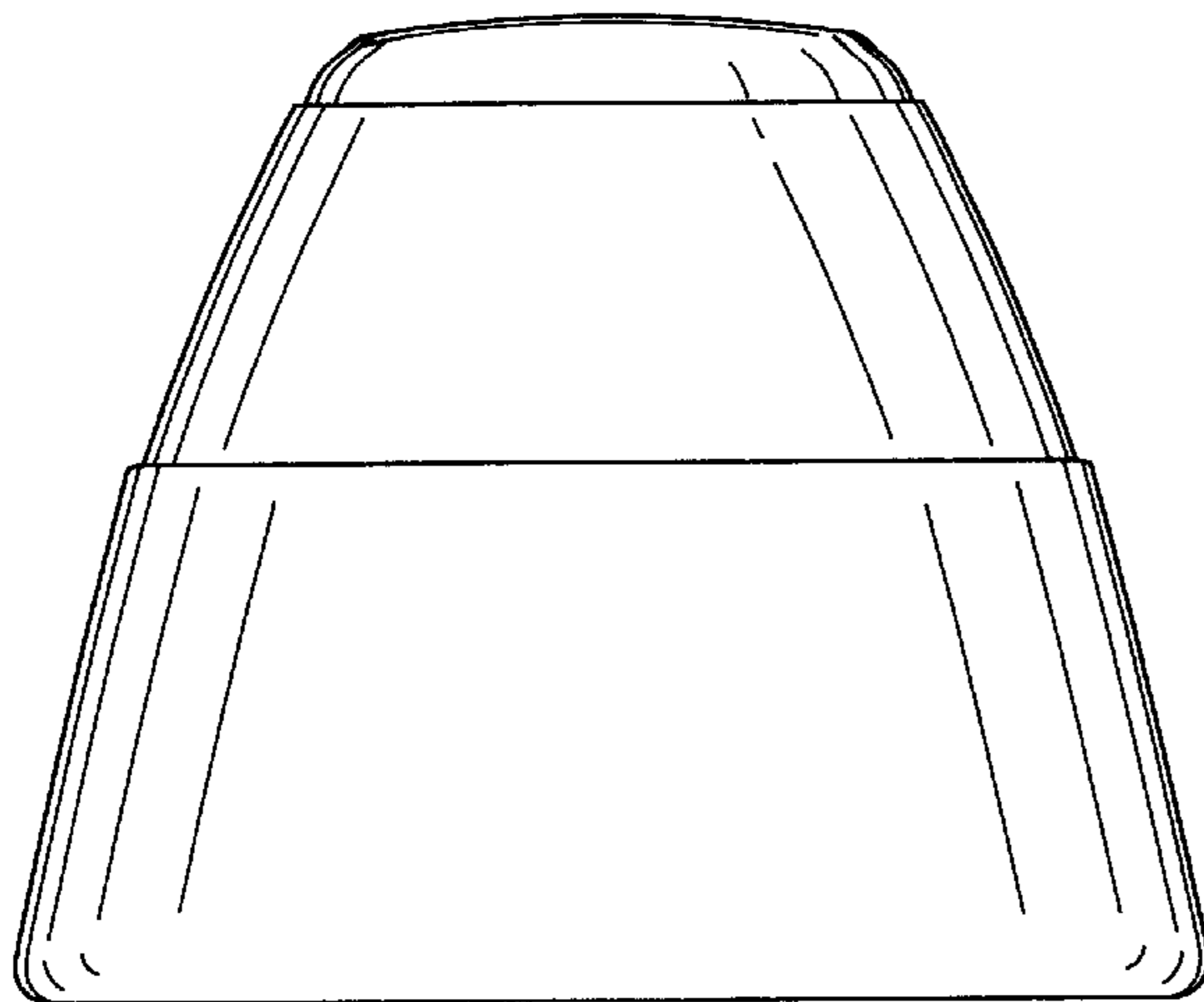
DESCRIPTION

FIG. 1 is a side elevational view of a container for cosmetics, showing my new design, the container being a figure of revolution about a vertical axis and all sides thereof being identical to that shown in FIG. 1;

FIG. 2 is a top plan thereof; and,

FIG. 3 is a bottom plan thereof.

1 Claim, 2 Drawing Sheets



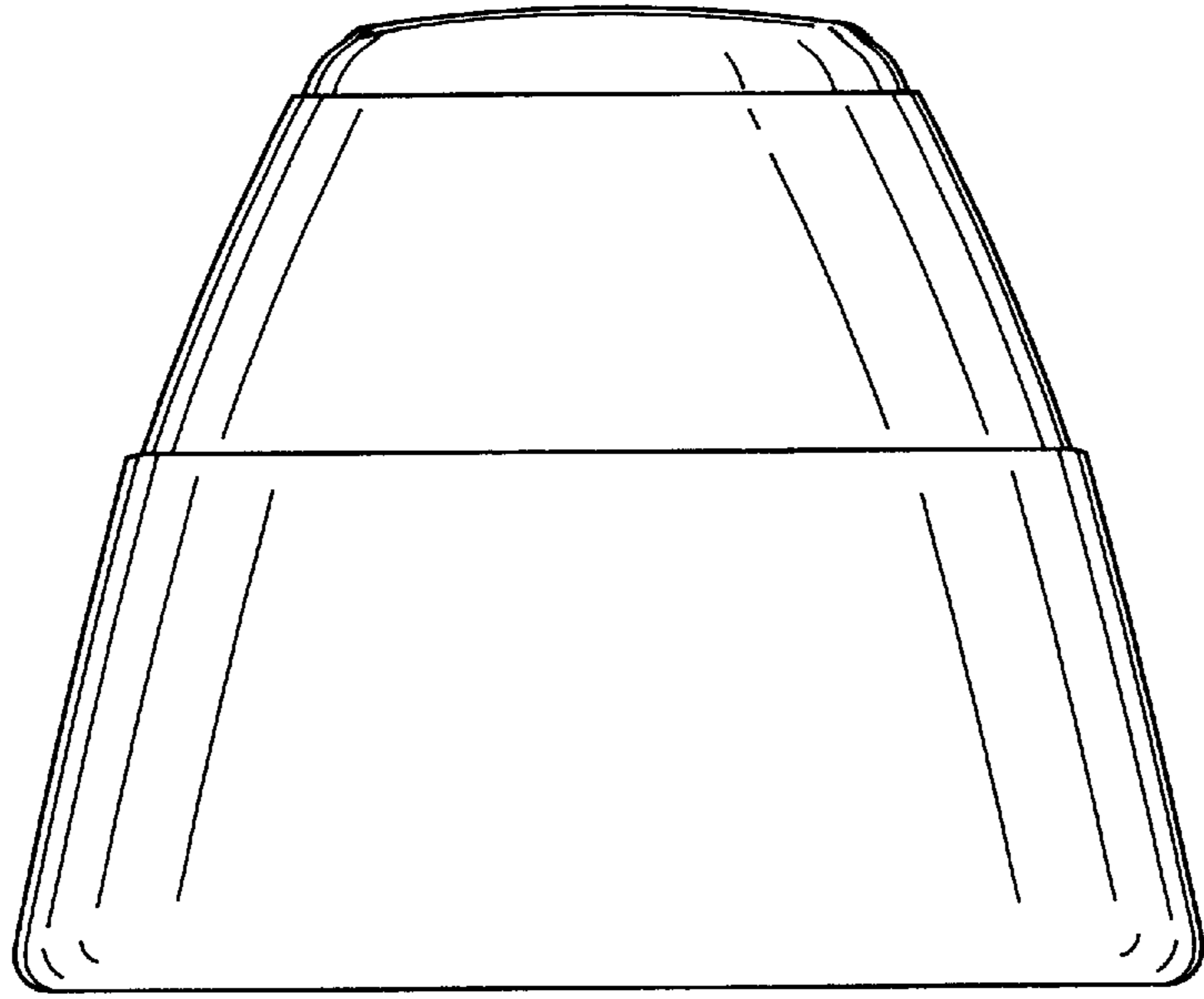


FIG. 1

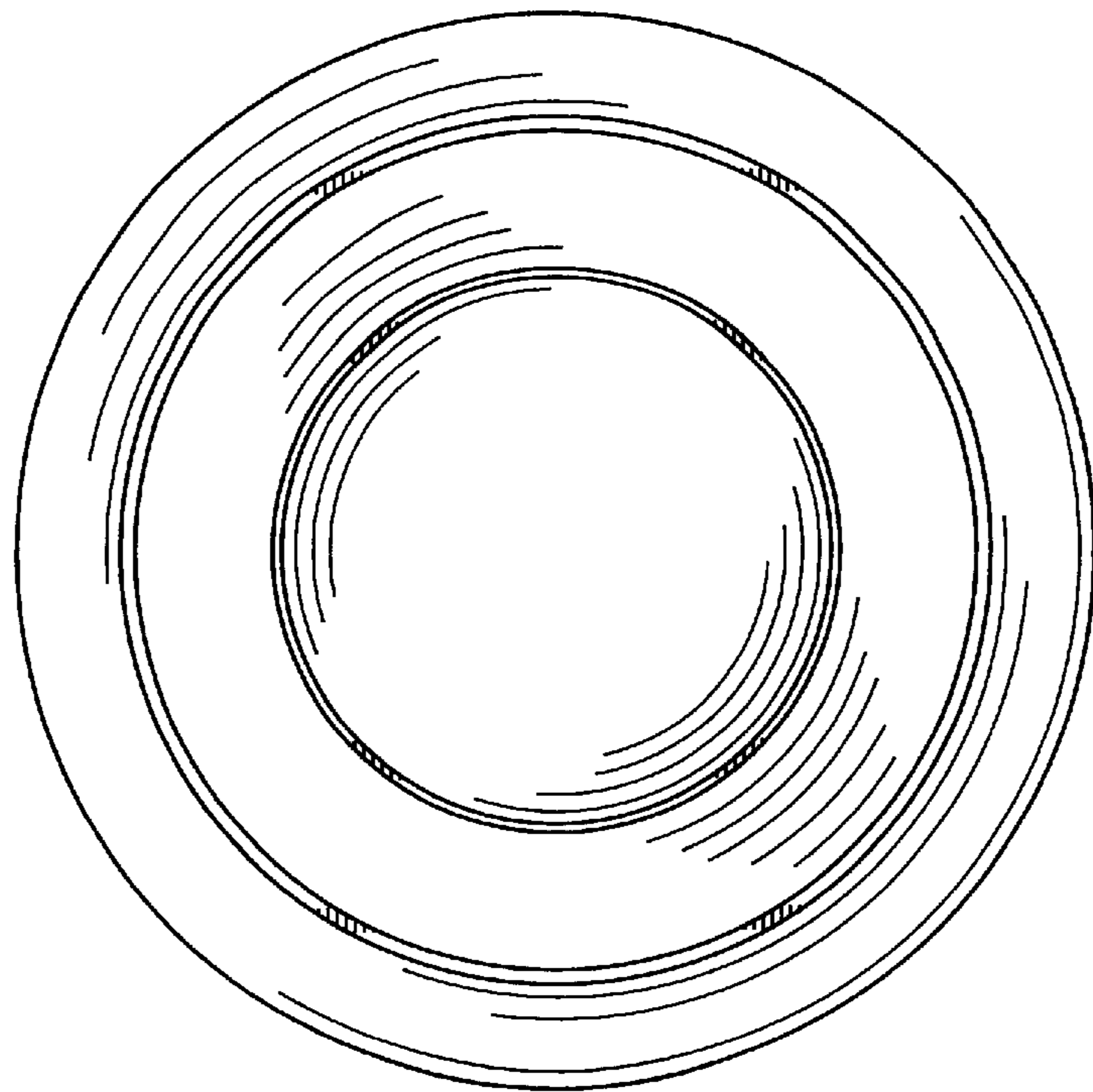


FIG. 2

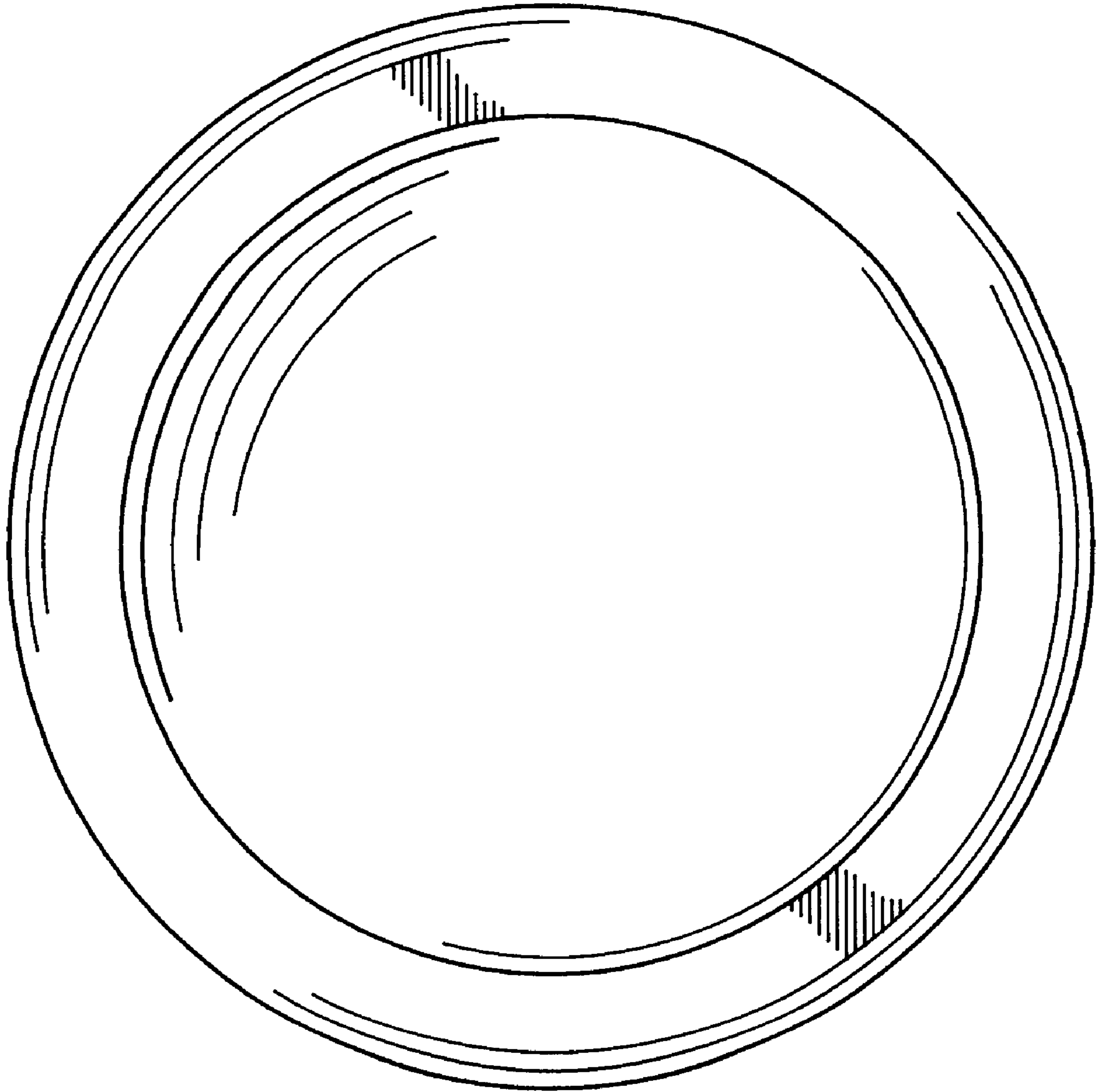


FIG. 3