



US00D448297B1

(12) **United States Design Patent**
Sindermann

(10) **Patent No.:** **US D448,297 S**

(45) **Date of Patent:** **** Sep. 25, 2001**

(54) **SCREW-TOP CLOSURE WITH CROWN CAP**

5,673,809 * 10/1997 Ohmi et al. 215/252
6,006,933 * 12/1999 Henning et al. 215/328

(75) Inventor: **Siegmar Sindermann**, Kamen (DE)

* cited by examiner

(73) Assignee: **KHS Maschinen- und Anlagenbau AG**, Dortmund (DE)

Primary Examiner—Cathron C. Brooks

(**) Term: **14 Years**

(74) *Attorney, Agent, or Firm*—Nils H. Ljungman & Associates

(21) Appl. No.: **29/124,381**

(57) **CLAIM**

(22) Filed: **Jun. 5, 2000**

The ornamental design for a screw-top closure with crown cap, as shown and described.

(30) **Foreign Application Priority Data**

DESCRIPTION

Dec. 3, 1999 (DE) 4 99 11 411

(51) **LOC (7) Cl.** **09-07**

(52) **U.S. Cl.** **D9/453**

(58) **Field of Search** D9/435, 438, 443,
D9/453, 454, 518; 215/201, 250, 251, 252,
253, 254, 255, 256, 258, 324, 328; 220/265,
266, 268

FIG. 1 is a perspective view of the screw-top showing a part of the top portion of the screw-top.

FIG. 2 is a top view of the screw-top.

FIG. 3 is a side view of the screw-top attached to a neck of a bottle shown in broken lines.

FIG. 4 is a bottom view of the screw-top looking at the interior of the screw-top with a sealing element ready for application to a bottle, which sealing element is represented by concentric circles; and,

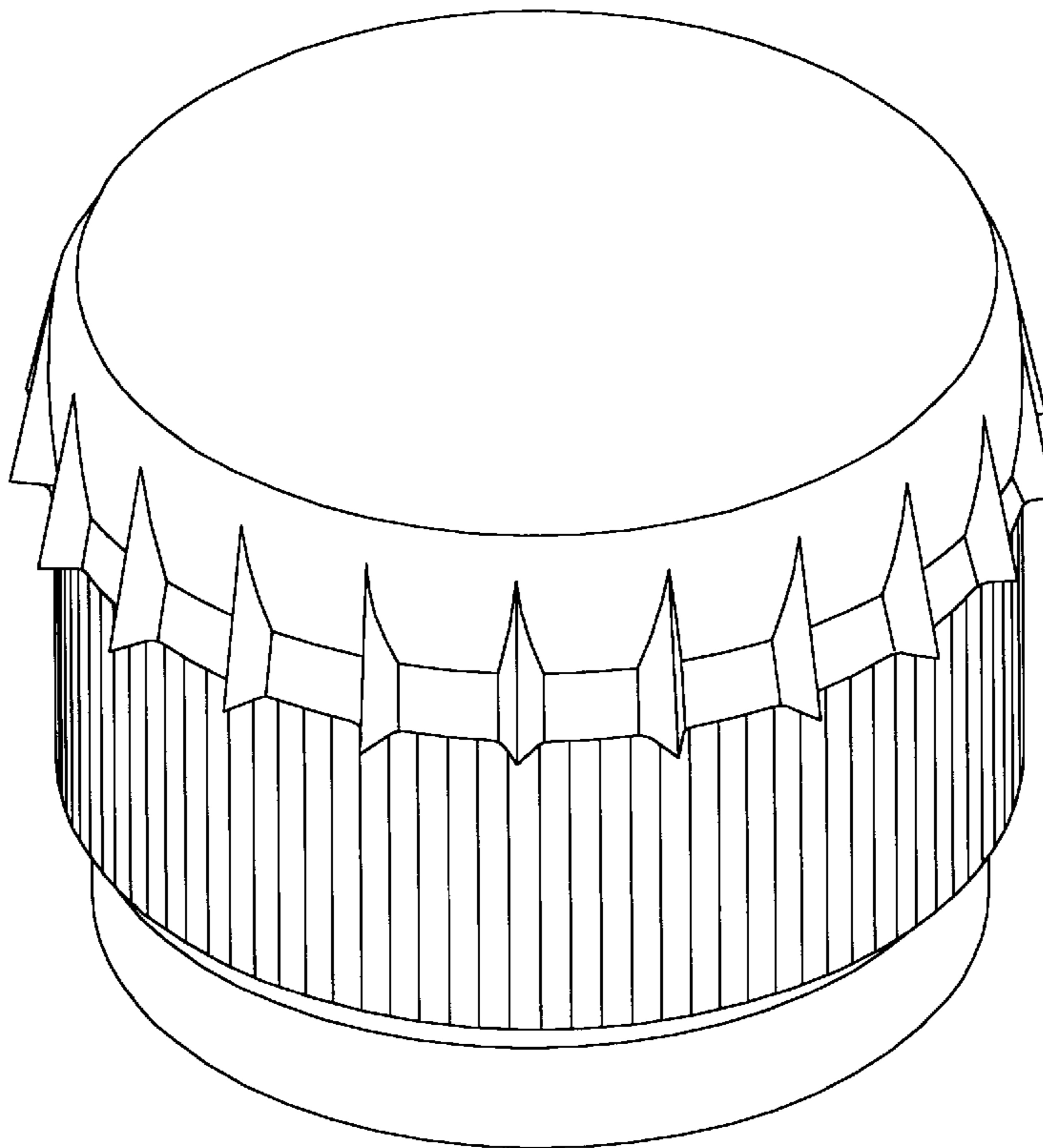
FIG. 5 is a bottom perspective view of the screw-top showing the bottom of the sealing element ready for application to a bottle.

(56) **References Cited**

U.S. PATENT DOCUMENTS

D. 351,795 * 10/1994 Ogden D9/453
D. 415,684 * 10/1999 Reidenbach D9/453
D. 418,757 * 1/2000 Reidenbach D9/453

1 Claim, 3 Drawing Sheets



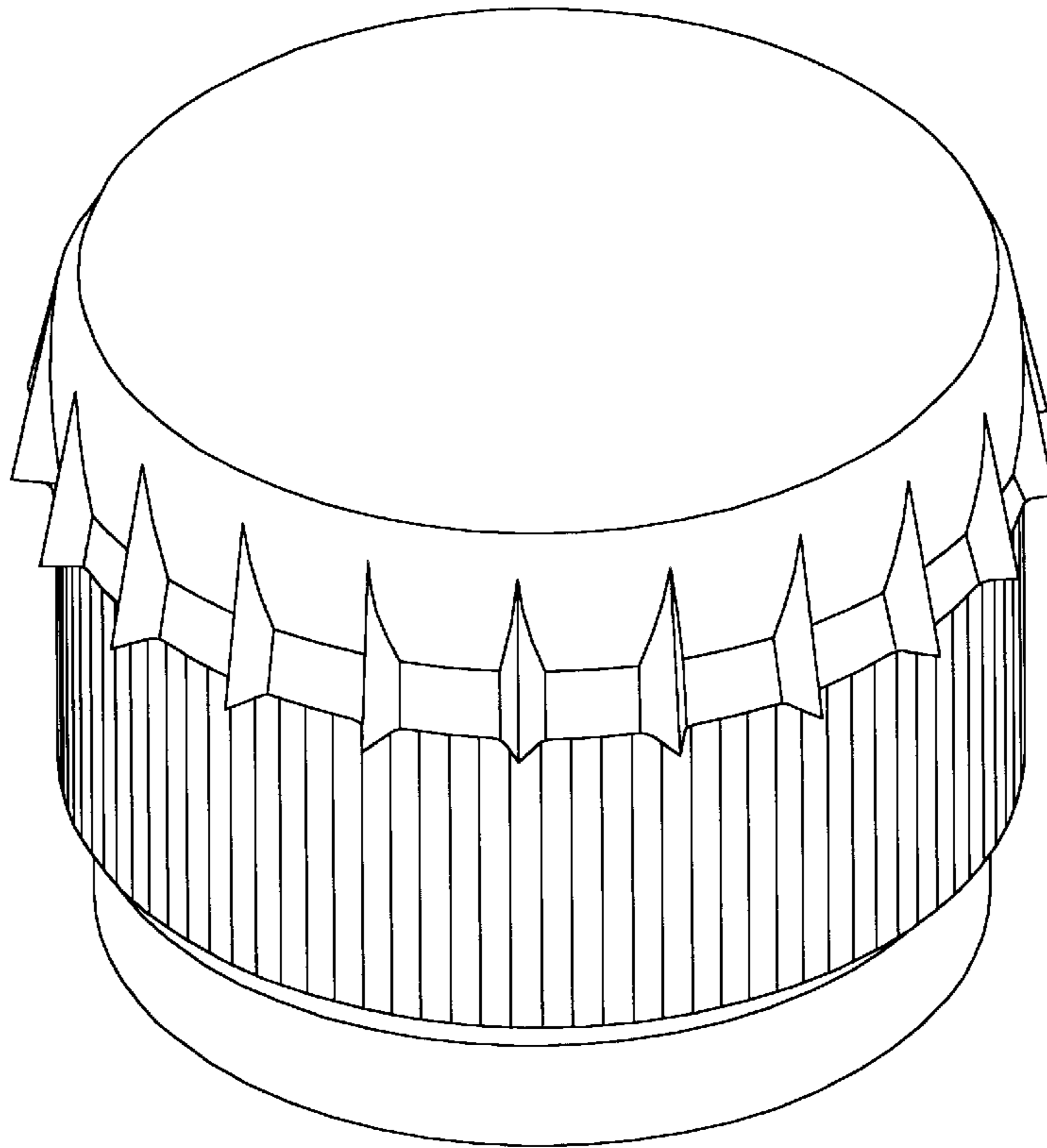


Fig. 1

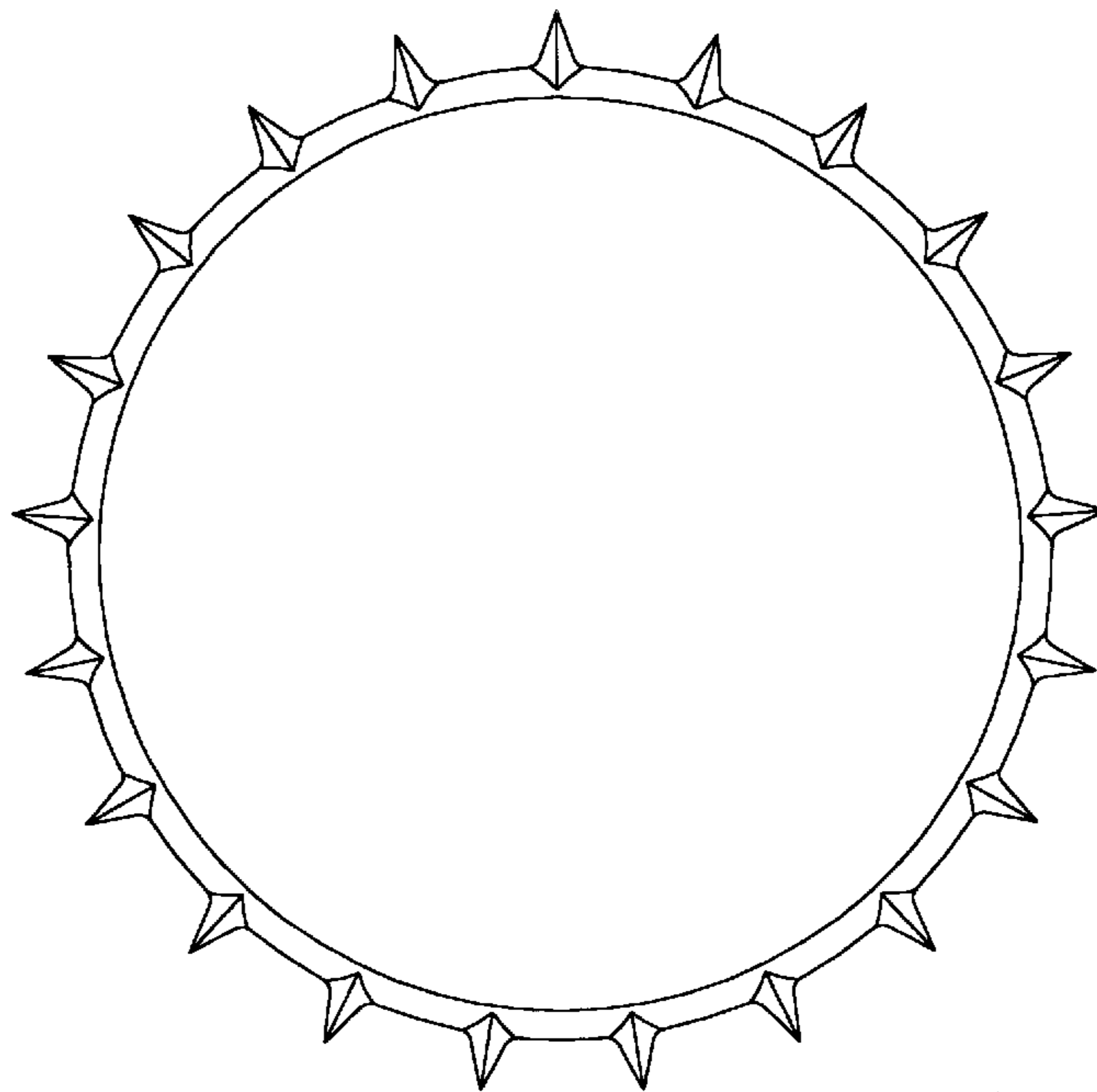


Fig. 2

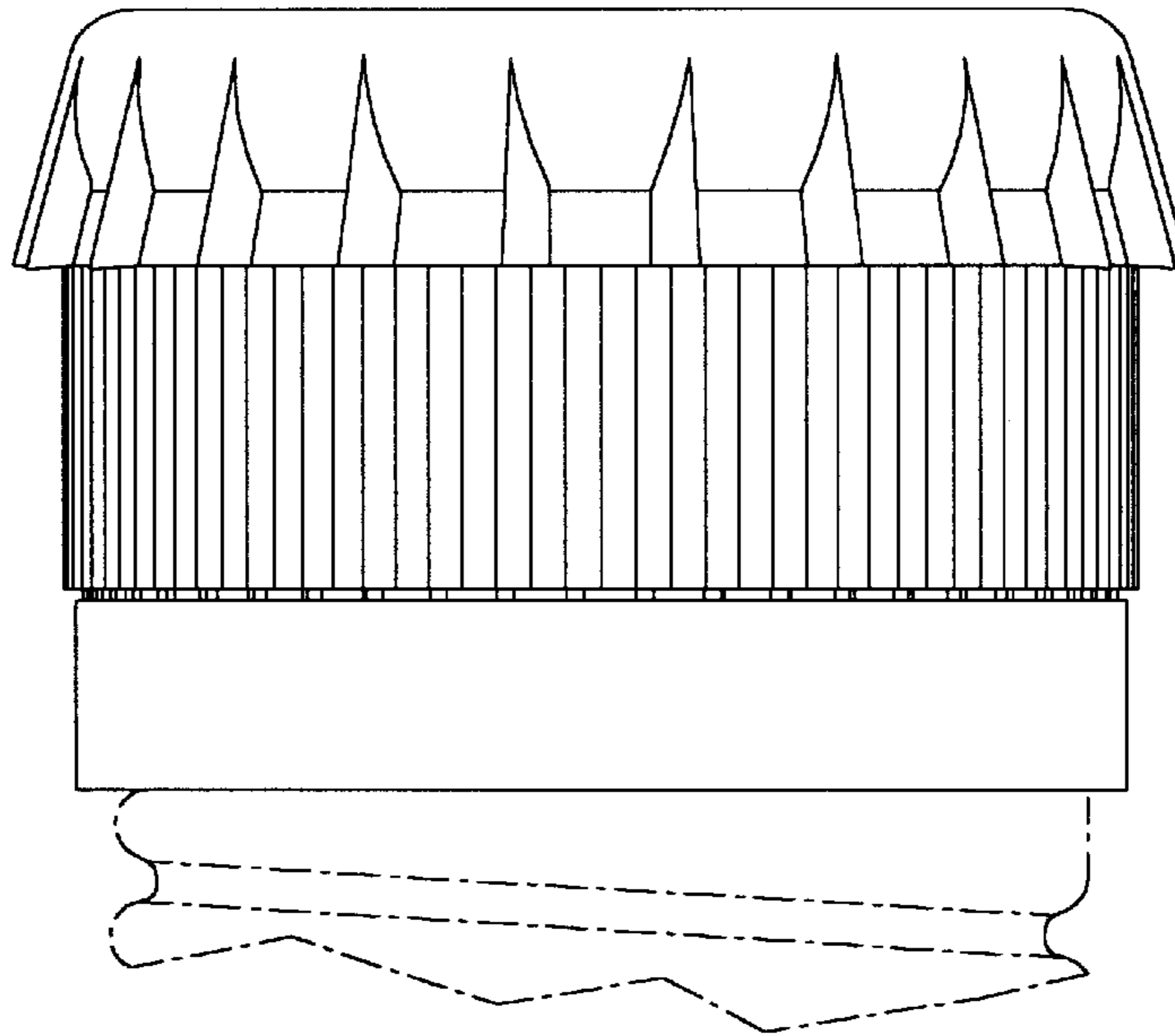


Fig. 3

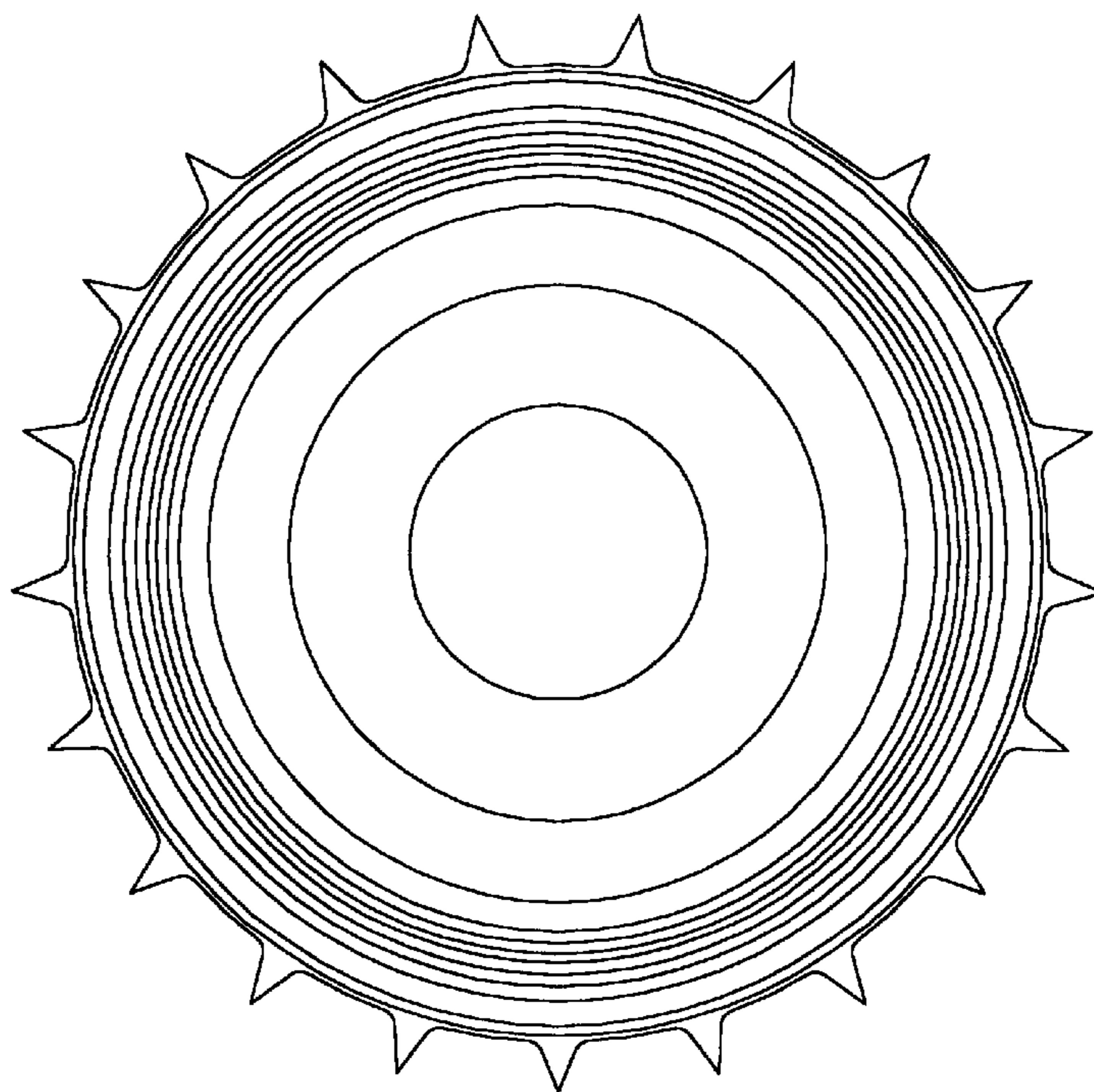


Fig. 4

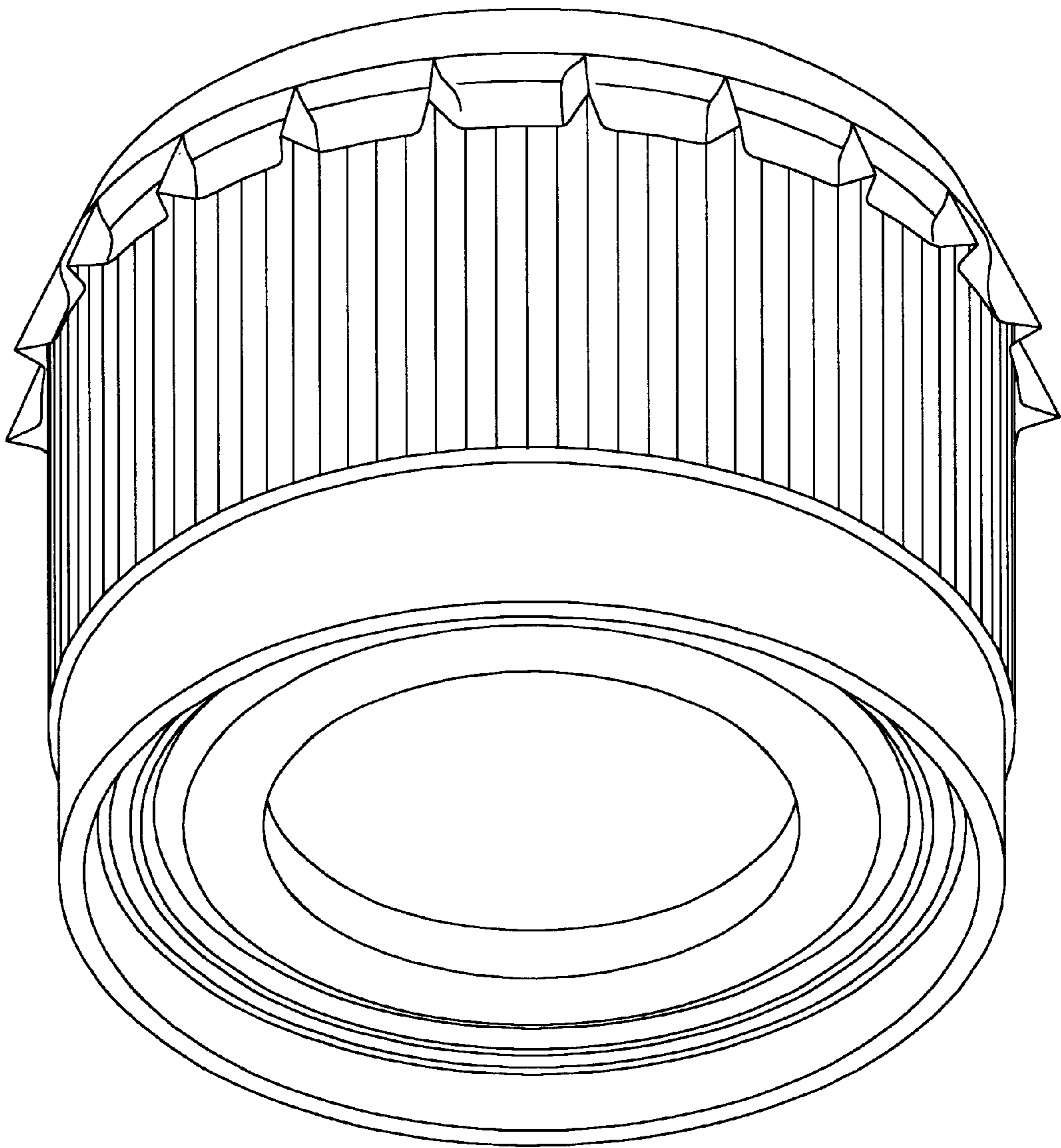


Fig. 5