



US00D448296B1

(12) **United States Design Patent**
Bried et al.

(10) **Patent No.:** **US D448,296 S**

(45) **Date of Patent:** **** Sep. 25, 2001**

(54) **ROUND LID FOR A CONTAINER**

(75) Inventors: **David K. Bried**, Rockford; **C. Alan Peet**, Waterman; **Philip M. Baerenwald**, Rockton, all of IL (US)

(73) Assignee: **J. L. Clark, Inc.**, Rockford, IL (US)

(**) Term: **14 Years**

(21) Appl. No.: **29/138,014**

(22) Filed: **Mar. 2, 2001**

(51) **LOC (7) Cl.** **09-07**

(52) **U.S. Cl.** **D9/449**

(58) **Field of Search** D9/434, 435, 447, D9/449, 450; 215/201, 208, 216, 217, 224, 235, 252, 258, 261, 262, 277, 296, 298, 305, 316, 335; 222/556, 563, 572

(56) **References Cited**

U.S. PATENT DOCUMENTS

D. 292,889	11/1987	Ostrowsky	D9/449
D. 314,708	2/1991	DeCoster	D9/449
D. 321,137	10/1991	Hofmann et al.	D9/447
D. 322,760	12/1991	Blanchette	D9/435
D. 328,711	8/1992	Deflander	D9/524
D. 329,604	9/1992	Kuczer	D9/449
D. 331,877	12/1992	Robichaud et al.	D9/449
D. 331,878	* 12/1992	Forsyth	D9/449
D. 334,538	* 4/1993	Bolen, Jr. et al.	D9/447
D. 335,817	5/1993	Gireubel	D9/300
D. 339,290	9/1993	Close	D9/447
D. 340,187	* 10/1993	Forsyth	D9/449
D. 340,188	10/1993	Forsyth	D9/449
D. 352,899	11/1994	Molo	D9/447
D. 355,121	2/1995	Kohl	D9/447
D. 355,846	2/1995	Denney et al.	D9/449
D. 363,222	10/1995	Lay	D9/447
D. 363,671	10/1995	Mueller	D9/447
D. 369,942	5/1996	Ahern, Jr.	D7/391
D. 379,434	* 5/1997	Robbins, III et al.	D9/449
D. 407,976	4/1999	Ekkert	D9/449
D. 426,772	6/2000	Kahl	D9/44

3,217,949	11/1965	Davis	222/480
3,323,671	6/1967	Minarik, Jr. et al.	215/40
3,419,198	12/1968	Pettersen	222/541
3,836,056	9/1974	Pehr	222/480
3,845,872	11/1974	Towns et al.	215/9
3,850,350	11/1974	Towns et al.	222/556
4,010,875	3/1977	Babiol	222/517
4,127,221	11/1978	Vere	222/153
4,158,902	6/1979	Chernack et al.	16/150
4,168,032	9/1979	Sneider	239/327
4,209,100	6/1980	Uhlig	215/216
4,220,248	9/1980	Wilson et al.	215/235
4,223,814	9/1980	Sneider	222/565
4,244,495	1/1981	Lorscheid et al.	222/153
4,261,480	4/1981	Fuss	221/304
4,291,818	9/1981	Nozawa et al.	220/335
4,369,901	1/1983	Hidding	222/480
4,371,095	2/1983	Montgomery et al.	222/153
4,457,458	7/1984	Heinol	222/498
4,494,679	1/1985	Cleevly	222/151

(List continued on next page.)

Primary Examiner—Dominic Simone

(74) *Attorney, Agent, or Firm*—Leydig, Voit & Mayer Ltd.

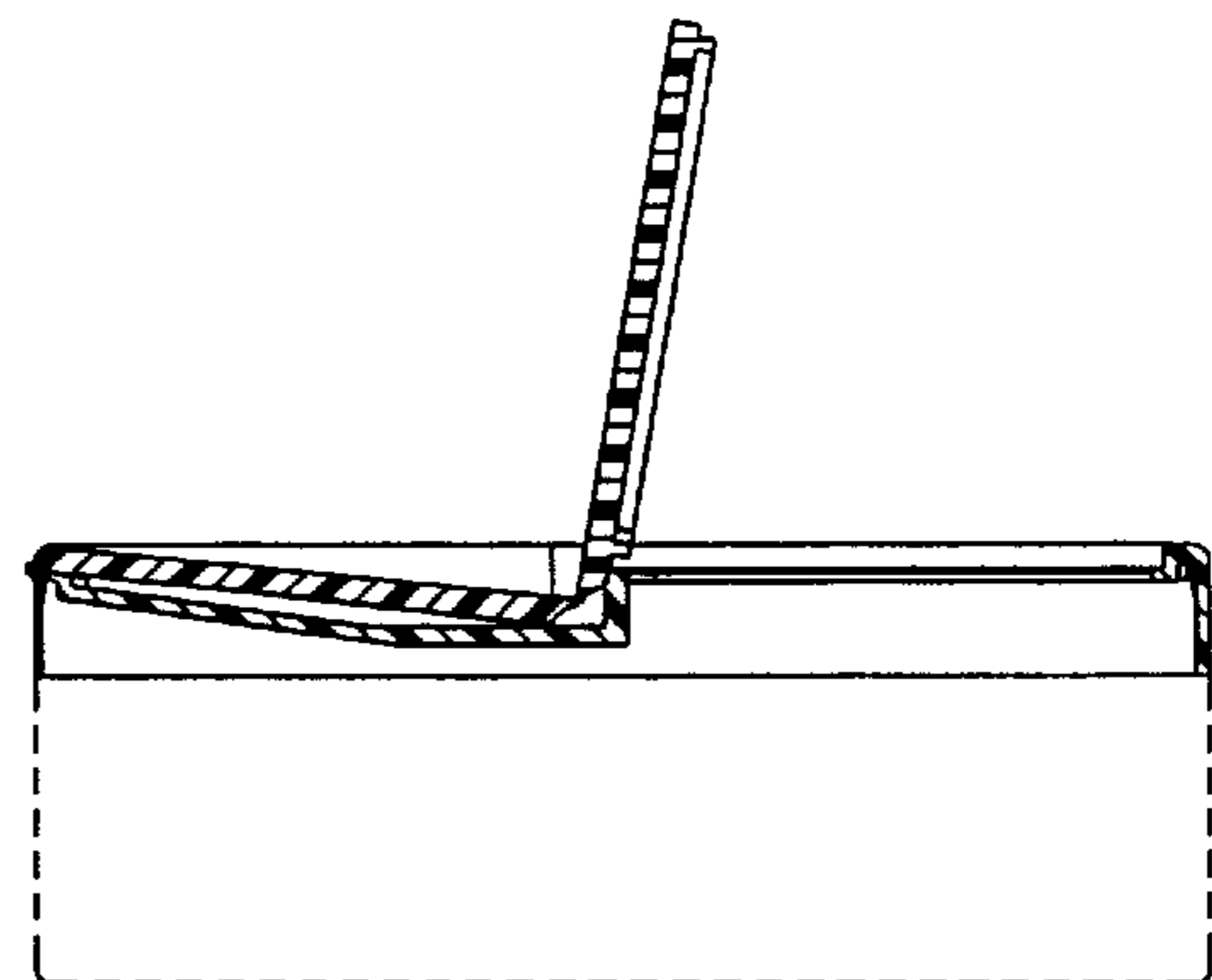
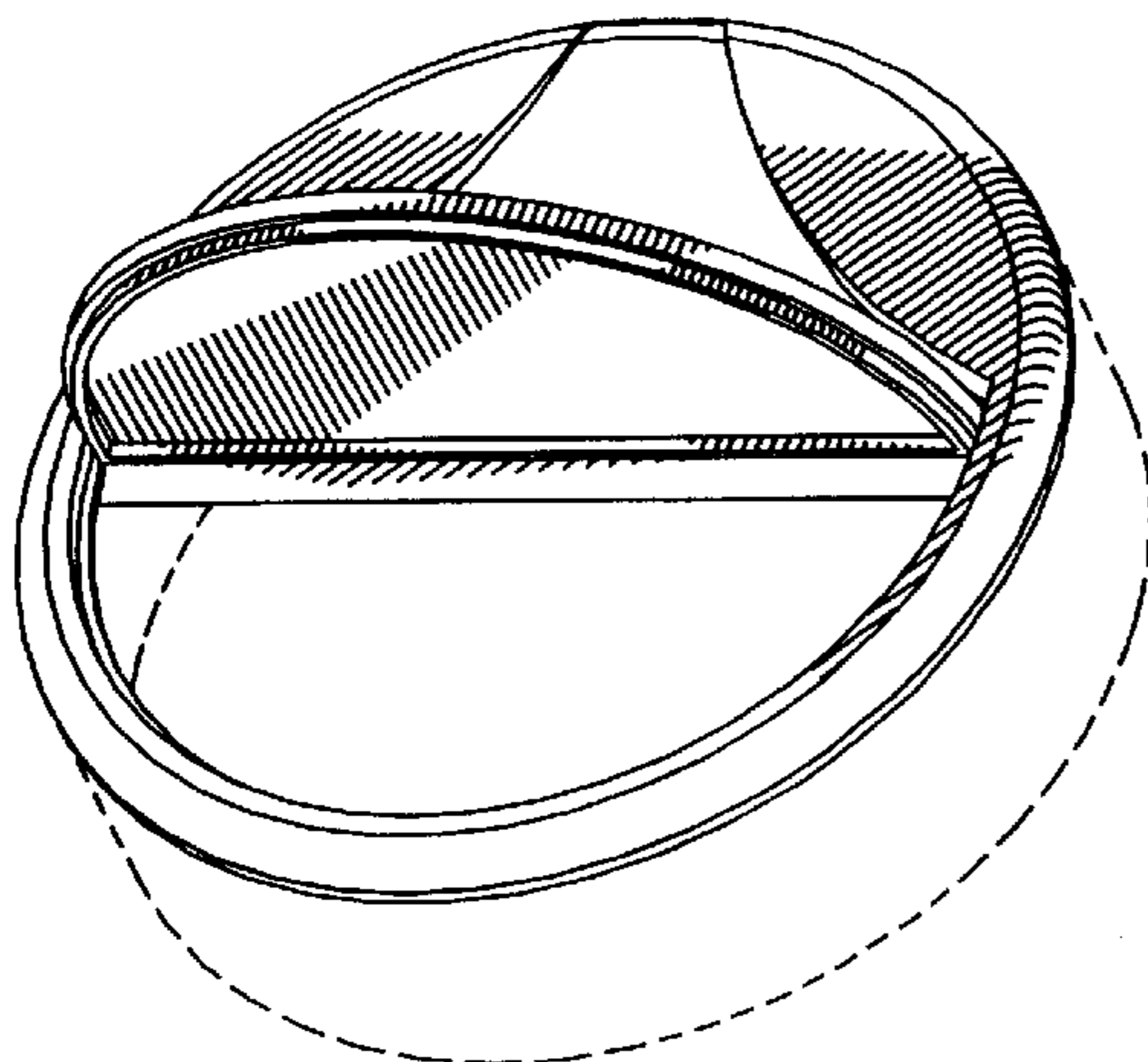
(57) **CLAIM**

I claim the ornamental design for the round lid for a container, as shown and described.

DESCRIPTION

FIG. 1 is a perspective view of the lid with the door in the closed position;
 FIG. 2 is a perspective view similar to FIG. 1, but with the door in a fully open position;
 FIG. 3 is a top view of the lid as shown in FIG. 1;
 FIG. 4 is a top view of the lid as shown in FIG. 2;
 FIG. 5 is a rear view of the lid as shown in FIG. 1;
 FIG. 6 is a front view of the lid as shown in FIG. 2;
 FIG. 7 is a side view of the lid as shown in FIG. 2, as seen from the left, and,
 FIG. 8 is a cross-sectional view of the lid as shown in FIG. 7.

1 Claim, 3 Drawing Sheets



US D448,296 S

Page 2

U.S. PATENT DOCUMENTS

4,504,009	3/1985	Boik et al.	229/5.5	5,285,917	2/1994	Hofmann	220/212.5
4,558,806	12/1985	Shabram, Sr. et al.	222/556	5,339,993	8/1994	Groya et al.	222/153
4,580,687	4/1986	Lewis	215/237	5,346,086	9/1994	Harris	220/254
4,736,858	4/1988	Shastal	215/236	5,395,015 *	3/1995	Bolen, Jr. et al.	222/556
4,776,501	10/1988	Ostrowsky	222/517	5,499,736	3/1996	Kohl	220/254
4,898,292	2/1990	Ver Weyst et al.	215/237	5,531,347	7/1996	Goulding	220/256
4,901,892	2/1990	Song	222/498	5,611,451	3/1997	Mosior et al.	220/346
4,911,337	3/1990	Rosenthal	222/498	5,706,981	1/1998	Nobakht	222/132
4,923,085	5/1990	Lillelund et al.	220/282	5,718,347	2/1998	Walker et al.	215/209
4,936,494	6/1990	Weidman	222/480	5,730,810	3/1998	Yoshihara	220/335
5,082,114	1/1992	Bunin	206/539	5,782,388	7/1998	De Nervo	222/546
5,163,559	11/1992	Bunin	206/532	5,799,838	9/1998	Miller	222/480
5,176,277	1/1993	Schuermann	220/253	5,927,535	7/1999	Goth	220/254
5,273,177	12/1993	Campbell	220/281	6,102,257	8/2000	Goyet	222/498

* cited by examiner

FIG. 2

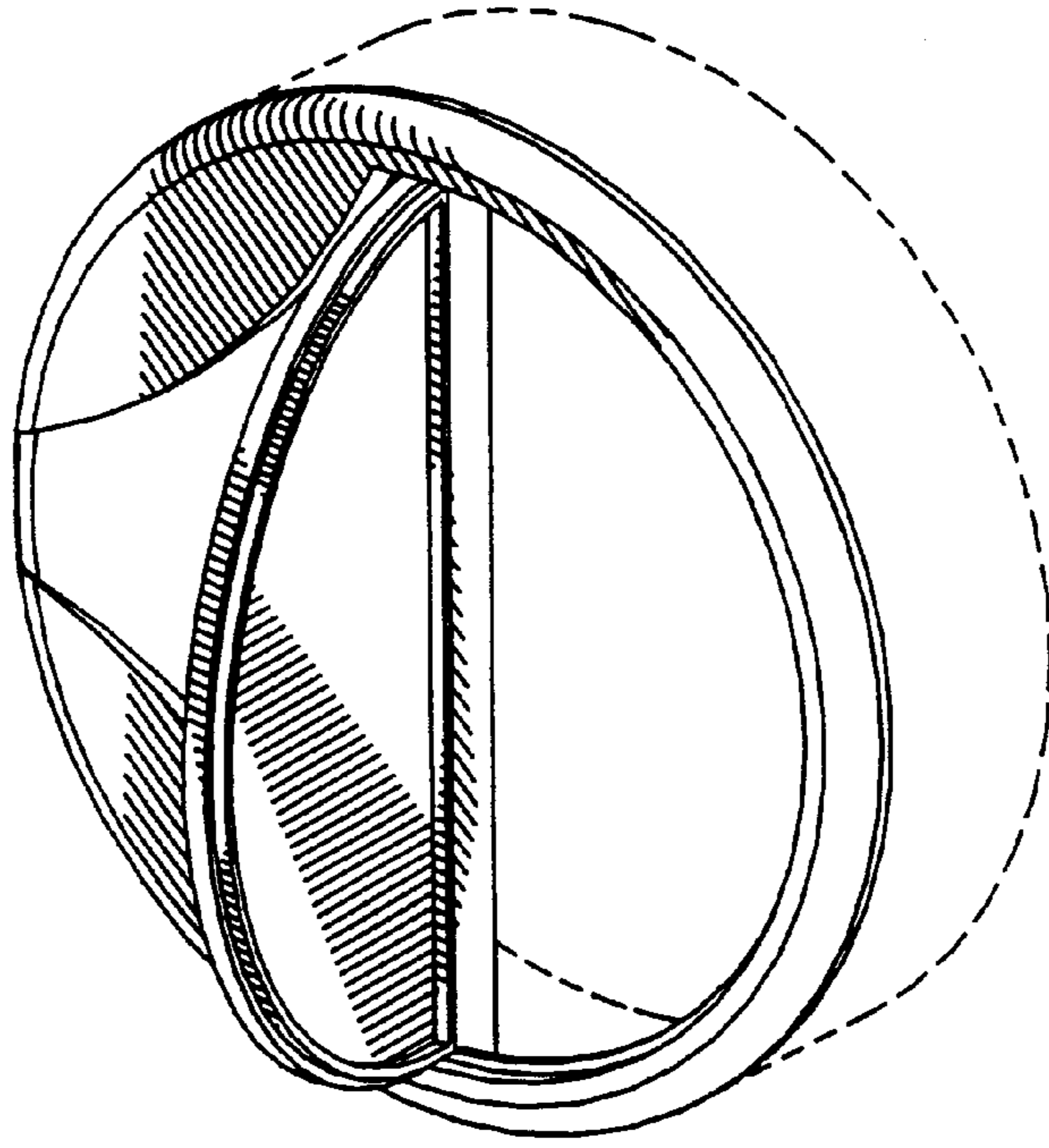


FIG. 1

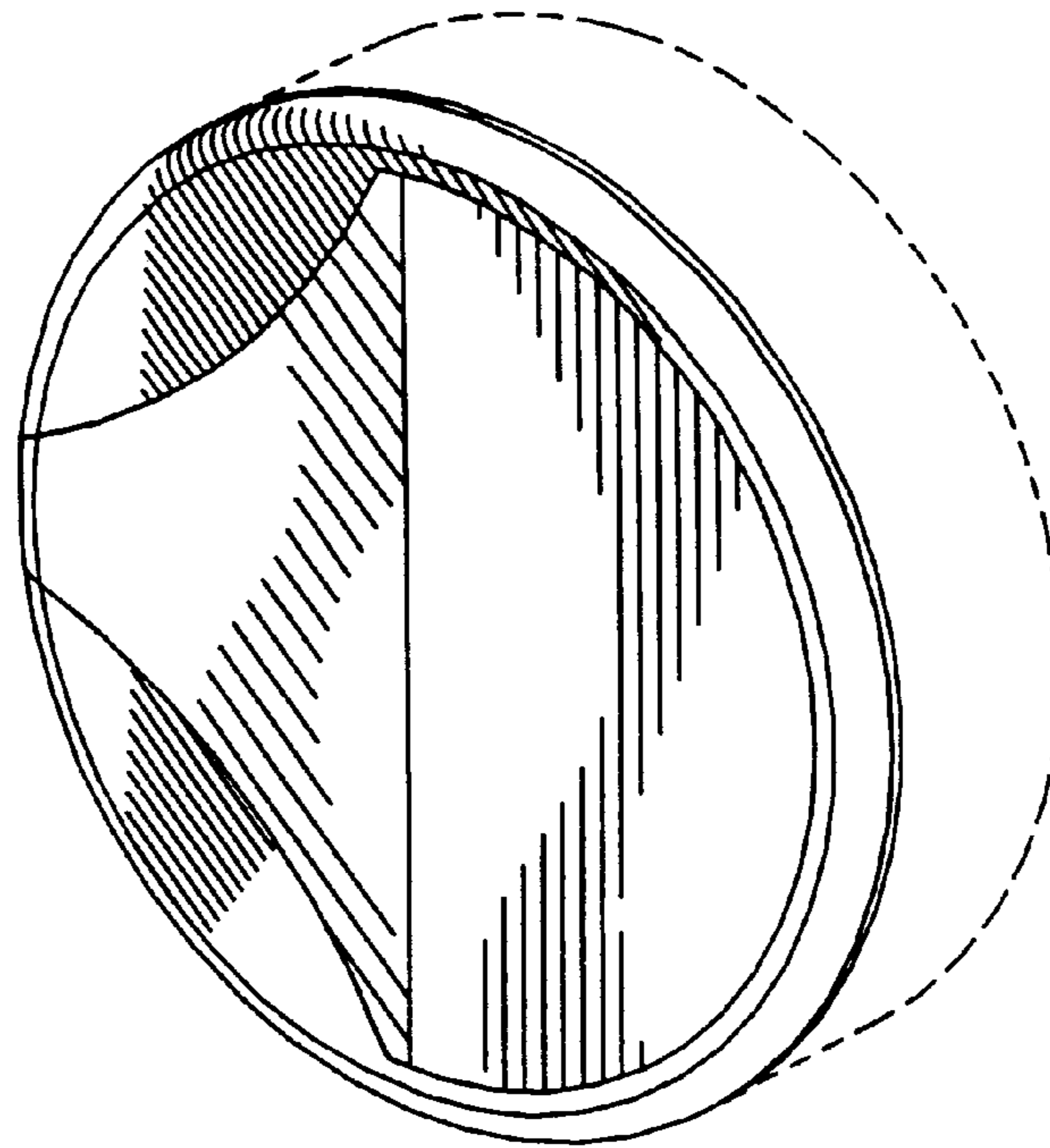


FIG. 4

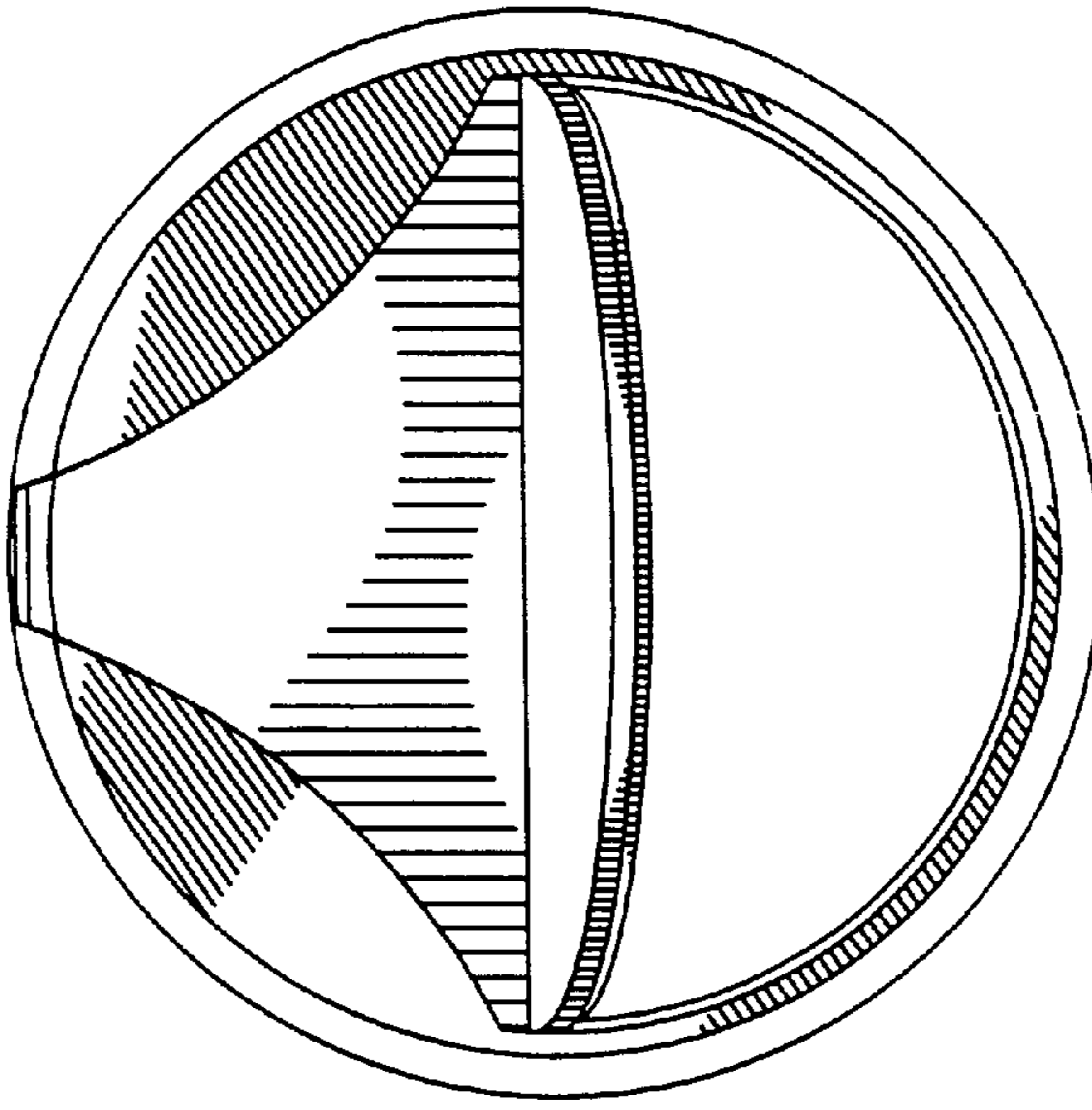


FIG. 3

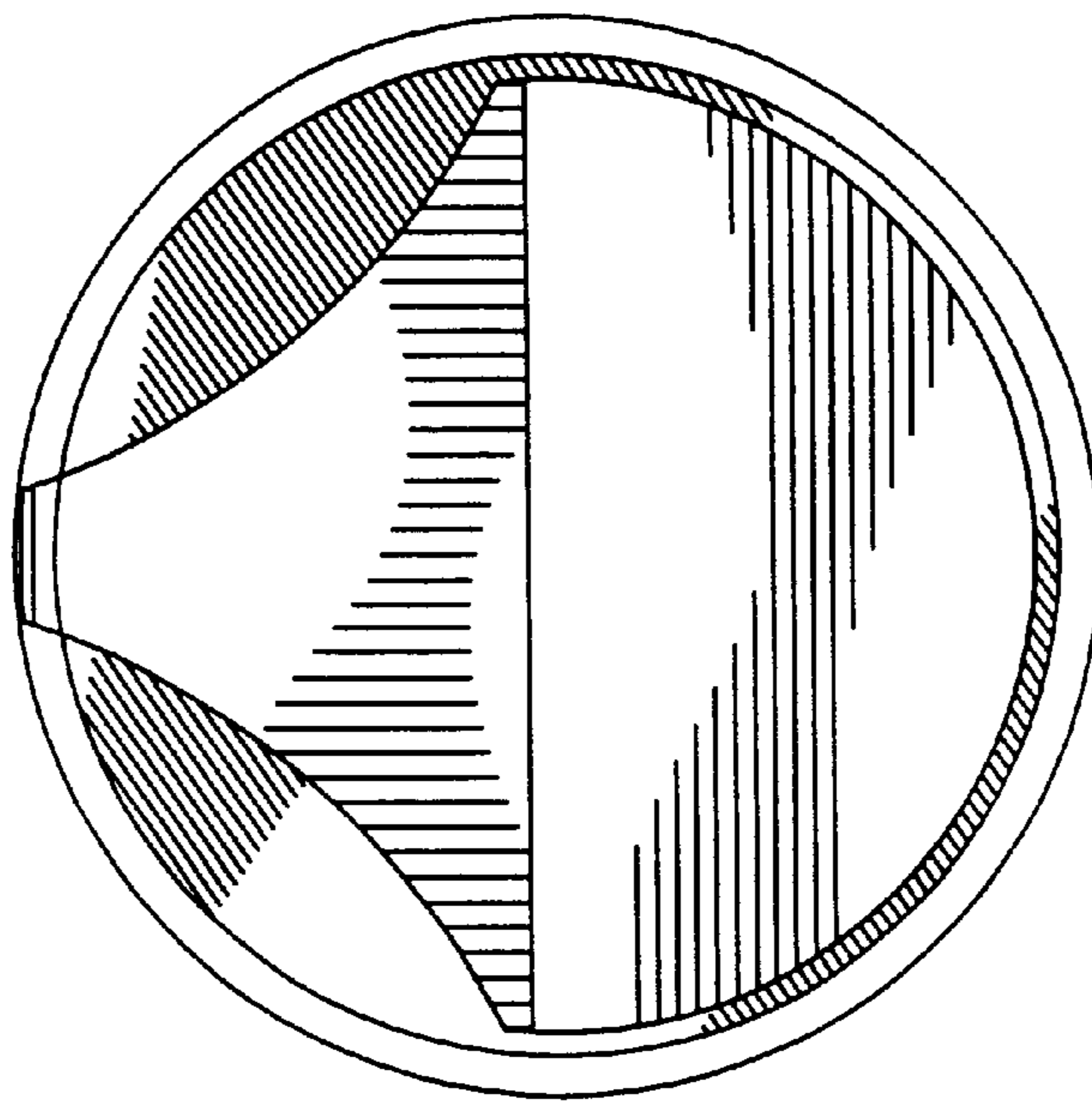


FIG. 5

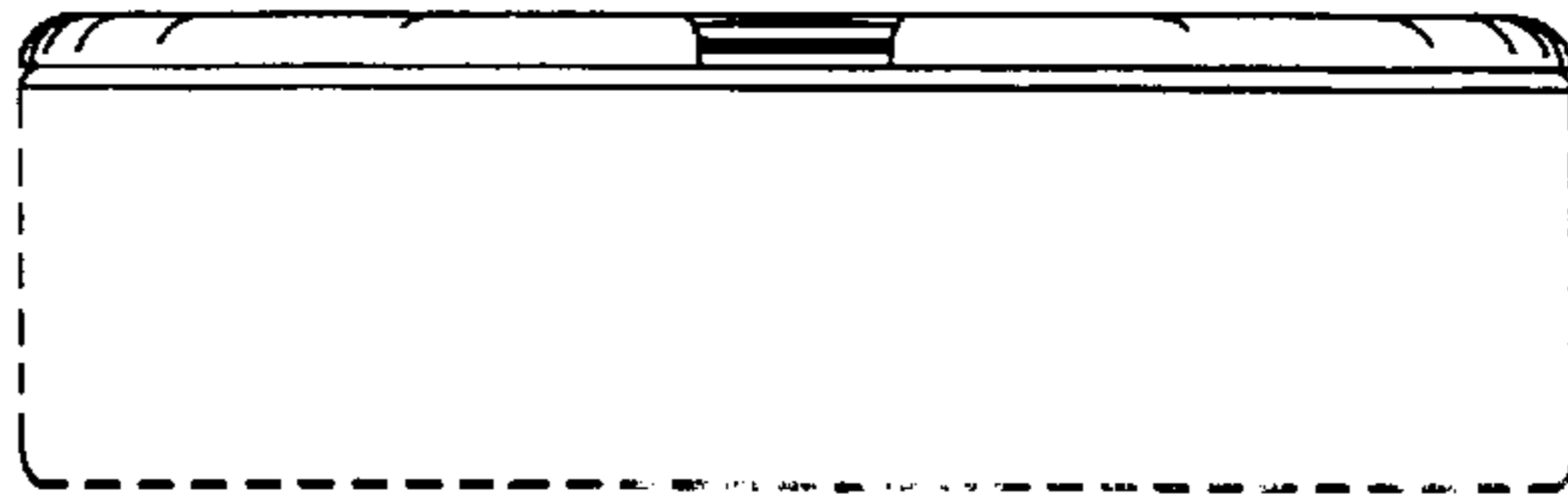


FIG. 6

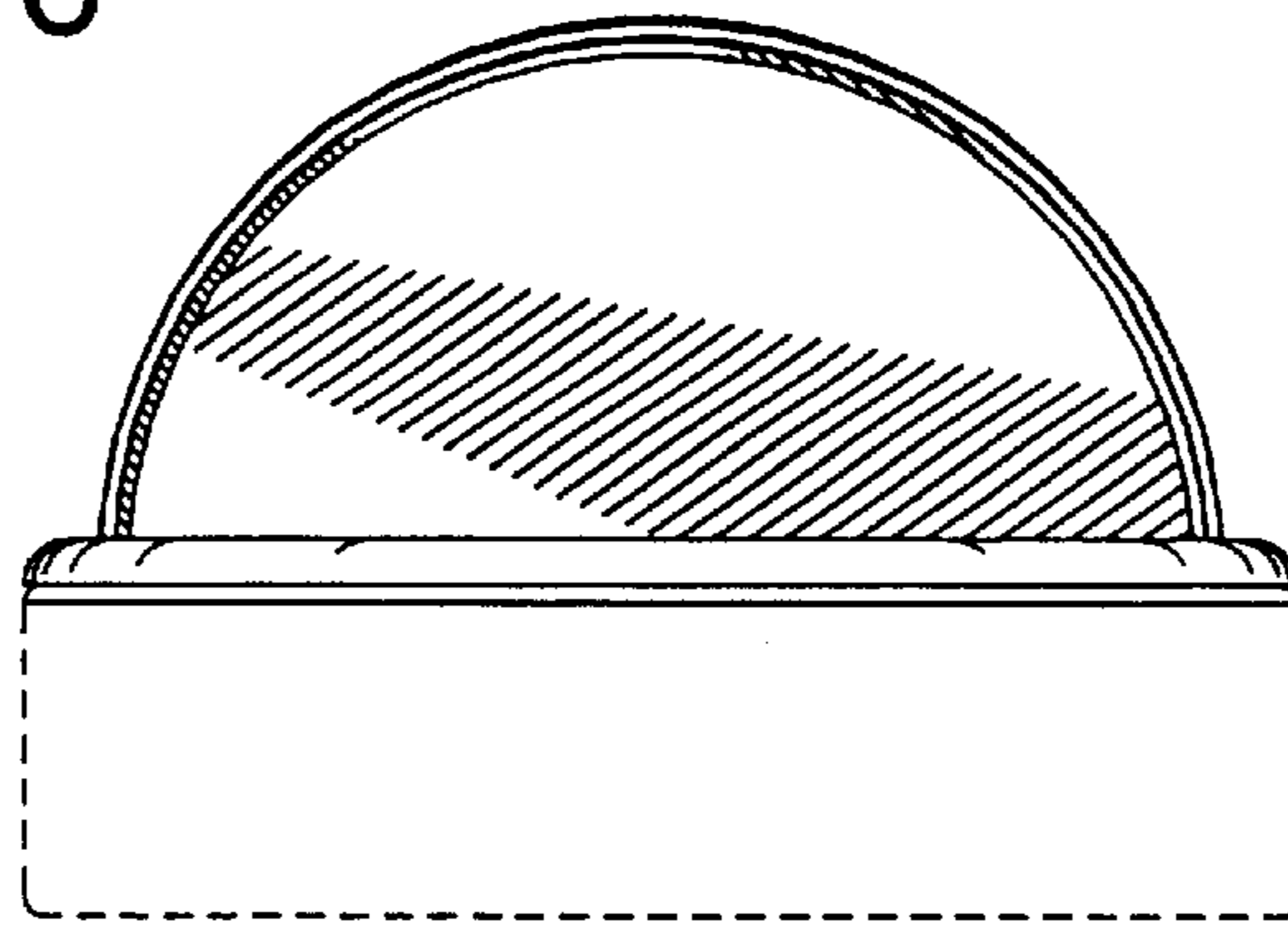


FIG. 7

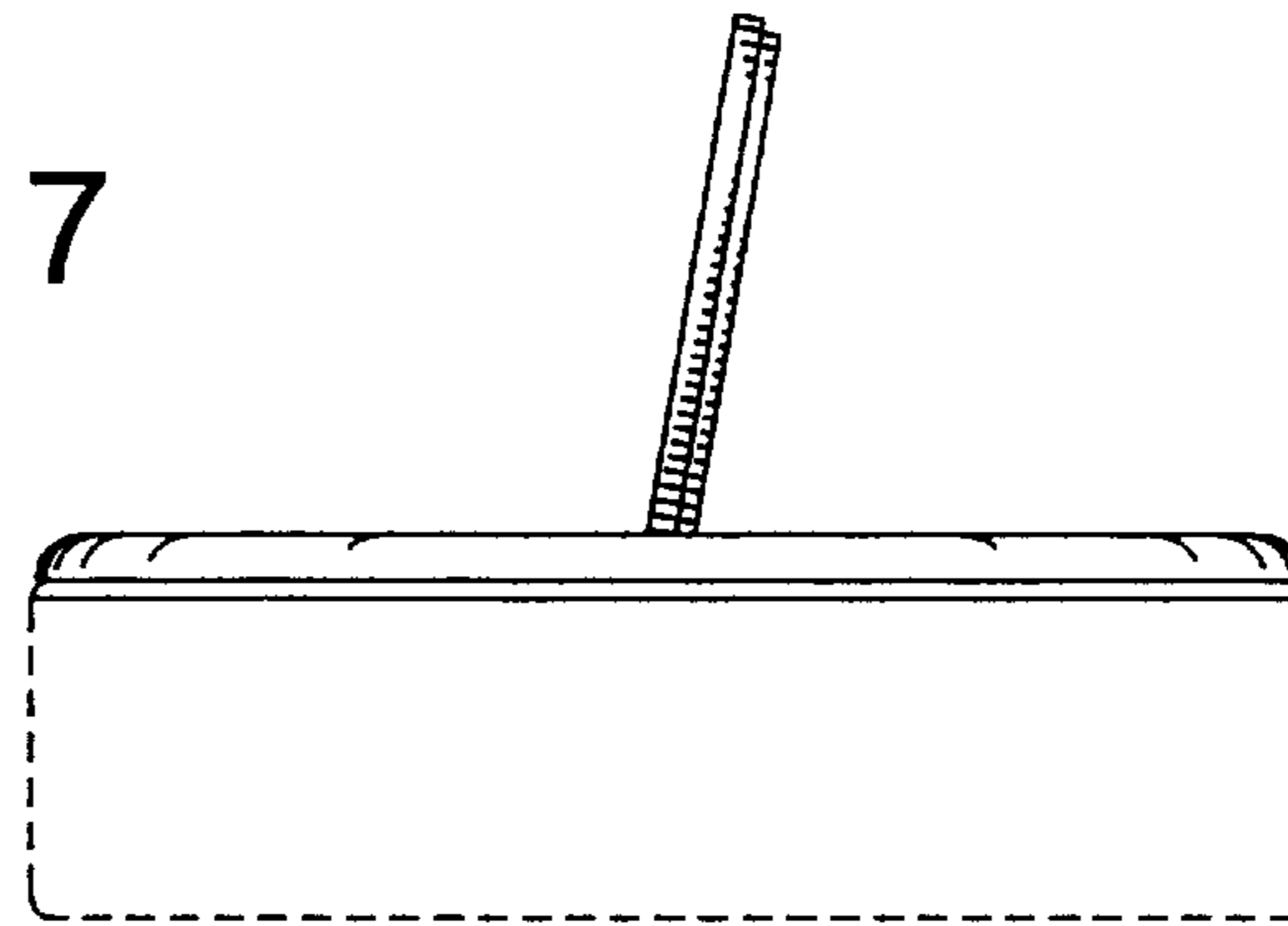


FIG. 8

