



US00D448291B1

(12) **United States Design Patent**
Melhede

(10) **Patent No.:** **US D448,291 S**

(45) **Date of Patent:** **** Sep. 25, 2001**

(54) **TEAR-OFF FLAP FOR A CONTAINER**

5,931,332 * 8/1999 Mygatt et al. 220/270

(75) Inventor: **Niels Melhede**, Cumberland, MD (US)

* cited by examiner

(73) Assignee: **SUPERFOS A/S**, Vedaek (DK)

Primary Examiner—Cathron C. Brooks

(**) Term: **14 Years**

(74) *Attorney, Agent, or Firm*—Dykema Gossett PLLC

(21) Appl. No.: **29/127,660**

(57) **CLAIM**

(22) Filed: **Aug. 11, 2000**

The ornamental design for a tear-off flap for a container, as shown and described.

(51) **LOC (7) Cl.** **09-07**

DESCRIPTION

(52) **U.S. Cl.** **D9/434; D9/438**

(58) **Field of Search** D9/434, 443, 452, D9/453, 454, 438; D7/601, 602, 387, 391, 392.1, 538, 542, 629; 215/250, 253; 220/265, 266, 269, 270, 780-795, 309.1, 309.2

FIG. 1 is a front perspective view of a tear-off flap for a container. The broken lines which define the bounds of the claimed design form no part thereof, and the dash dot lines representing portions of a container are for illustrative purposes only and form no part of the claimed design, FIG. 2 is a perspective view thereof, FIG. 3 is an enlarged perspective view thereof, FIG. 4 is an enlarged front view thereof, FIG. 5 is an enlarged perspective view, seen from below, FIG. 6 is a top plan view thereof; and, FIG. 7 is an enlarged cross section thereof as seen along line 7-7 of FIG. 1.

(56) **References Cited**

U.S. PATENT DOCUMENTS

- 4,721,210 * 1/1988 Lawrence et al. 220/266 X
- 4,881,656 * 11/1989 Chumley et al. 220/270
- 4,966,294 * 10/1990 Mack et al. 220/266
- 5,147,054 * 9/1992 Pehr 215/253
- 5,518,133 * 5/1996 Hayes et al. 220/270 X

1 Claim, 3 Drawing Sheets

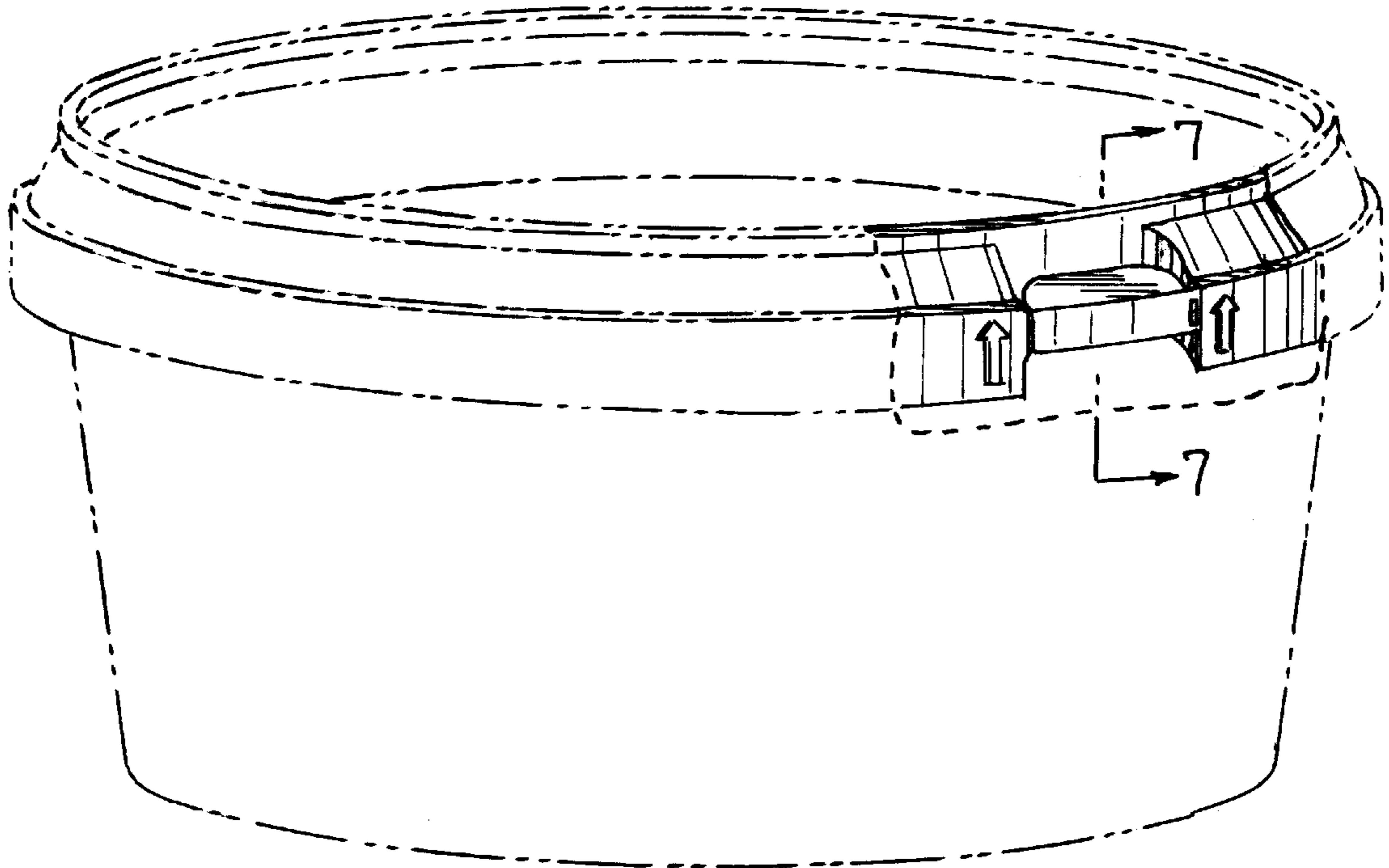


FIG. 1

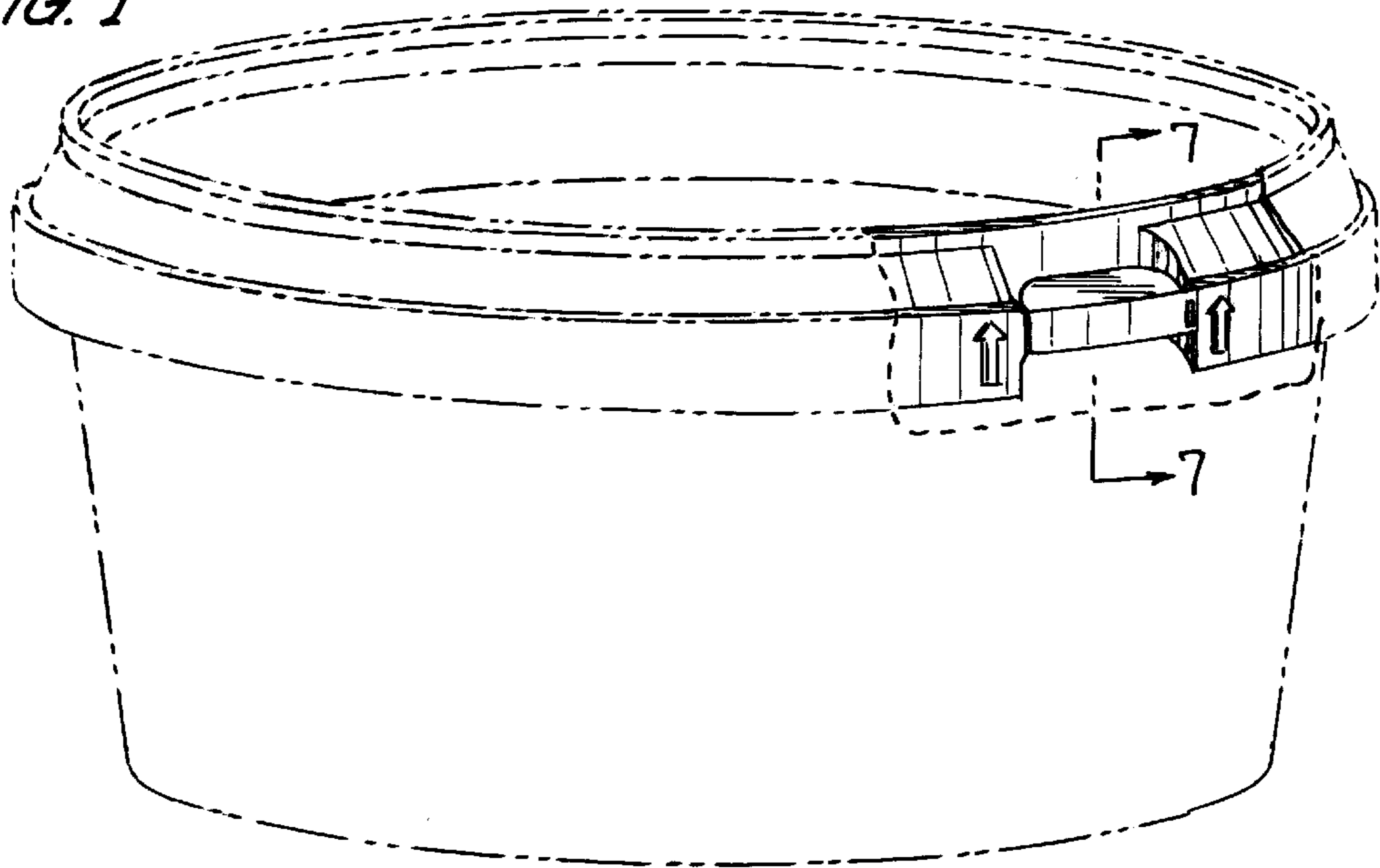


FIG. 2

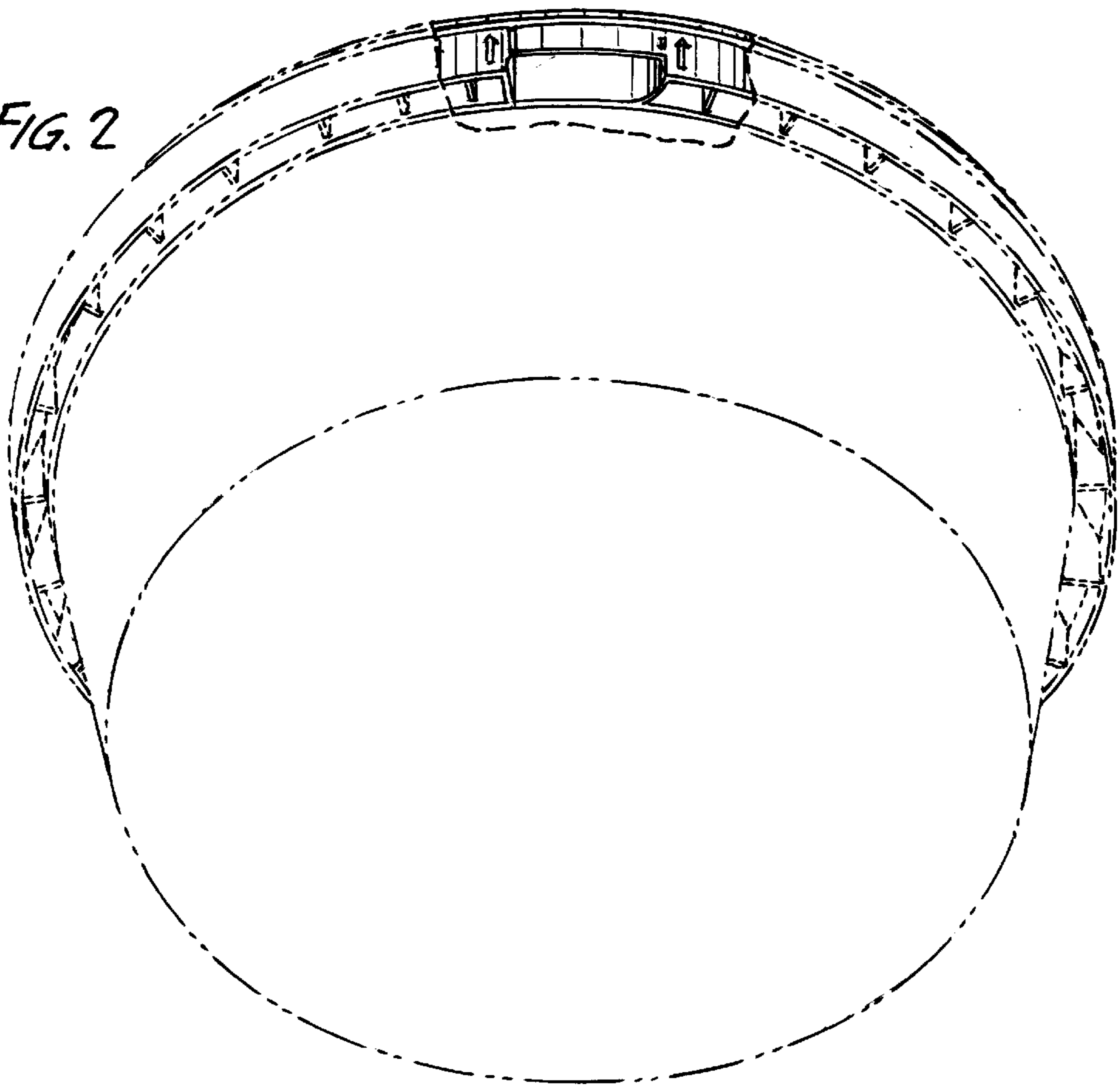


FIG. 3

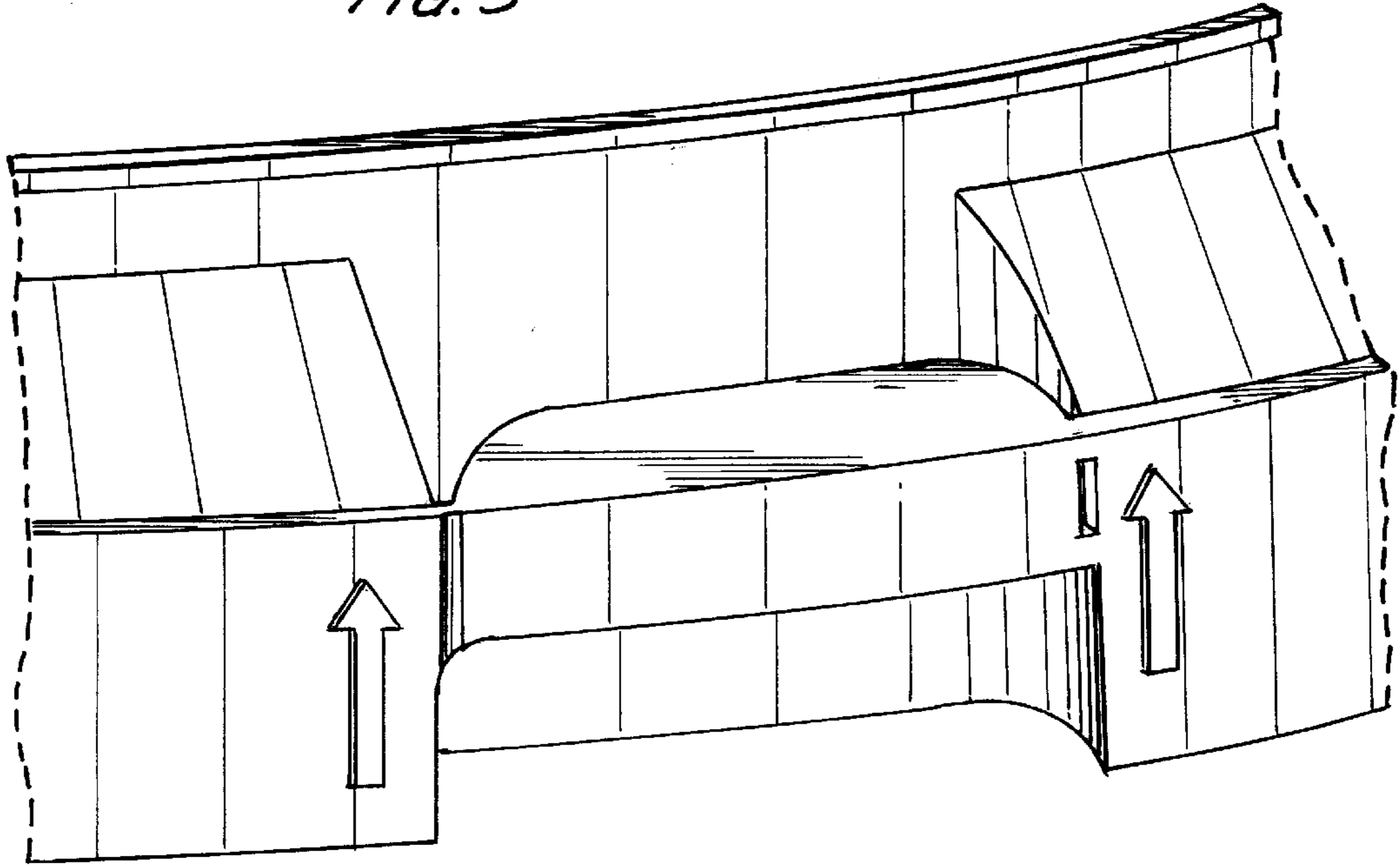


FIG. 4

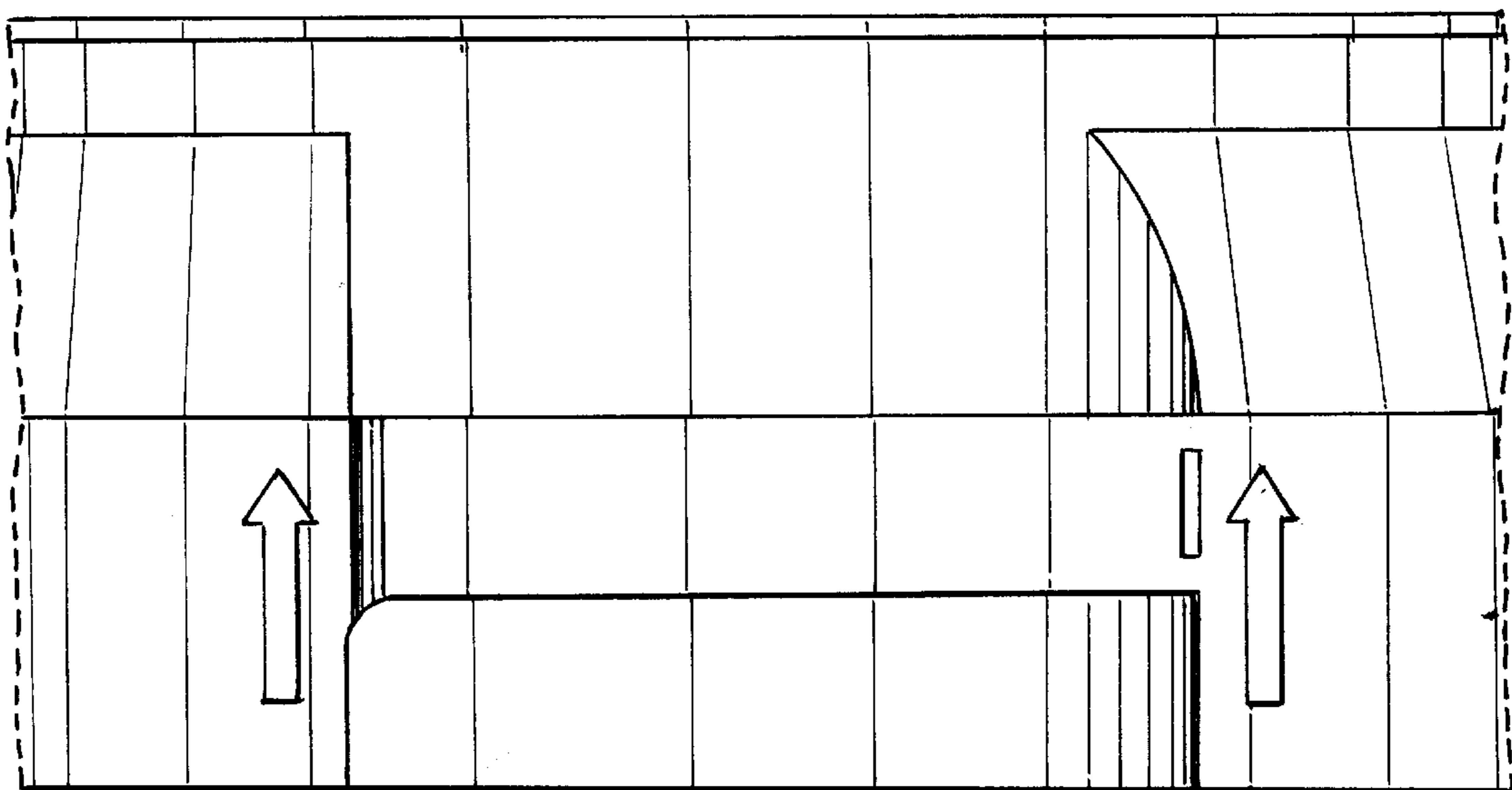


FIG. 5

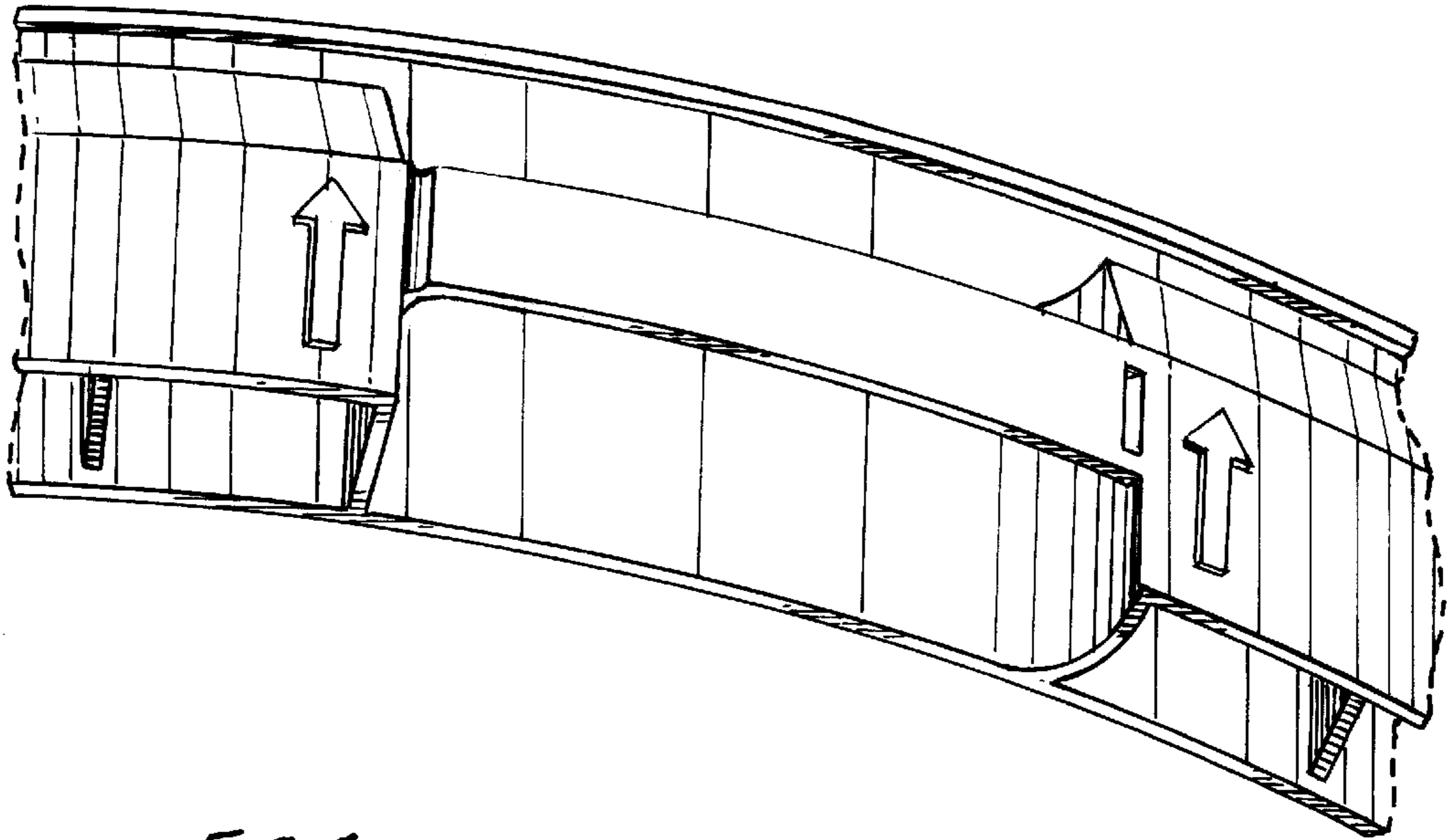


FIG. 6

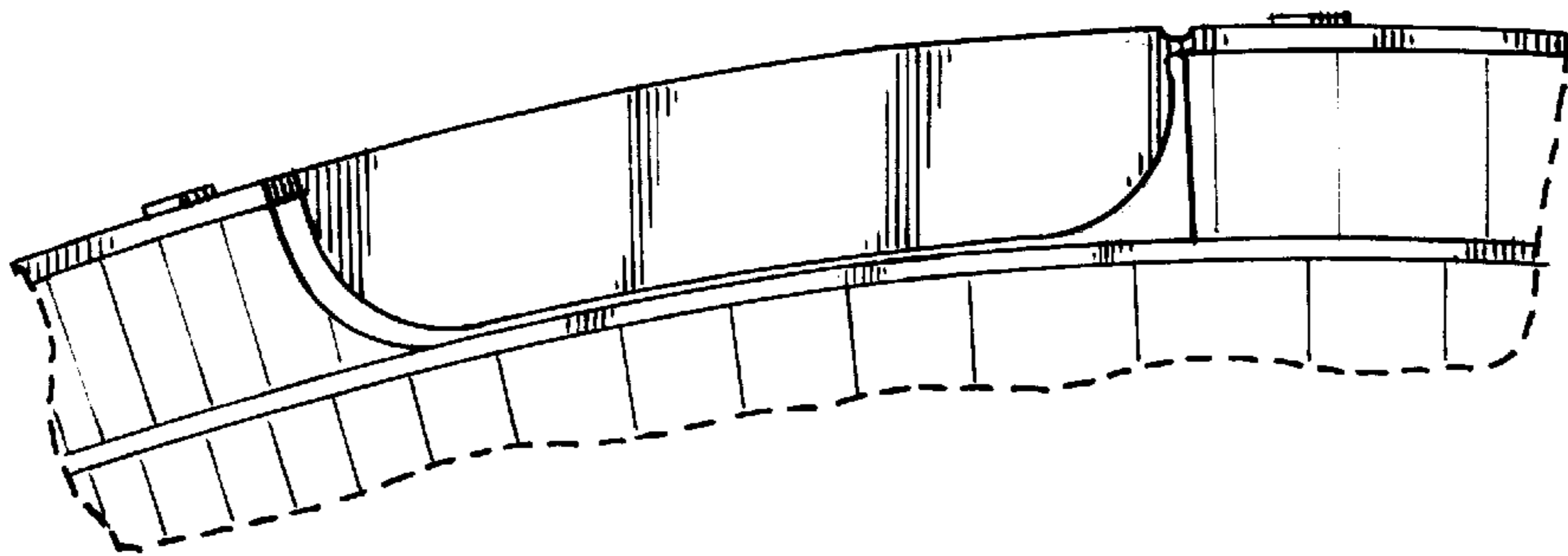


FIG. 7

