



US00D448287B1

(12) **United States Design Patent**  
**Justice**

(10) **Patent No.: US D448,287 S**

(45) **Date of Patent: \*\* Sep. 25, 2001**

(54) **CONTAINER**

(76) **Inventor: Charles E. Justice**, 13935 Kornblum Ave., #3, Hawthorne, CA (US) 90250

(\*\*) **Term: 14 Years**

5,167,336	*	12/1992	Lajovic	.....	220/23.6
5,381,839		1/1995	Dowd	.	
5,507,389	*	4/1996	Syrek	.....	220/4.27
5,782,358		7/1998	Walker	.	
5,887,740	*	3/1999	Hong	.....	220/4.27
6,047,827	*	4/2000	Huang	.....	220/4.27

(21) **Appl. No.: 29/130,893**

(22) **Filed: Oct. 11, 2000**

(51) **LOC (7) Cl. .... 09-03**

(52) **U.S. Cl. .... D9/424**

(58) **Field of Search** ..... D9/414, 424, 432, D9/337, 434, 554, 565, 566, 520; D3/201, 304; 206/509, 503, 508, 821; 220/4.26, 4.27, 4.01, 23.2, 23.4, 23.6, 23.8

(56) **References Cited**

**U.S. PATENT DOCUMENTS**

D. 163,454	*	5/1951	Fuerst	.....	D9/566
D. 252,910	*	9/1979	Bayly	.....	D9/424
D. 274,699	*	7/1984	Epperson	.....	D9/520
D. 333,978		3/1993	Zutler	.	
2,641,374	*	6/1953	Yuen	.....	206/509
3,369,658		2/1968	Hasselmann	.	
3,374,917	*	3/1968	Troy	.....	220/23.4
3,391,824		7/1968	Wiseman	.	
4,656,840		4/1987	Loofbourrow et al.	.	
4,708,253		11/1987	Mednis	.	

**FOREIGN PATENT DOCUMENTS**

0 494 841 A1 1/1992 (DE) .

\* cited by examiner

*Primary Examiner*—Prabhakar Deshmukh

(74) *Attorney, Agent, or Firm*—Eric Karich

(57) **CLAIM**

The ornamental design for a “container”, as shown and described.

**DESCRIPTION**

FIG. 1 is a perspective view of a container, showing my new design;

FIG. 2 is a front elevational view thereof;

FIG. 3 is a rear elevational view thereof;

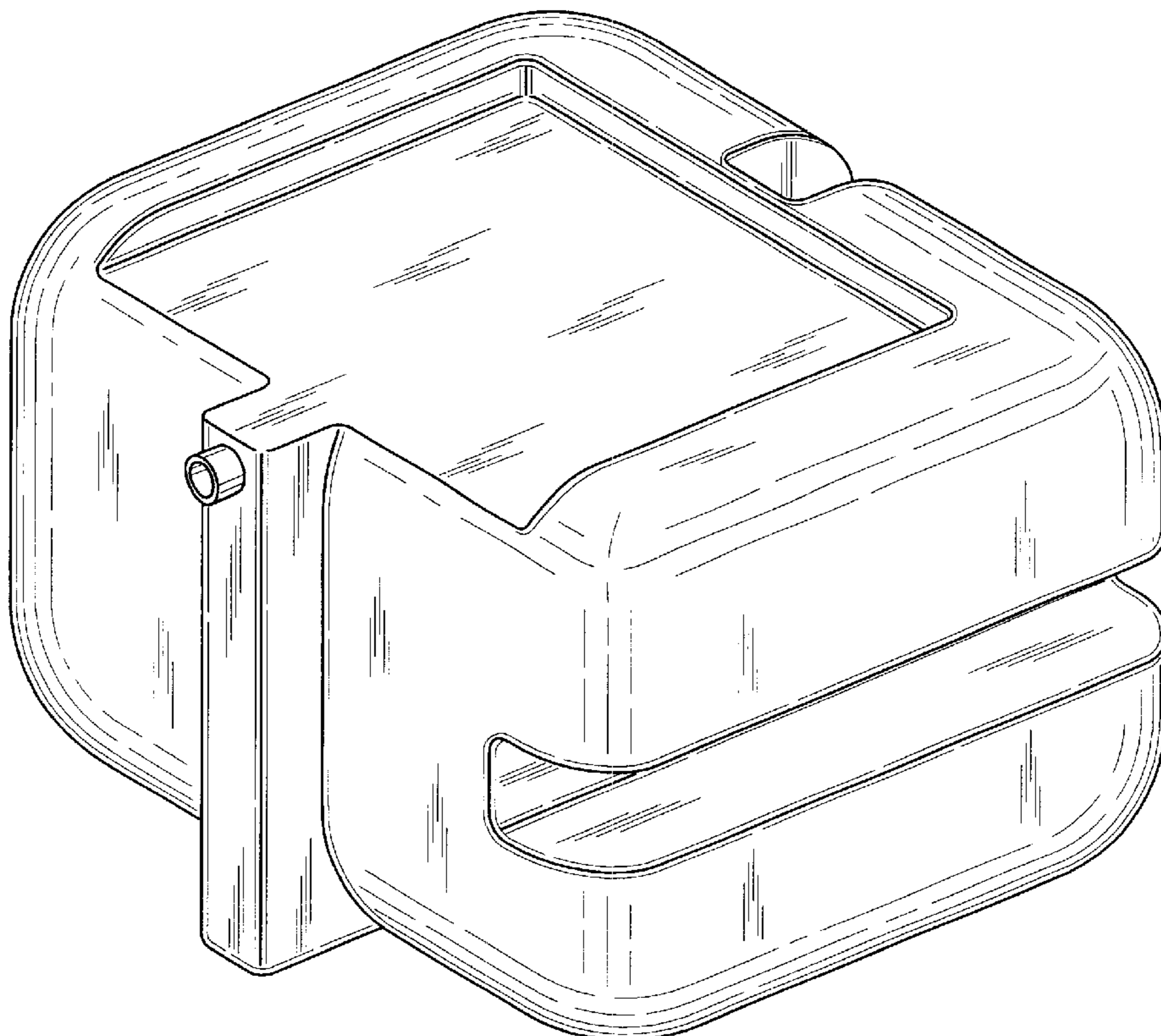
FIG. 4 is a right side elevational view thereof;

FIG. 5 is a left side elevation view thereof;

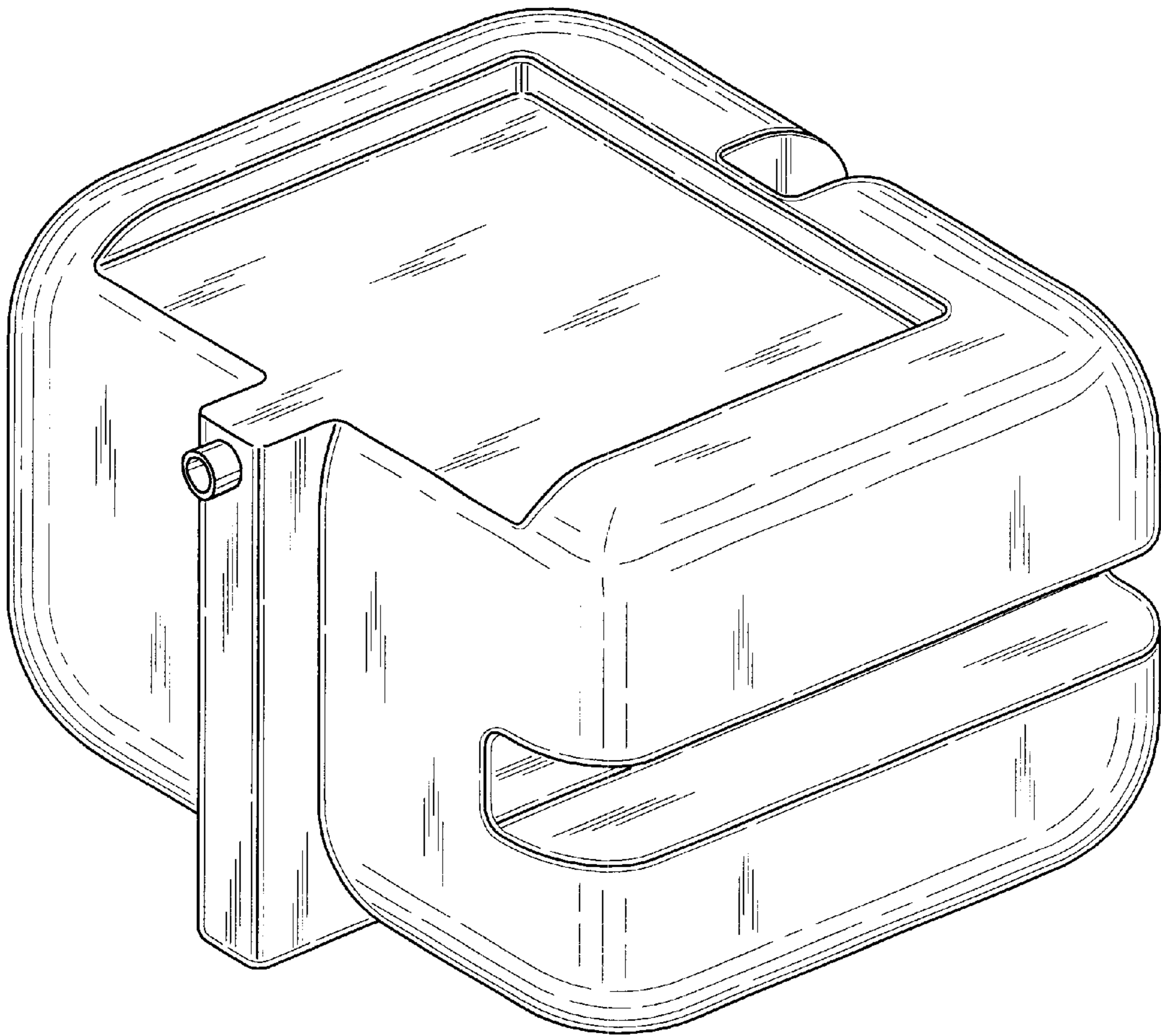
FIG. 6 is a top plan view thereof; and,

FIG. 7 is a bottom plan view thereof.

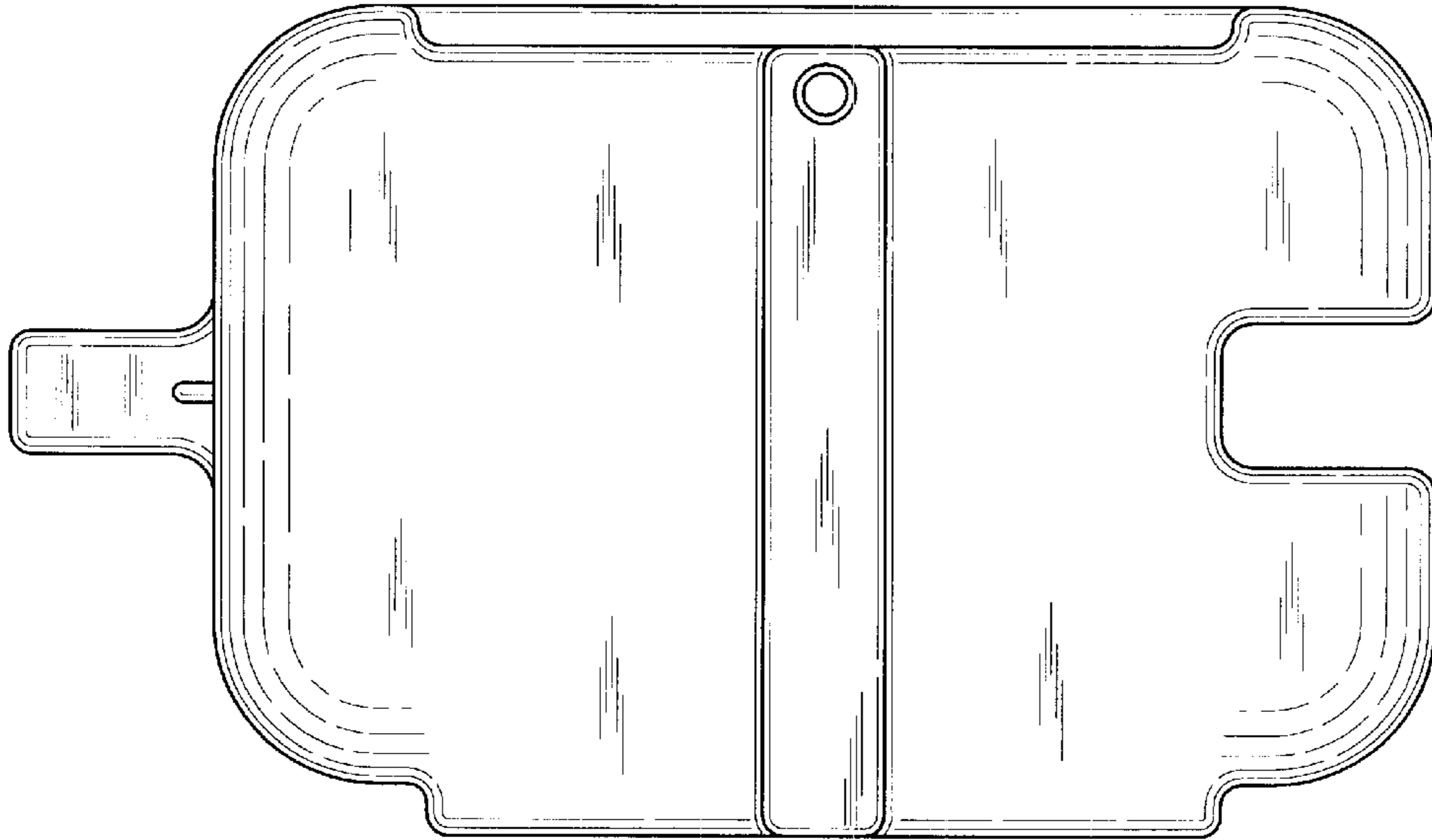
**1 Claim, 4 Drawing Sheets**



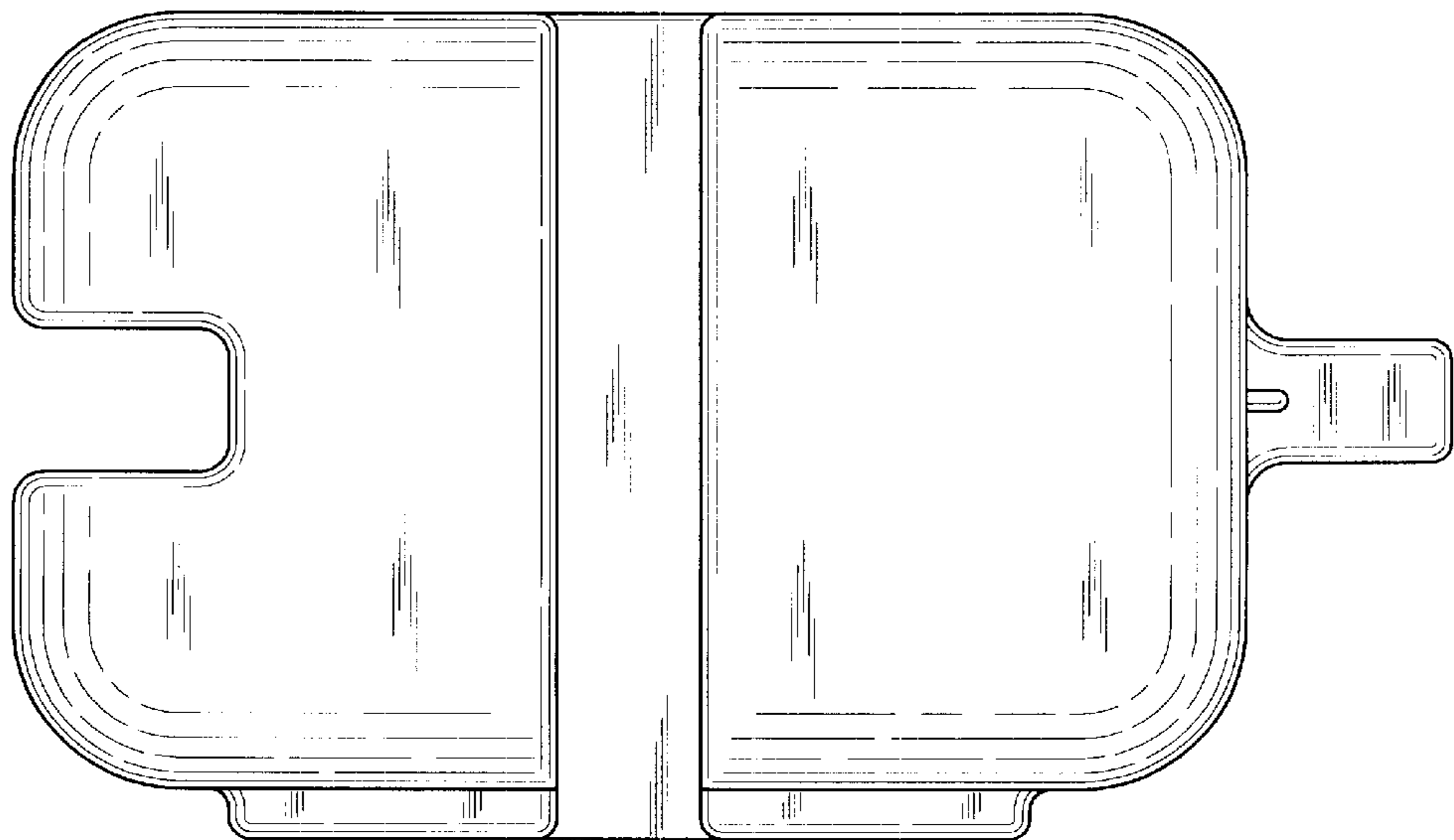
*Fig-1*



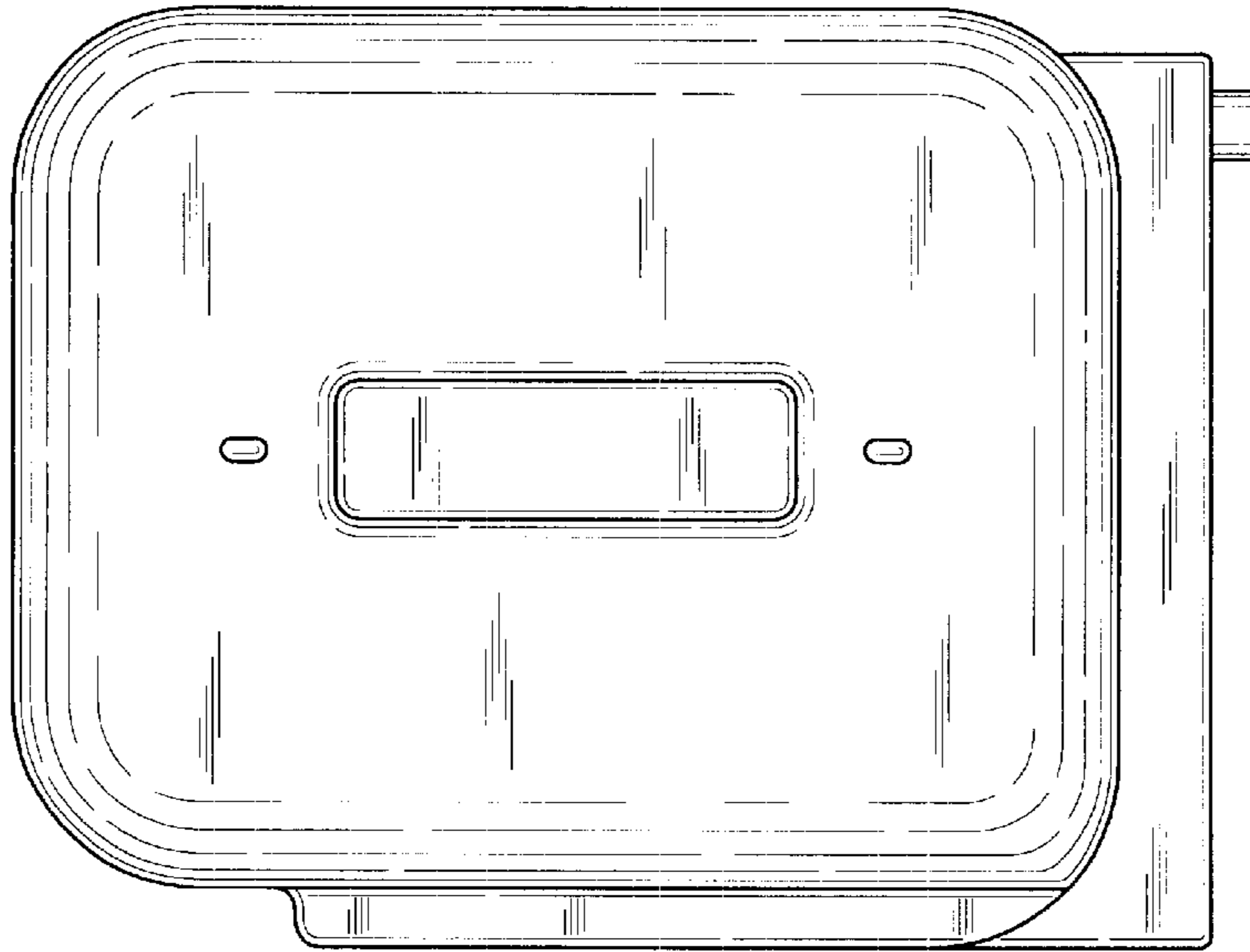
*Fig-2*



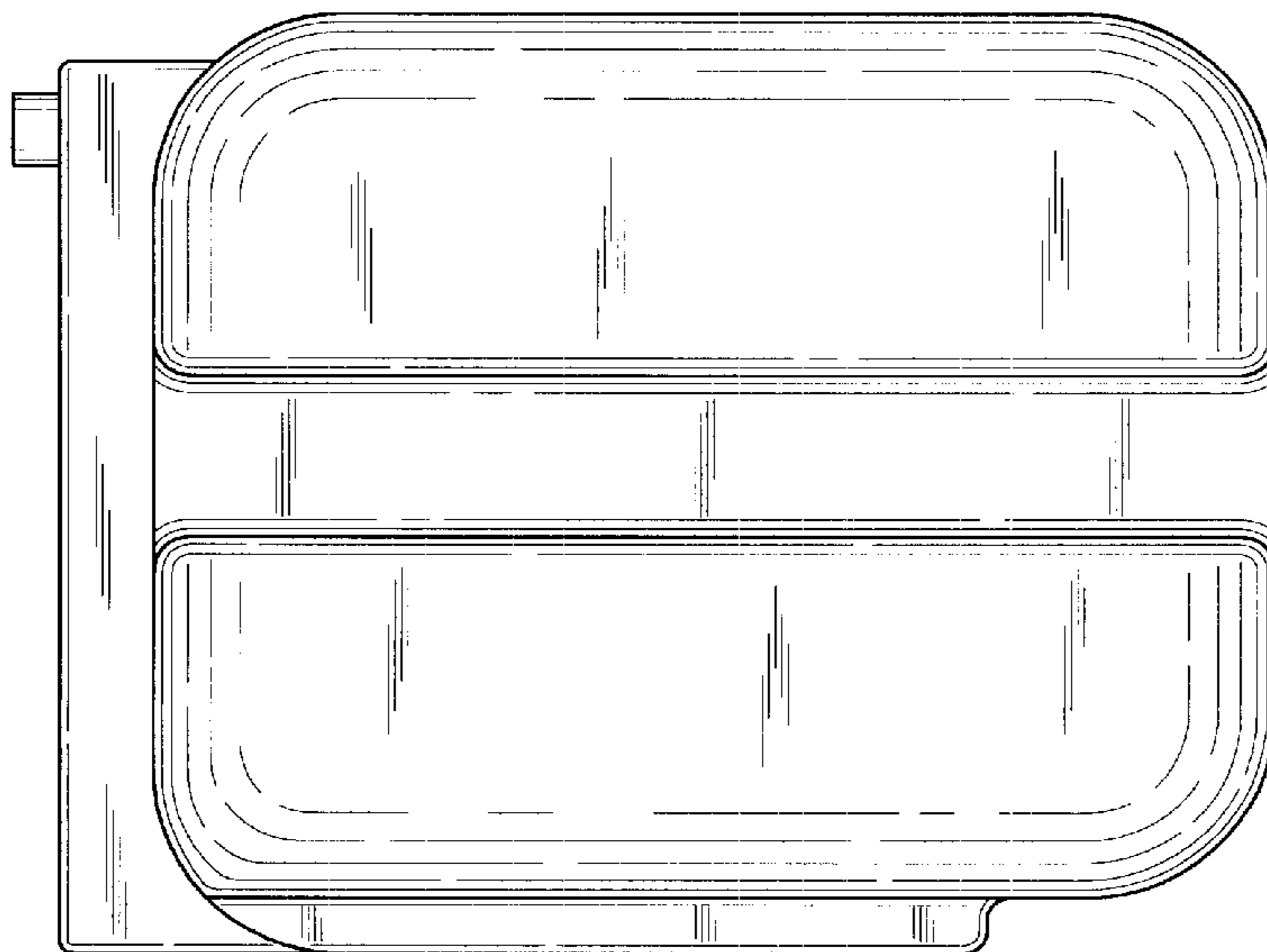
*Fig-3*



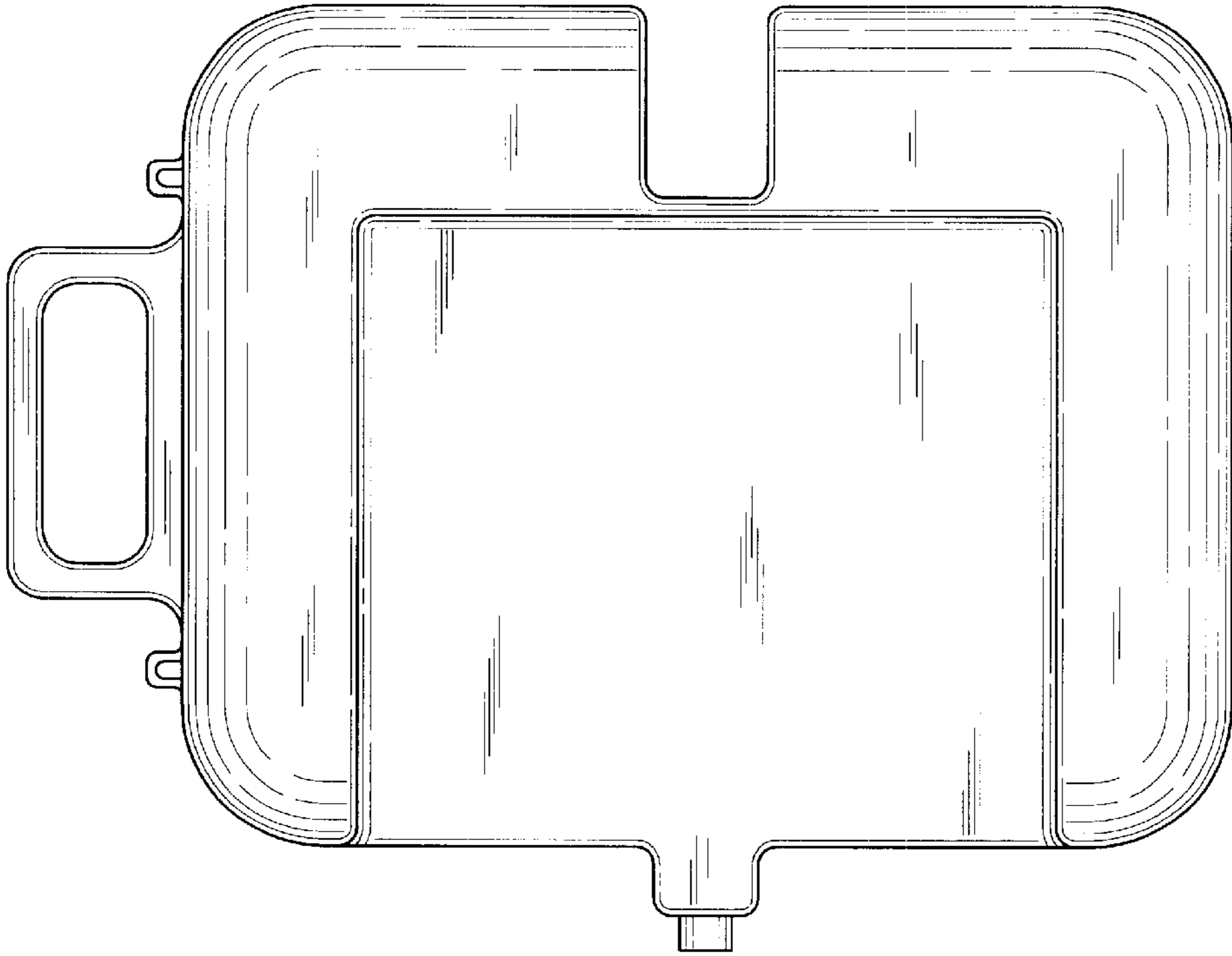
*Fig-4*



*Fig-5*



*Fig-6*



*Fig-7*

