



US00D448280B1

(12) **United States Design Patent**
Bourgerie

(10) **Patent No.:** **US D448,280 S**

(45) **Date of Patent:** **** Sep. 25, 2001**

(54) **QUICK ENGAGE/RELEASE CLAMP DEVICE**

(76) Inventor: **Donald E. Bourgerie**, 1579 Mistletoe
La., Redding, CA (US) 96002-0422

(**) Term: **14 Years**

(21) Appl. No.: **29/134,198**

(22) Filed: **Dec. 14, 2000**

(51) **LOC (7) Cl.** **08-08**

(52) **U.S. Cl.** **D8/394; D8/382**

(58) **Field of Search** D8/394, 396; 24/517,
24/518, 521, 16 R; 72/317; 132/133; 174/135;
248/55, 74.1; 285/337, 420

(56) **References Cited**

U.S. PATENT DOCUMENTS

115,715	*	6/1871	Davol, Jr. .	
D. 204,884	*	5/1966	Waddington	D26/9
828,785	*	8/1906	Thompson .	
2,417,269	*	3/1947	Morehouse	174/135
2,719,345	*	10/1955	Riker	24/277
3,228,714	*	1/1966	Dricken	285/236
3,330,354	*	7/1967	Chamblee	166/46
3,503,244	*	3/1970	Joslin	72/317
3,968,323	*	7/1976	Blanchet	174/135

4,403,378	*	9/1983	Engman	24/277
5,018,768	*	5/1991	Palatchy	285/24
5,205,022	*	4/1993	Norton	24/277
5,323,517	*	6/1994	Su	24/517

* cited by examiner

Primary Examiner—Ted Shooman

Assistant Examiner—Daniel Bui

(74) *Attorney, Agent, or Firm*—John J. Leavitt

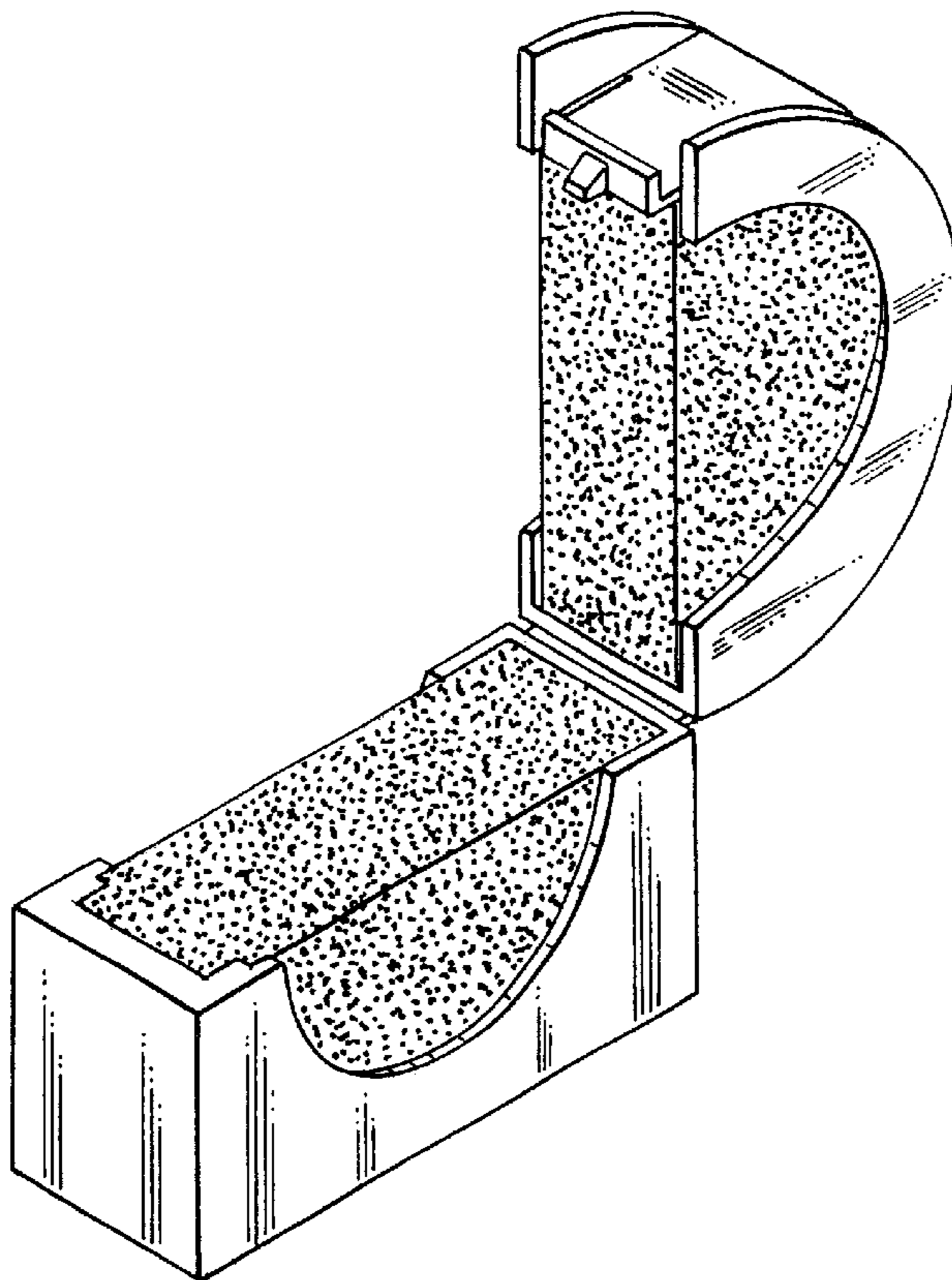
(57) **CLAIM**

The ornamental design for a quick engage/release clamp device, as illustrated and described.

DESCRIPTION

FIG. 1 is a perspective view illustrating the quick engage/release clamp device in engaged condition;
 FIG. 2 is a front elevational view thereof;
 FIG. 3 is a left side elevational view thereof;
 FIG. 4 is a right side elevational view thereof;
 FIG. 5 is a rear elevational view thereof;
 FIG. 6 is a top plan view thereof;
 FIG. 7 is a bottom plan view thereof; and,
 FIG. 8 is a perspective view thereof showing the clamp device in released and open condition.

1 Claim, 2 Drawing Sheets



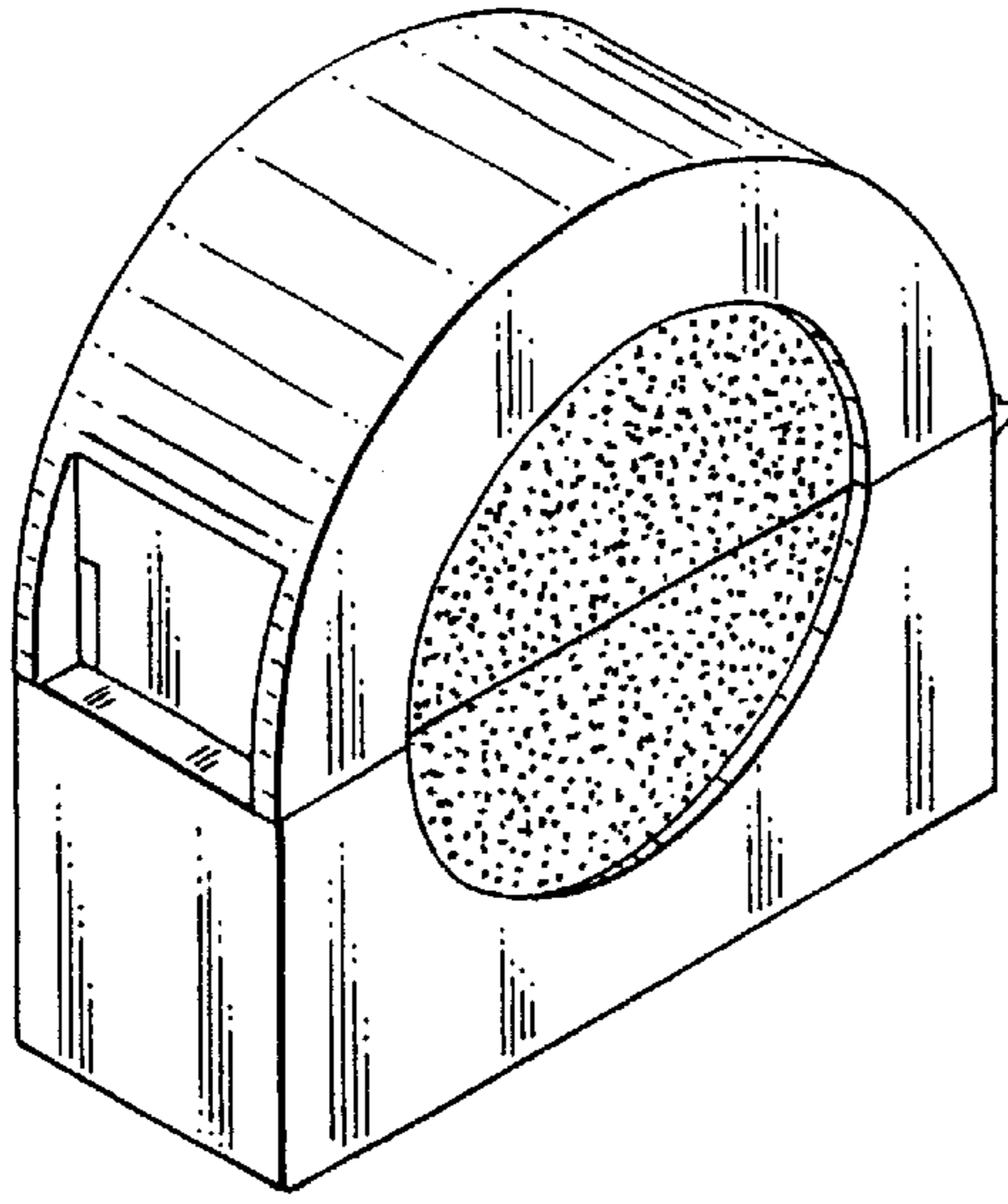


FIG. 1

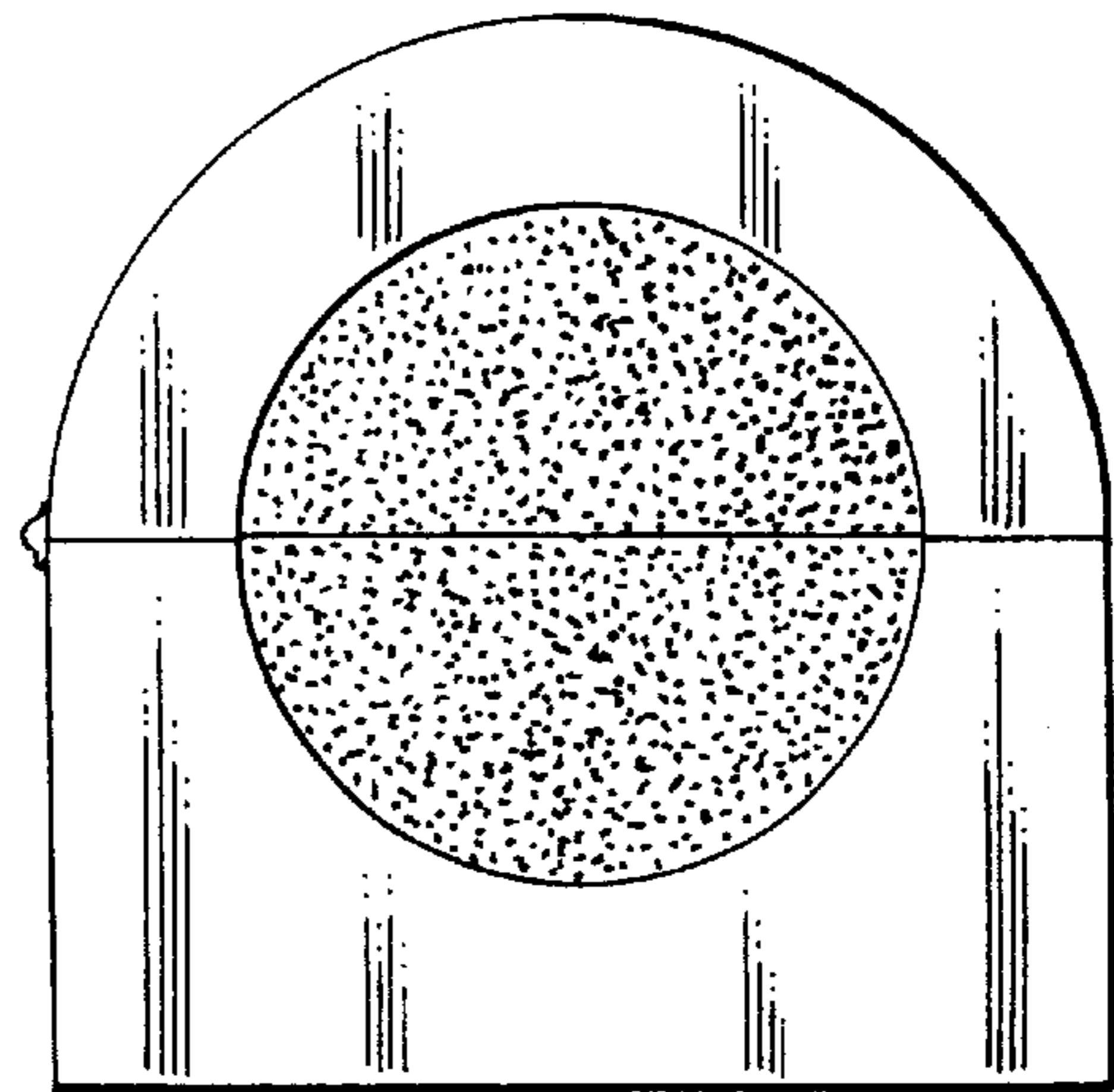


FIG. 5

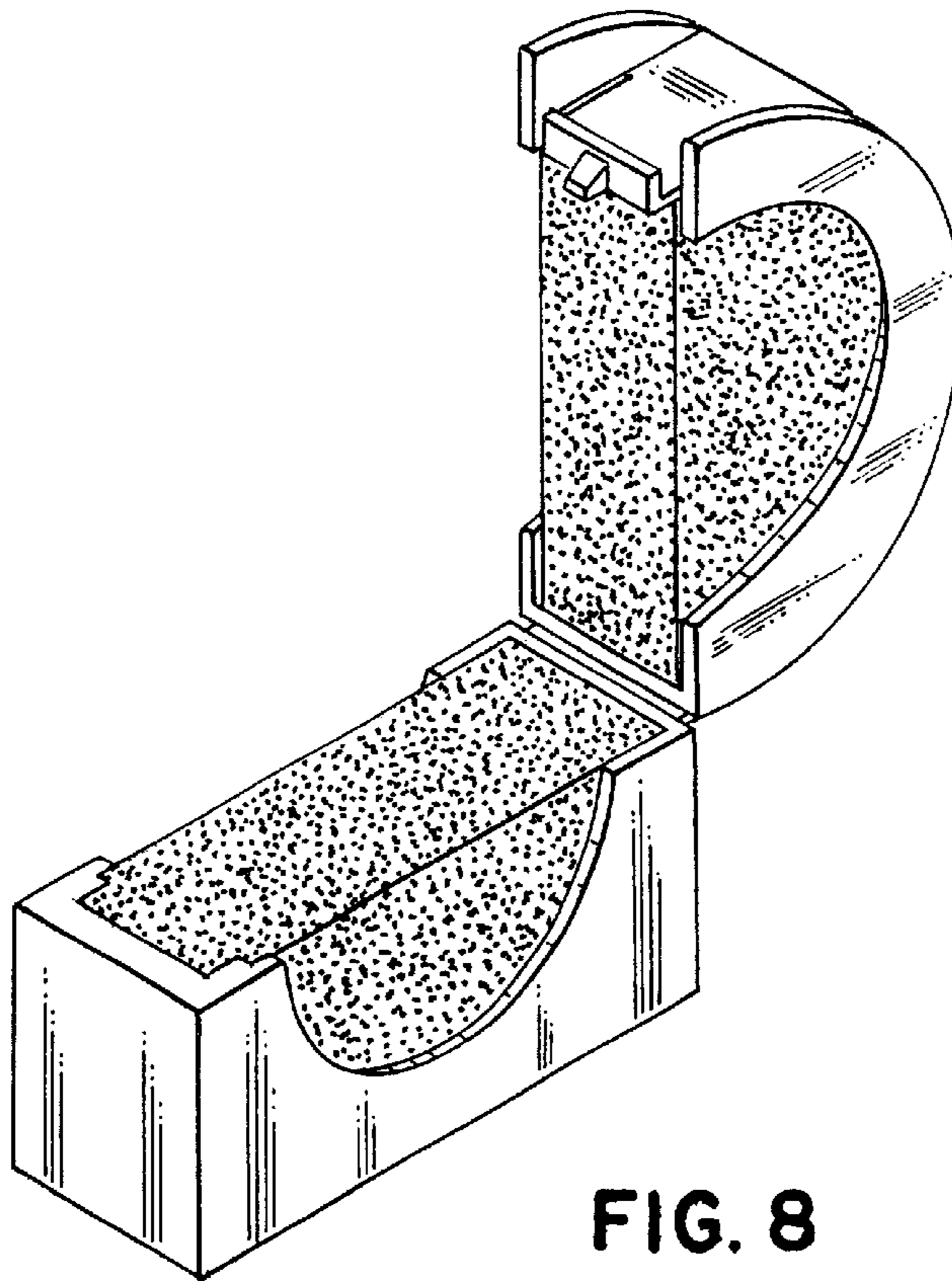


FIG. 8

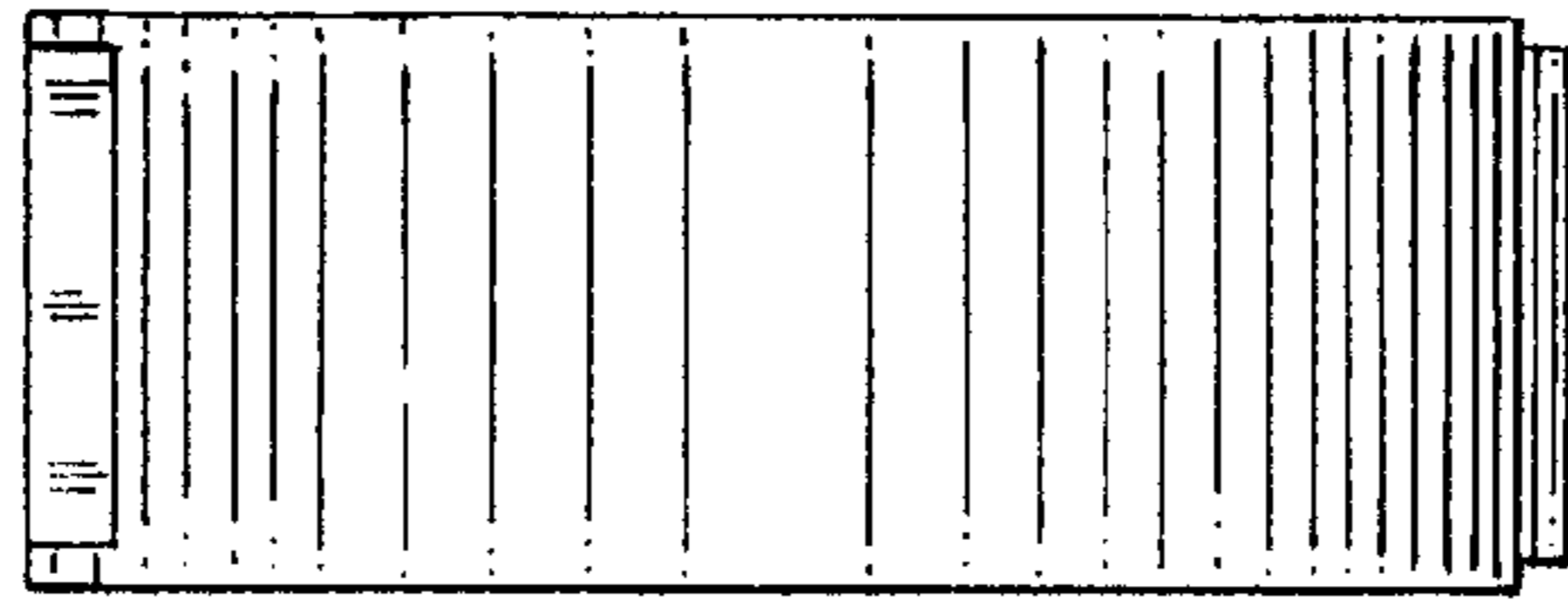


FIG. 6

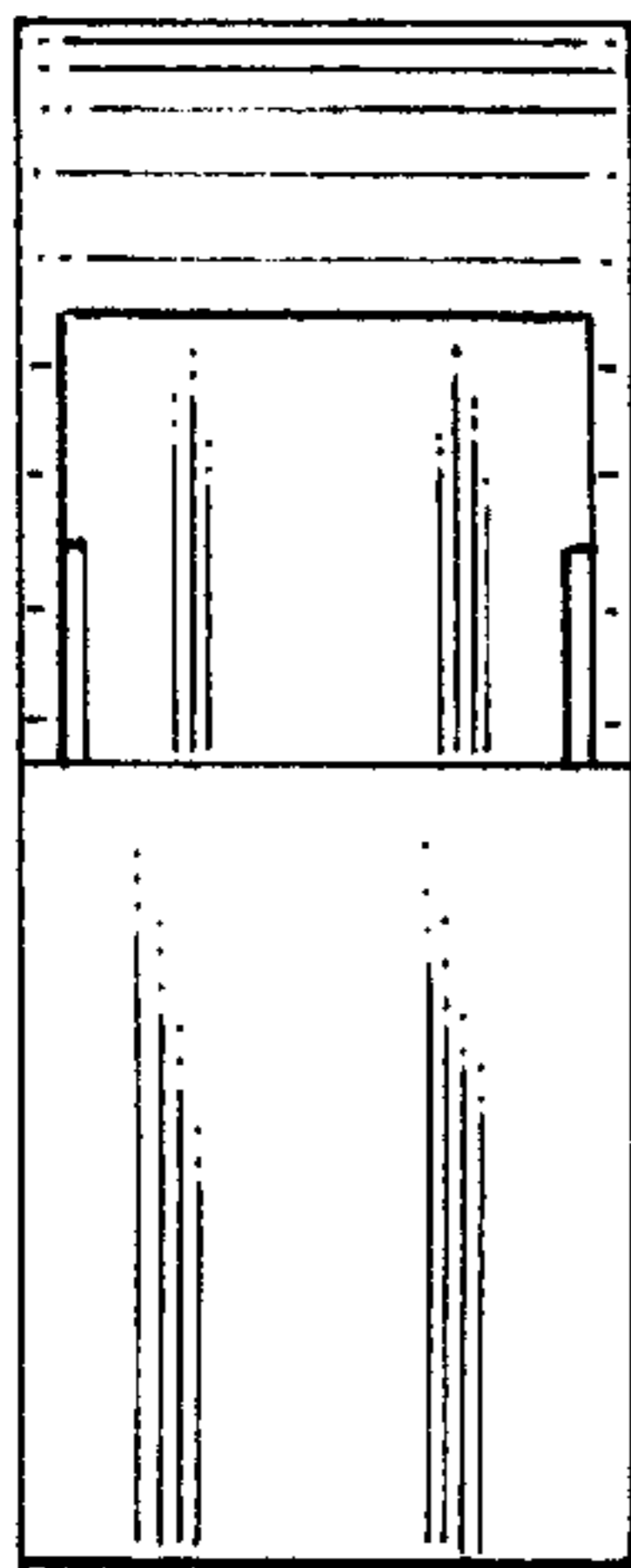


FIG. 3

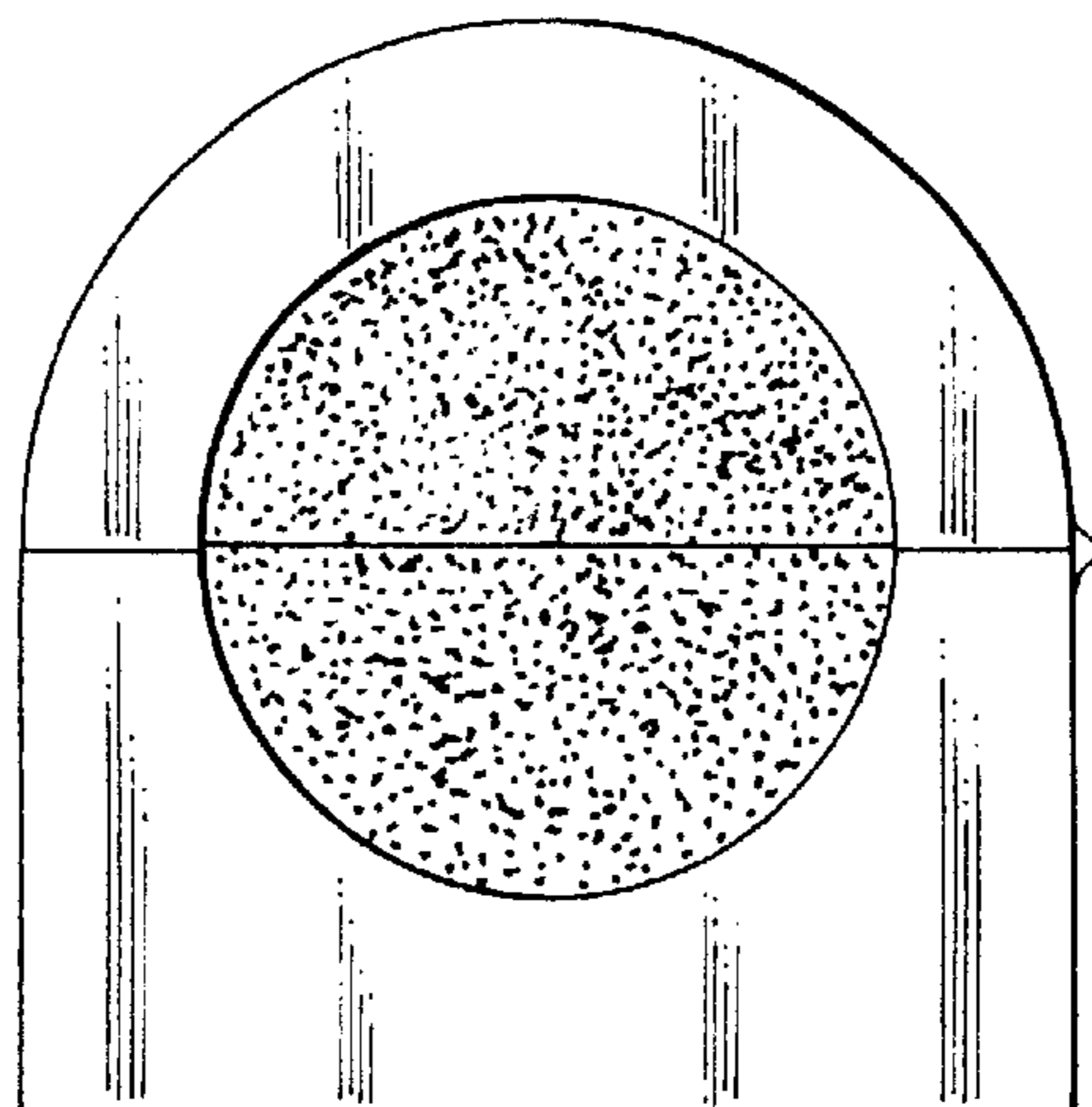


FIG. 2

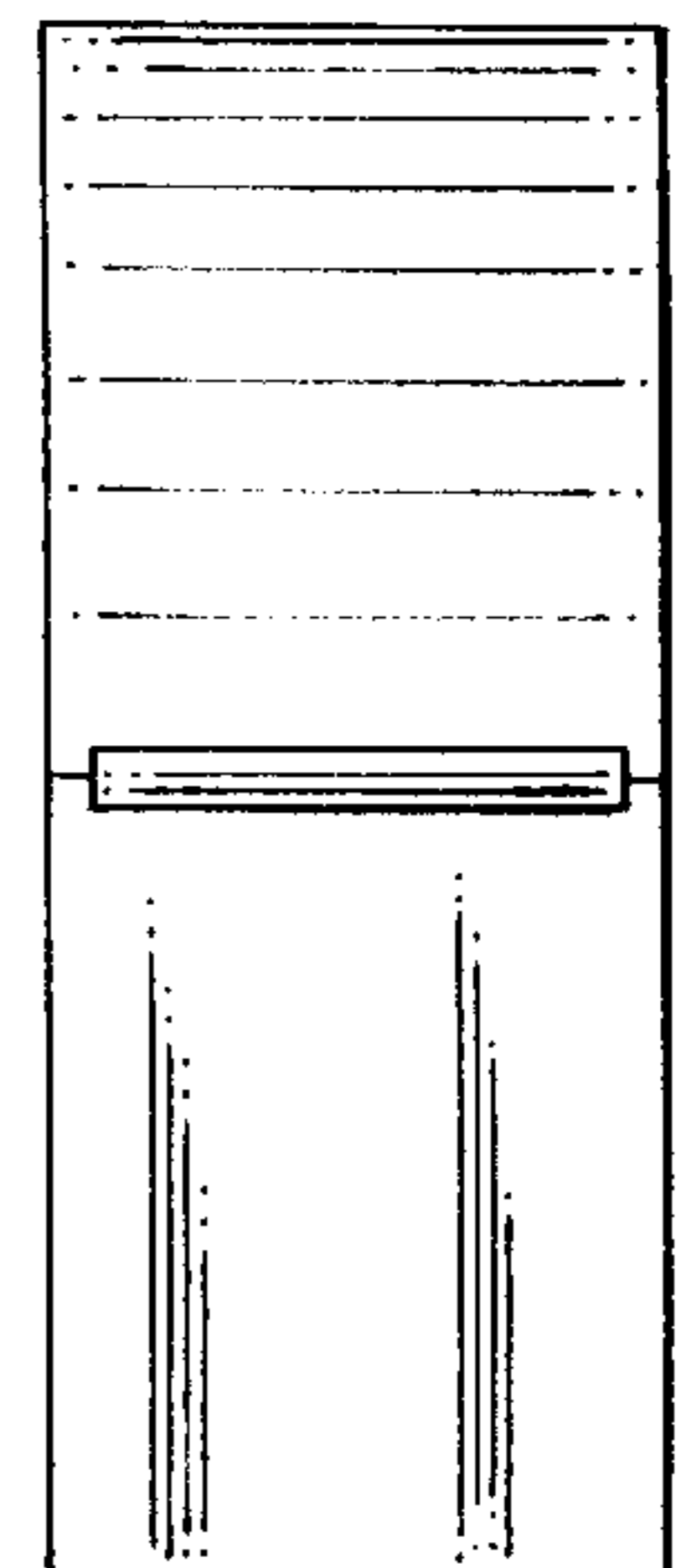


FIG. 4

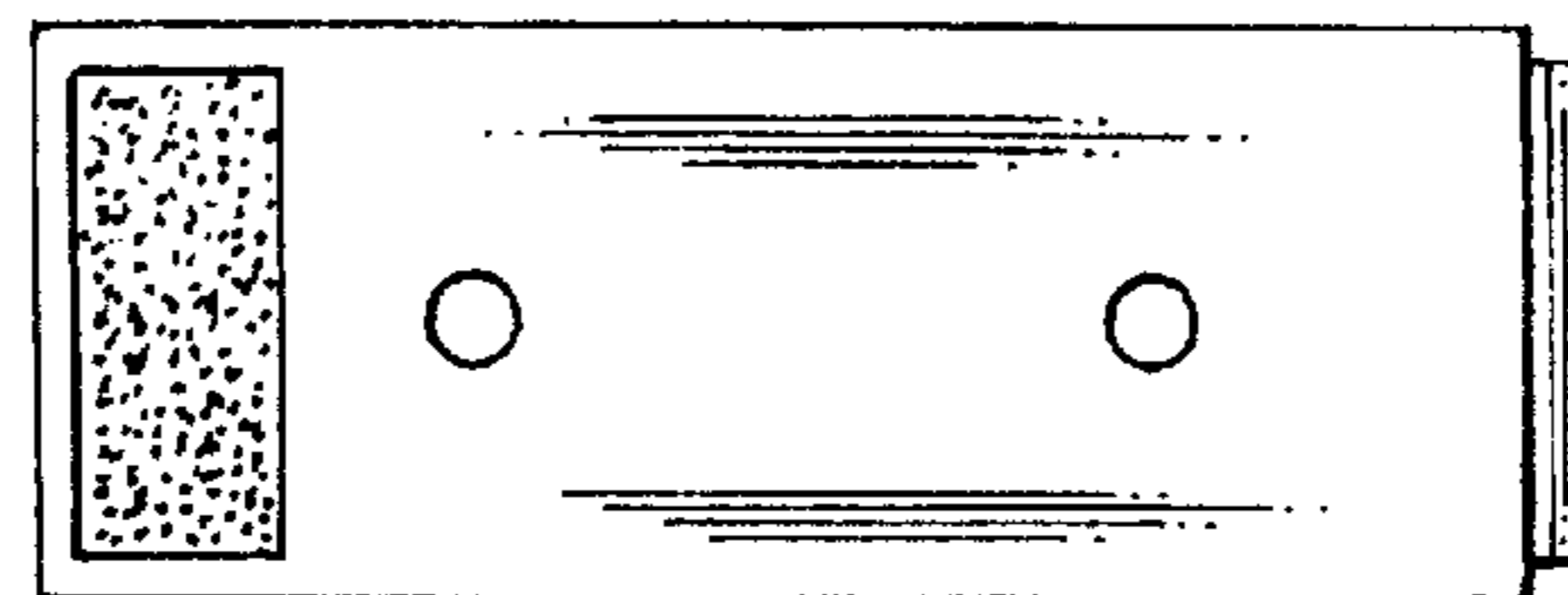


FIG. 7