



US00D448278B1

(12) **United States Design Patent**
Chi

(10) **Patent No.:** **US D448,278 S**

(45) **Date of Patent:** **** Sep. 25, 2001**

(54) **WHEEL ASSEMBLY FOR AN OFFICE CHAIR**

D. 420,945 * 2/2000 Dobersztyn et al. D12/133

* cited by examiner

(76) Inventor: **Ching-Hui Chi**, No. 24-2, Hsi Wei Street, San Chung City, Taipei Hsien (TW)

Primary Examiner—Pamela Burgess
(74) *Attorney, Agent, or Firm*—Rosenberg, Klein & Lee

(**) Term: **14 Years**

(57) **CLAIM**

(21) Appl. No.: **29/136,360**

The ornamental design for a wheel assembly for an office chair, as shown and described.

(22) Filed: **Jan. 31, 2001**

DESCRIPTION

(51) **LOC (7) Cl.** **08-05**

(52) **U.S. Cl.** **D8/375; D12/133**

(58) **Field of Search** D8/375; D12/133;
16/45-47, 32, 18 R, 18 A; 301/5.23; 280/87.041,
87.051, 87.05

FIG. 1 is a perspective view of a wheel assembly for an office chair showing my new design;
FIG. 2 is a front elevational view thereof;
FIG. 3 is a rear elevational view thereof;
FIG. 4 is a left side elevational view thereof;
FIG. 5 is a right side elevational view thereof;
FIG. 6 is a top plan view thereof; and,
FIG. 7 is a bottom plan view thereof.

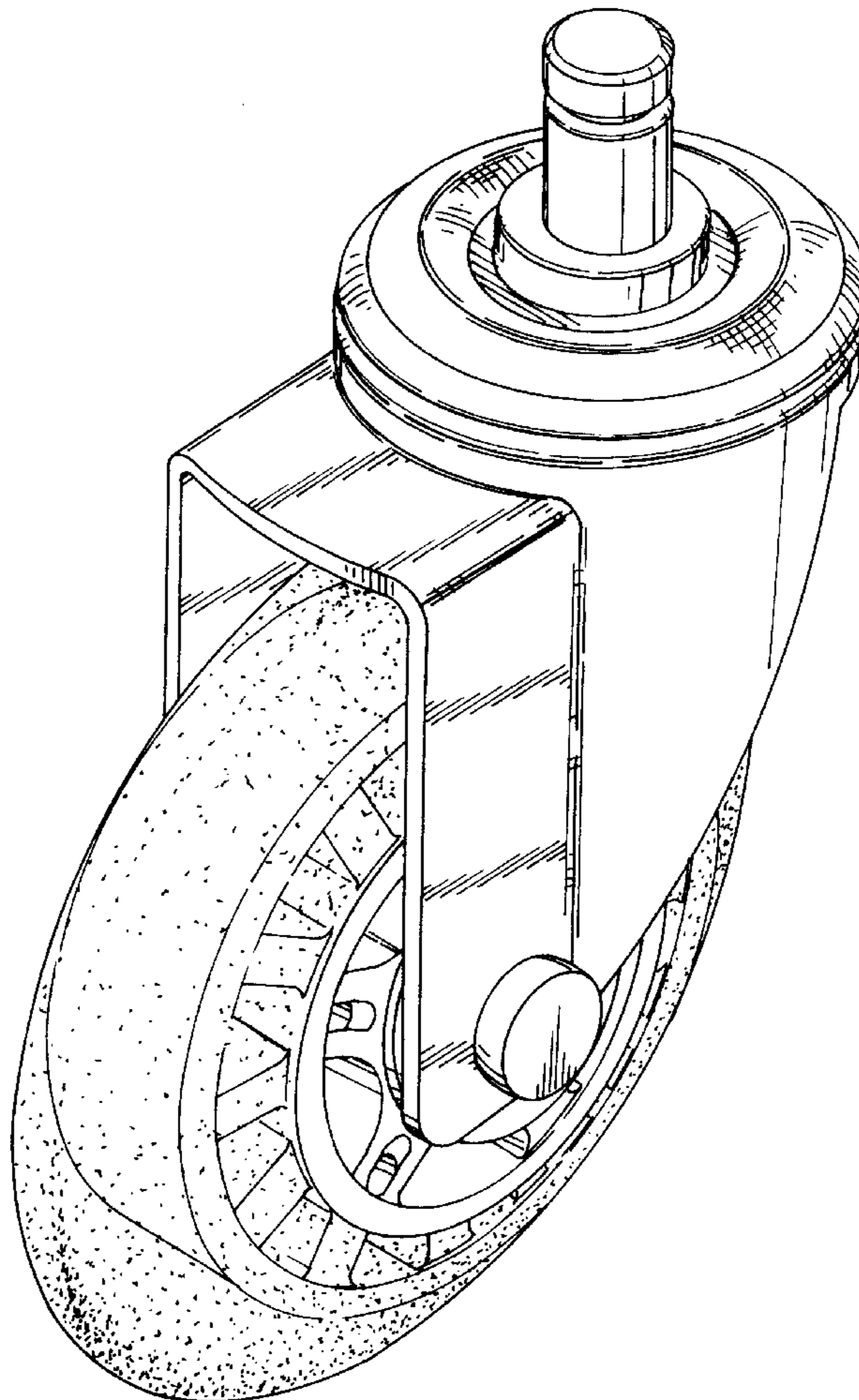
(56) **References Cited**

U.S. PATENT DOCUMENTS

- D. 82,337 * 10/1930 Malloy D8/375
- D. 334,136 * 3/1993 McCord et al. D8/375
- D. 409,477 * 5/1999 Royster D8/375

The broken lines on the wheel in FIGS. 1, 2, 3, 6 and, 7 show the interior of the translucent outer portion of said wheel.

1 Claim, 4 Drawing Sheets



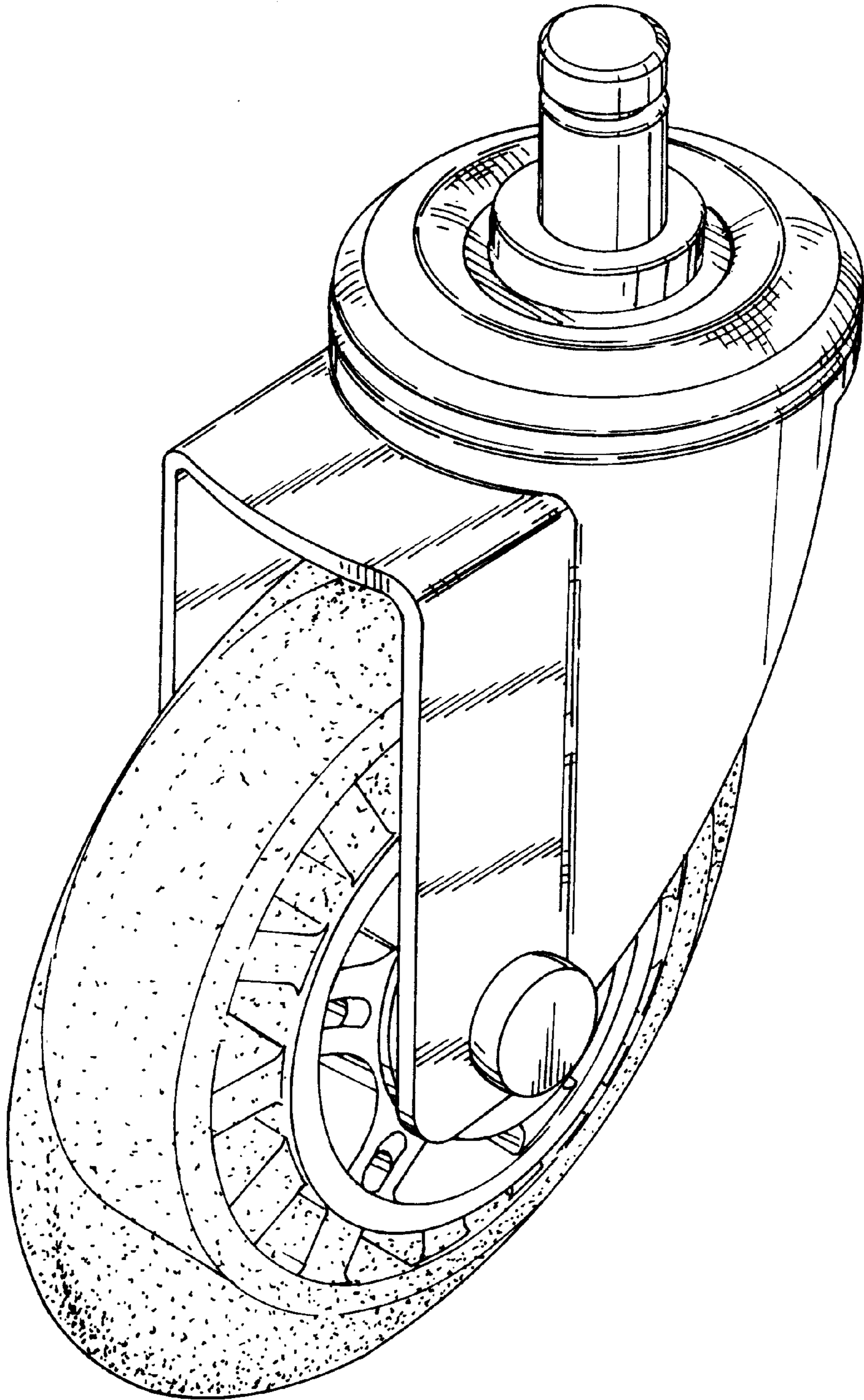


FIG. 1

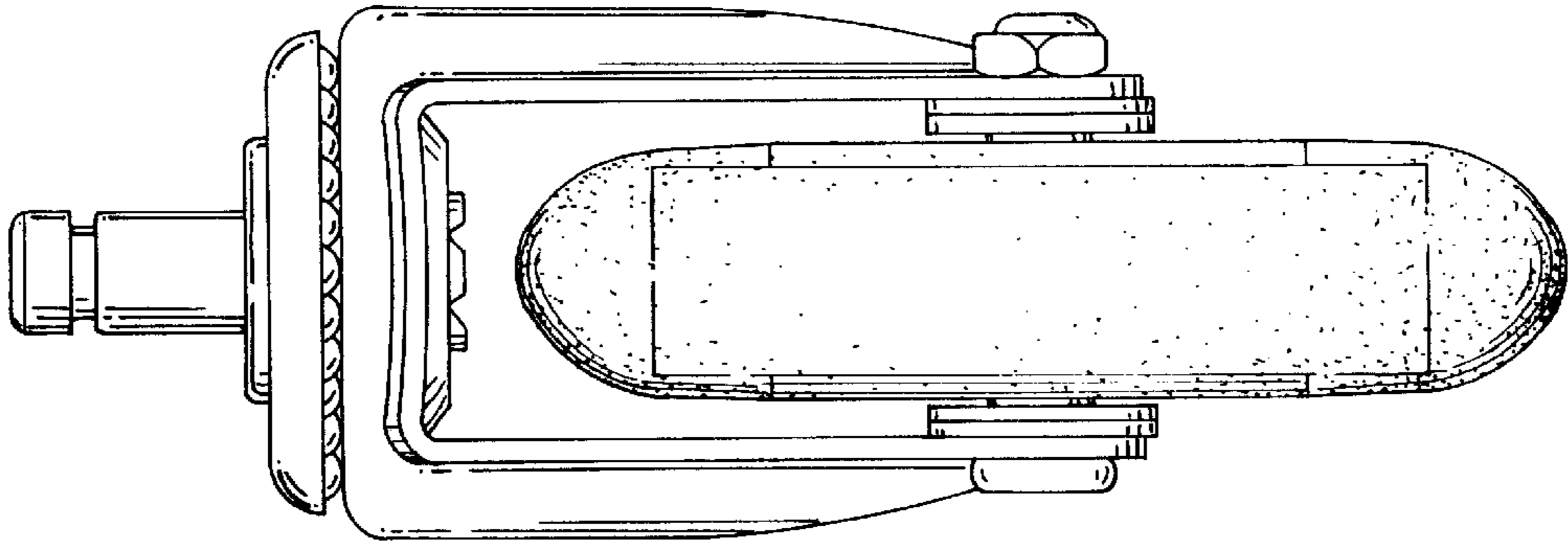


FIG. 3

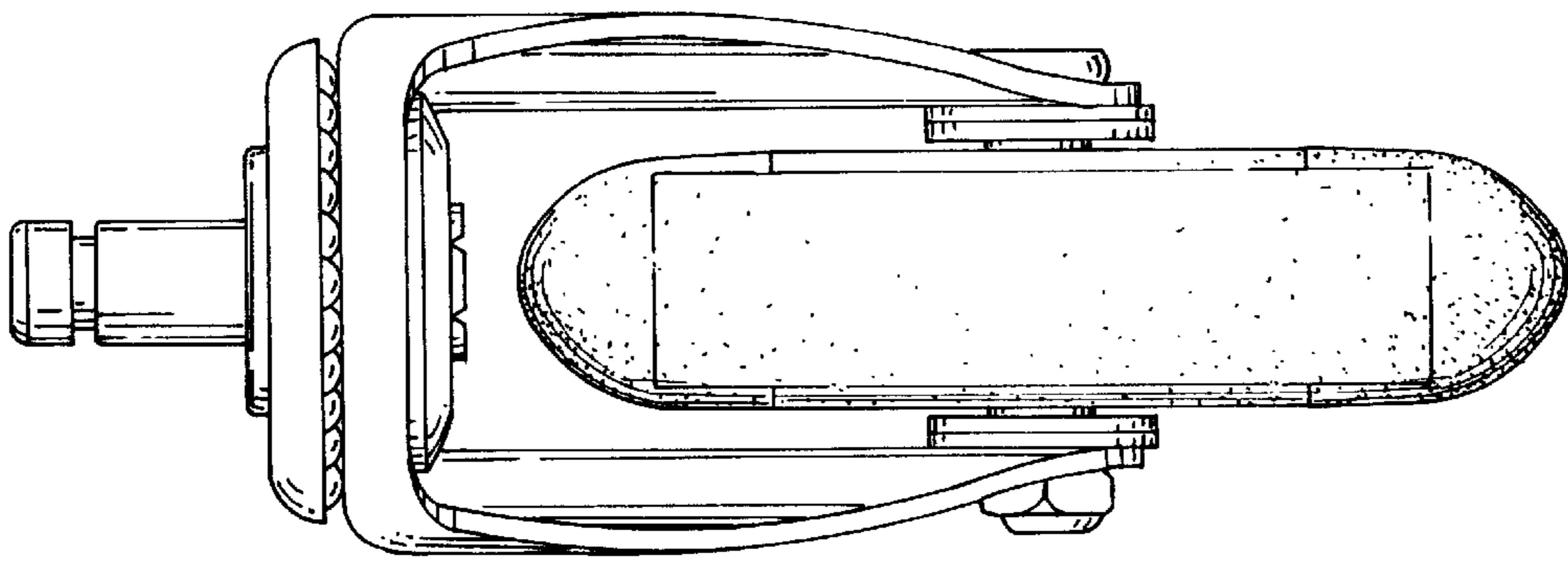


FIG. 2

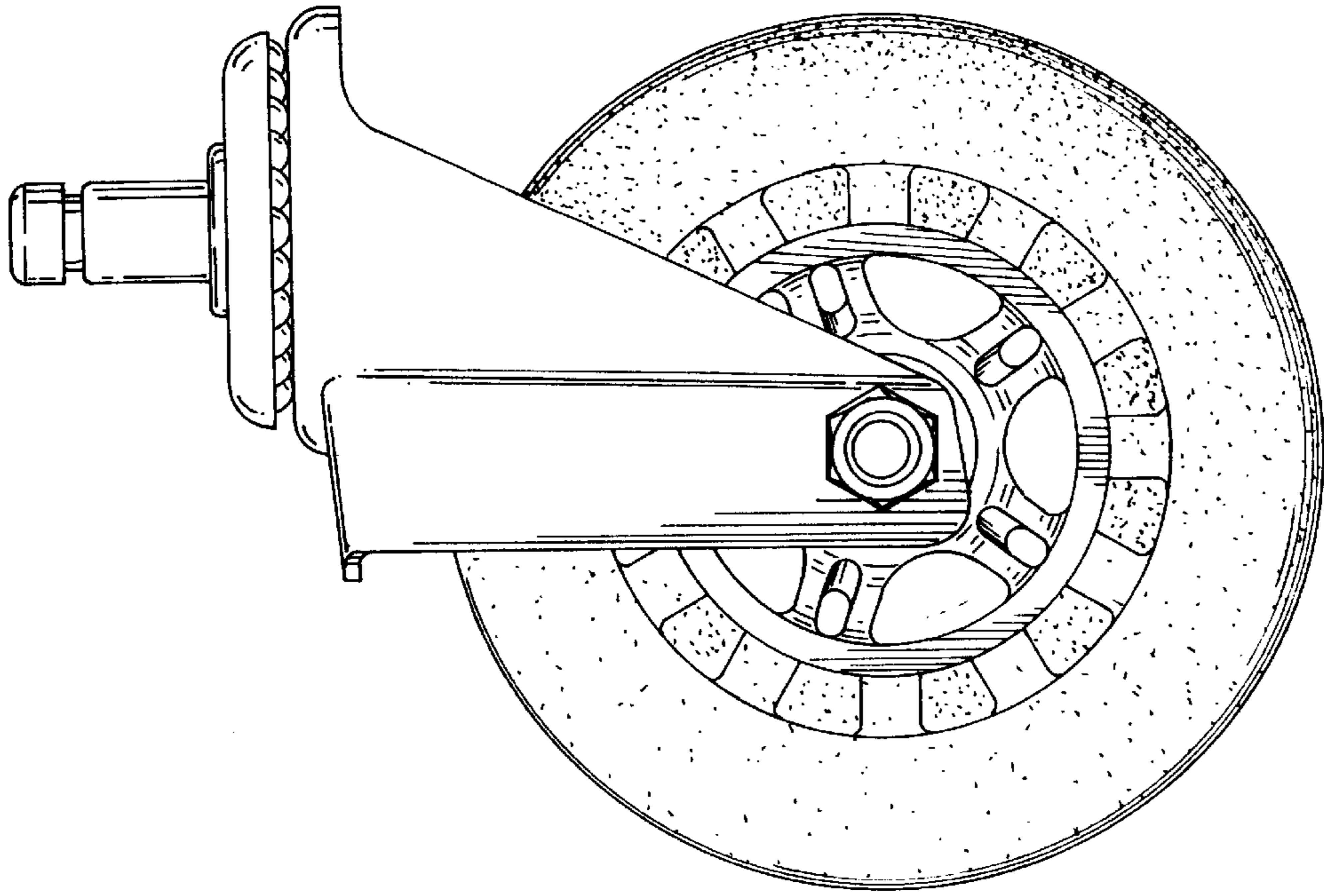


FIG. 5

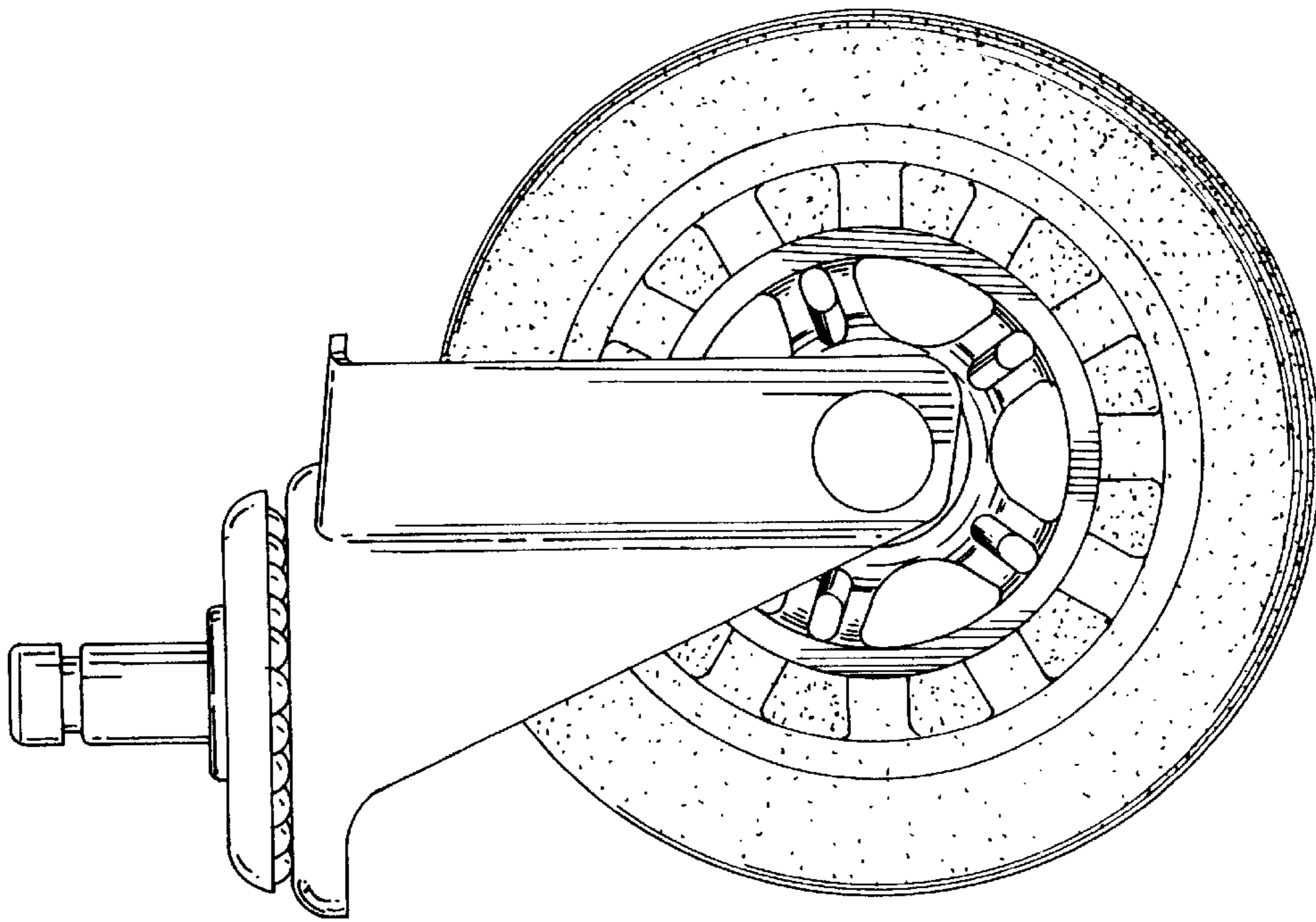


FIG. 4

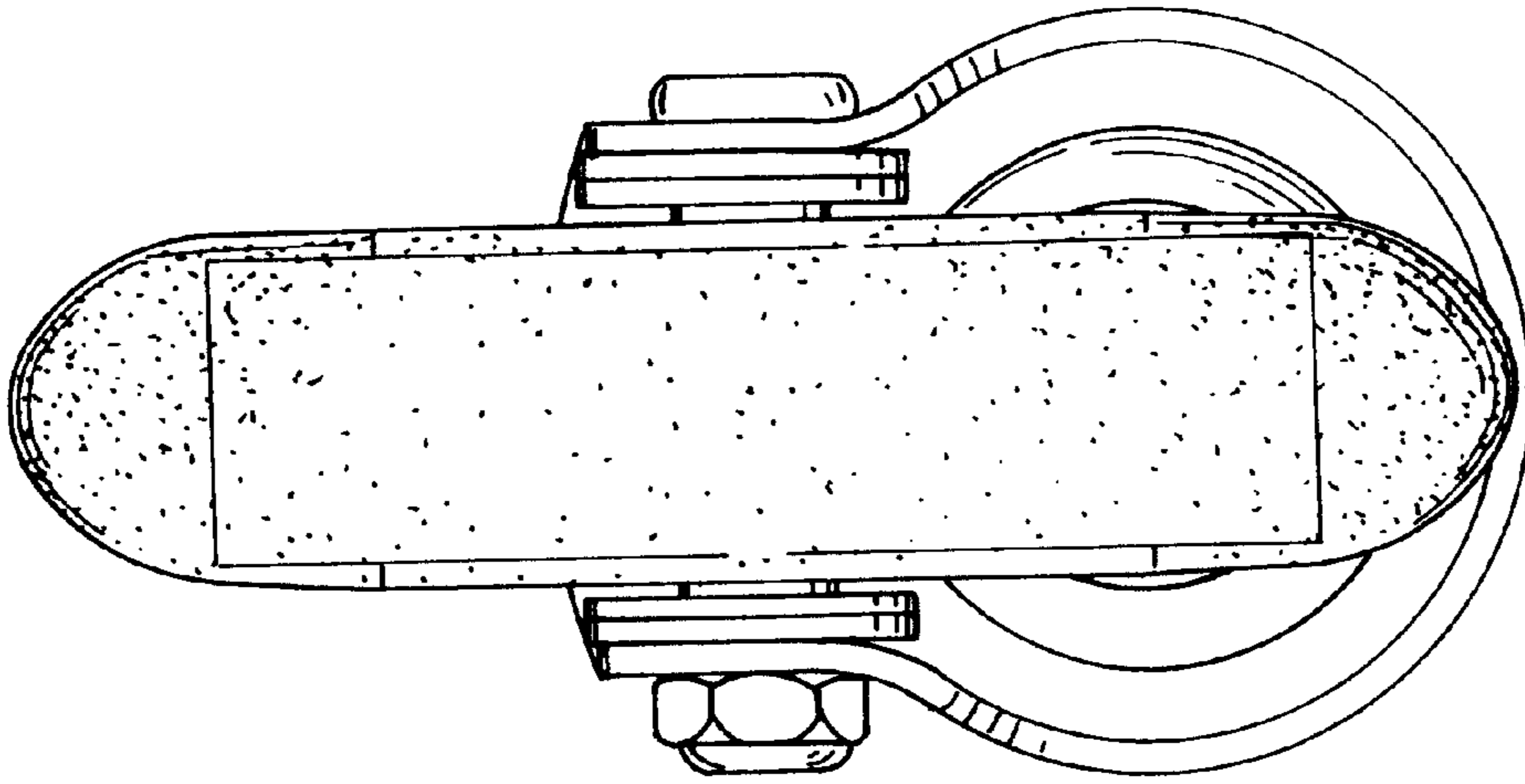


FIG. 7

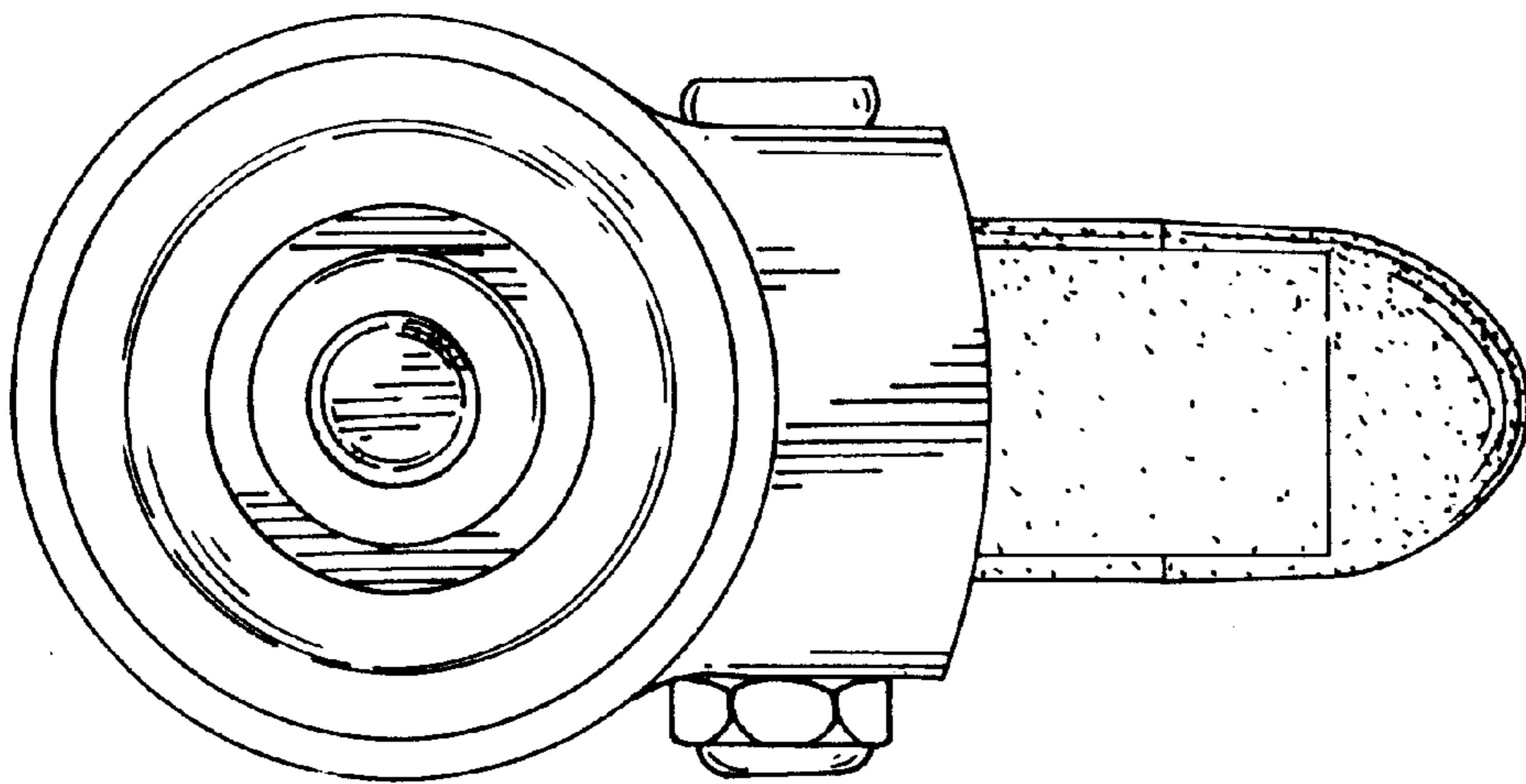


FIG. 6