



US00D448277B1

(12) **United States Design Patent**
Parker

(10) **Patent No.:** **US D448,277 S**

(45) **Date of Patent:** **** Sep. 25, 2001**

(54) **CASTOR**

FOREIGN PATENT DOCUMENTS

(75) **Inventor:** **Kent Wallace Parker**, Wellington (NZ)

197 16 347

(73) **Assignee:** **Formway Furniture Limited**,
Wellington (NZ)

A1	10/1988	(DE)
0 032 839 B1	7/1981	(EP)
0 164 266 A2	12/1985	(EP)
0 164 267 A2	12/1985	(EP)
0 216 578 A2	4/1987	(EP)
0 247 311 B1	12/1987	(EP)
0 249 584 B1	12/1987	(EP)
0 277 474 B2	8/1988	(EP)
0 338 050 B1	10/1989	(EP)
0 499 594 A1	8/1992	(EP)
0 539 733 B1	5/1993	(EP)
0 561 518 A1	9/1993	(EP)
0 592 369 B1	4/1994	(EP)
0 638 265 B1	2/1995	(EP)
0 645 974 B1	4/1995	(EP)
0 960 586 A2	12/1999	(EP)
1 013 198 A2	6/2000	(EP)
2 068 717 B	8/1981	(GB)
2 165 445 B	6/1986	(GB)
WO 91/03969	4/1991	(WO)
WO 93/03653	3/1993	(WO)
WO 94/08491	4/1994	(WO)
WO 98/08424	3/1998	(WO)

(**) **Term:** **14 Years**

(21) **Appl. No.:** **29/130,360**

(22) **Filed:** **Sep. 28, 2000**

(51) **LOC (7) Cl.** **08-05**

(52) **U.S. Cl.** **D8/375**

(58) **Field of Search** D8/375, 374; D12/133;
16/34, 18 R, 18 CG, 39, 29, 45, 27; 190/18 A

(56) **References Cited**

U.S. PATENT DOCUMENTS

D. 193,466	*	8/1962	Skupas et al.	D8/375
D. 392,552	*	3/1998	Miskill	D8/375
2,430,737	*	11/1947	Roe	16/39
2,612,211		9/1952	Gielow et al.	.	
2,760,556		8/1956	Henrikson et al.	.	
2,796,918		6/1957	Luckhardt	.	
3,183,544	*	5/1965	Bailey	16/18 R
3,620,568		11/1971	Morrow et al.	.	
3,712,666		1/1973	Stoll	.	
4,043,592		8/1977	Fries	.	
4,092,031	*	5/1978	Greer	16/27
4,143,910		3/1979	Geffers et al.	.	
4,380,352		4/1983	Diffrient	.	
4,390,206		6/1983	Faiks et al.	.	
4,408,797		10/1983	Franck et al.	.	
4,429,917		2/1984	Diffrient	.	
4,479,679		10/1984	Fries et al.	.	
4,498,702		2/1985	Raftery	.	
4,509,793		4/1985	Wiesmann et al.	.	
4,552,406		11/1985	Ohl	.	
4,555,136		11/1985	Dranger	.	
4,560,199		12/1985	Sapper	.	
4,585,272		4/1986	Ballarini	.	

(List continued on next page.)

Primary Examiner—Pamela Burgess
(74) *Attorney, Agent, or Firm*—Workman, Nydegger & Seeley

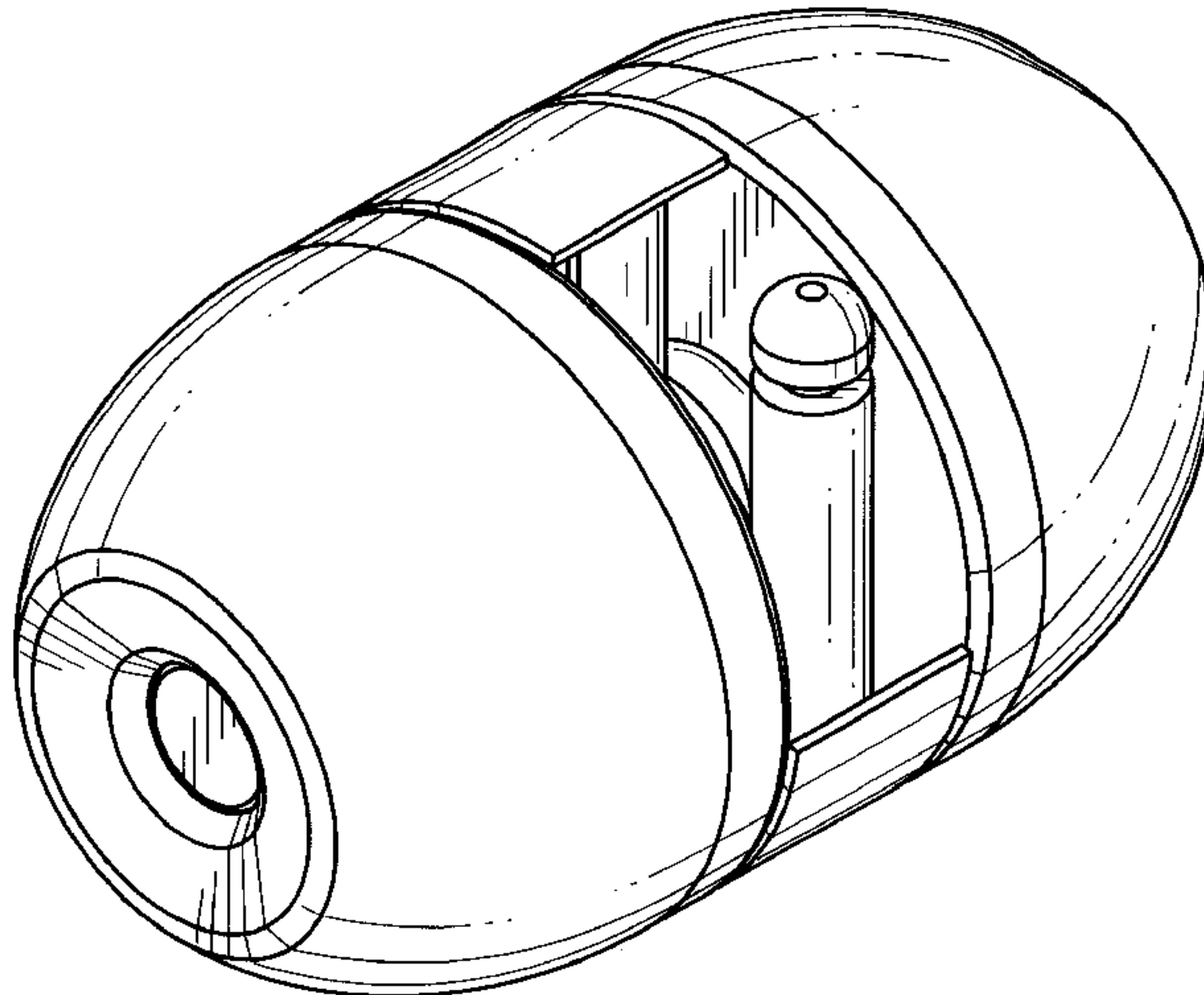
(57) **CLAIM**

The ornamental design for a castor, as shown and described.

DESCRIPTION

FIG. 1 is a top perspective view of a castor showing my new design;
FIG. 2 is a left side elevational view thereof, the right side being identical thereto;
FIG. 3 is a rear elevational view thereof;
FIG. 4 is a front elevational view thereof;
FIG. 5 is a top plan view thereof; and,
FIG. 6 is a bottom plan view thereof.

1 Claim, 4 Drawing Sheets



U.S. PATENT DOCUMENTS

			5,575,534	11/1996	Yu .	
			5,577,807	11/1996	Hodge et al. .	
			5,660,439	8/1997	Unwalla .	
			5,711,575	1/1998	Hand et al. .	
			5,725,277	3/1998	Knoblock .	
			5,765,804	6/1998	Stumpf et al. .	
			5,765,914	6/1998	Britain et al. .	
			5,772,282	6/1998	Stumpf et al. .	
			5,791,736	8/1998	Hervert .	
			5,826,940	10/1998	Hodgdon .	
			5,860,701	1/1999	Jungjohann et al. .	
			5,868,467	2/1999	Moll .	
			5,909,923	6/1999	DeKraker .	
			5,964,503	10/1999	Inoue .	
			5,971,481	10/1999	Emmenegger et al. .	
			5,975,634	11/1999	Knoblock et al. .	
			6,010,189	1/2000	Hybarger et al. .	
			6,035,901	3/2000	Stumpf et al. .	
			6,039,397	3/2000	Ginat .	
			6,056,360	5/2000	Schneider .	
			6,059,368	5/2000	Stumpf et al. .	
			6,082,510 *	6/2000	Liang 190/18 A	
			6,120,096	9/2000	Miotto .	

* cited by examiner

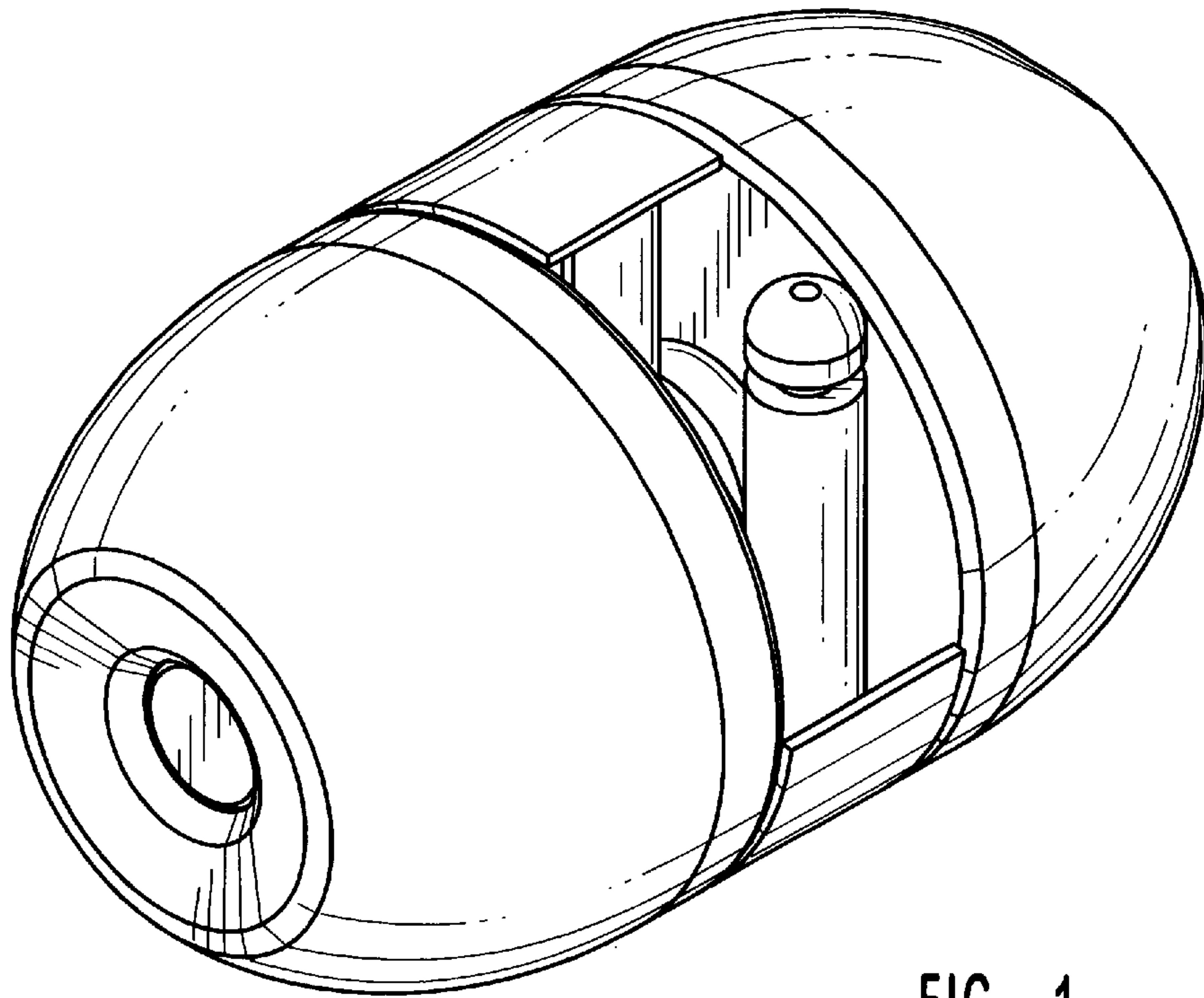


FIG. 1

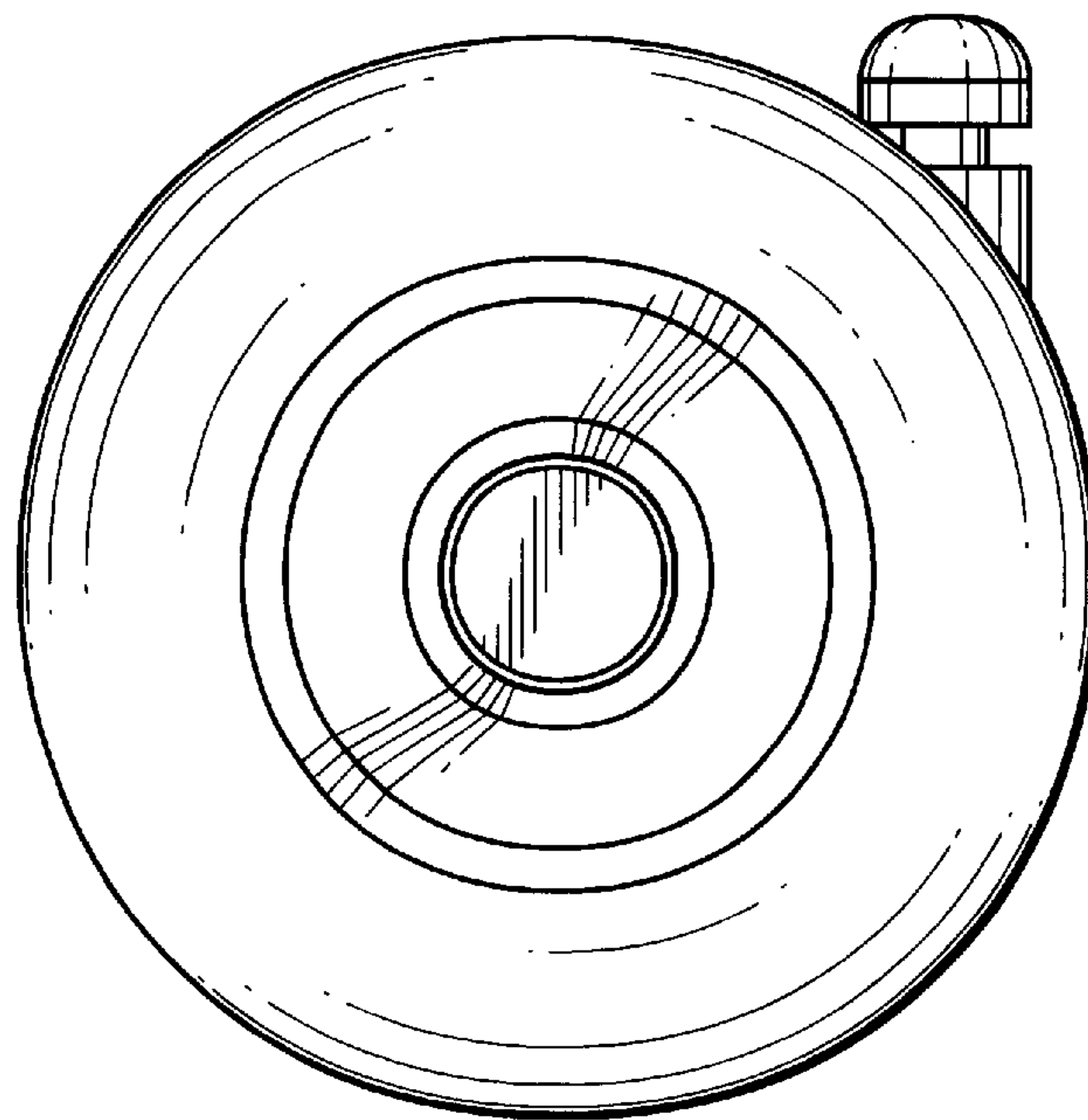


FIG. 2

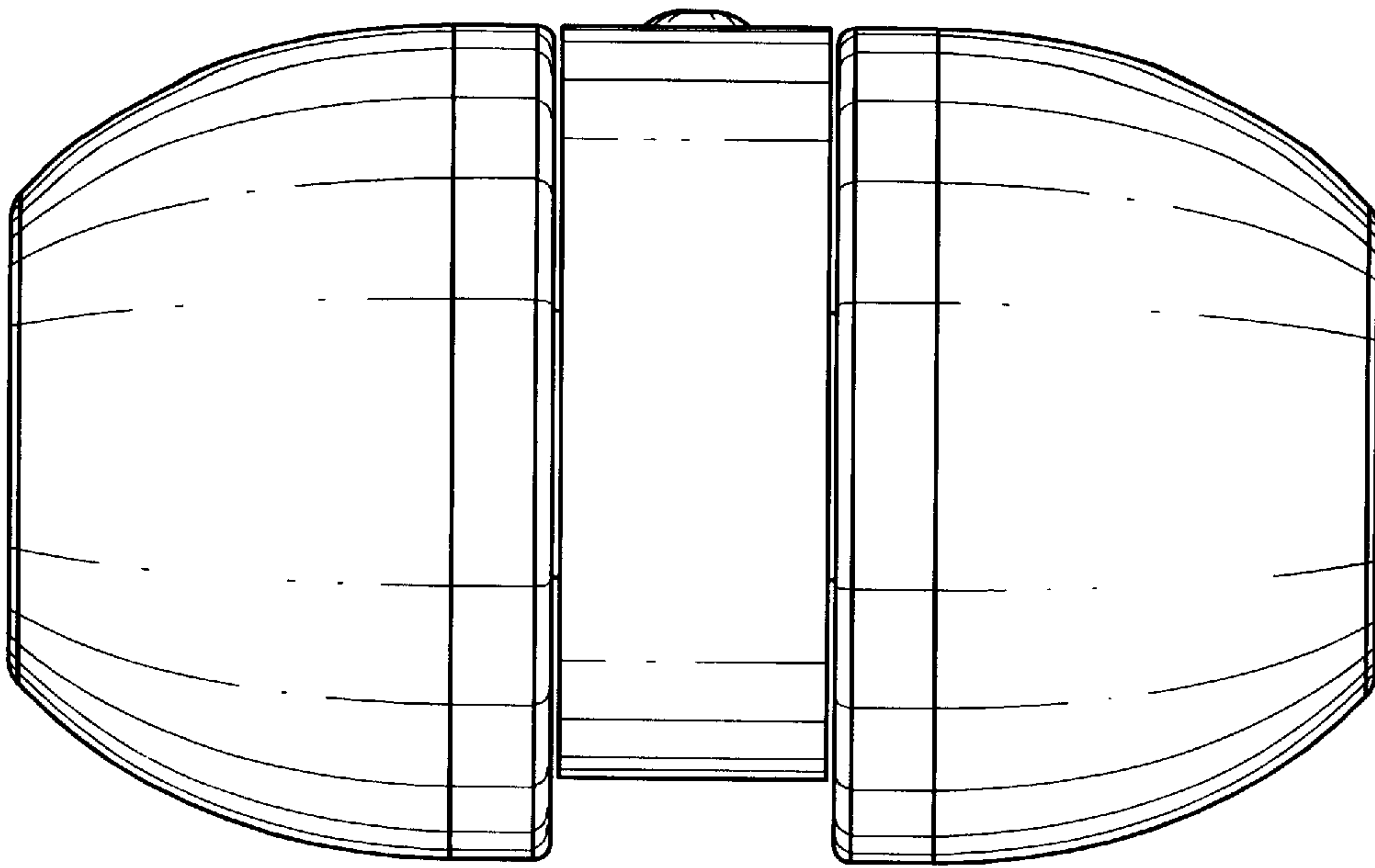


FIG. 3

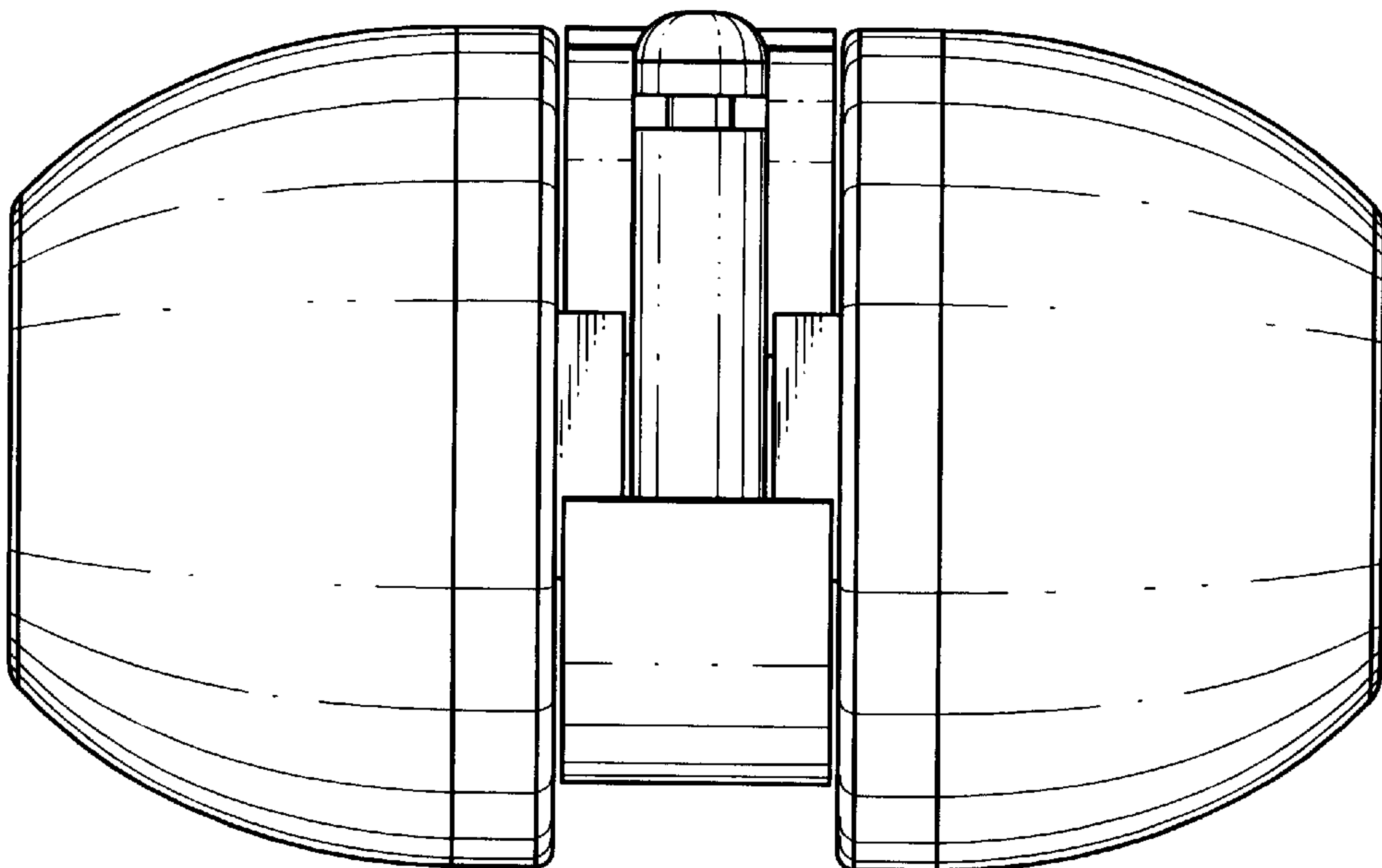


FIG. 4

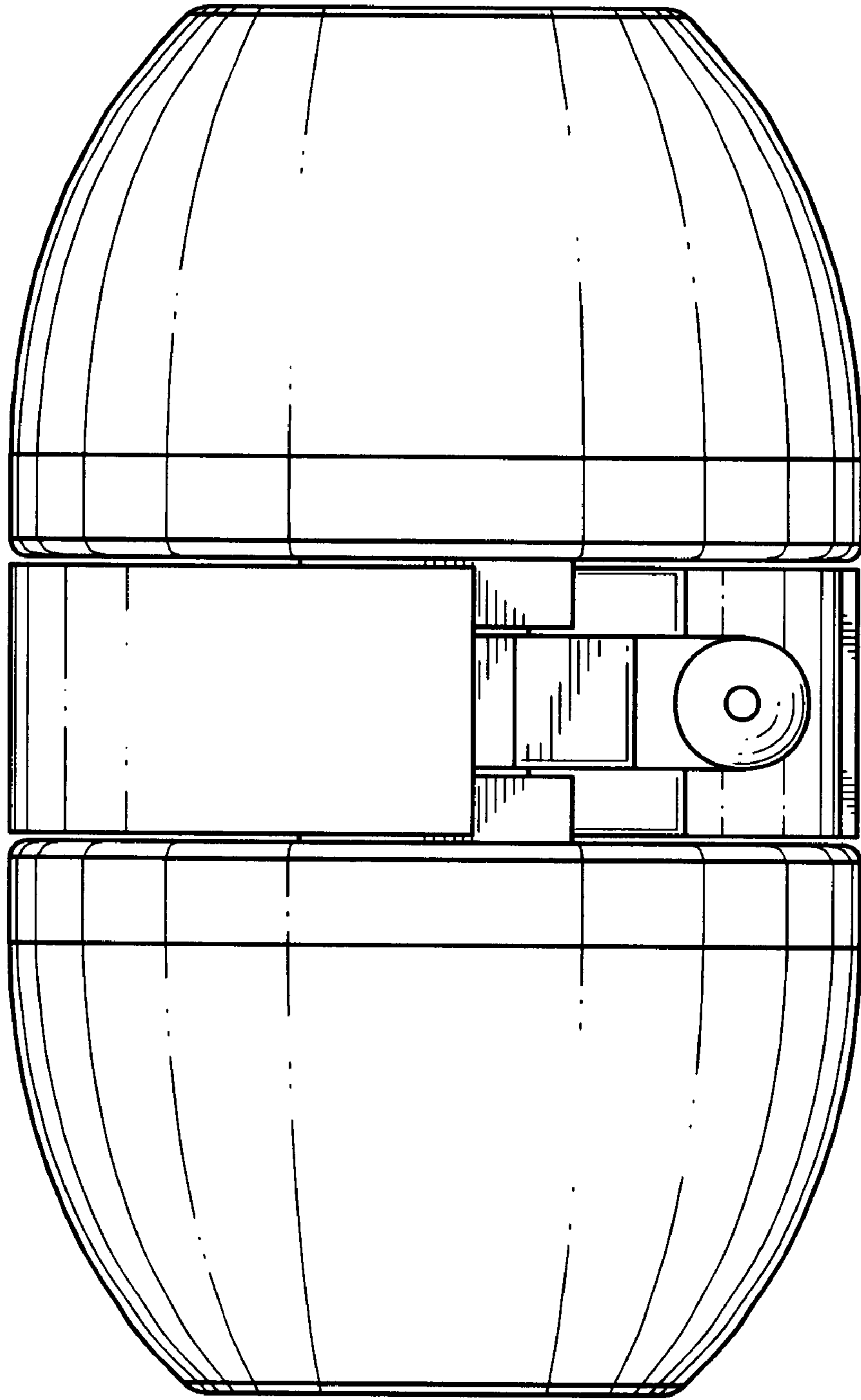


FIG. 5

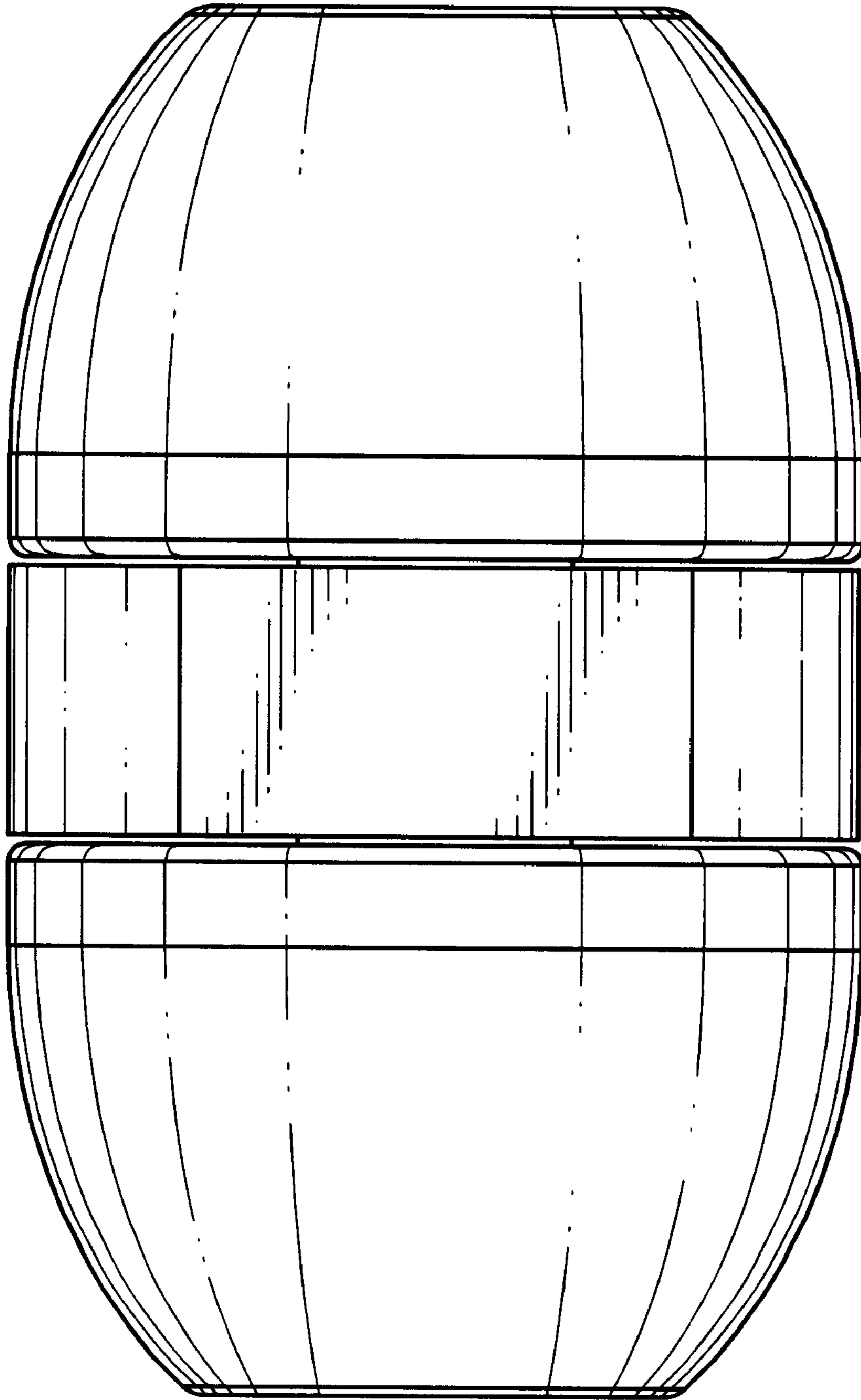


FIG. 6