



US00D448275B1

(12) **United States Design Patent**
Kuo

(10) **Patent No.:** **US D448,275 S**

(45) **Date of Patent:** **** Sep. 25, 2001**

(54) **LUGGAGE BEZEL**

(75) Inventor: **Chung-Hsien Kuo, Pan-Chiao (TW)**

(73) Assignee: **Chaw Khong Technology Co., Ltd., Taipei (TW)**

(**) Term: **14 Years**

(21) Appl. No.: **29/121,473**

(22) Filed: **Apr. 5, 2000**

(51) **LOC (7) Cl.** **11-01**

(52) **U.S. Cl.** **D8/350**

(58) **Field of Search** D8/350, 353; D3/318, D3/321, 276, 279, 281; 16/113.1; 190/18 A, 39, 100, 115, 118

(56) **References Cited**

U.S. PATENT DOCUMENTS

D. 373,248	*	9/1996	Wang	D3/318
D. 392,099	*	3/1998	Wang	D3/318
D. 393,746	*	4/1998	Wang	D3/318
D. 417,134	*	11/1999	Workman	D3/318 X
5,566,798	*	10/1996	Tsai	190/115
5,639,109	*	6/1997	Liang	190/18 A X

5,690,196	*	11/1997	Wang	190/115
5,782,325	*	7/1998	O'Shea et al.	190/18 A
5,803,214	*	9/1998	Wang	190/115
5,927,451	*	7/1999	Tsai	190/115
6,079,527	*	6/2000	Kuo	190/115

* cited by examiner

Primary Examiner—Louis S. Zarfaz

Assistant Examiner—Robert A. Delehanty

(74) *Attorney, Agent, or Firm*—Dougherty & Troxell

(57) **CLAIM**

The ornamental design for a luggage bezel, as shown and described.

DESCRIPTION

FIG. 1 is a perspective view of the luggage bezel of this invention;

FIG. 2 is a front elevational view thereof;

FIG. 3 is a rear elevational view thereof;

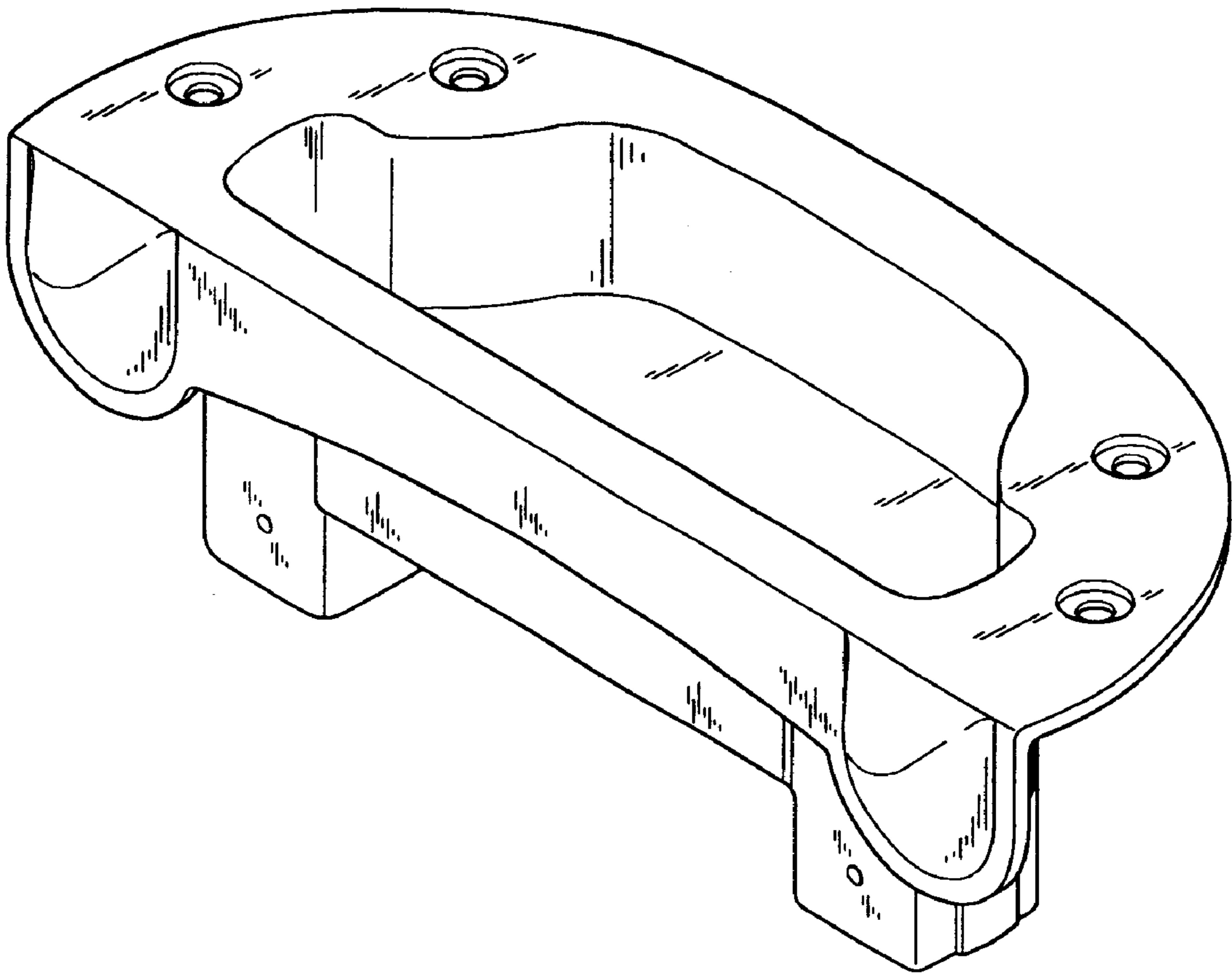
FIG. 4 is a left side elevational view thereof;

FIG. 5 is a right side elevational view thereof;

FIG. 6 is a top plan view thereof; and,

FIG. 7 is a bottom plan view thereof.

1 Claim, 4 Drawing Sheets



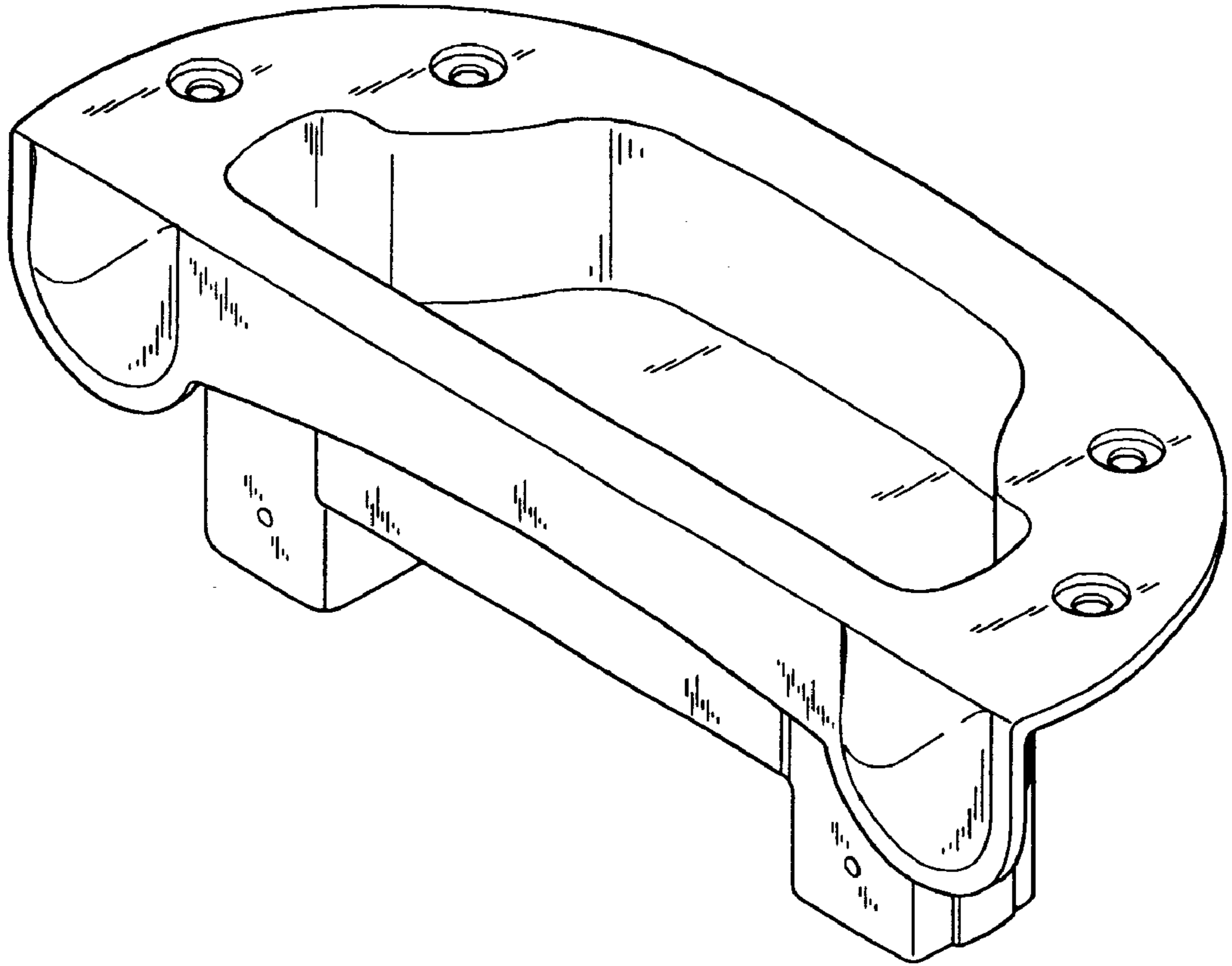


FIG. 1

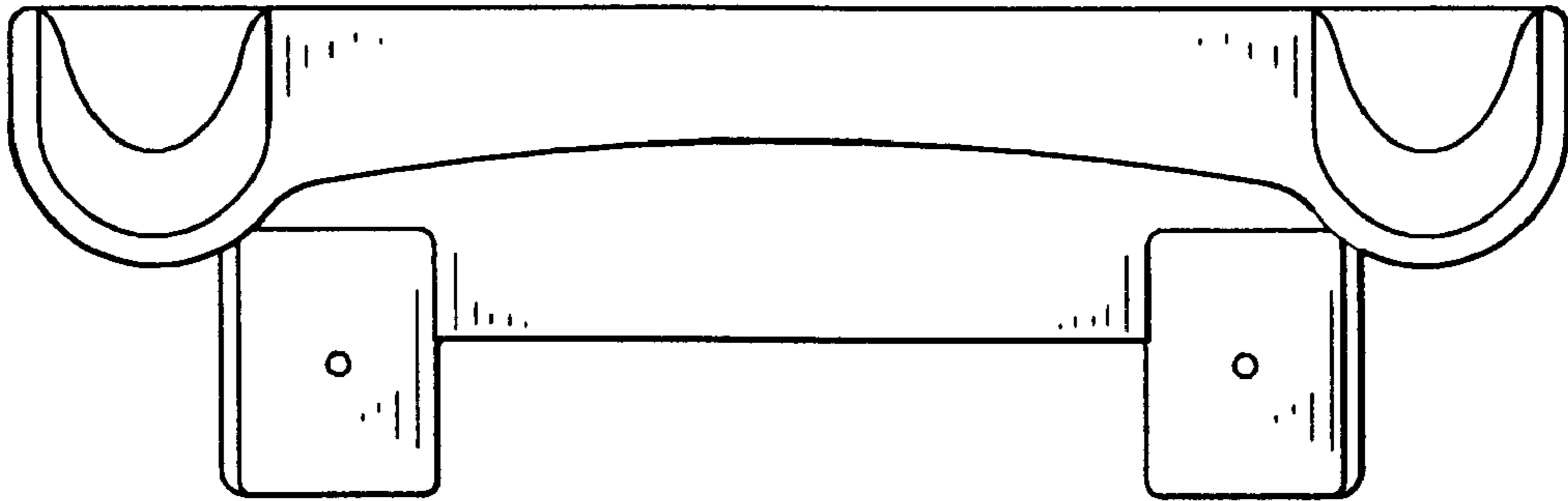


FIG. 2

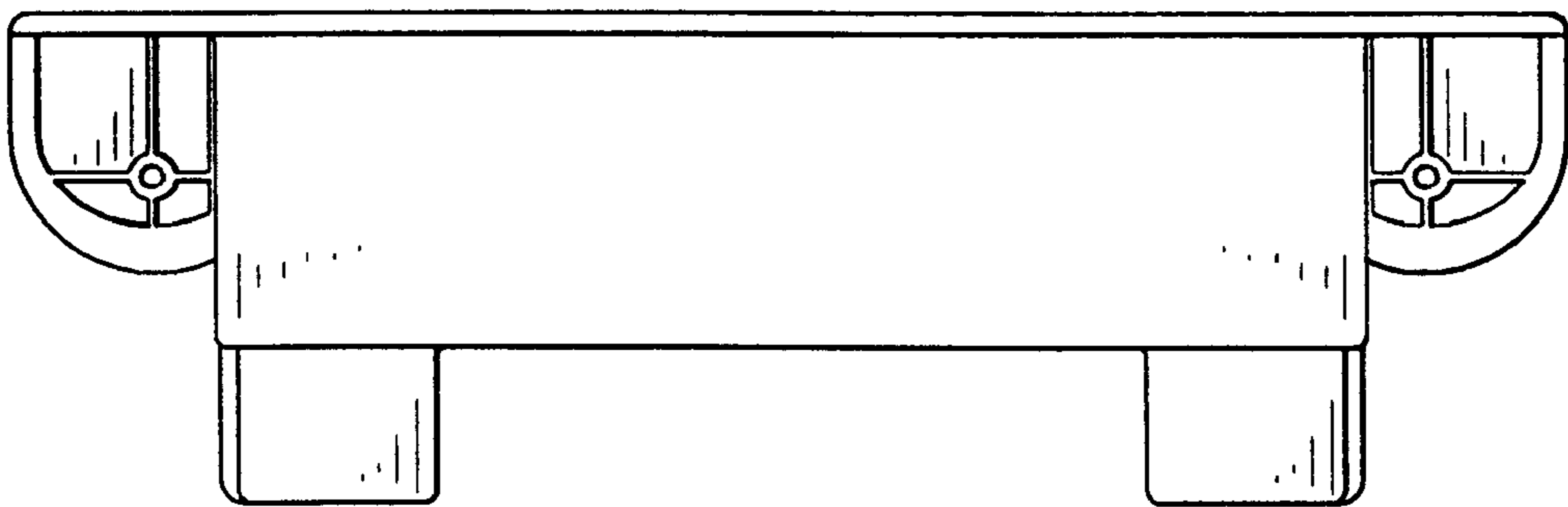


FIG. 3

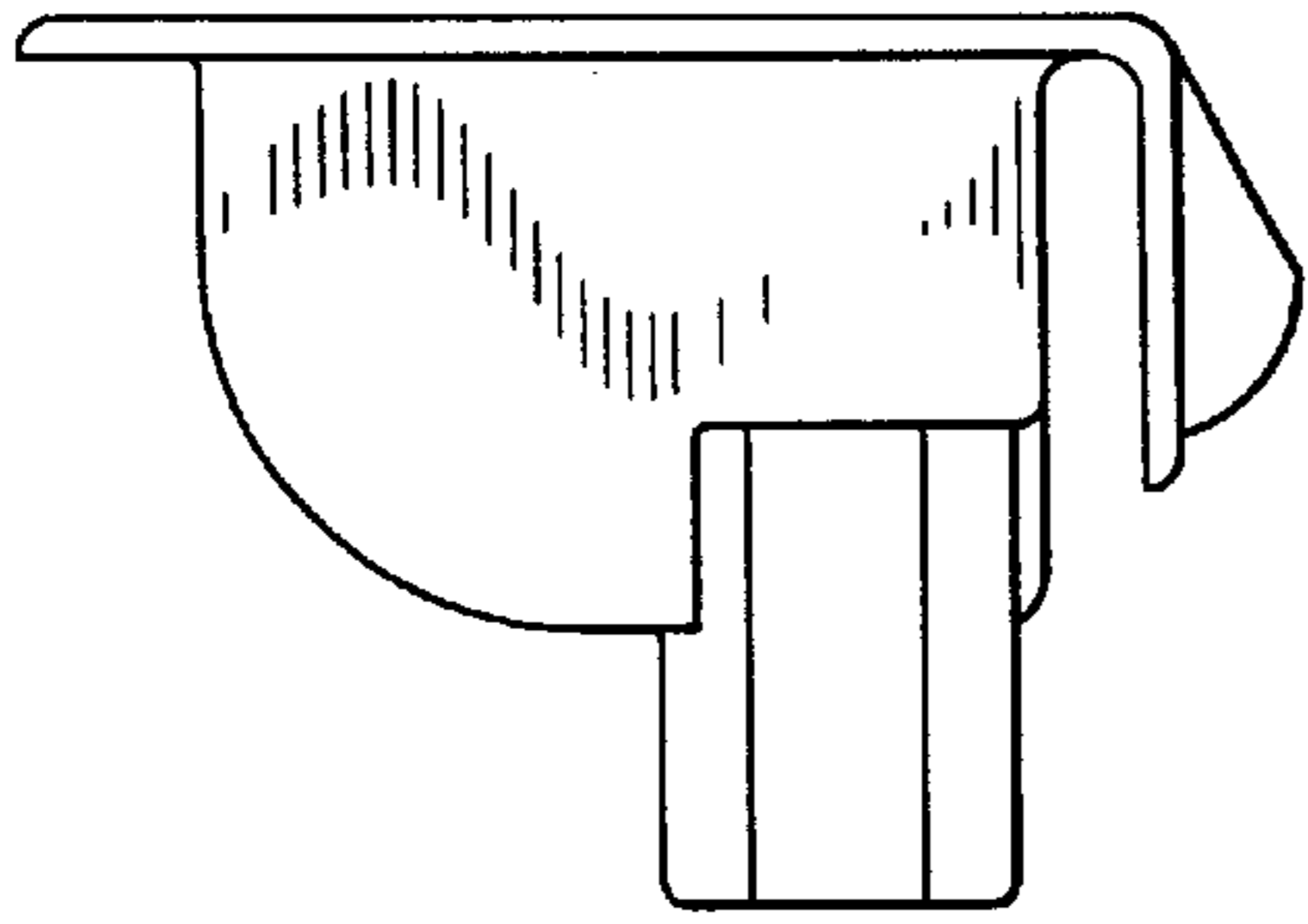


FIG. 4

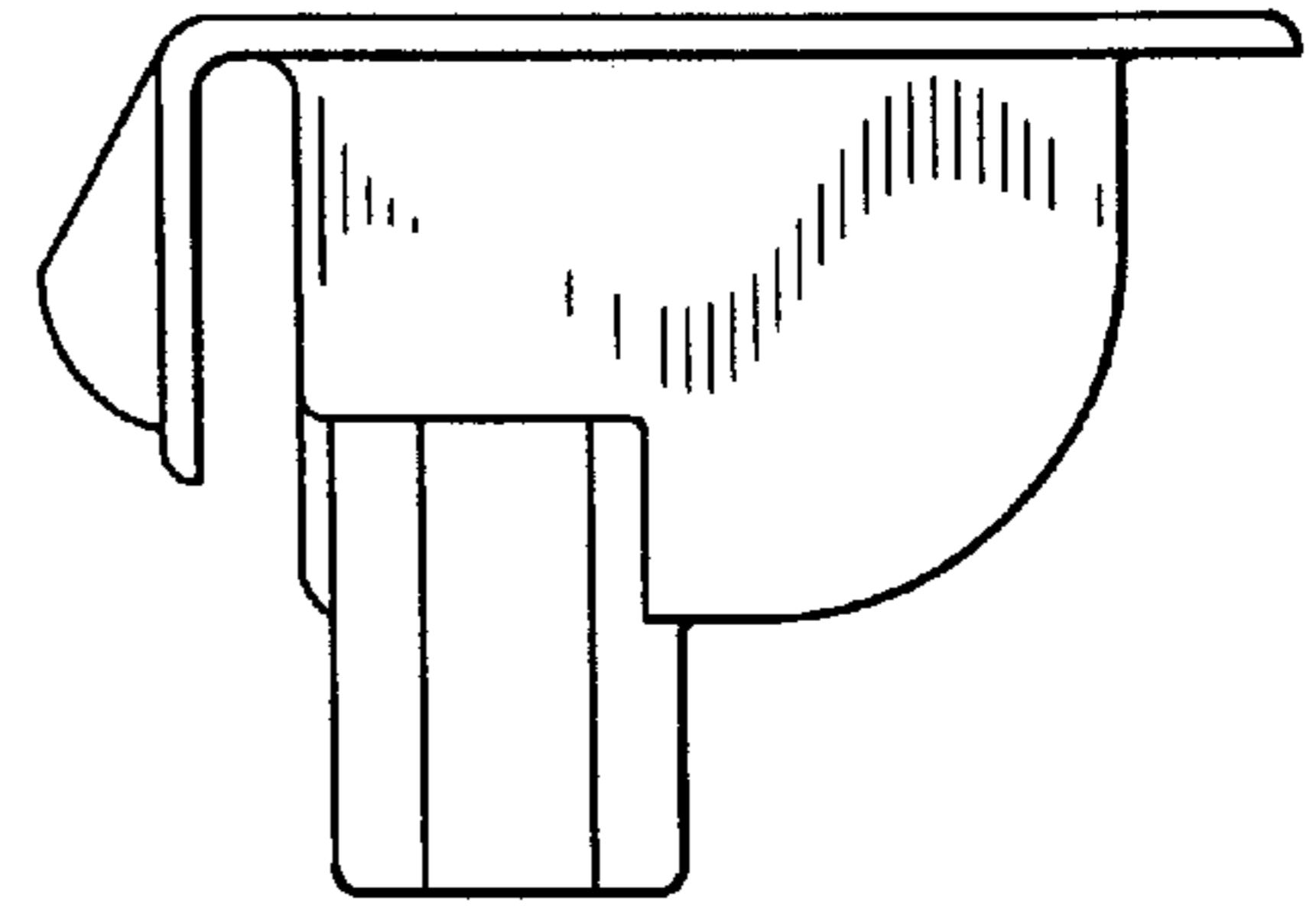


FIG. 5

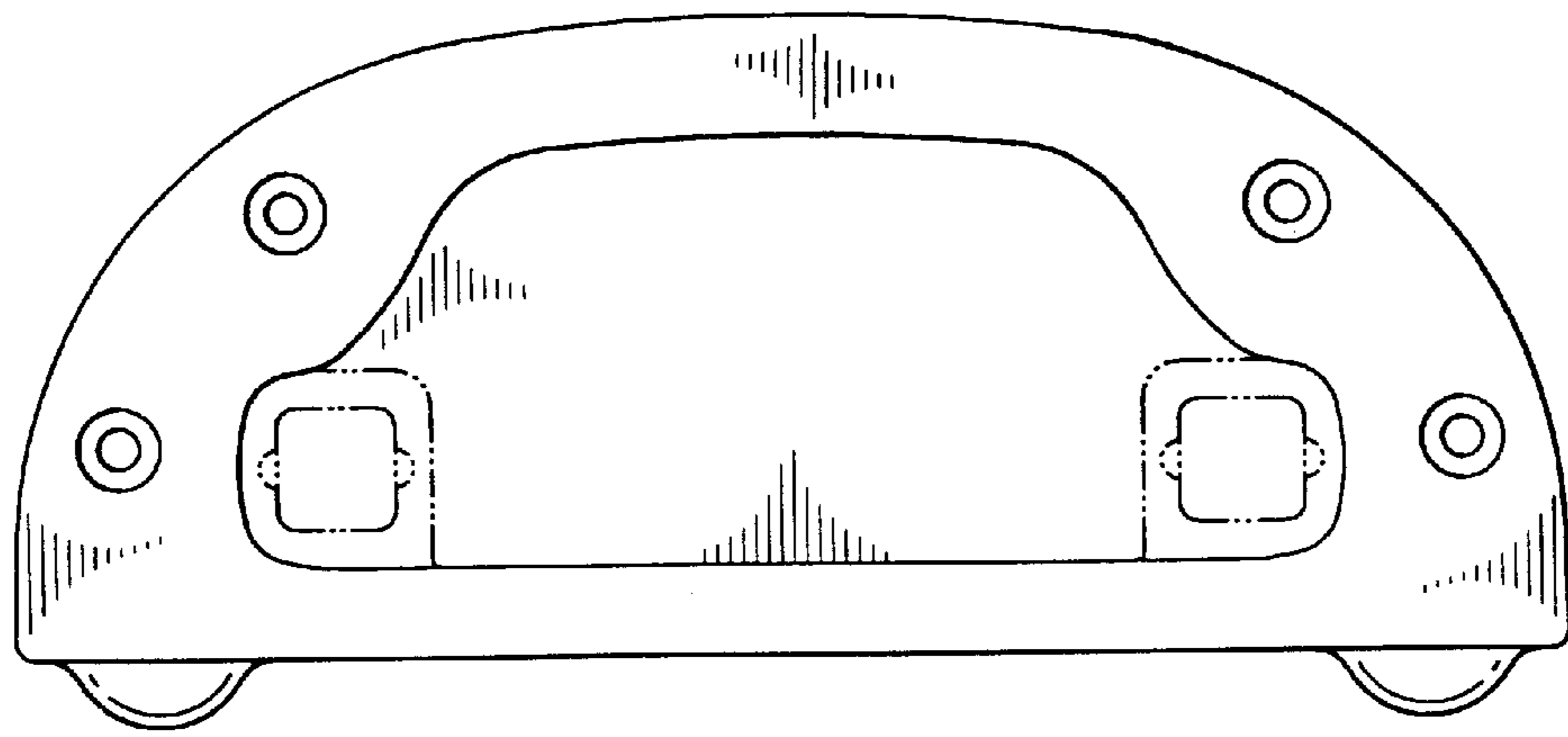


FIG. 6

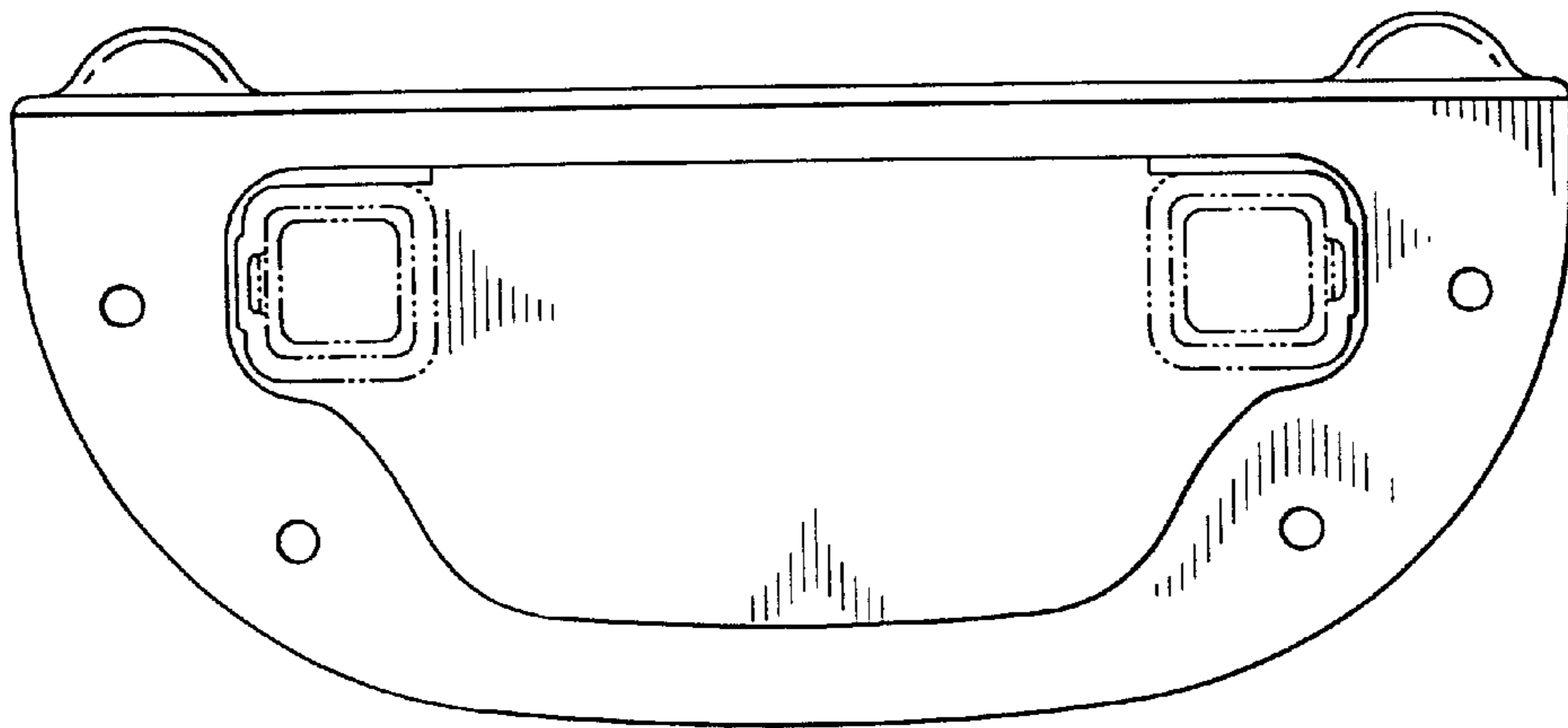


FIG. 7