



US00D448274B1

(12) **United States Design Patent**
Heinrich

(10) **Patent No.:** **US D448,274 S**

(45) **Date of Patent:** **** Sep. 25, 2001**

(54) **KEY OPERATED CAM LOCK WITH THREE
ROUNDED CAM ARMS**

3,589,152 * 6/1971 Glass et al. 70/371 X
5,101,649 4/1992 Duval 70/369
5,697,238 * 12/1997 Oike 70/372 X

(75) Inventor: **Thomas Heinrich**, Streamwood, IL
(US)

OTHER PUBLICATIONS

(73) Assignee: **The Eastern Company**, Wheeling, IL
(US)

Entertainment Systems, 1-Page Sketch Containing 3 Views
Dated Aug. 7, 2000.

(**) Term: **14 Years**

* cited by examiner

(21) Appl. No.: **29/127,987**

Primary Examiner—Susan J. Lucas

(22) Filed: **Aug. 16, 2000**

Assistant Examiner—Jennifer Rivard

(51) **LOC (7) Cl.** **08-07**

(74) *Attorney, Agent, or Firm*—David A. Burge

(52) **U.S. Cl.** **D8/338**

(58) **Field of Search** 70/367, 370, 375,
70/491, 492, 371; D8/330, 331, 336, 338,
339, 341, 343; 292/31, 136, 202, 204, 209,
DIG. 37, DIG. 62

(57) **CLAIM**

I claim the ornamental design for a key operated cam lock
with three rounded cam arms, as shown and described.

(56) **References Cited**

DESCRIPTION

U.S. PATENT DOCUMENTS

D. 352,884 11/1994 Schlack D8/331
D. 364,549 * 11/1995 Myers D8/331
D. 410,190 5/1999 Freck D8/331
3,541,819 * 11/1970 Kerr 70/491
3,581,534 6/1971 Testa 70/383

FIG. 1 is a front view showing my new design;

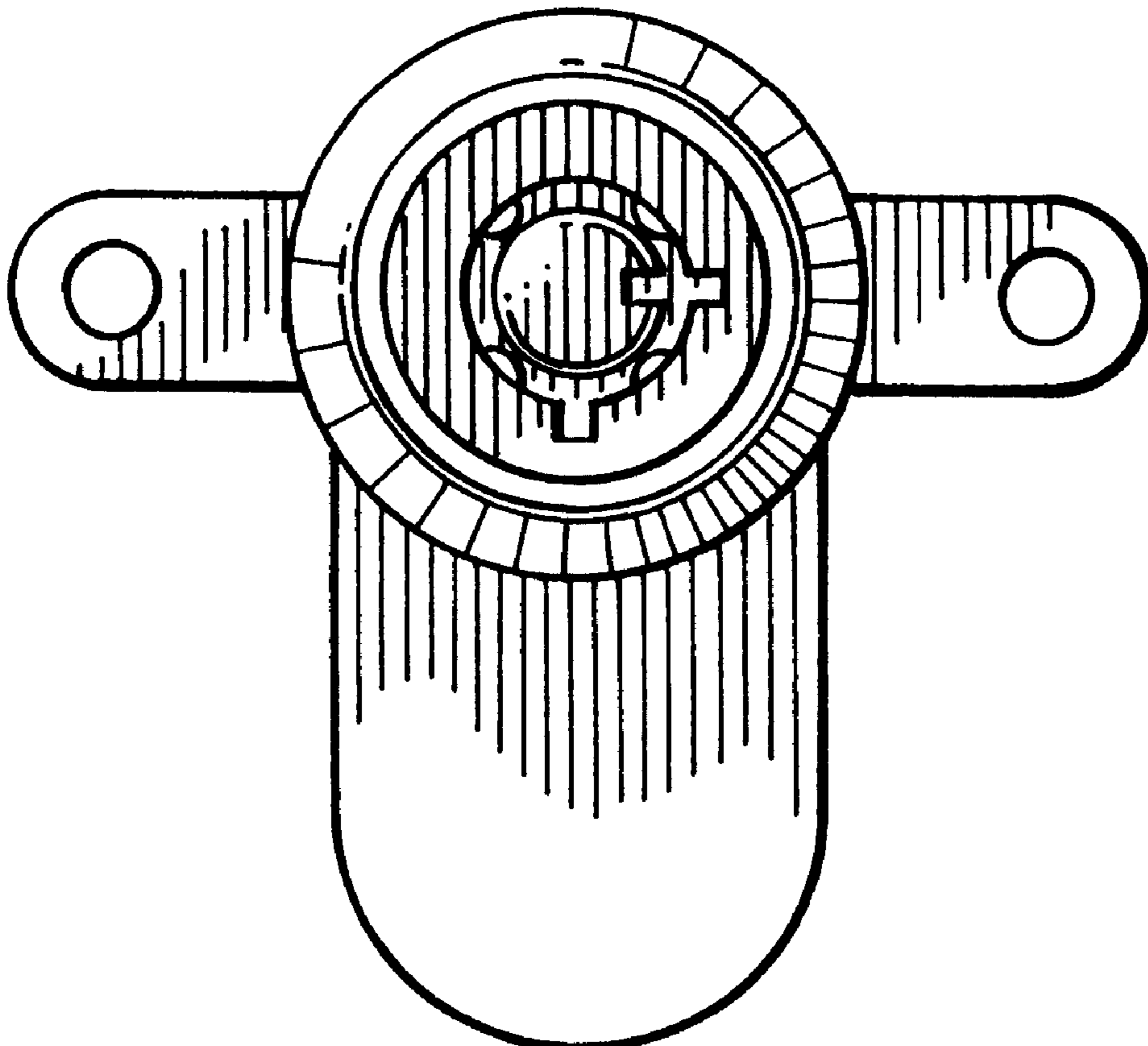
FIG. 2 is a right side view thereof, it being understood that
a left side view is a mirror image reversal of the right side
view;

FIG. 3 is a rear view thereof;

FIG. 4 is a top view thereof; and,

FIG. 5 is a bottom view thereof.

1 Claim, 2 Drawing Sheets



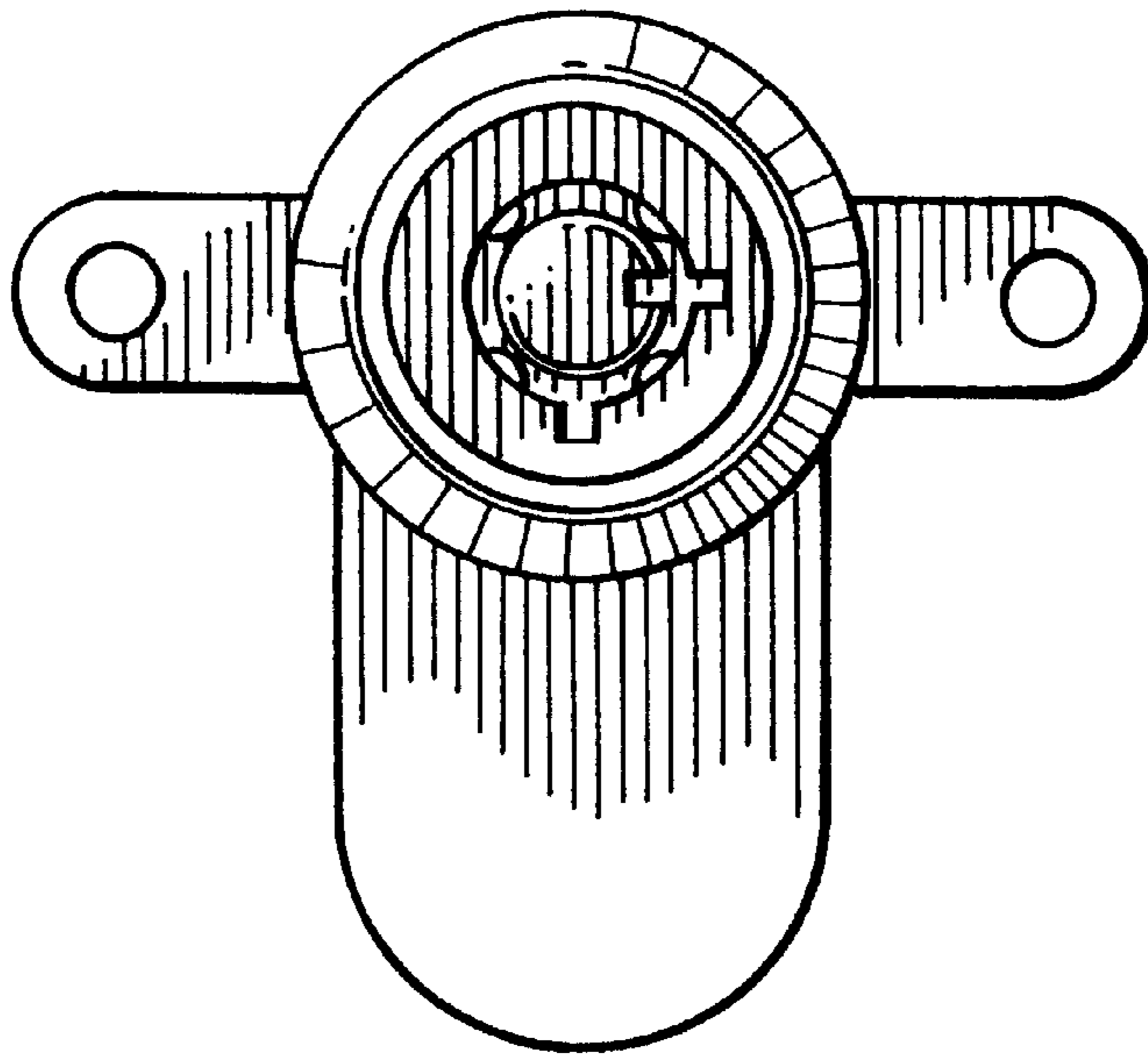


FIG. 1

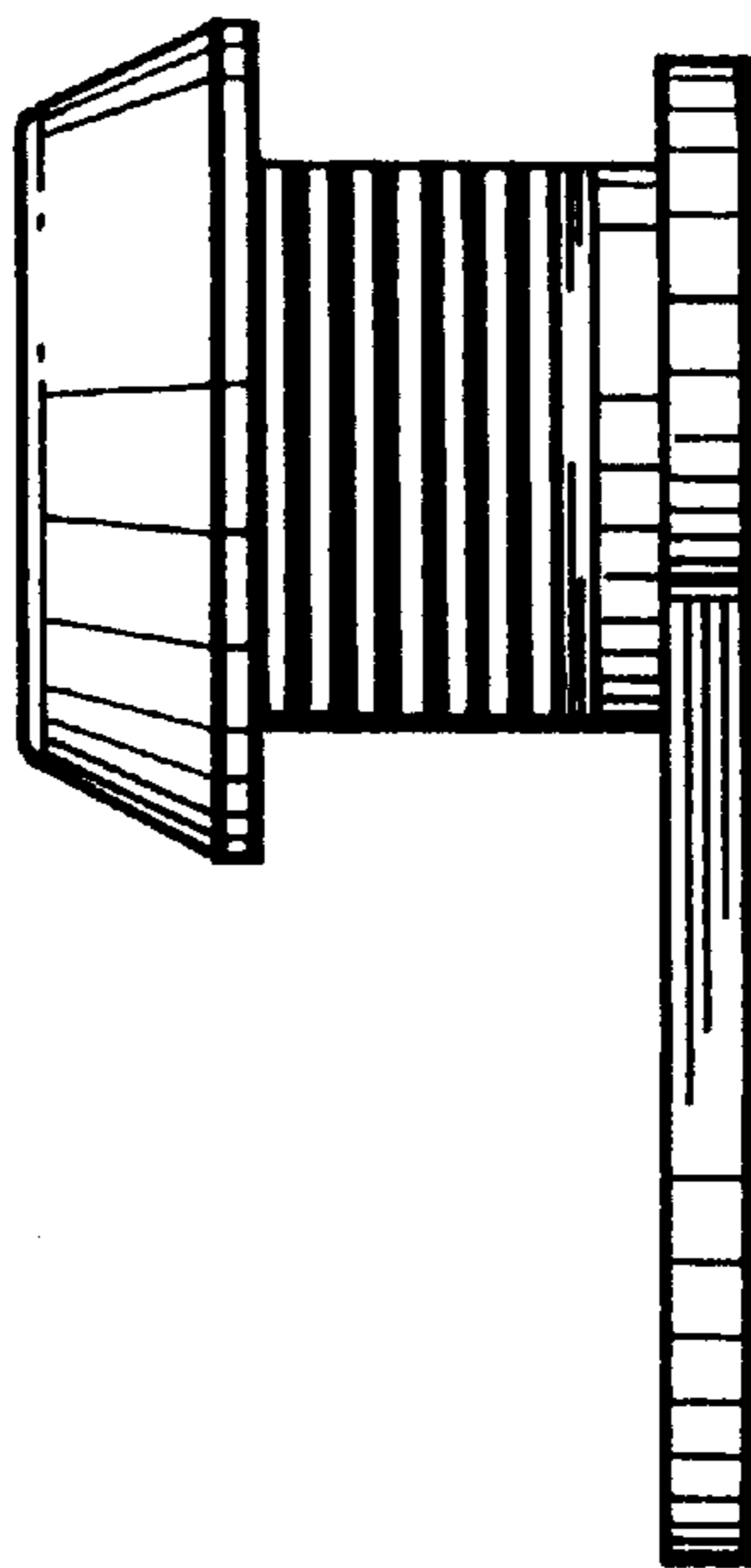


FIG. 2

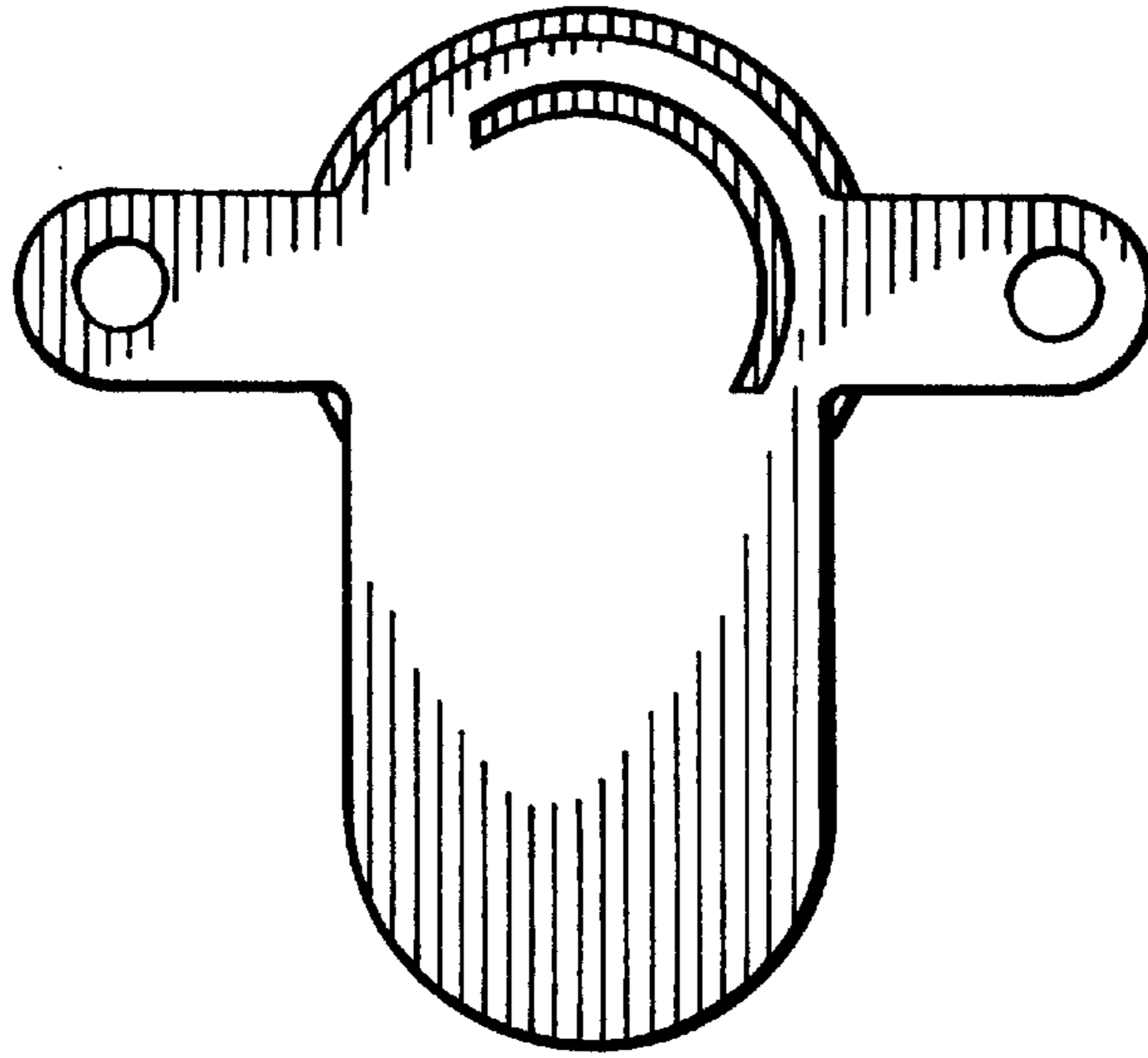


FIG. 3

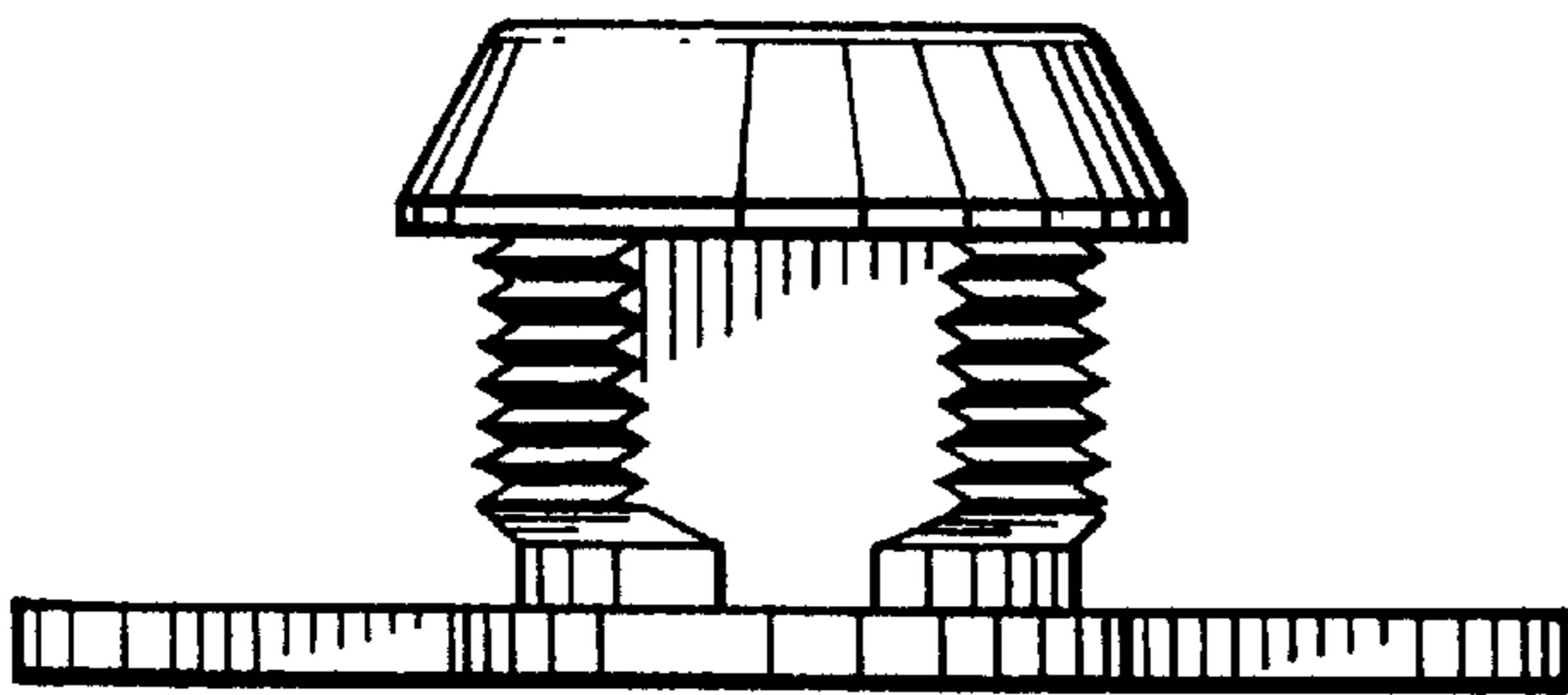


FIG. 4

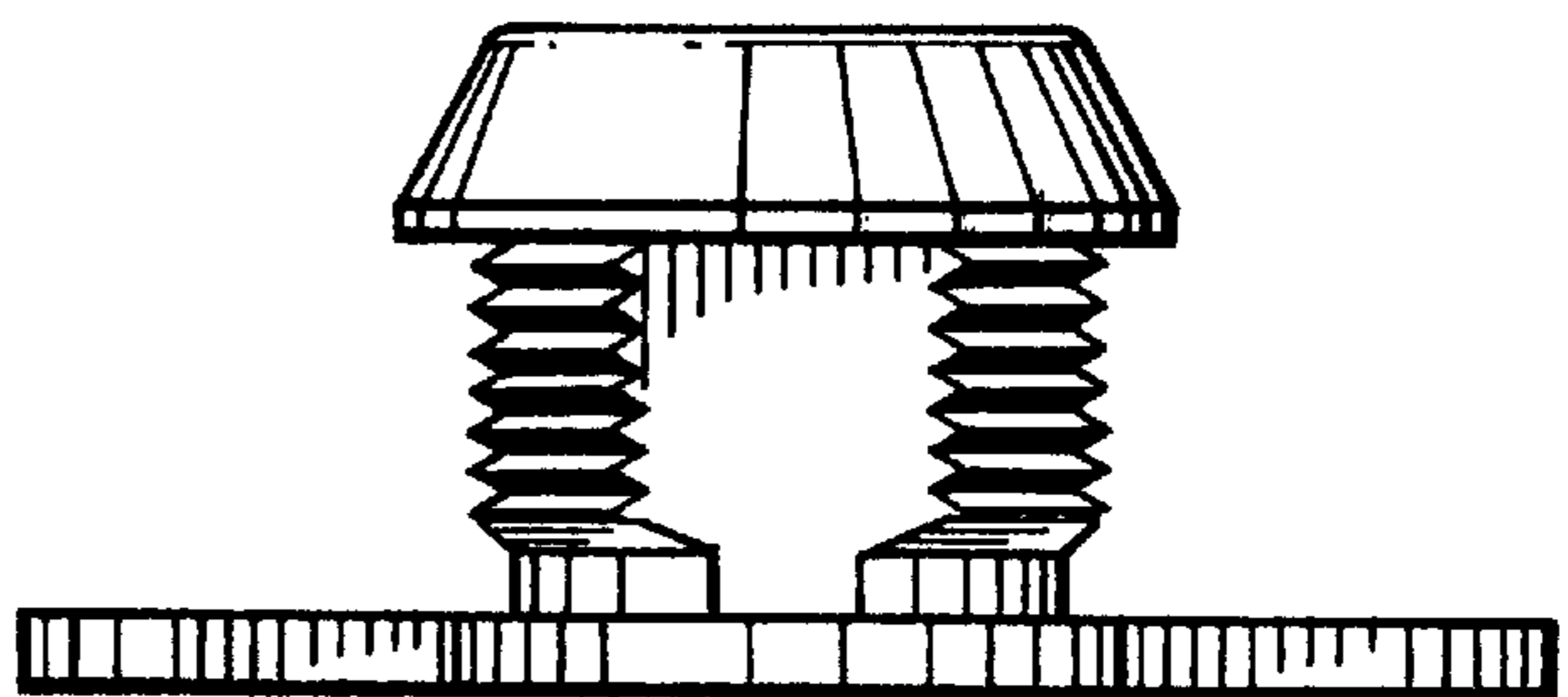


FIG. 5