



US00D448272B1

(12) **United States Design Patent**
Miller

(10) **Patent No.:** **US D448,272 S**

(45) **Date of Patent:** **** Sep. 25, 2001**

(54) **DOOR PULL**

(75) Inventor: **Craig Miller**, Leawood, KS (US)

(73) Assignee: **The Group Legacy L.C.**, Kansas City, MO (US)

(**) Term: **14 Years**

(21) Appl. No.: **29/136,279**

(22) Filed: **Jan. 26, 2001**

(51) **LOC (7) Cl.** **08-06**

(52) **U.S. Cl.** **D8/320; D8/319**

(58) **Field of Search** **D8/300-302, 315-320; 16/110.1, 412, 415, 443-446, 419, 420**

(56) **References Cited**

U.S. PATENT DOCUMENTS

- D. 179,001 * 10/1956 Heyer .
- D. 268,321 * 3/1983 Tegner D8/317
- D. 274,123 * 6/1984 Tegner D8/316
- D. 299,110 * 12/1988 Jans D8/316
- D. 337,507 * 7/1993 Jans D8/316

OTHER PUBLICATIONS

Brass Furniture Fittings Brochure; p. 2; pull model P5.*

* cited by examiner

Primary Examiner—B. J. Bullock

(74) *Attorney, Agent, or Firm*—Hovey, Williams, Timmons & Collins

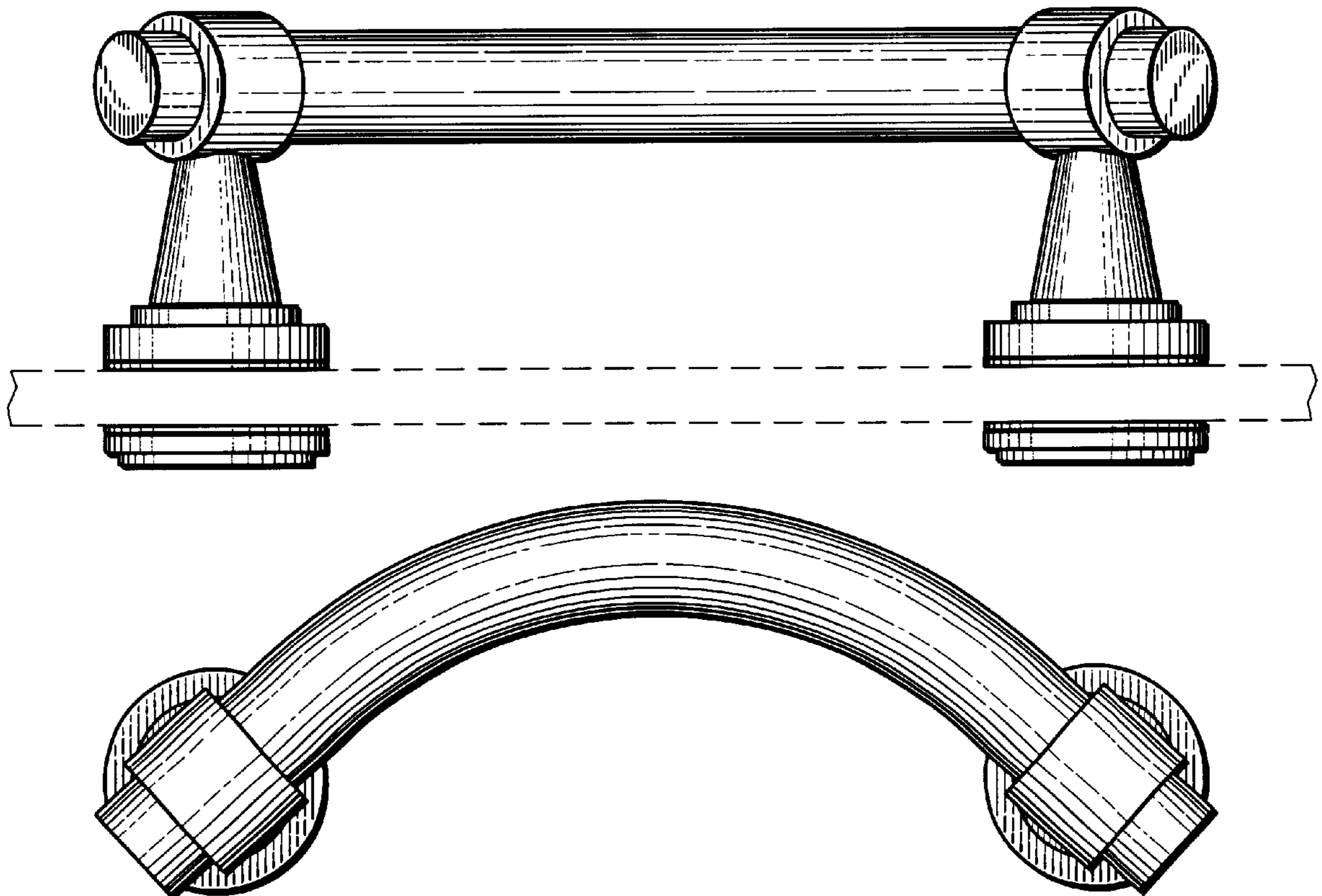
(57) **CLAIM**

The ornamental design for a door pull, as shown and described.

DESCRIPTION

FIG. 1 is a right side elevational view of my ornamental design for a door pull, a door to which the pull may be attached being shown in broken lines to illustrate the environment of use and forming no part of the invention; FIG. 2 is a front elevational view thereof; FIG. 3 is a left side elevational view thereof; FIG. 4 is a rear elevational view thereof; and, FIG. 5 is an end elevational view thereof, the other end being a mirror image thereof.

1 Claim, 1 Drawing Sheet



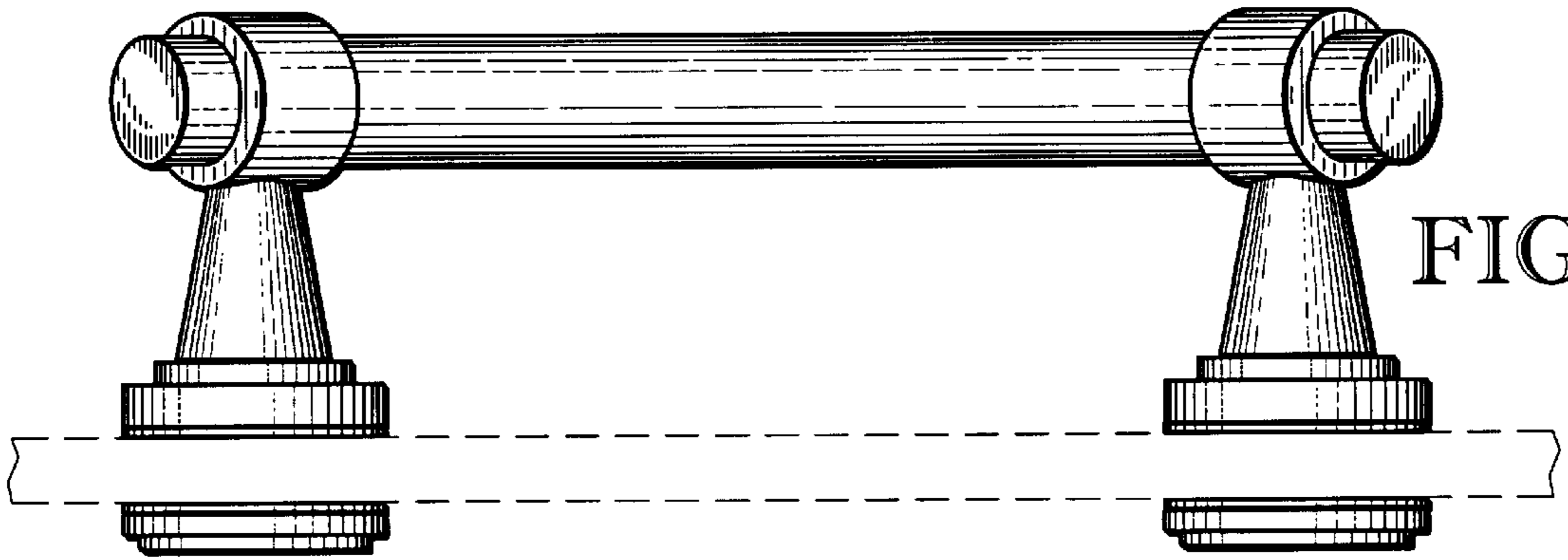


FIG. 1

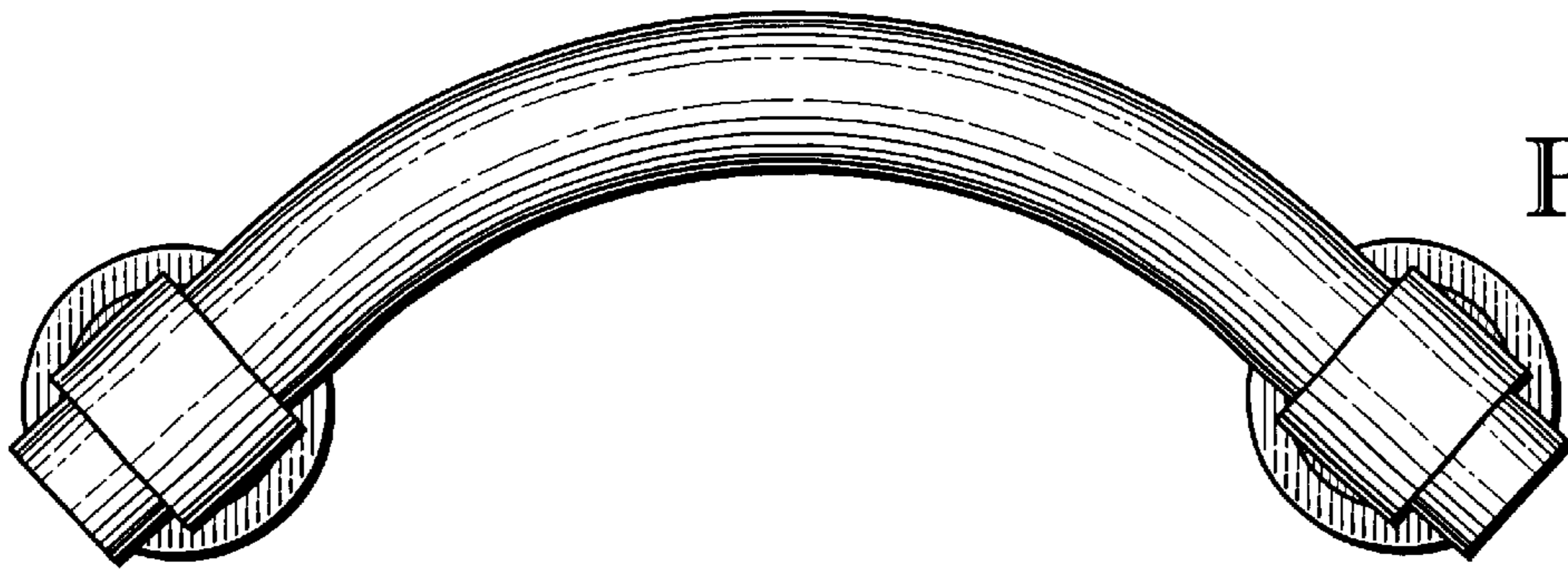


FIG. 2

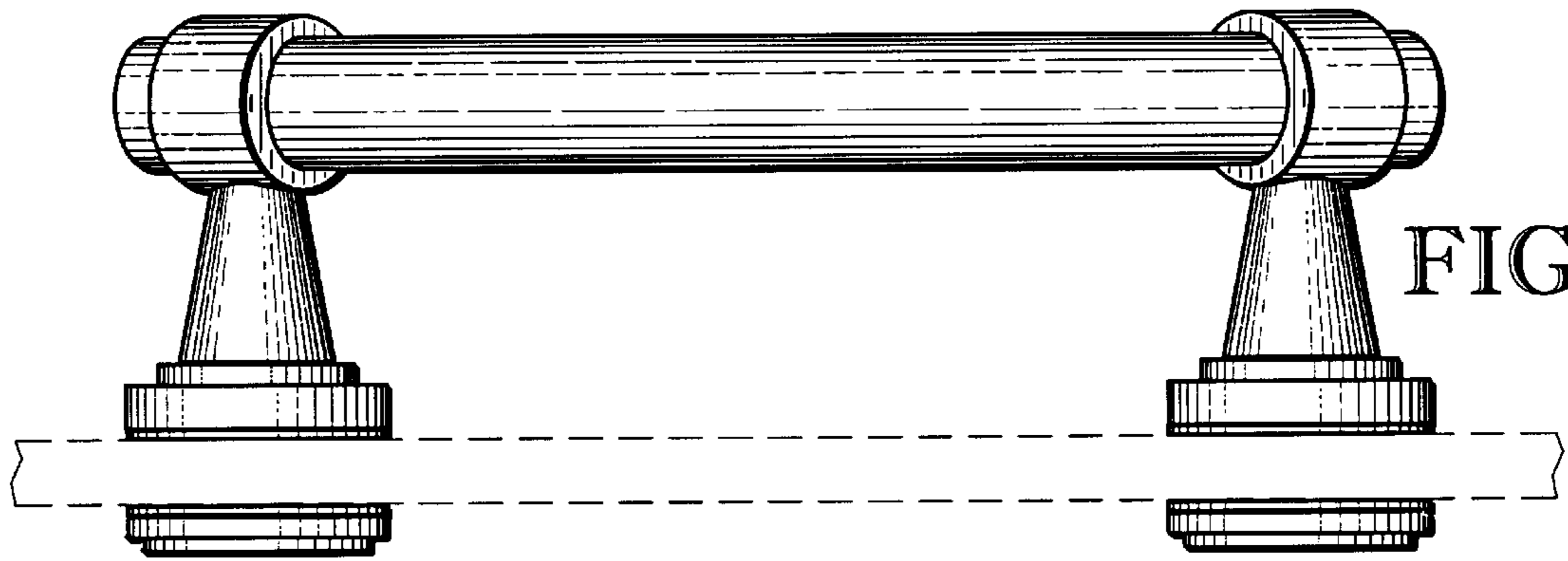


FIG. 3

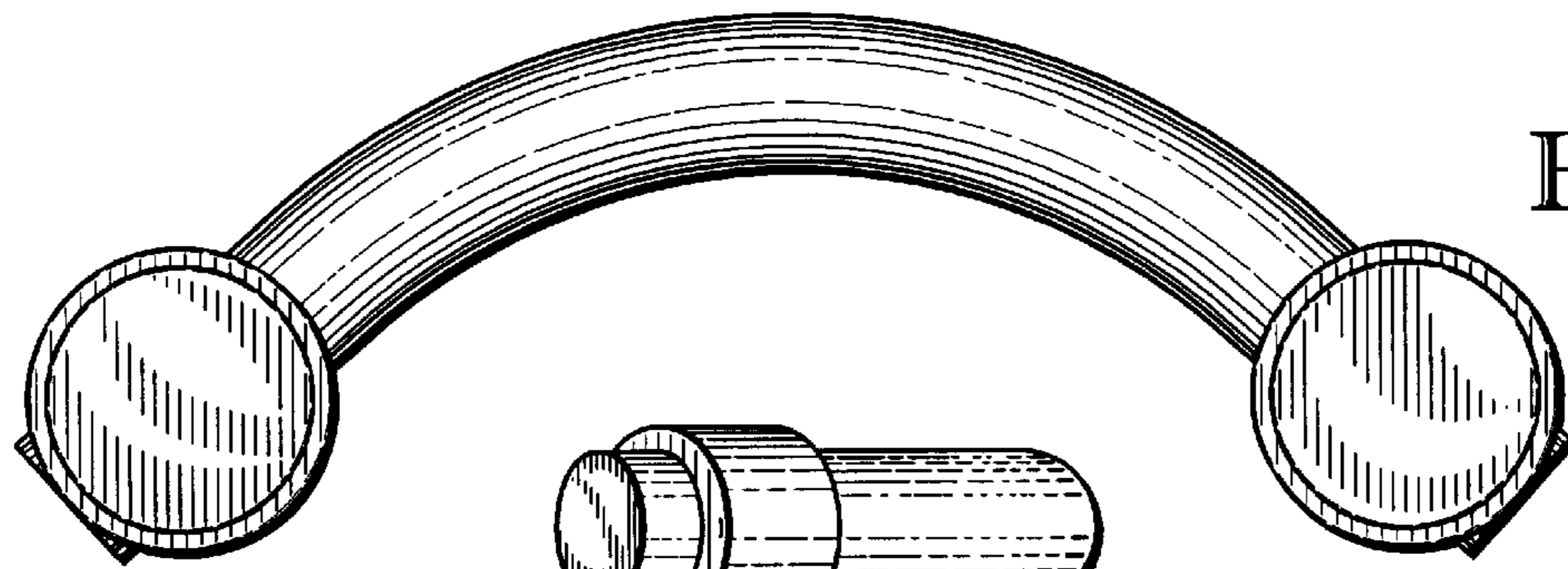


FIG. 4

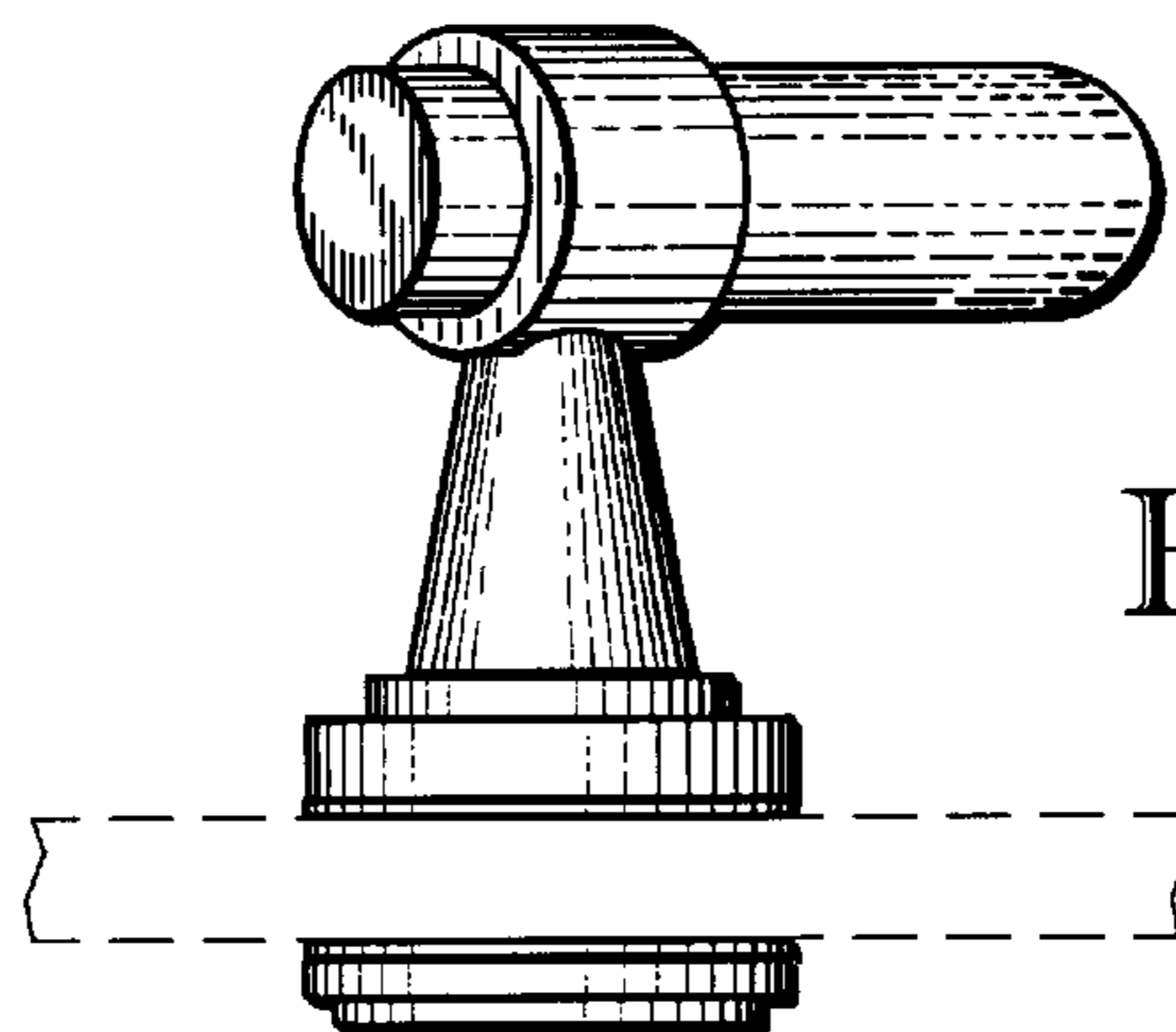


FIG. 5