



US00D448269B1

(12) **United States Design Patent**
Willems

(10) **Patent No.:** **US D448,269 S**

(45) **Date of Patent:** **** Sep. 25, 2001**

(54) **SPRUNG SURFACE HANDLE**

(75) **Inventor:** **Roger P. Willems**, Bucks (GB)

(73) **Assignee:** **Penn Fabrication (U.S.A.) Inc.**,
Oxnard, CA (US)

(**) **Term:** **14 Years**

(21) **Appl. No.:** **29/137,831**

(22) **Filed:** **Feb. 28, 2001**

(51) **LOC (7) Cl.** **08-06**

(52) **U.S. Cl.** **D8/301; D8/306; D8/353**

(58) **Field of Search** **D8/300-302, 306,**
D8/315-320, 353; 16/408, 409, 411, 110.1,
412, 415, 419, 420, 444.6; 190/39

(56) **References Cited**

U.S. PATENT DOCUMENTS

- D. 25,171 * 2/1896 Terry .
- D. 214,778 * 7/1969 Solie .
- 339,587 * 4/1886 Rush .
- 624,025 5/1899 Held .
- 890,102 * 6/1908 Skahen .
- 1,446,137 * 2/1923 Thompson .
- 2,715,243 8/1955 Koll .
- 2,767,424 10/1956 Knuepfer .
- 3,447,195 6/1969 Bush .

- 3,572,870 3/1971 Marks .
- 4,775,072 10/1988 Lundblade .
- 5,309,614 5/1994 MacKirdy .
- 5,400,470 3/1995 Kammersgard .
- 5,469,945 11/1995 Jserng .

OTHER PUBLICATIONS

Penn Fabrication 1998 Collection, pp. 26-27, published in the U.S., showing recessed handles and sprung surface handles.

* cited by examiner

Primary Examiner—B. J. Bullock

(74) *Attorney, Agent, or Firm*—Robert D. Hornbaker

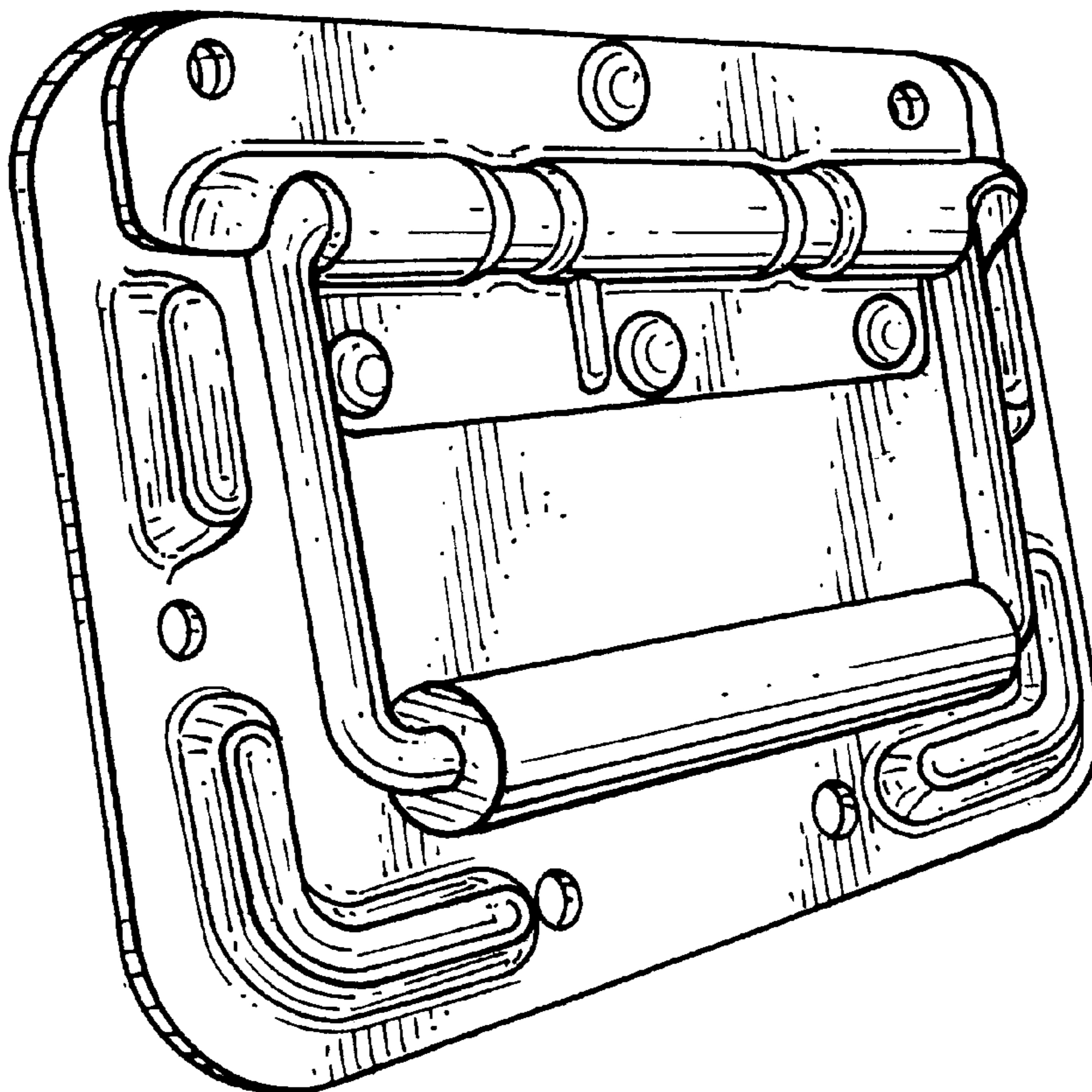
(57) **CLAIM**

The ornamental design for a sprung surface handle, as shown.

DESCRIPTION

FIG. 1 is a perspective view;
FIG. 2 is a front view;
FIG. 3 is a right side view, the left side view being a mirror image;
FIG. 4 is a rear view;
FIG. 5 is a top view; and,
FIG. 6 is a bottom view.

1 Claim, 2 Drawing Sheets



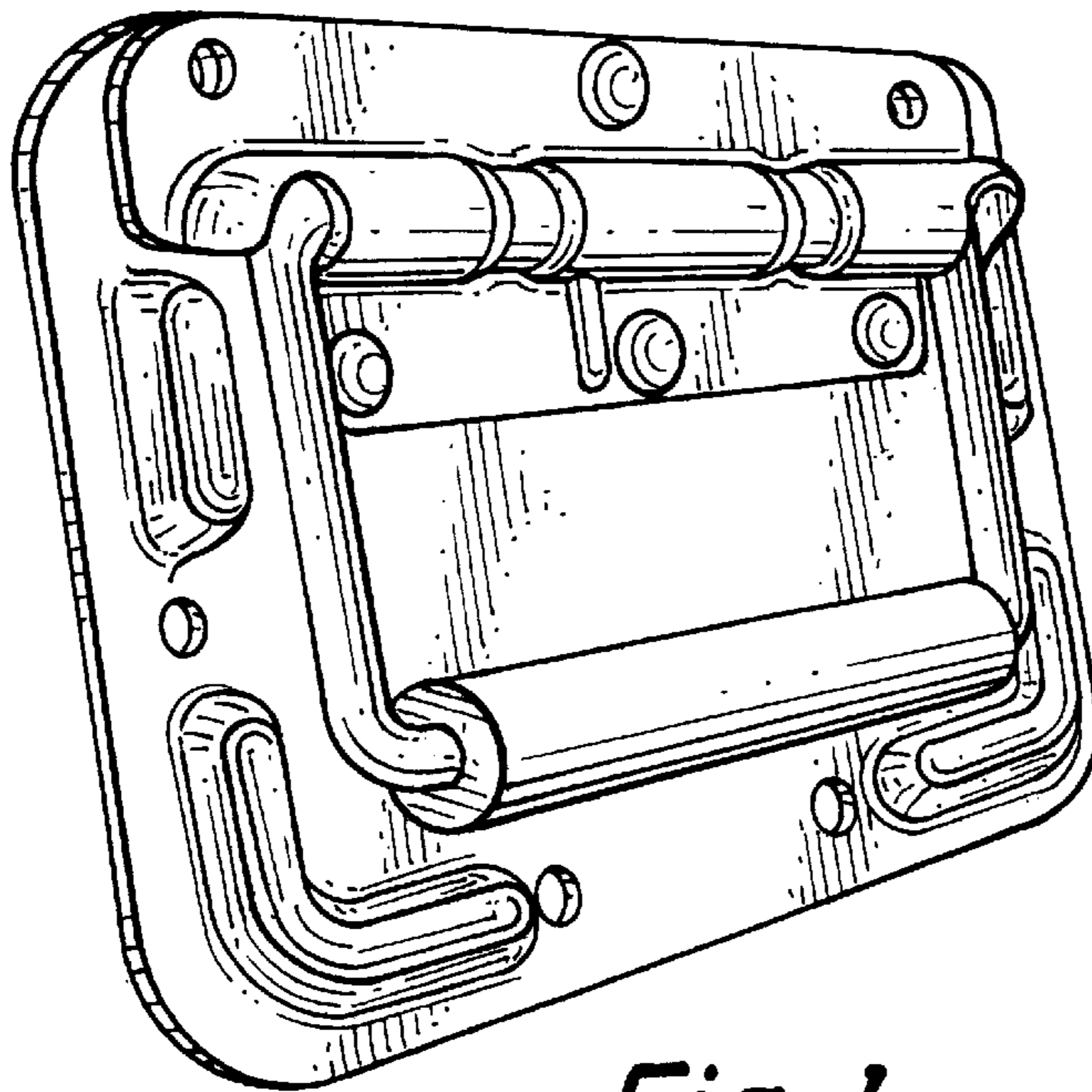


Fig. 1.

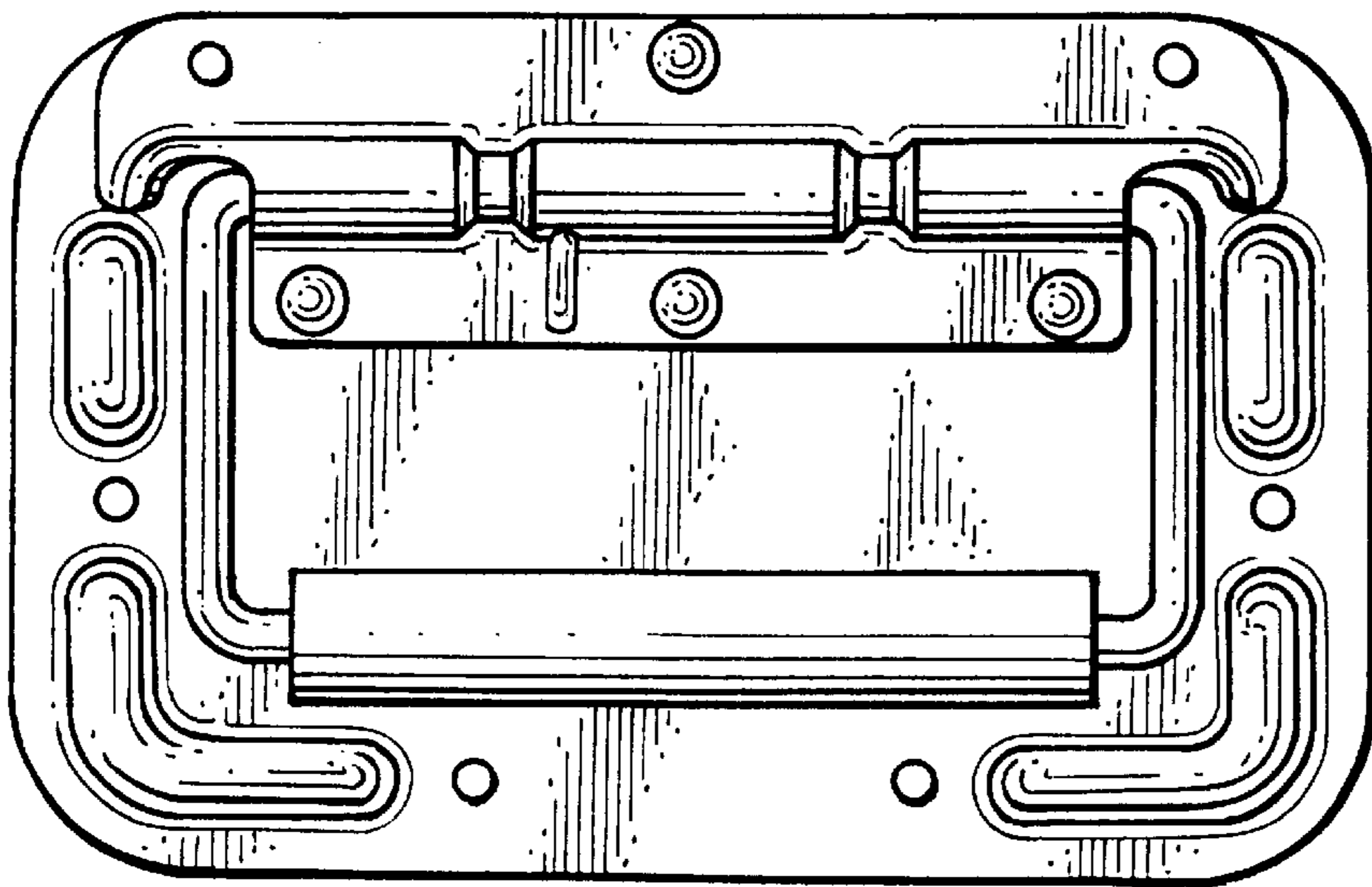


Fig. 2.

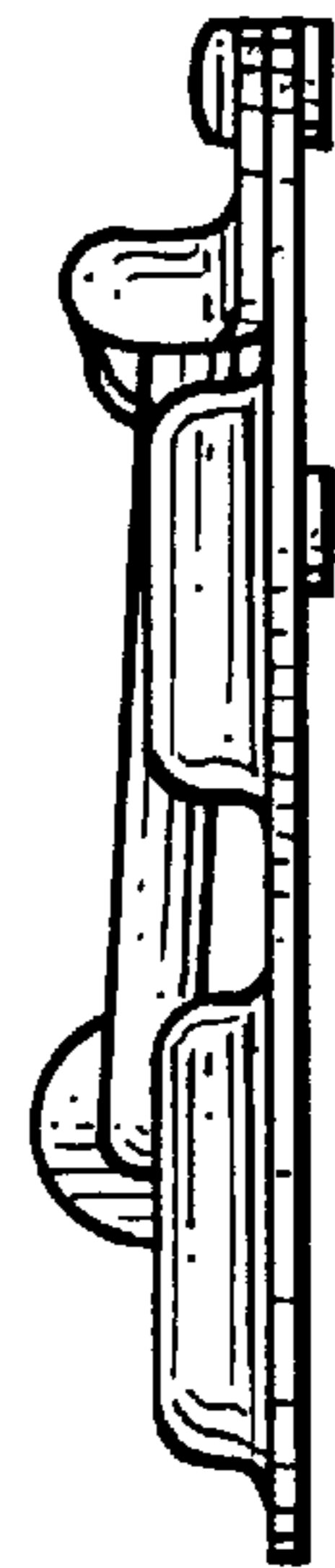


Fig. 3.

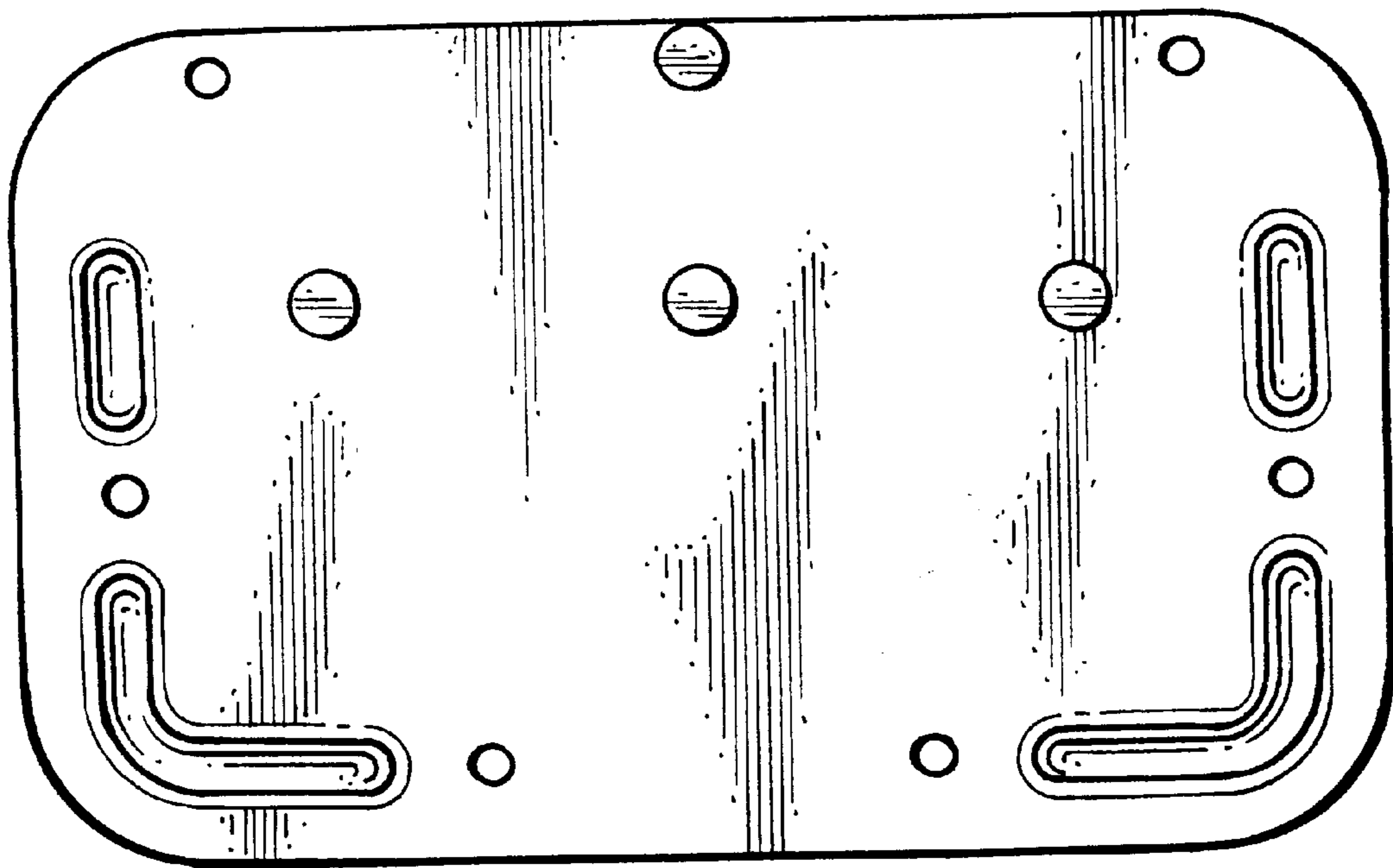


Fig. 4.

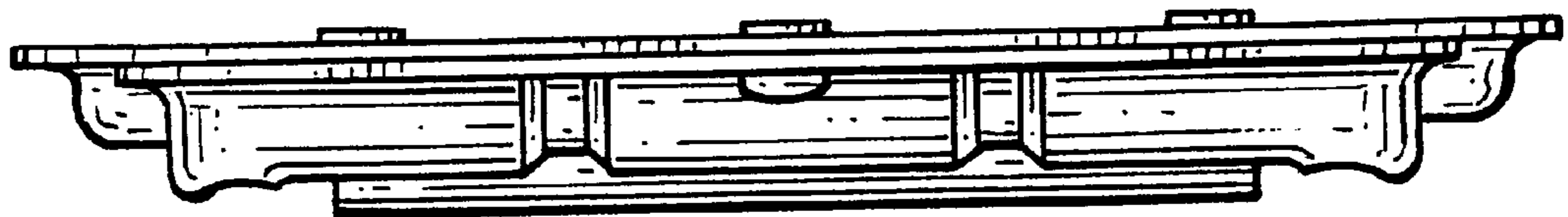


Fig. 5.

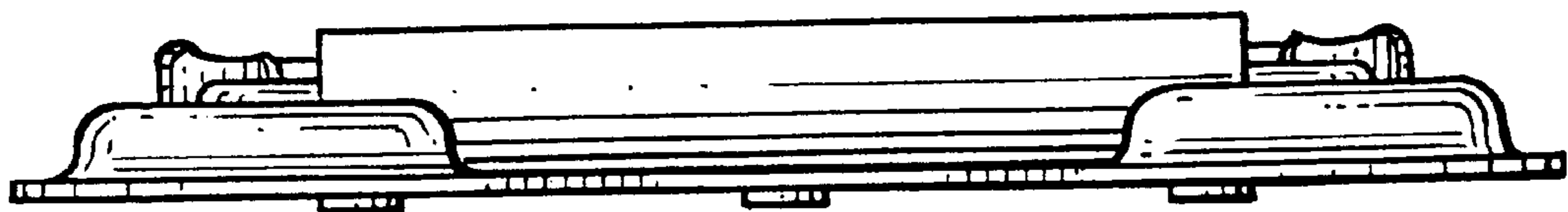


Fig. 6.