



US00D448267B1

(12) **United States Design Patent**
Jean et al.

(10) **Patent No.: US D448,267 S**

(45) **Date of Patent: ** Sep. 25, 2001**

(54) **MULTIFUNCTIONAL KNIFE SET**

(76) Inventors: **John Kai Jean**, 1F, No. 15, Alley 36,
Lane 17, Ho-Ping Rd., Lu-Chou City,
Taipei Hsien; **Henry Lin**, 3F, No. 329,
Lung-Chiang Rd., Taipei, both of (TW)

(**) Term: **14 Years**

(21) Appl. No.: **29/138,700**

(22) Filed: **Mar. 20, 2001**

(51) **LOC (7) Cl. 08-05**

(52) **U.S. Cl. D8/105**

(58) **Field of Search** D8/14, 21, 26,
D8/27, 28, 29, 40, 43, 45, 55, 81, 87, 105,
107; D10/62, 68; D32/40, 46, 49; 7/105,
118, 143, 147, 155, 164, 167, 168, 169,
170; 15/105, 121, 236.01, 236.03, 236.05,
236.07, 236.08, 236.09; 30/143, 152, 153,
155, 161, 164, 319, 354, 355 R; 81/20,
21, 98, 99, 440, 490; 206/234, 803; 346/8;
368/10, 28, 29, 82, 83, 101, 239, 242, 276,
277, 278; 446/28

(56) **References Cited**

U.S. PATENT DOCUMENTS

D. 306,393 * 3/1990 Malochet D8/107
D. 357,166 * 4/1995 Concari D8/107

D. 383,048 * 9/1997 Sorensen et al. D8/105
D. 389,030 * 1/1998 Wensley D8/107
D. 407,621 * 4/1999 Koon et al. D8/106
D. 410,189 * 5/1999 Wehrs et al. D8/105
D. 421,373 * 3/2000 Hollinger D8/43
D. 433,915 * 11/2000 Elsener, Sr. D8/105
610,530 * 9/1898 Hammesfahr 7/155
899,408 * 9/1908 Kampfe 30/152
924,796 * 7/1909 Klever 30/152

* cited by examiner

Primary Examiner—Doris V. Coles

Assistant Examiner—T. Chase Nelson

(74) *Attorney, Agent, or Firm*—Bacon & Thomas PLLC

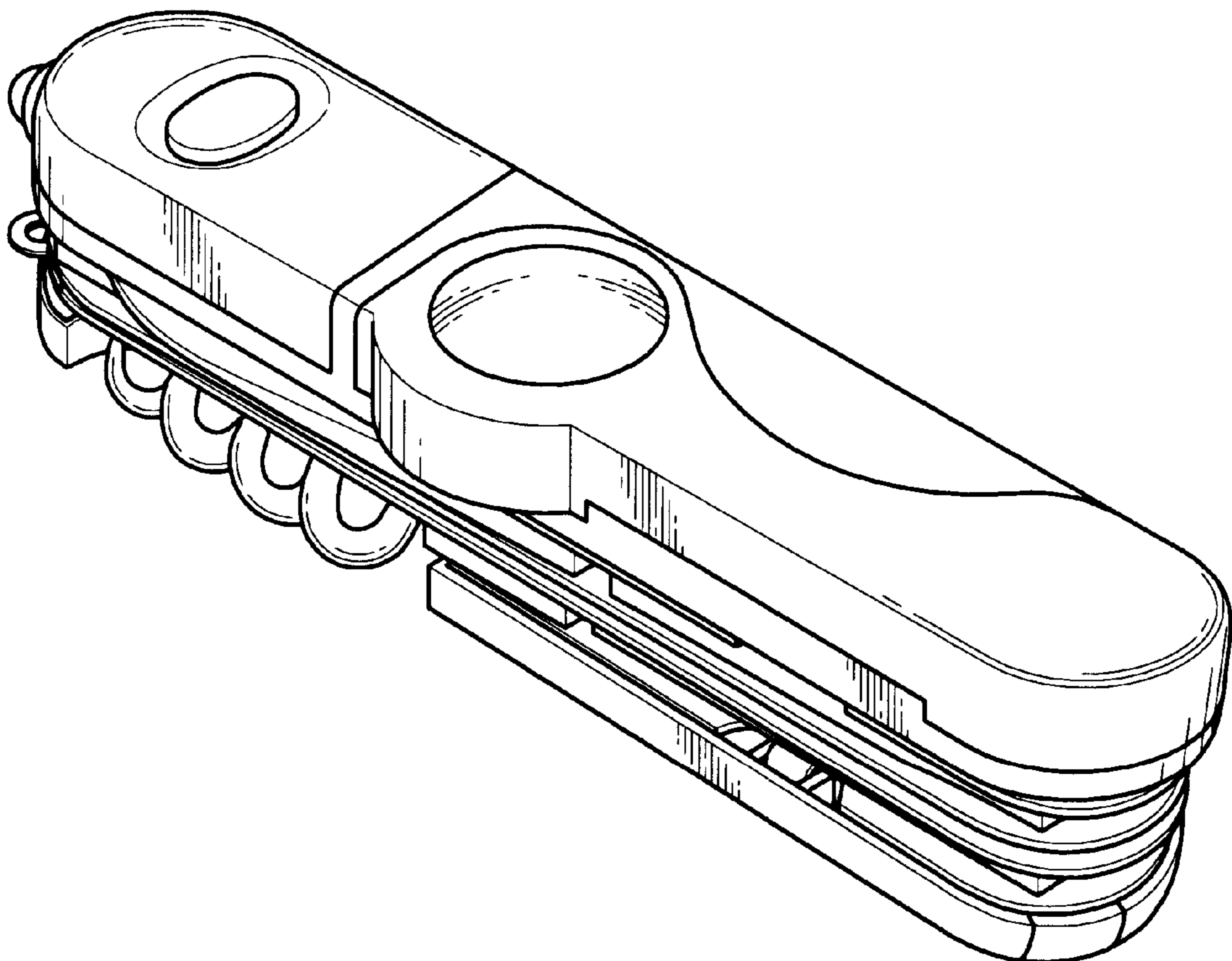
(57) **CLAIM**

The ornamental design for a multifunctional knife set, as shown and described.

DESCRIPTION

FIG. 1 is a perspective view of multifunctional knife set showing our new design thereof;
FIG. 2 is a right side elevational view thereof;
FIG. 3 is a top plan view thereof;
FIG. 4 is a front elevational view thereof;
FIG. 5 is a bottom plan view thereof;
FIG. 6 is a left side elevational view thereof; and,
FIG. 7 is a rear elevational view thereof.

1 Claim, 6 Drawing Sheets



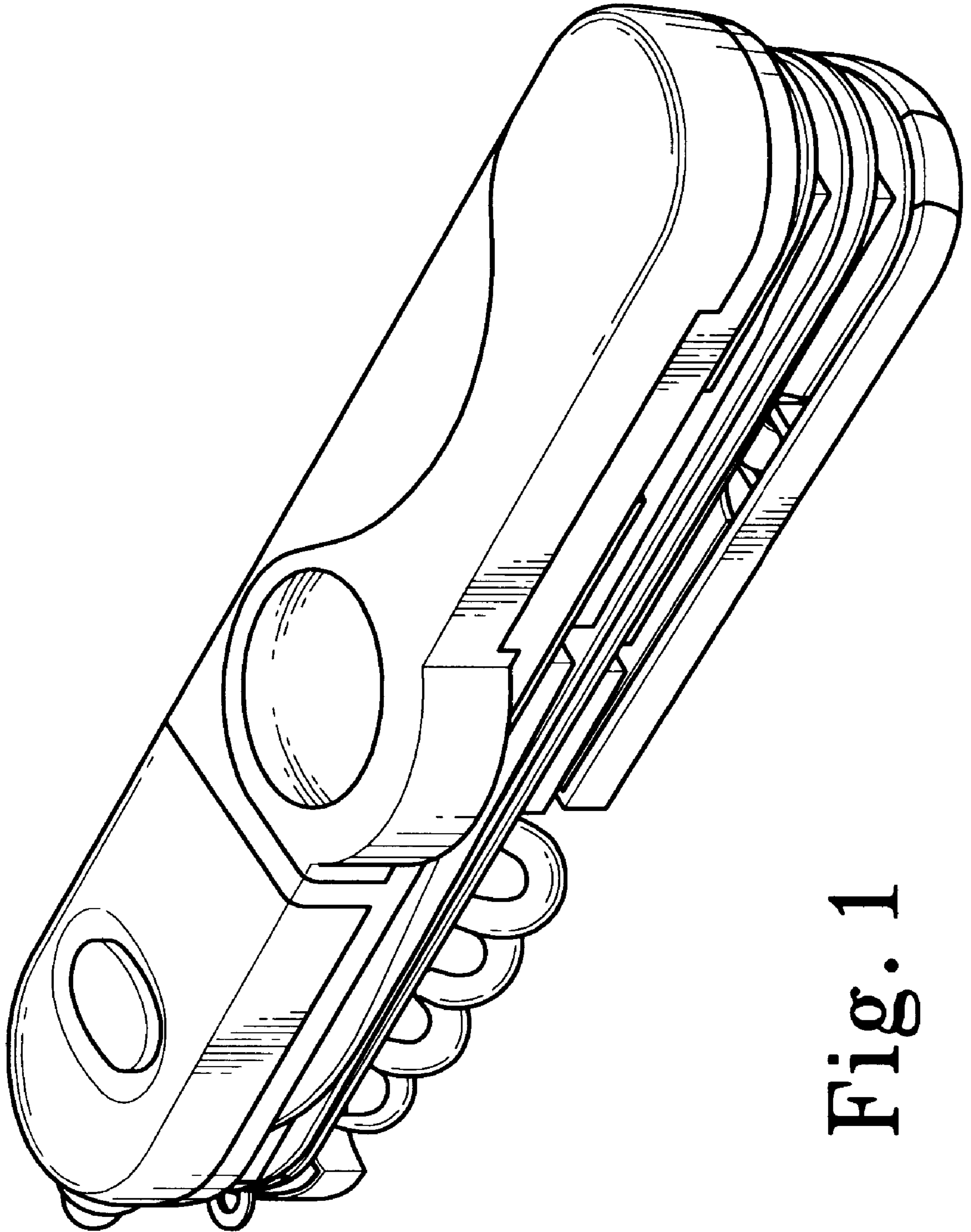


Fig. 1

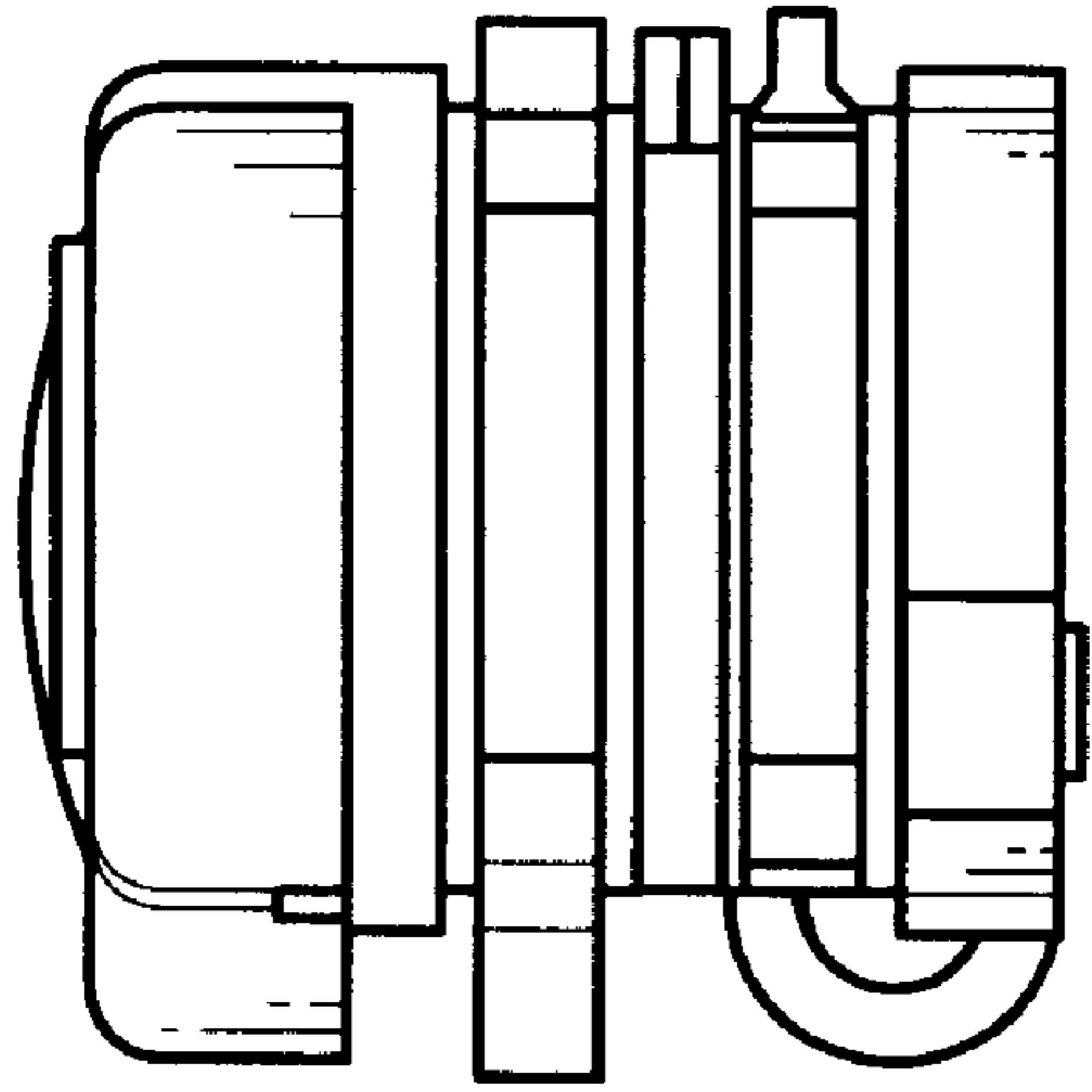


Fig. 2

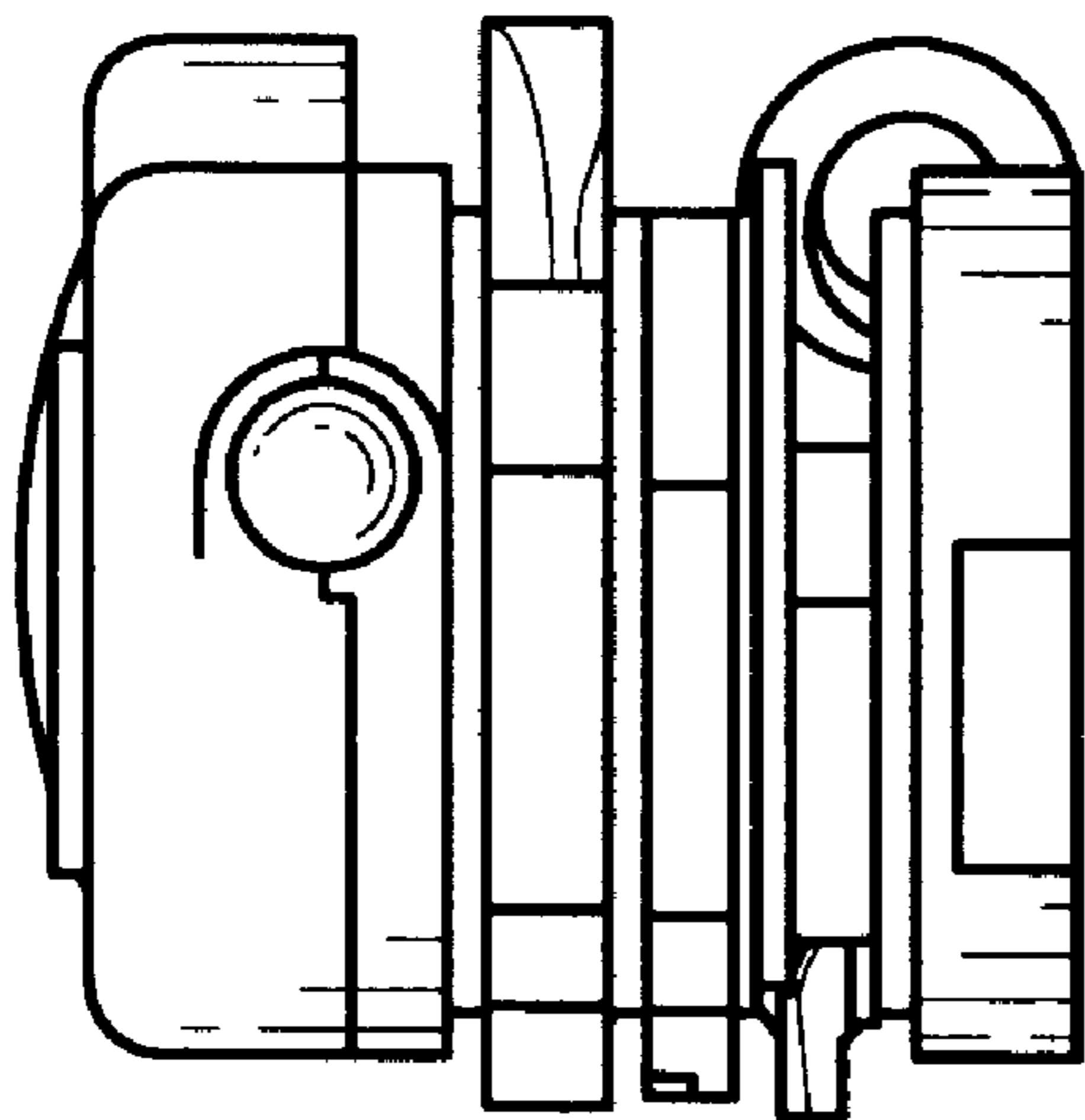


Fig. 6

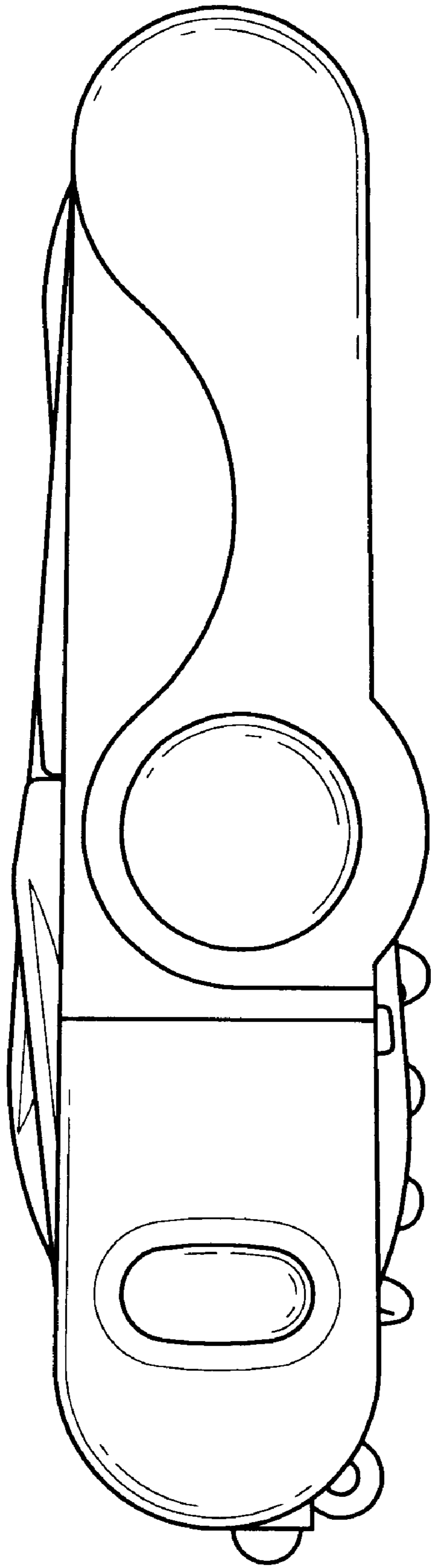


Fig. 3

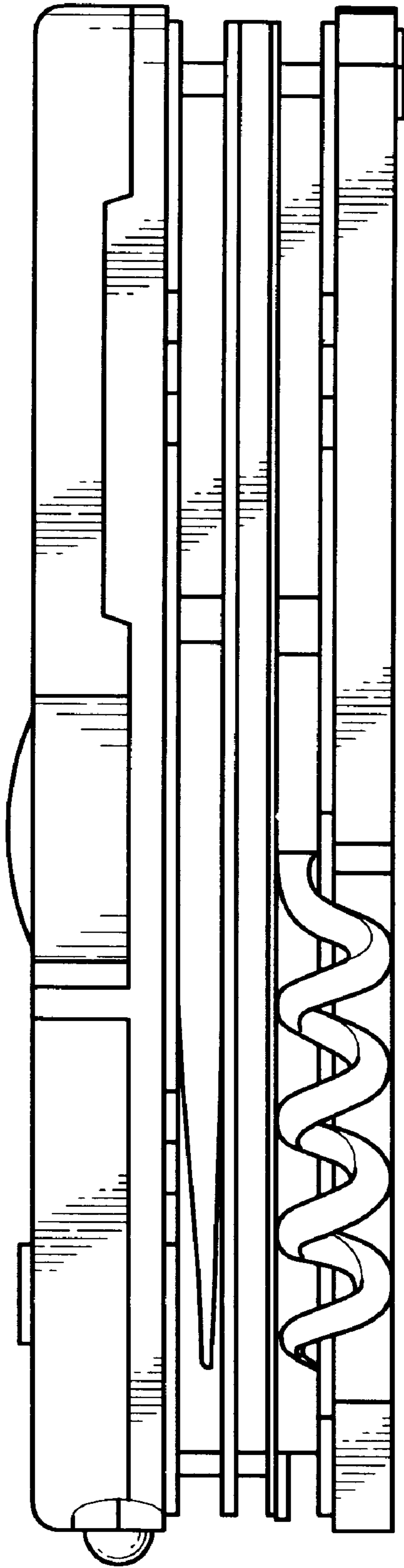


Fig. 4

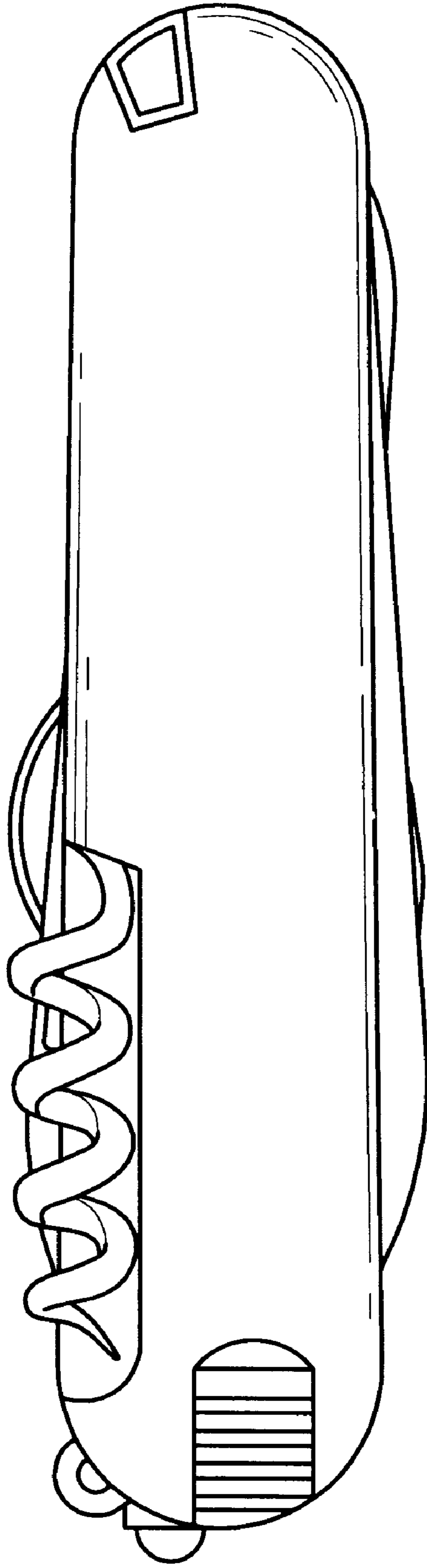


Fig. 5

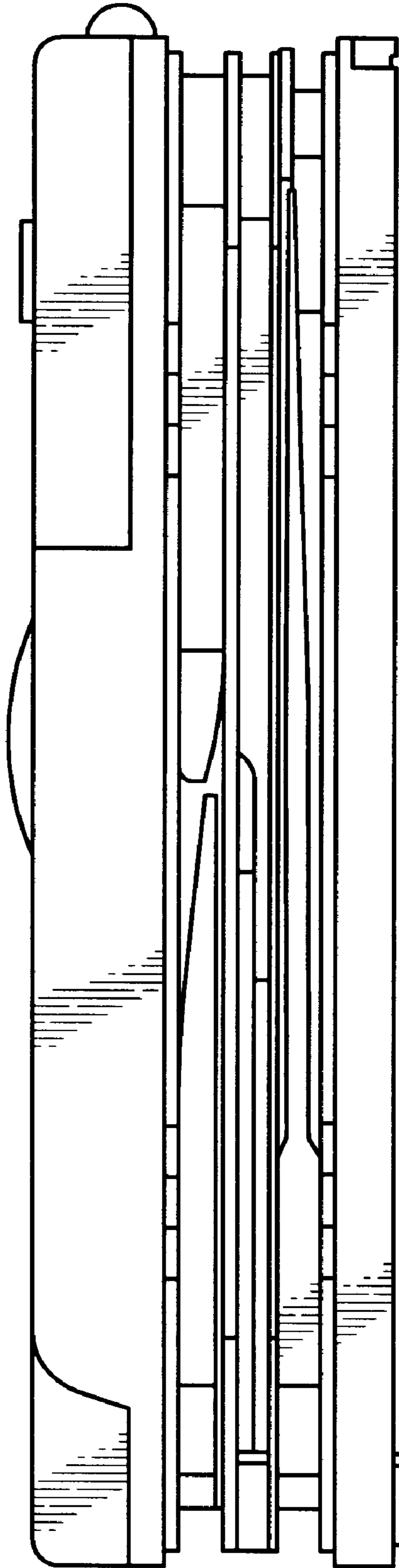


Fig. 7