



US00D448263B1

(12) **United States Design Patent**
Heun

(10) **Patent No.:** **US D448,263 S**

(45) **Date of Patent:** **** Sep. 25, 2001**

(54) **ELECTRIC TRIMMER**

(75) **Inventor:** **Ping Hay Heun, Aberdeen (HK)**

(73) **Assignee:** **Chang Noon Electric Appliance Mfy., Ltd., Aberdeen (HK)**

(**) **Term:** **14 Years**

(21) **Appl. No.:** **29/134,512**

(22) **Filed:** **Dec. 26, 2000**

(30) **Foreign Application Priority Data**

Jun. 30, 2000 (GB) 2093908

(51) **LOC (7) Cl.** **08-01**

(52) **U.S. Cl.** **D8/67**

(58) **Field of Search** D8/61-70; 81/57.11, 81/54, 57.42; 173/170, 217, 169, 216, 213, 164; 451/357-359, 344; 310/50; 409/182; 144/154.5, 136.95, 252.1

(56) **References Cited**

U.S. PATENT DOCUMENTS

Re. 33,045	*	9/1989	Gronholz et al.	144/154.5
D. 286,131	*	10/1986	Yamamoto	D8/67
D. 286,132	*	10/1986	Yamamoto	D8/67
D. 300,501	*	4/1989	Zurwelle	D8/67
D. 329,181	*	9/1992	Noda et al.	D8/67
D. 416,460	*	11/1999	Bosten et al.	D8/67
2,562,143	*	7/1951	Godfrey et al.	144/136.95 X
2,587,994	*	3/1952	Gregory	144/136.9 X
2,717,013	*	9/1955	Zwalenburg	144/136.95 X
2,726,690	*	12/1955	Schacher	144/137

3,119,207	*	1/1964	Nall	144/154.5
3,443,479	*	5/1969	Hawley et al.	409/182
4,044,805	*	8/1977	Gronholz	144/154.5
4,143,691	*	3/1979	Robinson	144/154.5
4,239,428	*	12/1980	Berzina	409/182
4,938,642	*	7/1990	Imahashi et al.	409/182
5,191,921	*	3/1993	McCurry	144/154.5
5,570,776	*	11/1996	Buchholz et al.	200/43.17
5,584,620	*	12/1996	Blickhan et al.	409/137
5,590,988	*	1/1997	Rusconi	409/182
5,921,730	*	7/1999	Young et al.	409/182
6,024,144	*	2/2000	Qian	144/252.1

* cited by examiner

Primary Examiner—Jeffrey Asch

(74) *Attorney, Agent, or Firm*—Leydig, Voit & Mayer, Ltd.

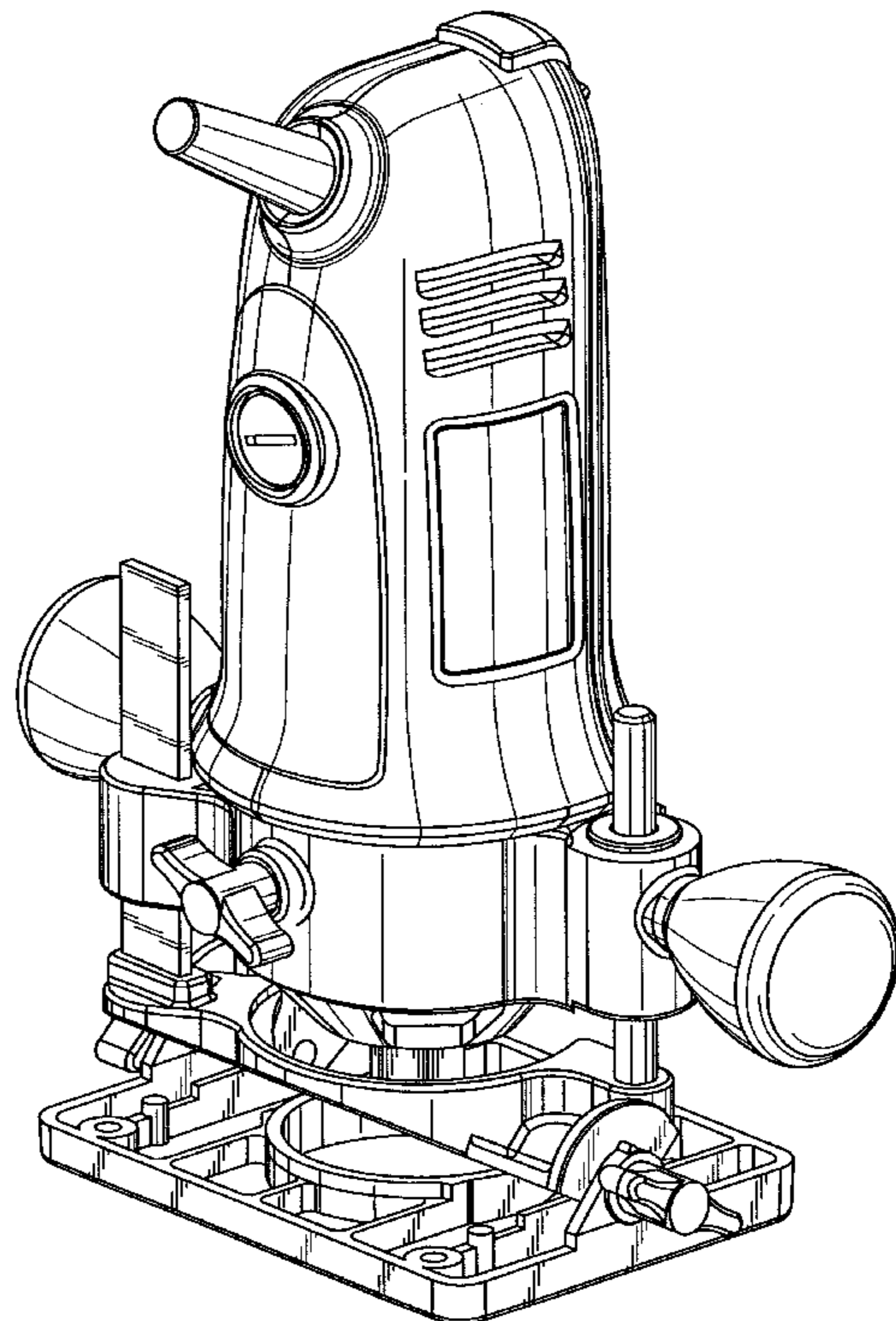
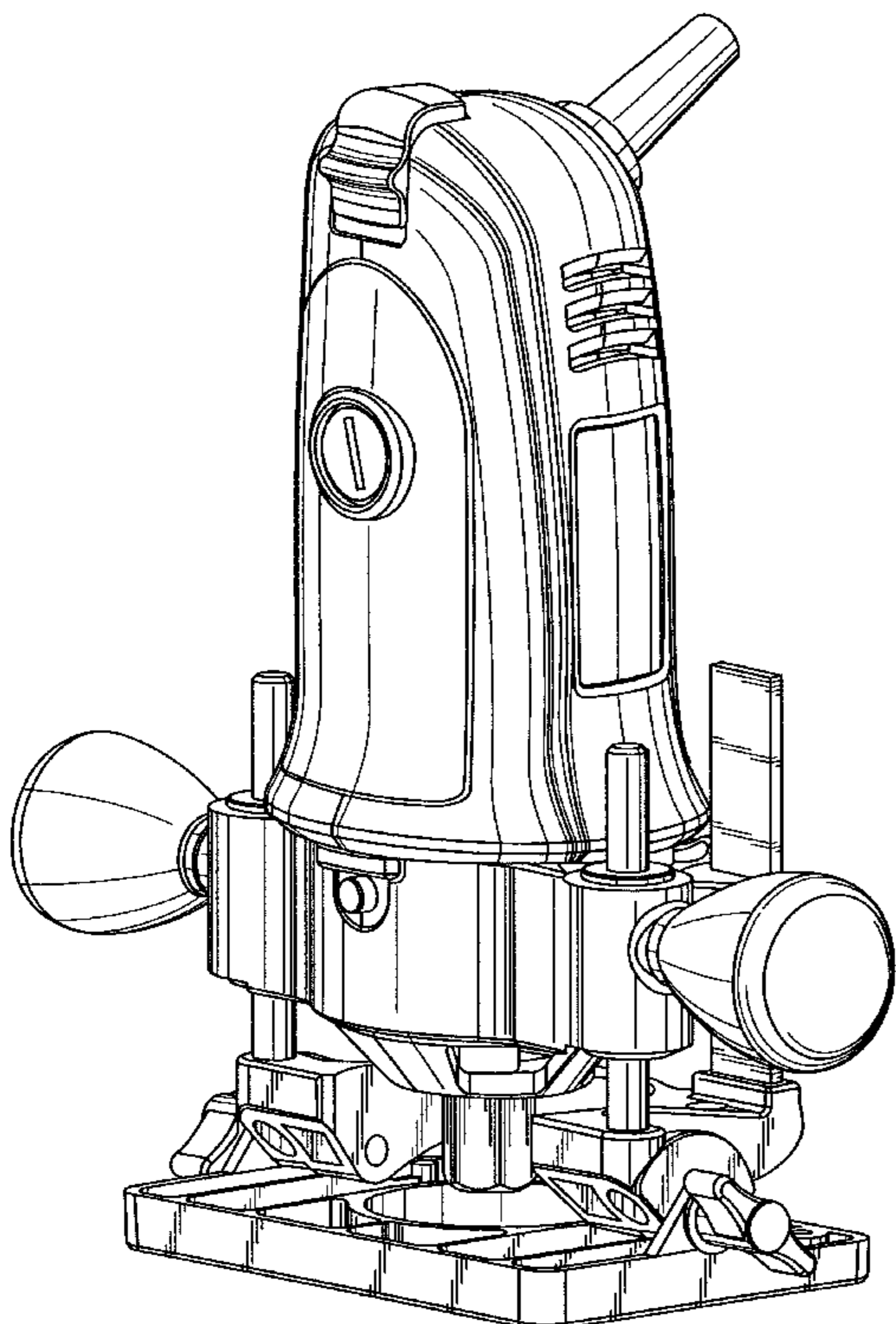
(57) **CLAIM**

The ornamental design for an electric trimmer, as shown and described.

DESCRIPTION

FIG. 1 is a front, one side and top perspective view of an electric trimmer showing my new design;
 FIG. 2 is a rear, opposite side and top perspective view thereof;
 FIG. 3 is a front elevational view thereof;
 FIG. 4 is a rear elevational view thereof;
 FIG. 5 is an elevational view showing one side thereof;
 FIG. 6 is an elevational view showing opposite side thereof;
 FIG. 7 is a top plan view thereof; and,
 FIG. 8 is a bottom plan view thereof.

1 Claim, 7 Drawing Sheets



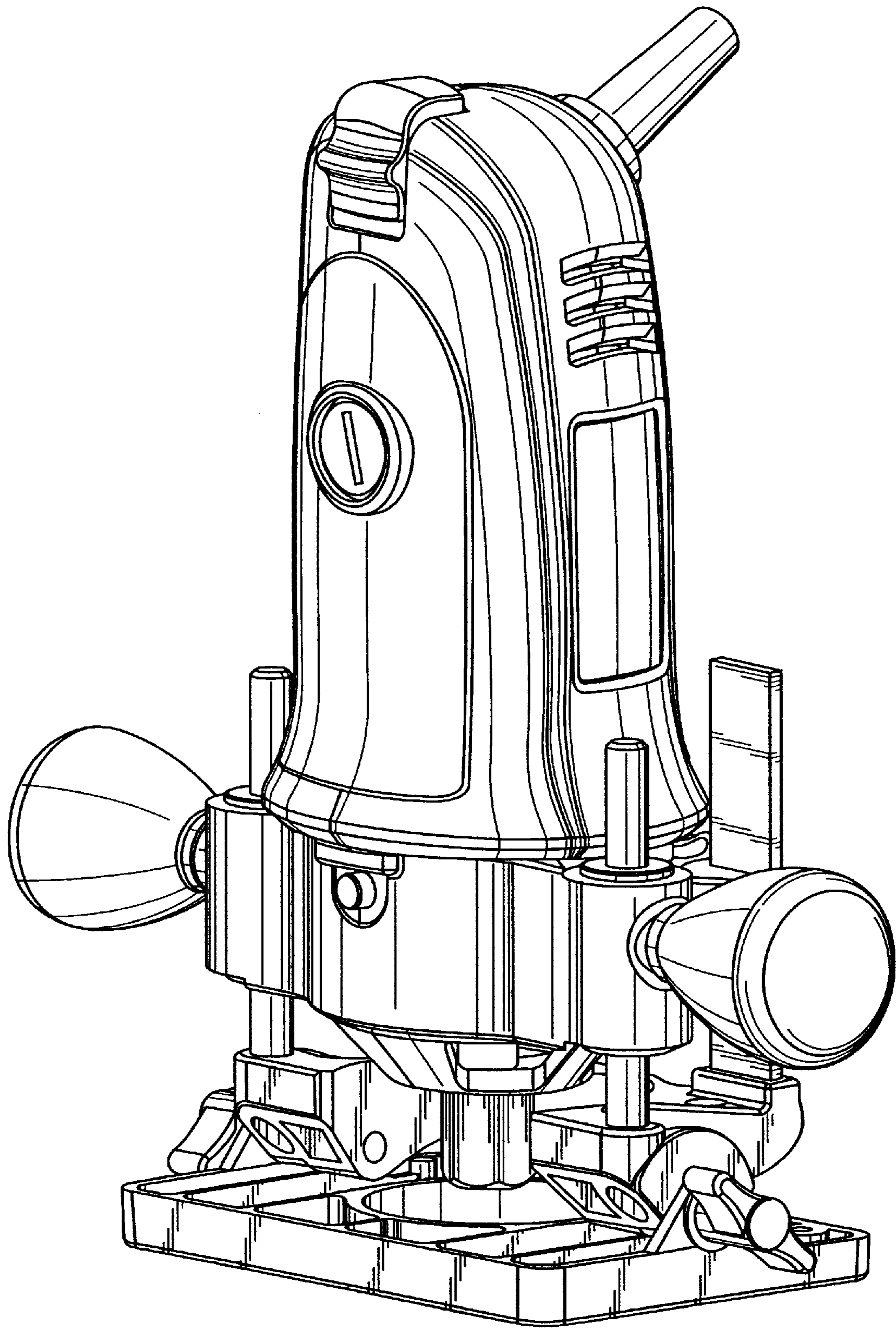


FIG. 1

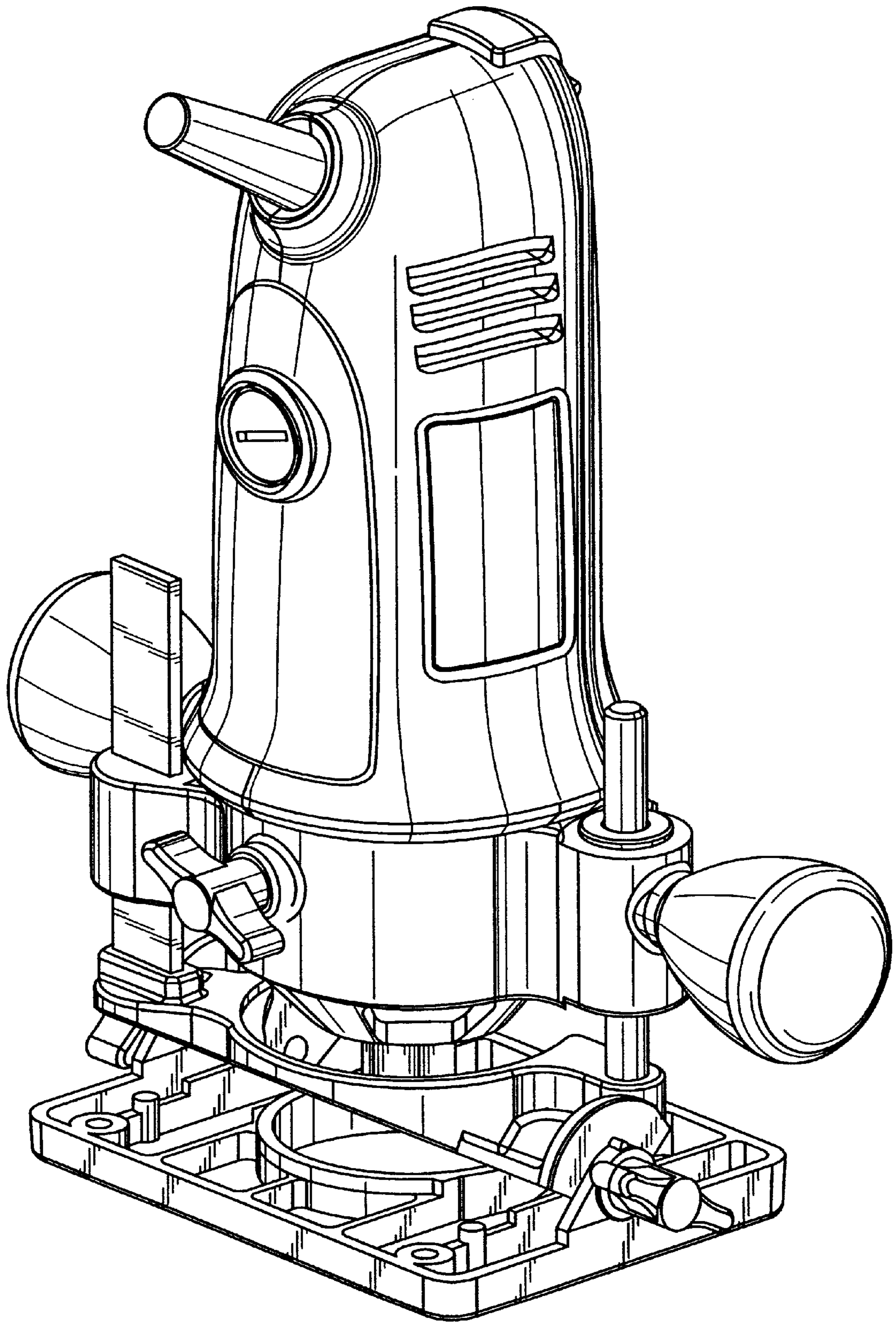


FIG. 2

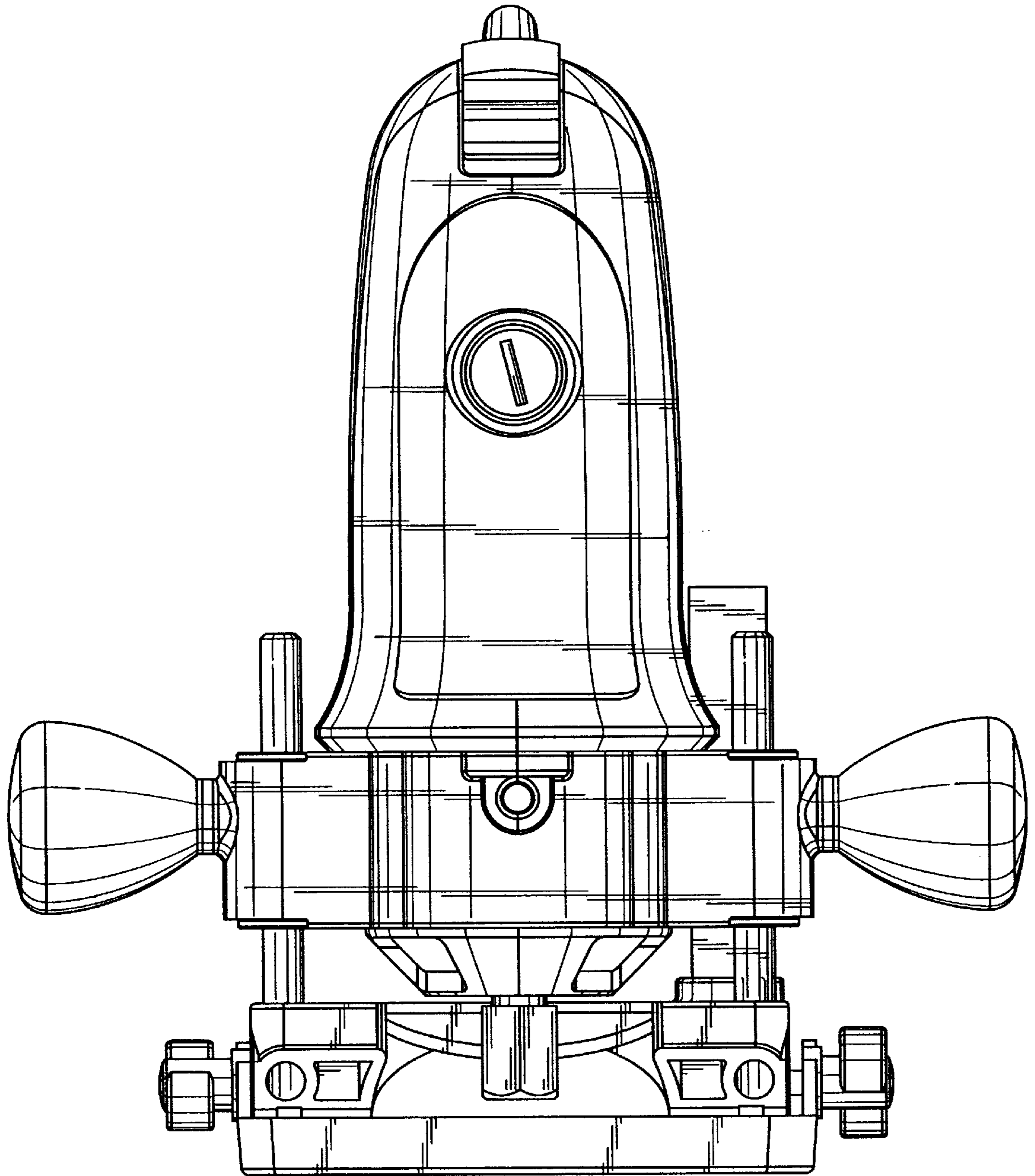


FIG. 3

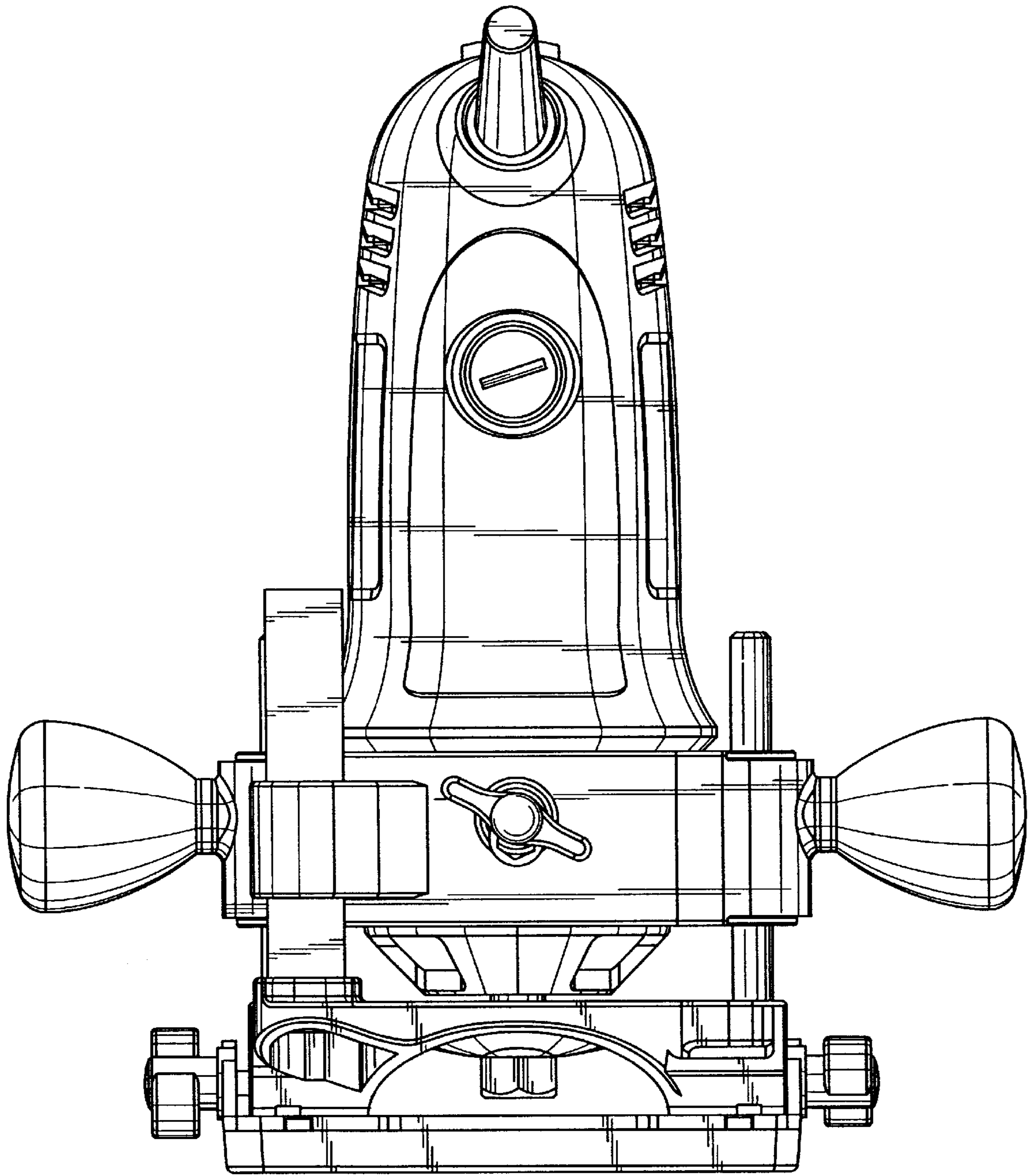


FIG. 4

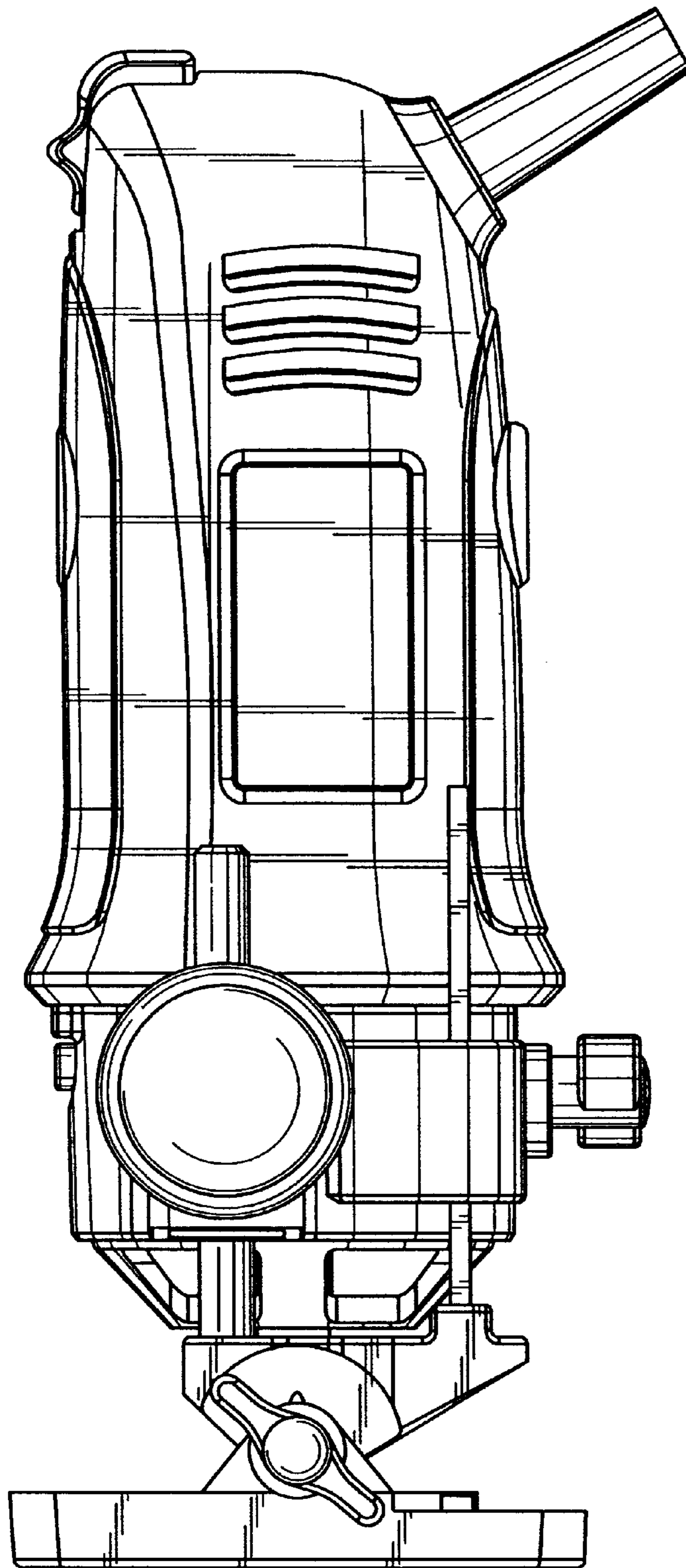


FIG. 5

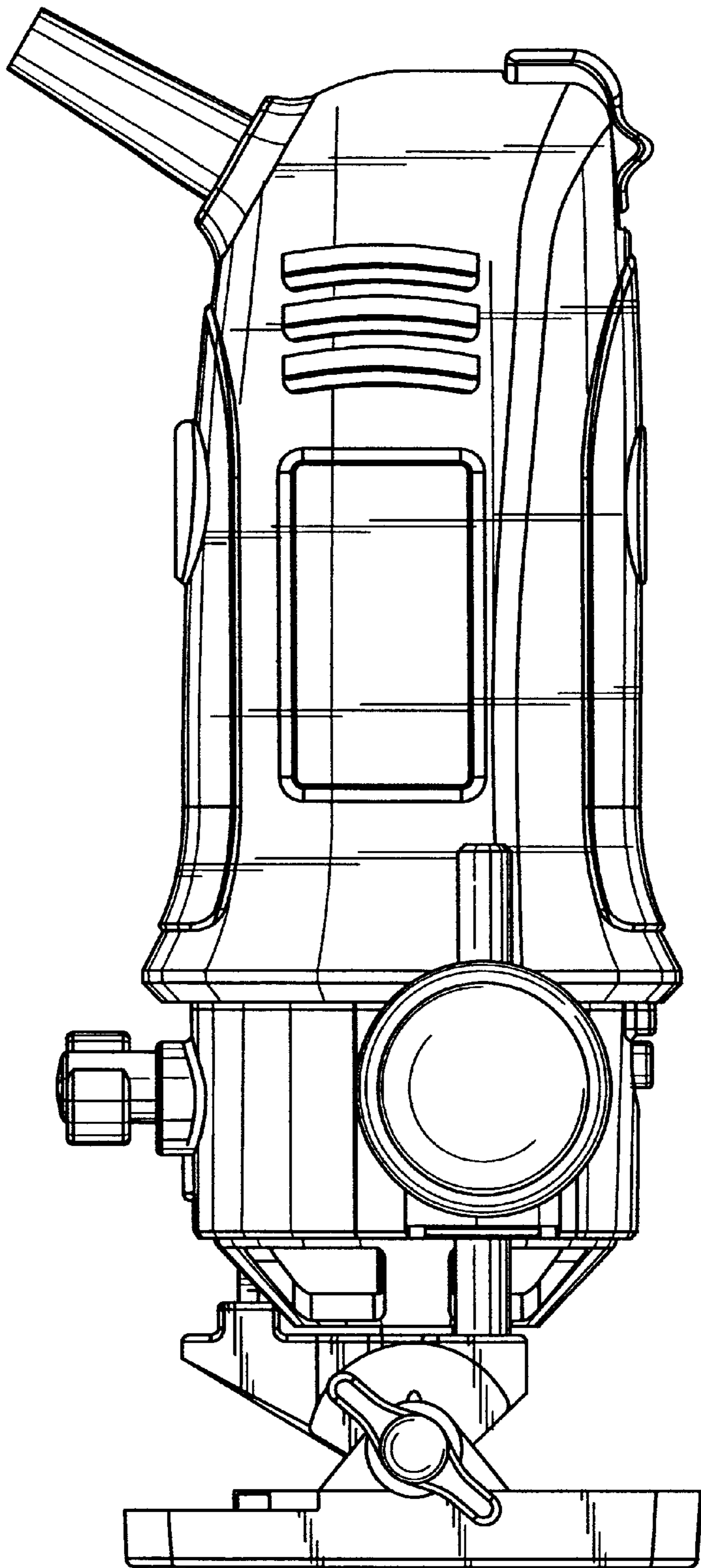


FIG. 6

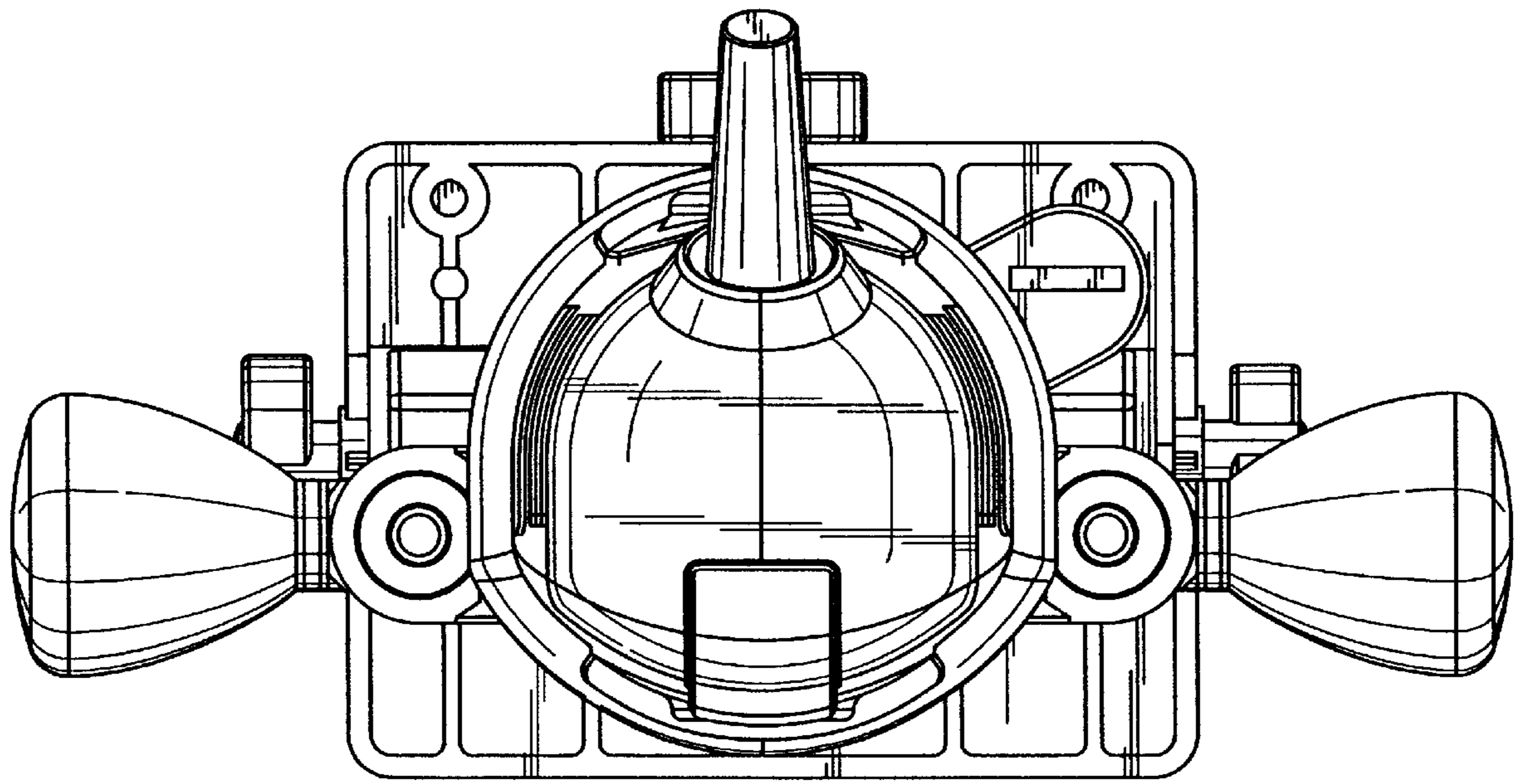


FIG. 7

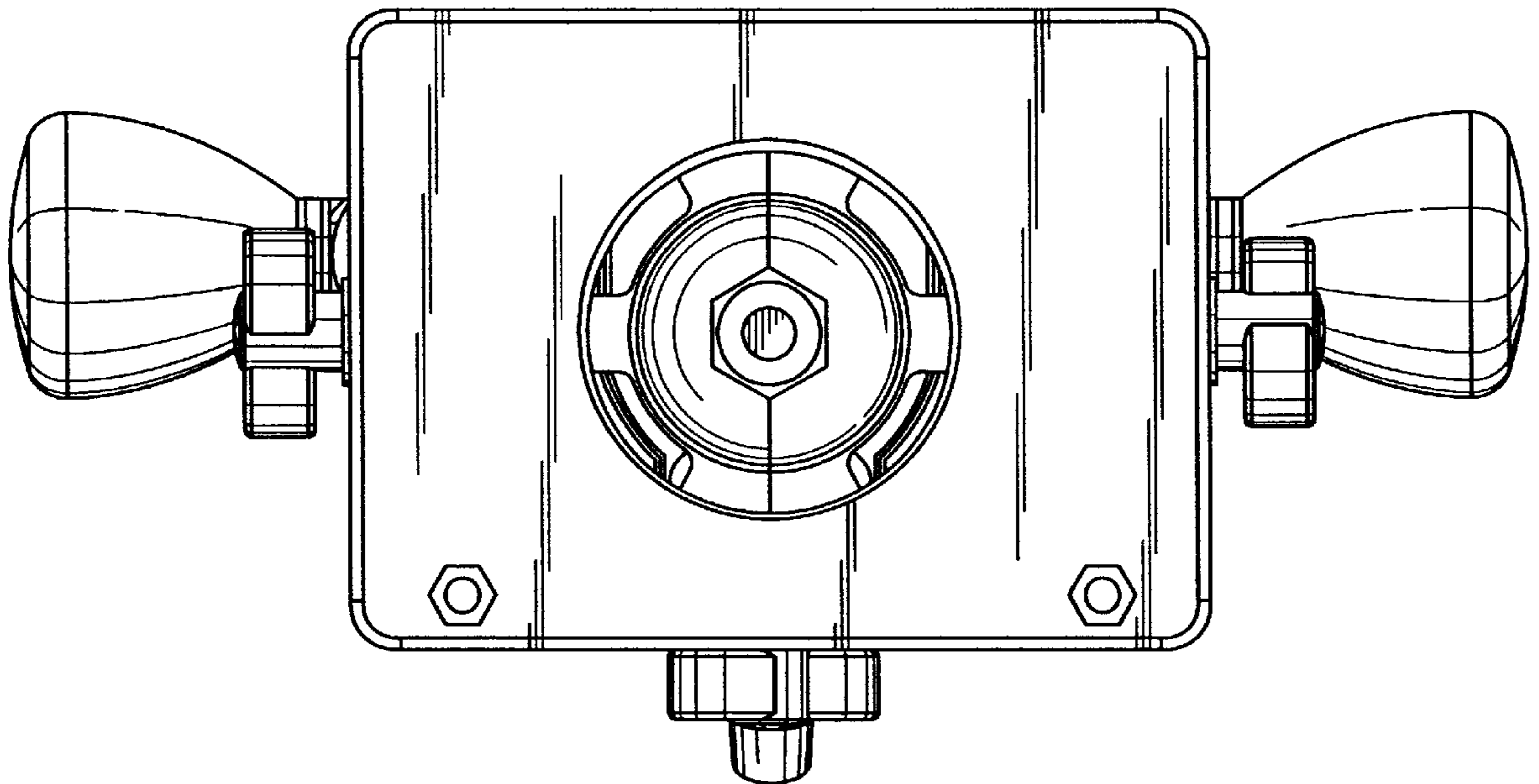


FIG. 8