



US00D448262B1

(12) **United States Design Patent**  
**Heun**

(10) **Patent No.:** **US D448,262 S**

(45) **Date of Patent:** **\*\* Sep. 25, 2001**

(54) **ELECTRIC SANDER**

(75) **Inventor:** **Ping Hay Heun, Aberdeen (HK)**

(73) **Assignee:** **Choon Nang Electrical Appliance Mfy., Ltd., Aberdeen (HK)**

(\*\*) **Term:** **14 Years**

(21) **Appl. No.:** **29/134,530**

(22) **Filed:** **Dec. 26, 2000**

(30) **Foreign Application Priority Data**

Jun. 30, 2000 (GB) ..... 2093906

(51) **LOC (7) Cl.** ..... **08-01**

(52) **U.S. Cl.** ..... **D8/62**

(58) **Field of Search** ..... D8/61-70; 81/57.11, 81/54, 57.42; 173/170, 217, 169, 216, 213, 164; 451/357-359, 344, 453; 310/50; 144/154.5

(56) **References Cited**

**U.S. PATENT DOCUMENTS**

- D. 286,736 \* 11/1986 Somers ..... D8/62
- D. 310,007 \* 8/1990 Saito et al. .... D8/62
- D. 317,244 \* 6/1991 Bunyea ..... D8/62
- D. 329,362 \* 9/1992 Saito et al. .... D8/62
- D. 345,089 \* 3/1994 Kikuchi et al. .... D8/62

- D. 352,437 \* 11/1994 Chunn et al. .... D8/62
- D. 376,304 \* 12/1996 Clowers et al. .... D8/62
- D. 386,376 \* 11/1997 Kaneko et al. .... D8/62
- D. 392,861 \* 3/1998 Gildersleeve et al. .... D8/62
- D. 408,245 \* 4/1999 Evans et al. .... D8/62
- 5,018,314 \* 5/1991 Fushiya et al. .... 451/357
- 5,419,737 \* 5/1995 Brazell et al. .... 451/453

\* cited by examiner

*Primary Examiner*—Jeffrey Asch

(74) *Attorney, Agent, or Firm*—Leydig, Voit & Mayer, Ltd.

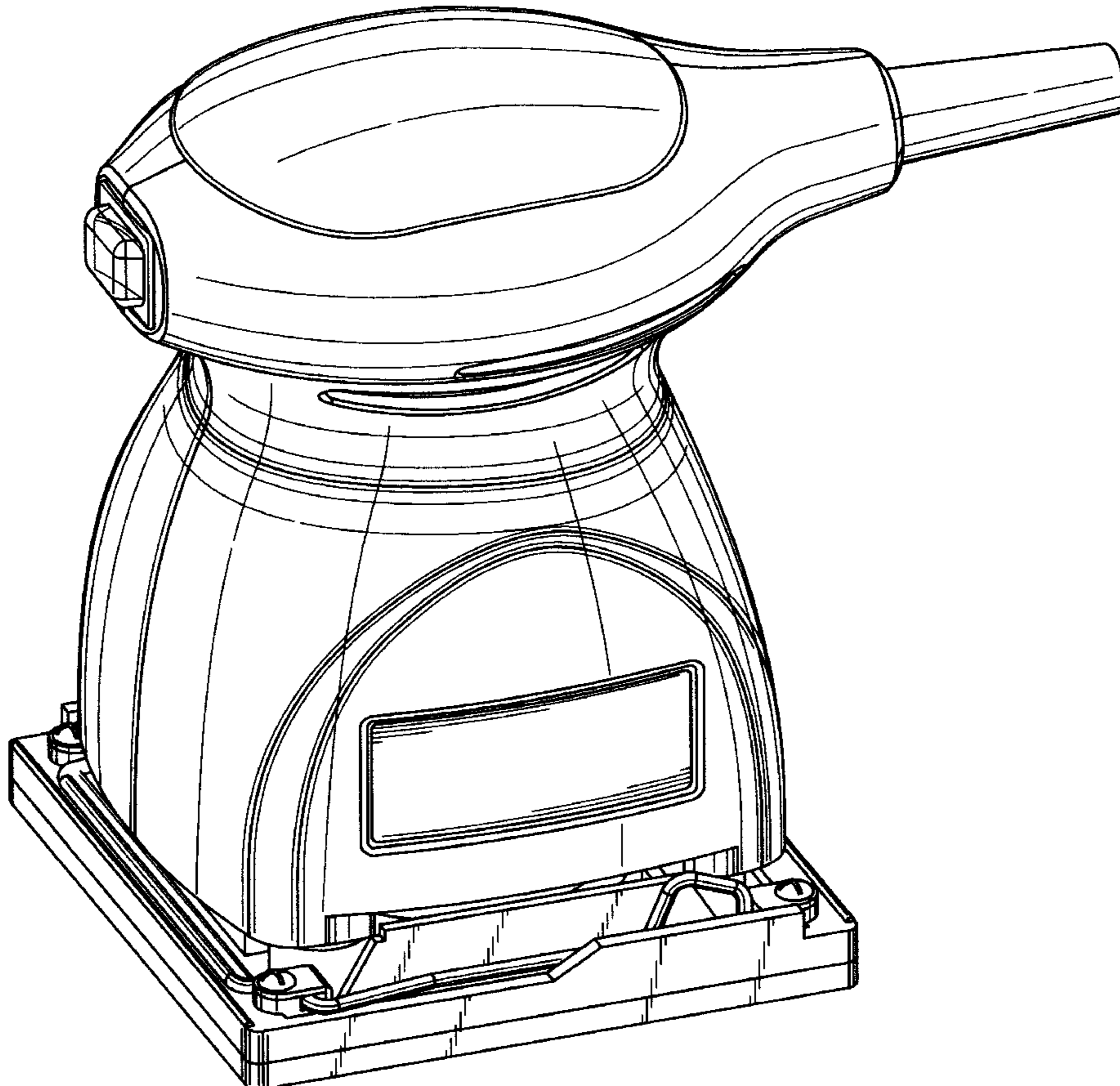
(57) **CLAIM**

The ornamental design for an electric sander, as shown and described.

**DESCRIPTION**

FIG. 1 is a front, left side and top perspective view of an electric sander showing my new design;  
 FIG. 2 is a rear, right side and top perspective view thereof;  
 FIG. 3 is a left side elevational view thereof;  
 FIG. 4 is a right side elevational view thereof;  
 FIG. 5 is a front elevational view thereof;  
 FIG. 6 is a rear elevational view thereof;  
 FIG. 7 is a top plan view thereof; and,  
 FIG. 8 is a bottom plan view thereof.

**1 Claim, 8 Drawing Sheets**



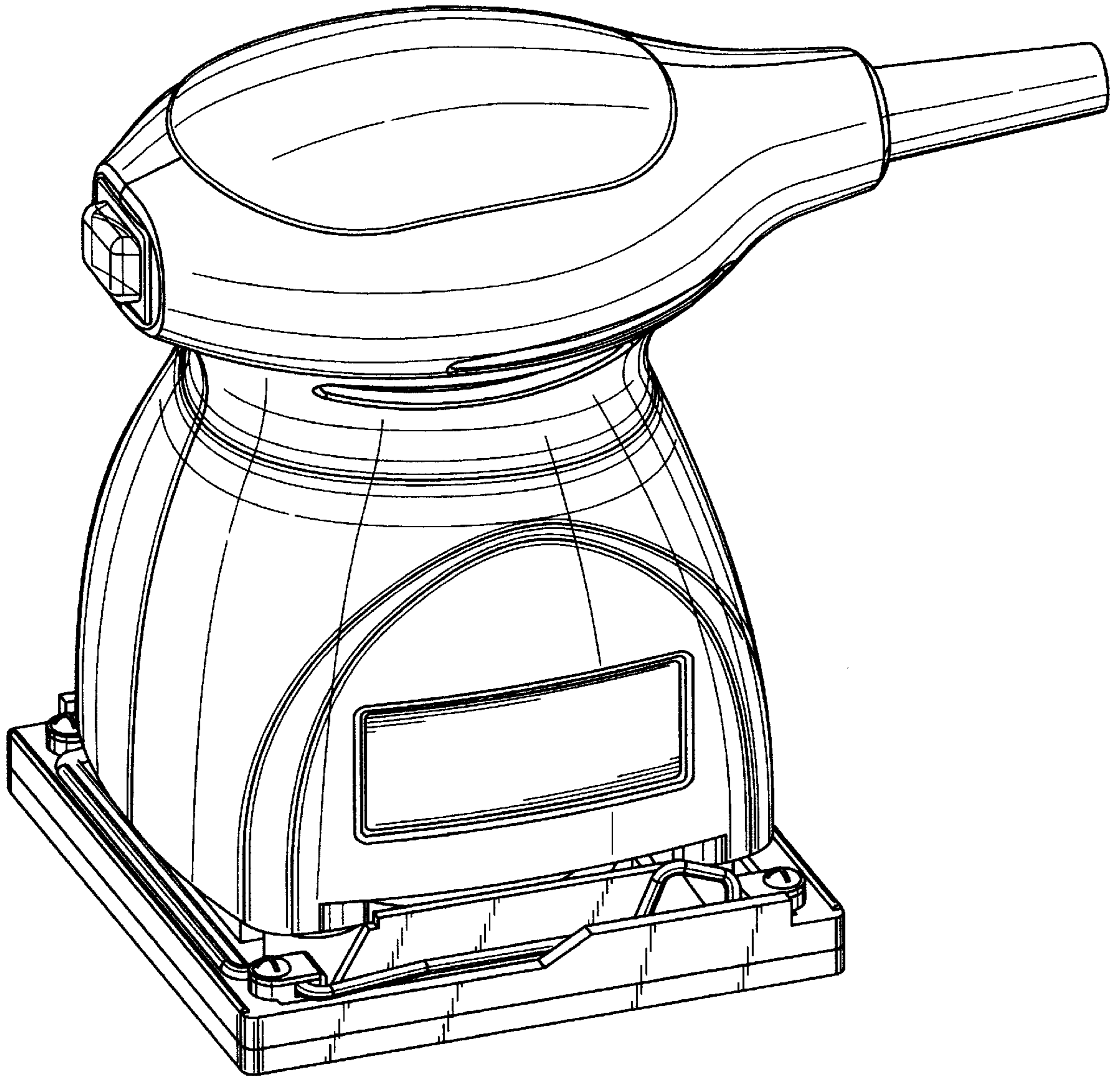


FIG. 1

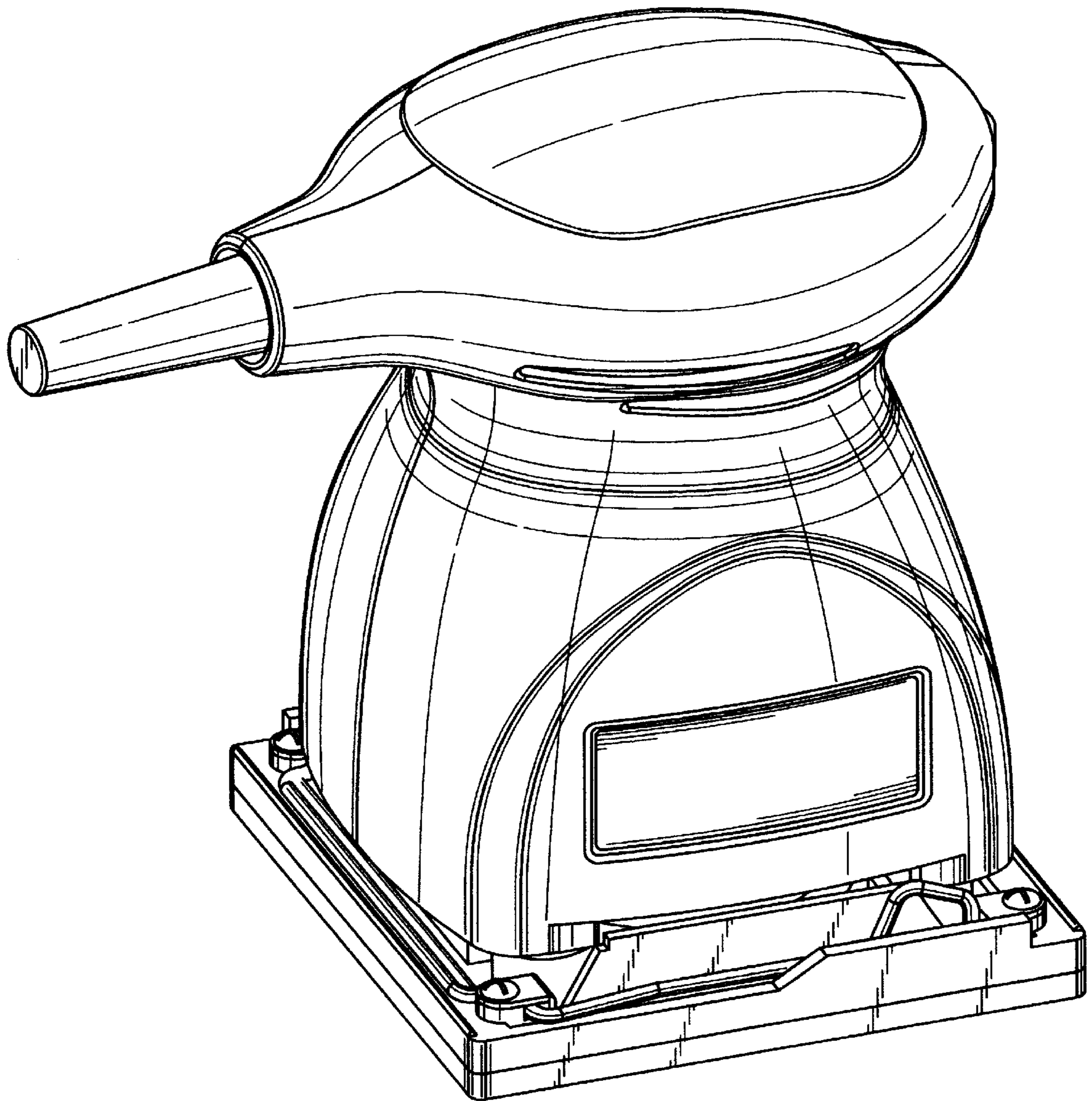


FIG. 2

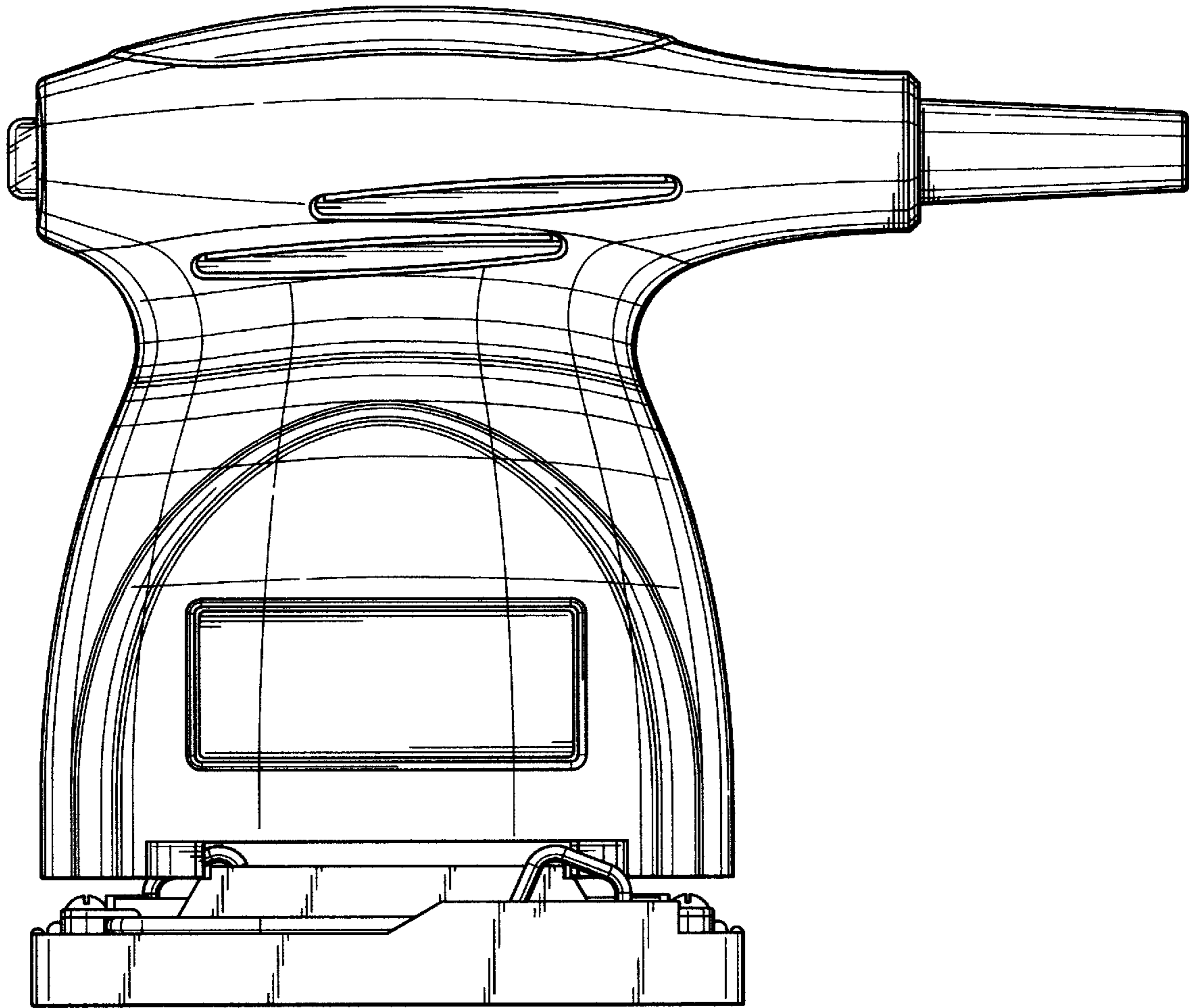


FIG. 3

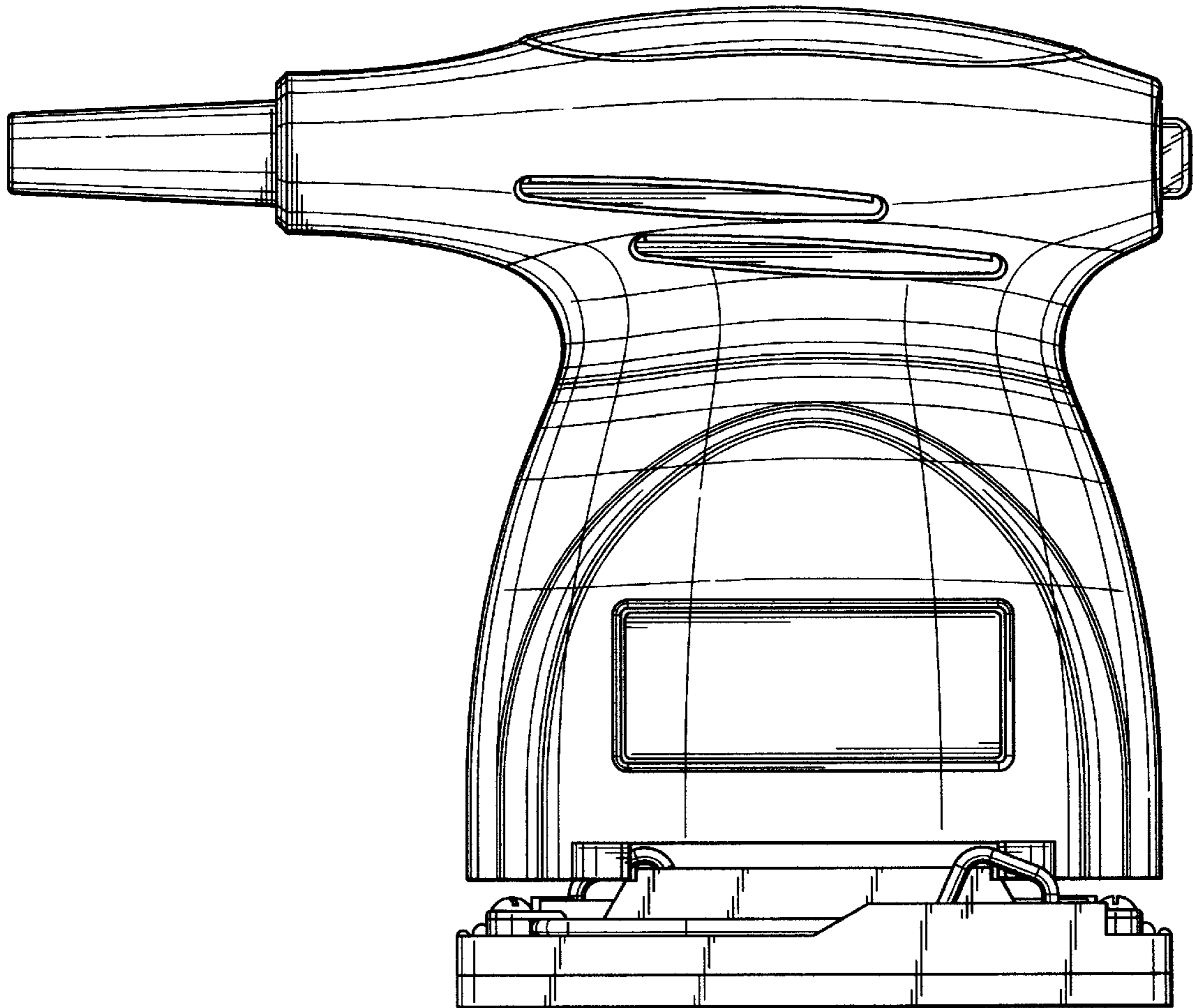


FIG. 4

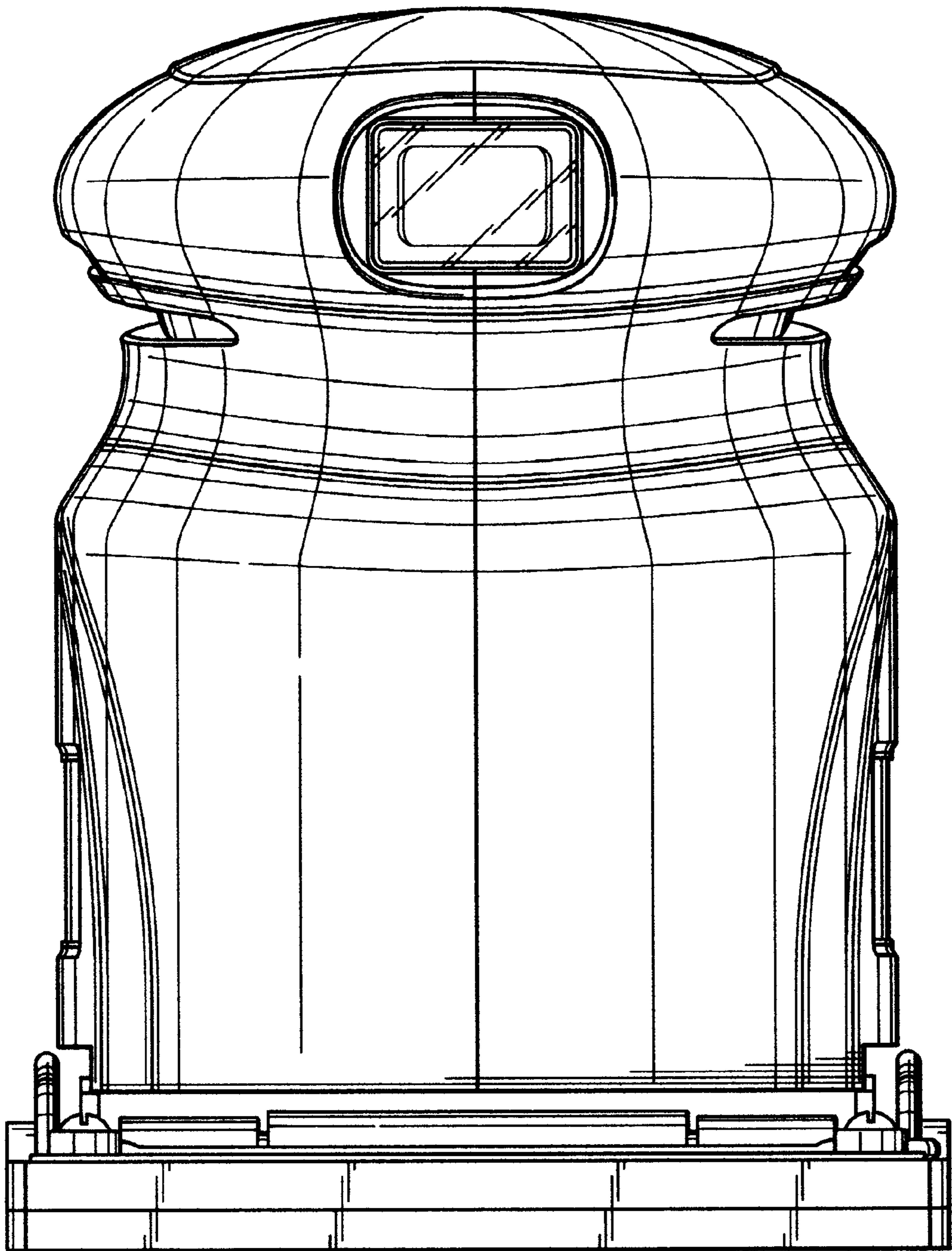


FIG. 5

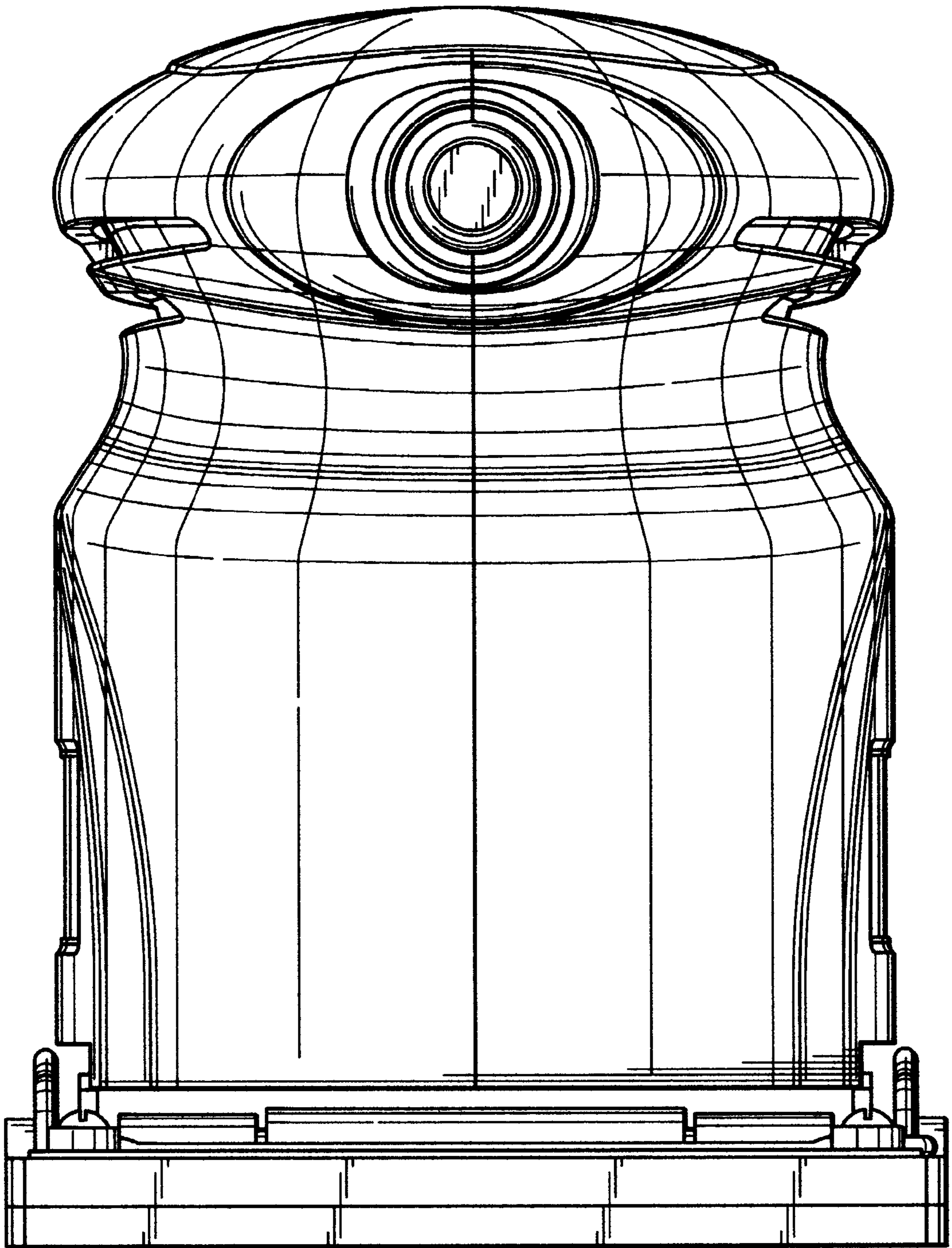


FIG. 6

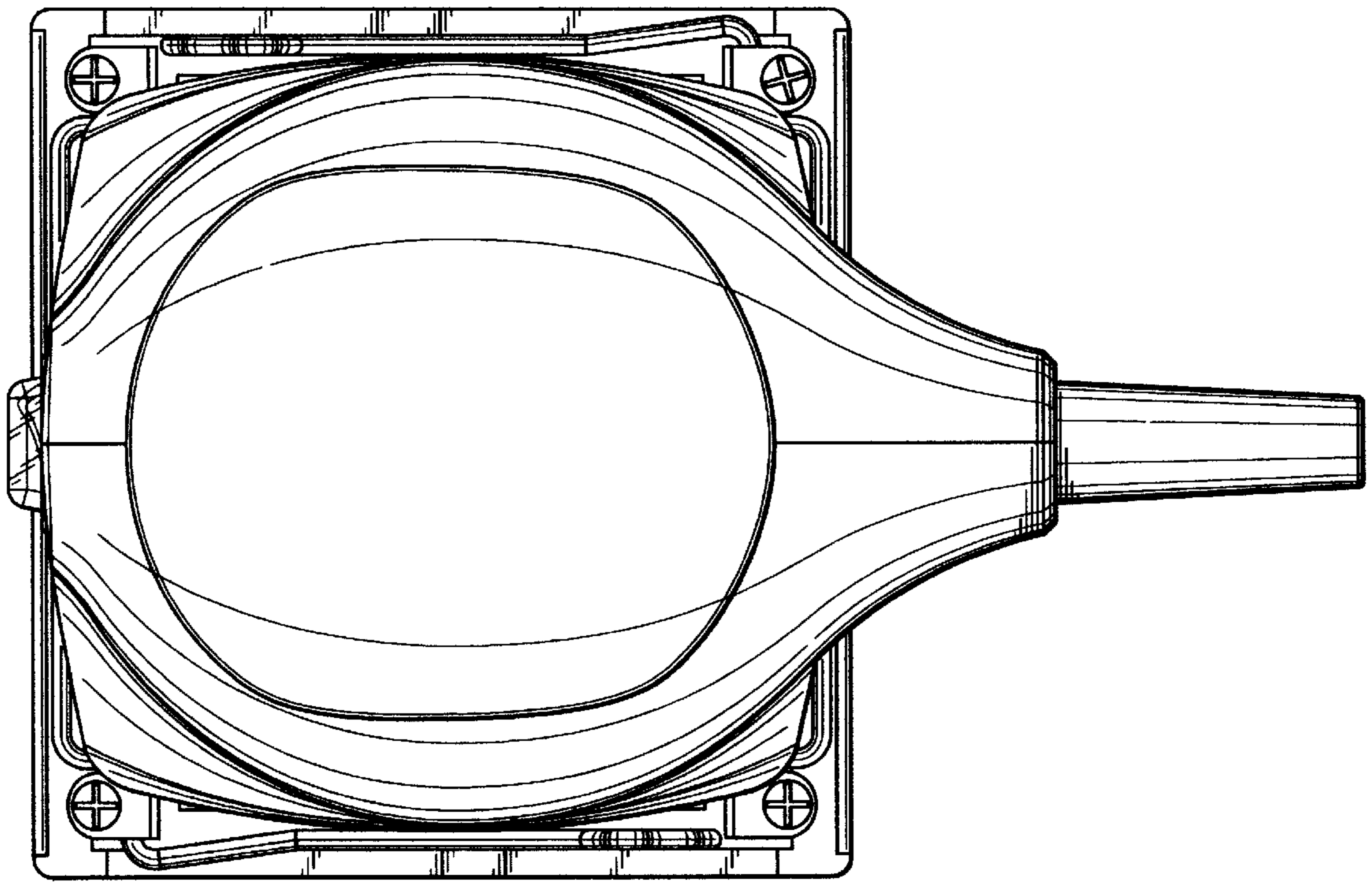


FIG. 7



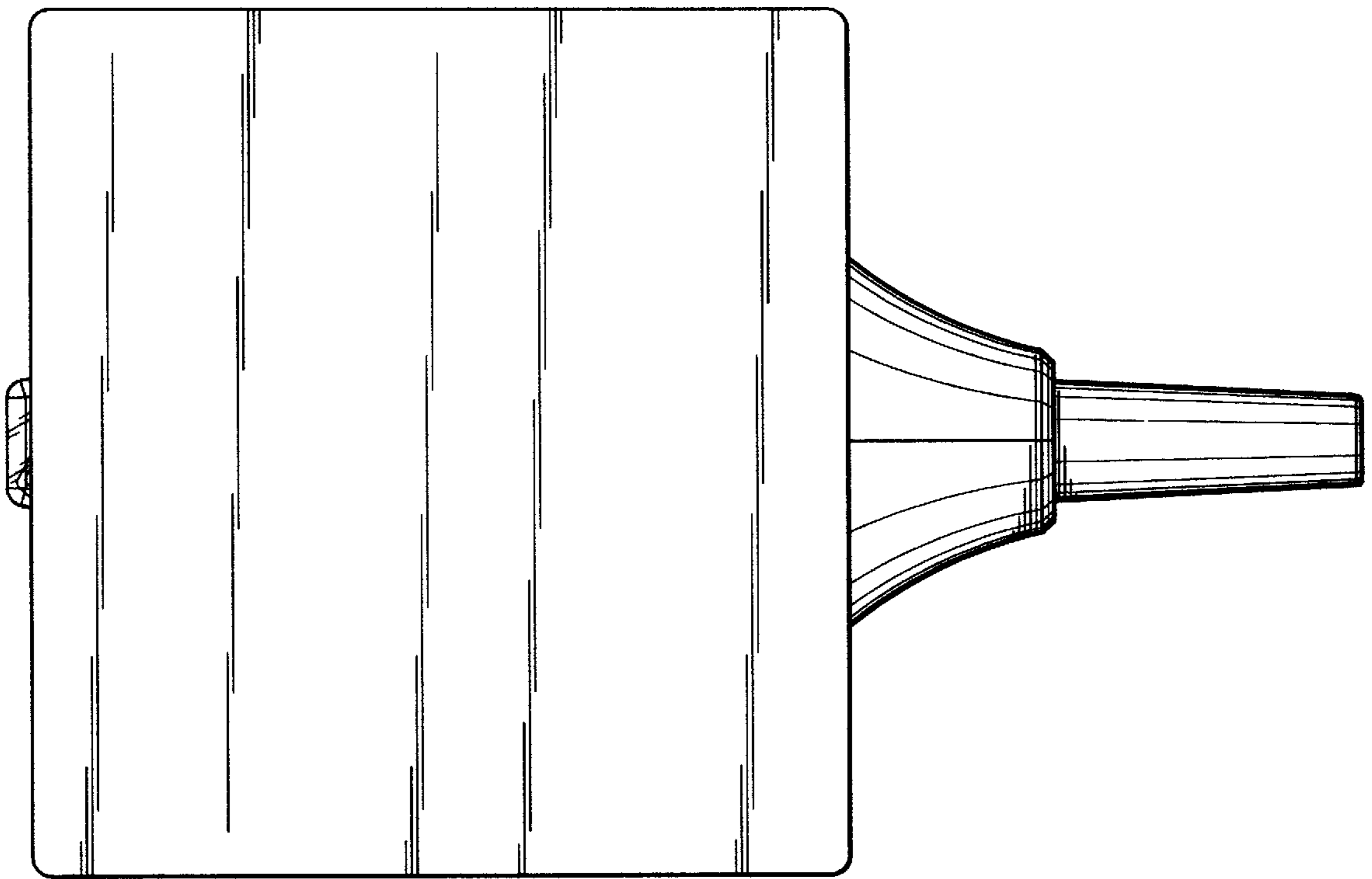


FIG. 8