



US00D448260B1

(12) **United States Design Patent**
Gathmann

(10) **Patent No.:** **US D448,260 S**

(45) **Date of Patent:** **** Sep. 25, 2001**

(54) **BIT OF TONGS**

(75) Inventor: **Lutz Gathmann, Düsseldorf (DE)**

(73) Assignee: **Breitfeld & Schliekert GmbH, Karben (DE)**

(**) Term: **14 Years**

(21) Appl. No.: **29/125,591**

(22) Filed: **Jun. 27, 2000**

(30) **Foreign Application Priority Data**

Feb. 22, 2000 (XH) DM/050 864

(51) **LOC (7) Cl.** **08-05**

(52) **U.S. Cl.** **D8/52; D8/4; D24/143**

(58) **Field of Search** D8/14, 25, 39,
D8/51, 52, 54, 55, 56, 60, 105, 4; 81/3.6,
300, 302, 303, 305, 306, 315, 316, 329,
342, 355, 356, 357-360, 381, 382, 385,
386, 393-395, 362, 415, 418-424, 424.5,
426, 426.5, 427, 427.5; 7/125-135, 138,
170, 139, 157, 167, 168; D24/133, 143,
148, 153

(56) **References Cited**

U.S. PATENT DOCUMENTS

- D. 301,279 * 5/1989 Dieter D24/153
- 755,440 * 3/1904 Boxboeck 81/3.6
- 790,500 * 5/1905 Harper 81/3.6
- 960,724 * 6/1910 Snell 81/3.6

- 1,198,231 * 12/1916 Houchin 81/3.6
- 2,557,305 * 6/1951 Morey 81/3.6
- 4,240,190 * 12/1980 Bray 29/268

* cited by examiner

Primary Examiner—Alan P. Douglas

Assistant Examiner—Clare E. Heflin

(74) *Attorney, Agent, or Firm*—Goodman & Teitelbaum, Esqs.

(57) **CLAIM**

The ornamental design for a bit of tongs, as shown and described.

DESCRIPTION

FIG. 1 is a top perspective view of a bit of tongs in an open position, showing my new design;

FIG. 2 is a bottom perspective view thereof;

FIG. 3 is a top plan view thereof in a closed position;

FIG. 4 is a front side elevational view thereof in a closed position;

FIG. 5 is a bottom plan view thereof in a closed position;

FIG. 6 is a rear side elevational view thereof in a closed position;

FIG. 7 is a left end elevational view thereof in a closed position; and,

FIG. 8 is a right end elevational view thereof in a closed position.

The broken line showing of handles in FIG. 1 and FIG. 2 is for illustrative purposes only and forms no part of the claimed design.

1 Claim, 2 Drawing Sheets

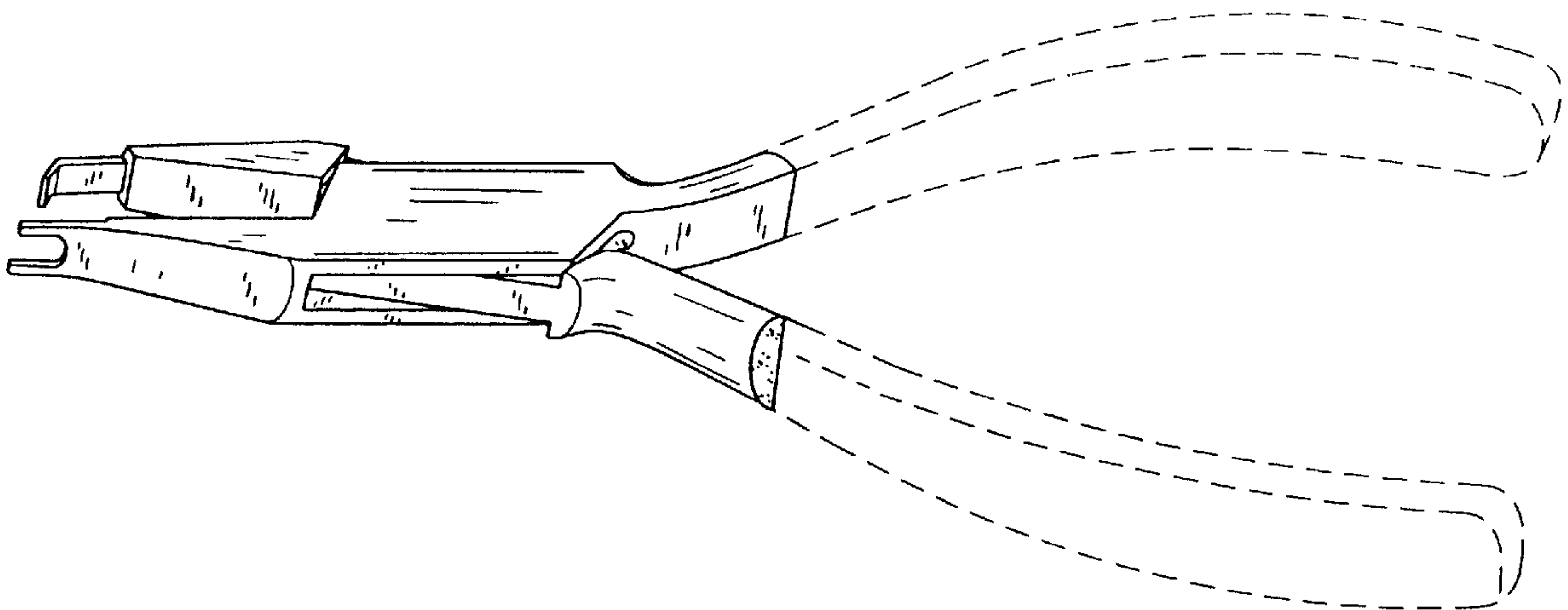


FIG. 1

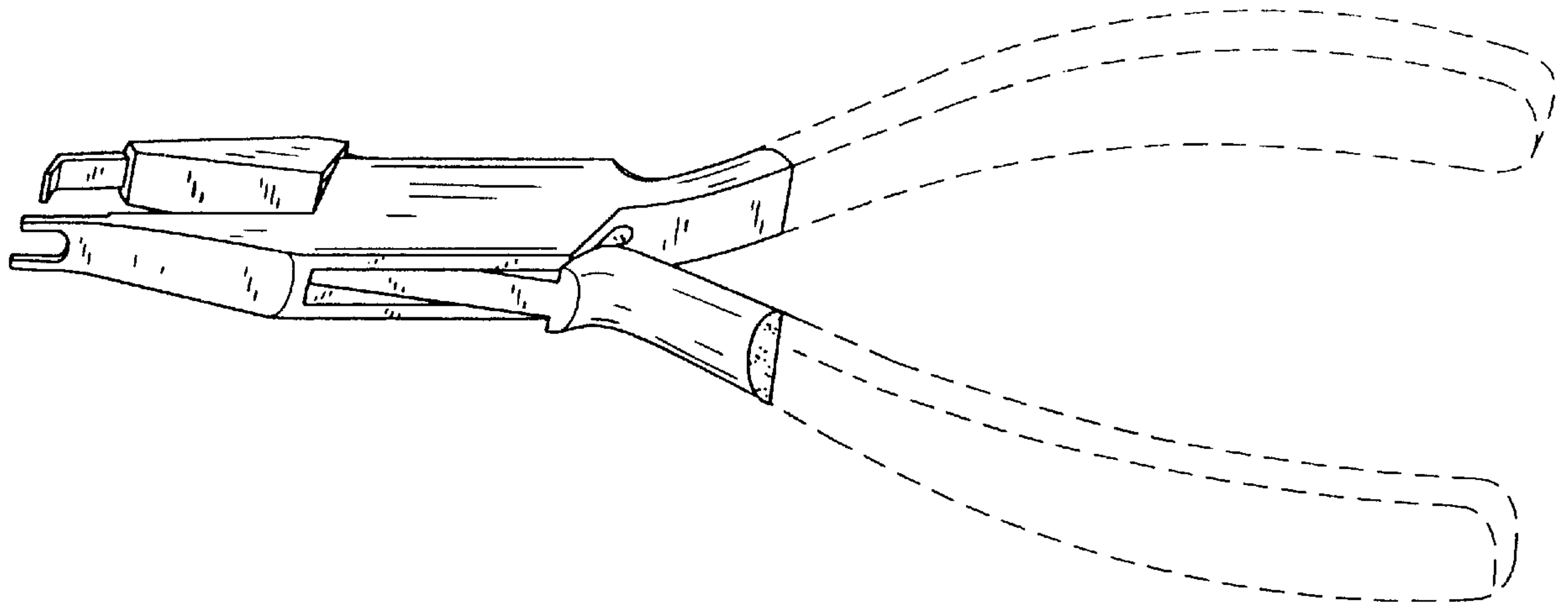


FIG. 2

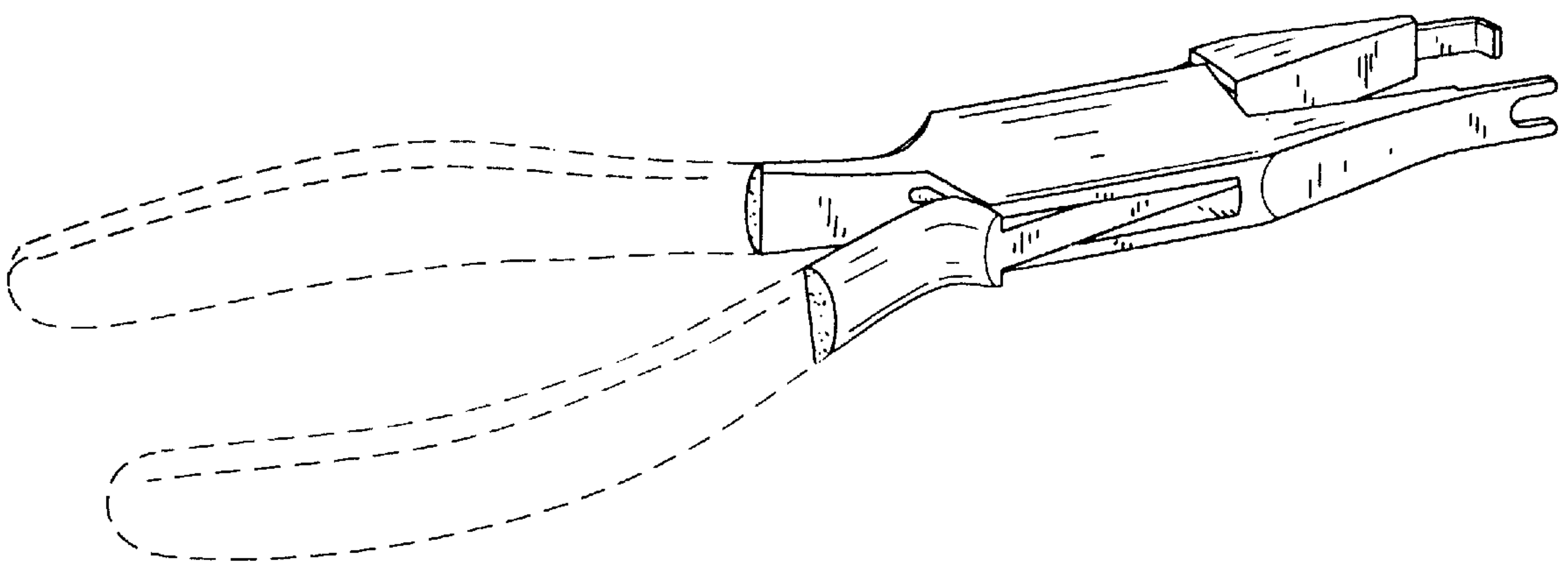


FIG. 3

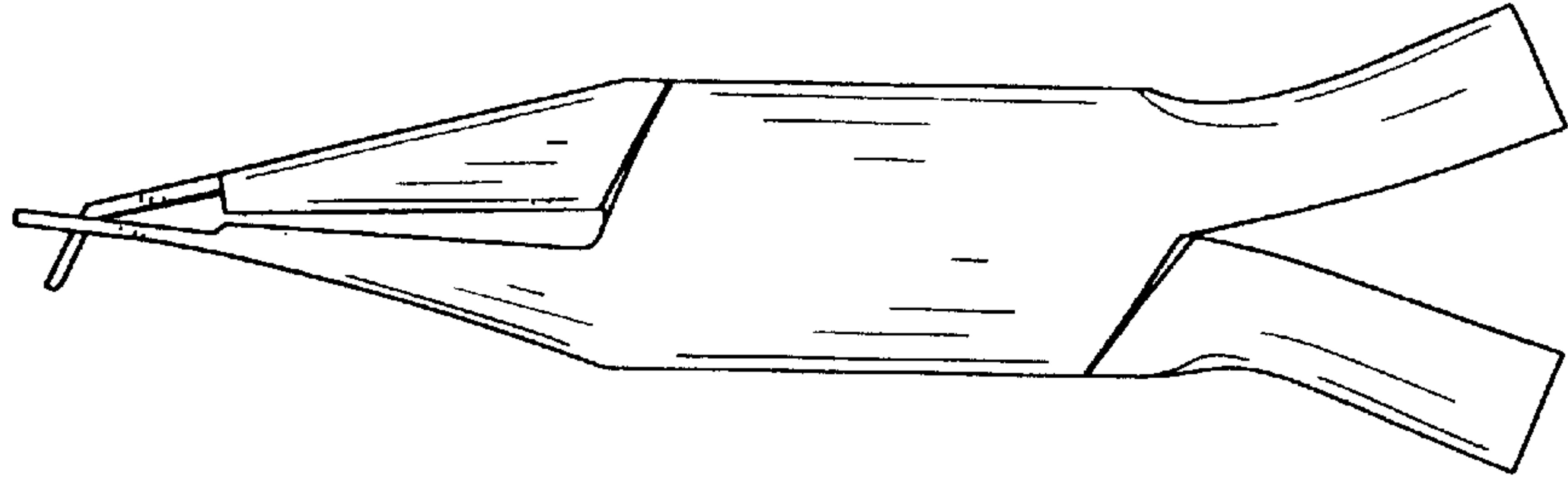


FIG. 4

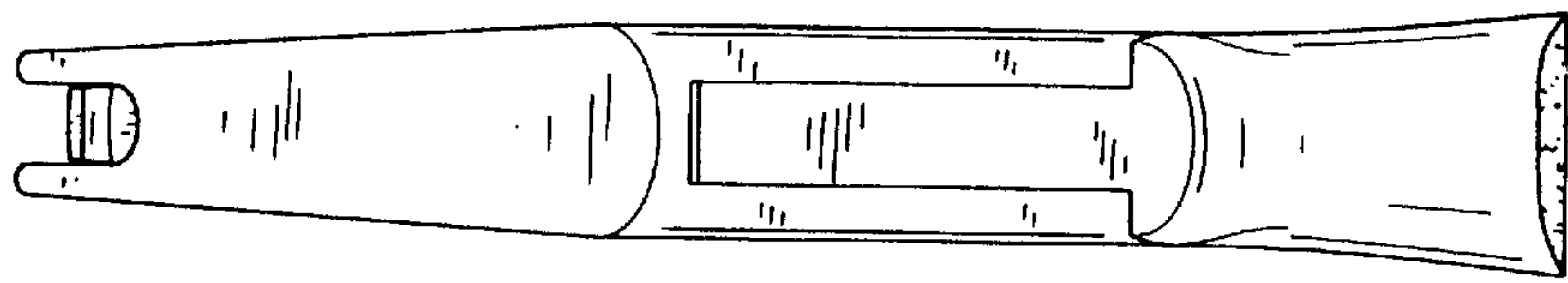


FIG. 5

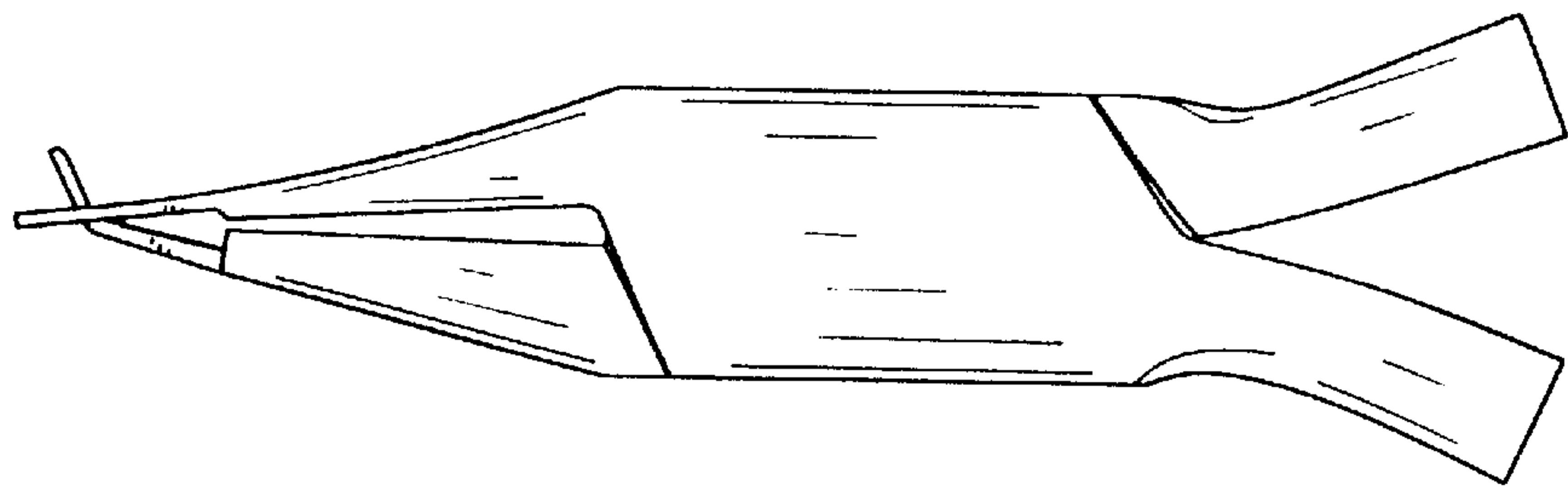


FIG. 6

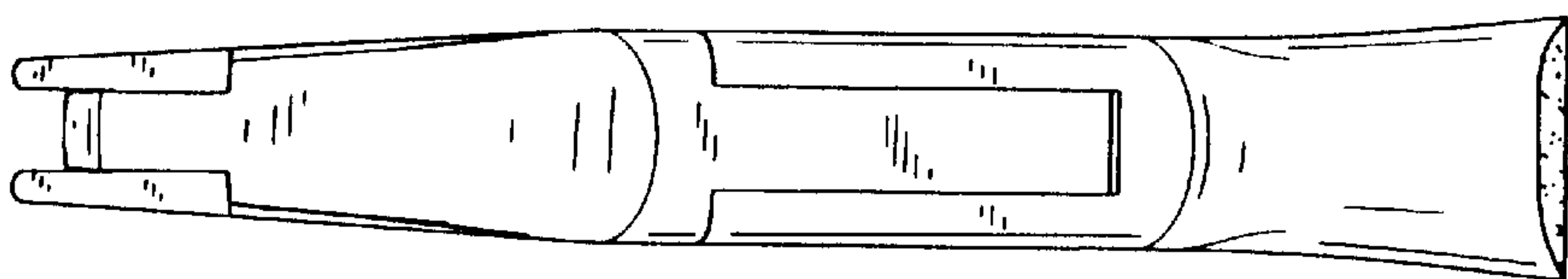


FIG. 7

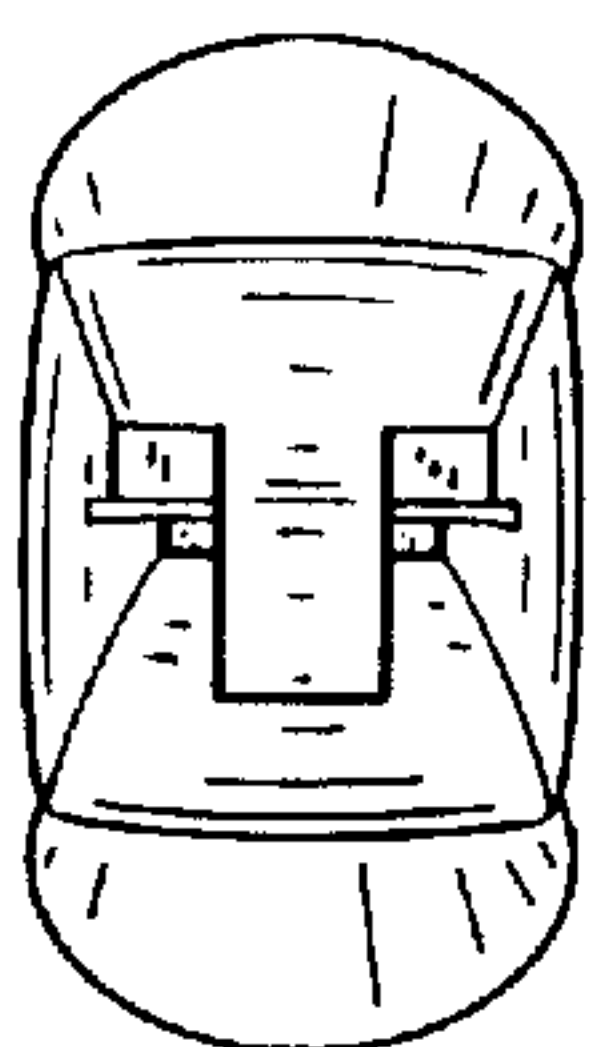


FIG. 8

