



US00D448257B1

(12) **United States Design Patent**
Stewart et al.

(10) **Patent No.:** **US D448,257 S**

(45) **Date of Patent:** **** Sep. 25, 2001**

(54) **DUAL CONDIMENT GRINDER**

4,685,627	8/1987	Lee	241/169.1
4,709,865	12/1987	Bounds	241/169.1
5,651,506	7/1997	Hockey	241/169.1
5,730,374	3/1998	Wu	241/169

(75) Inventors: **Joshua R. Stewart; David A. Holcomb; Lance L. Hood; Peter A. Ryding**, all of Seattle, WA (US)

* cited by examiner

(73) Assignee: **Chef'n Corporation**, Seattle, WA (US)

Primary Examiner—Terry A. Wallace

(**) Term: **14 Years**

(74) *Attorney, Agent, or Firm*—Seed Intellectual Property Law Group PLLC

(21) Appl. No.: **29/129,200**

(57) **CLAIM**

(22) Filed: **Sep. 7, 2000**

The ornamental design for a dual condiment grinder, as shown and described.

(51) **LOC (7) Cl.** **07-06**

(52) **U.S. Cl.** **D7/679**

(58) **Field of Search** D7/372, 373, 679,
D7/590-597; 222/142.1-142.9; 241/168,
169, 169.1, 262, 270

DESCRIPTION

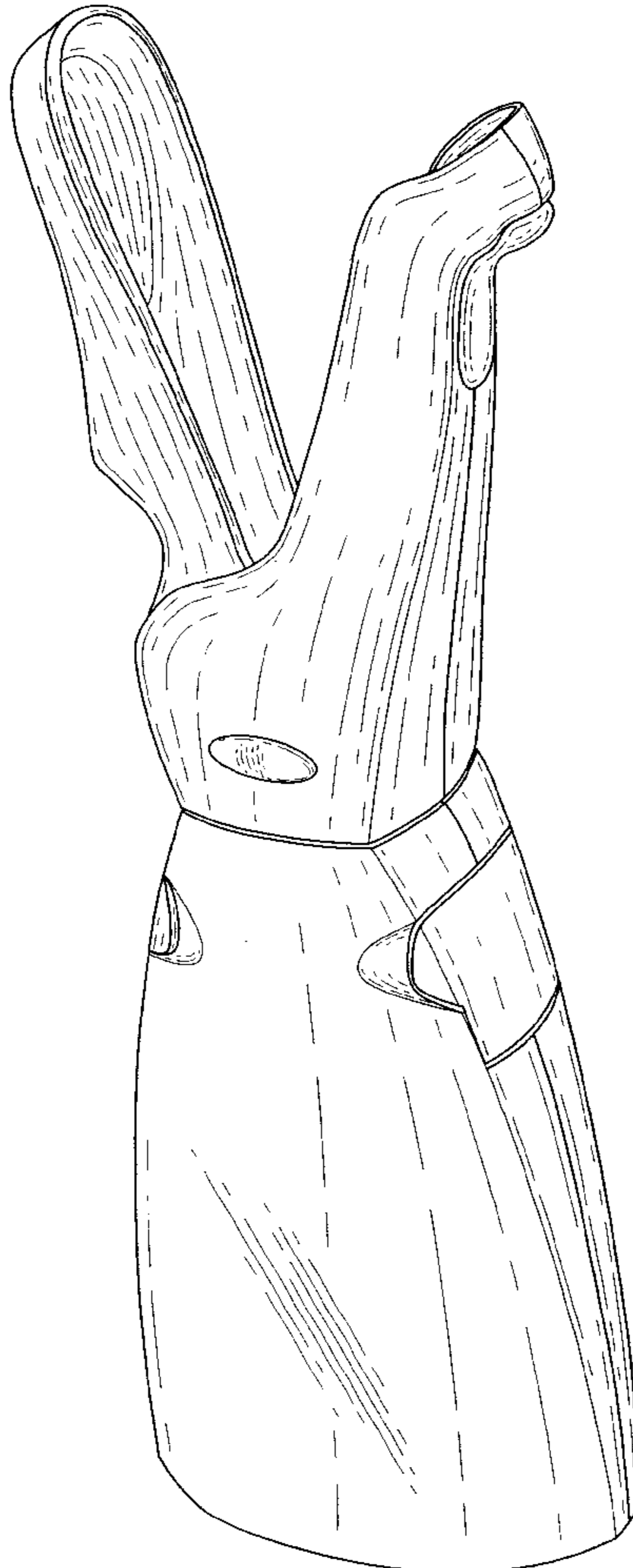
(56) **References Cited**

U.S. PATENT DOCUMENTS

D. 301,957	*	7/1989	David	D7/679
D. 370,160		5/1996	Holcomb et al.	D7/679
4,573,244		3/1986	Holcomb et al.	241/169

FIG. 1 is a front perspective view of a dual condiment grinder showing our new design.
FIG. 2 is a front elevational view thereof, the rear elevational view being a mirror image thereof.
FIG. 3 is a right side elevational view thereof.
FIG. 4 is a left side elevational view thereof.
FIG. 5 is a top plan view thereof; and,
FIG. 6 is a bottom plan view thereof.

1 Claim, 5 Drawing Sheets



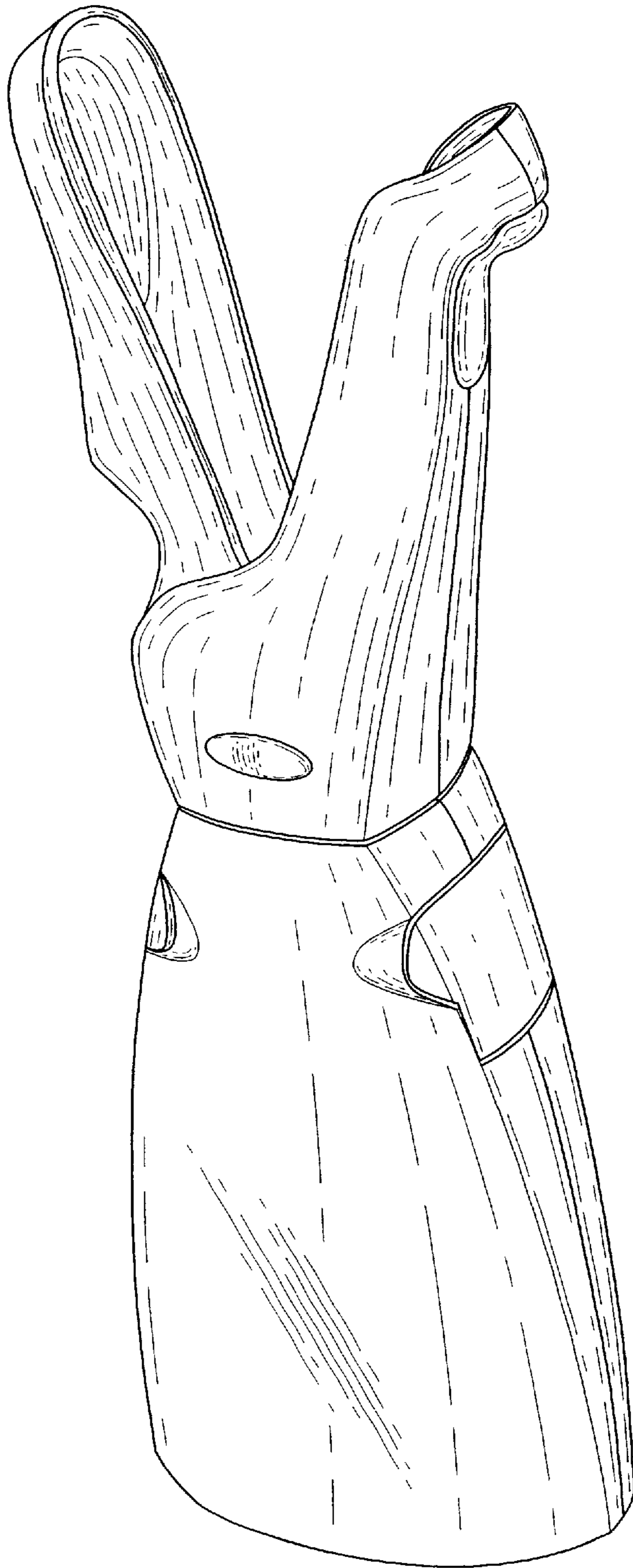


Fig. 1

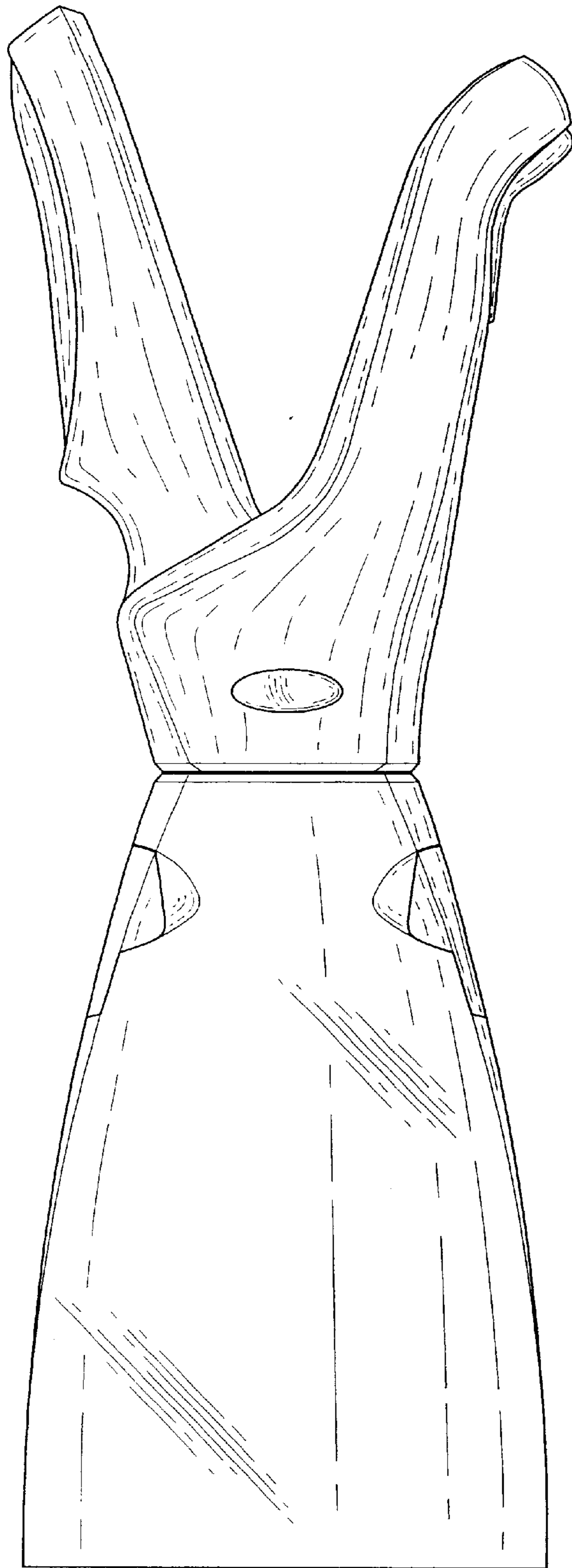


Fig. 2

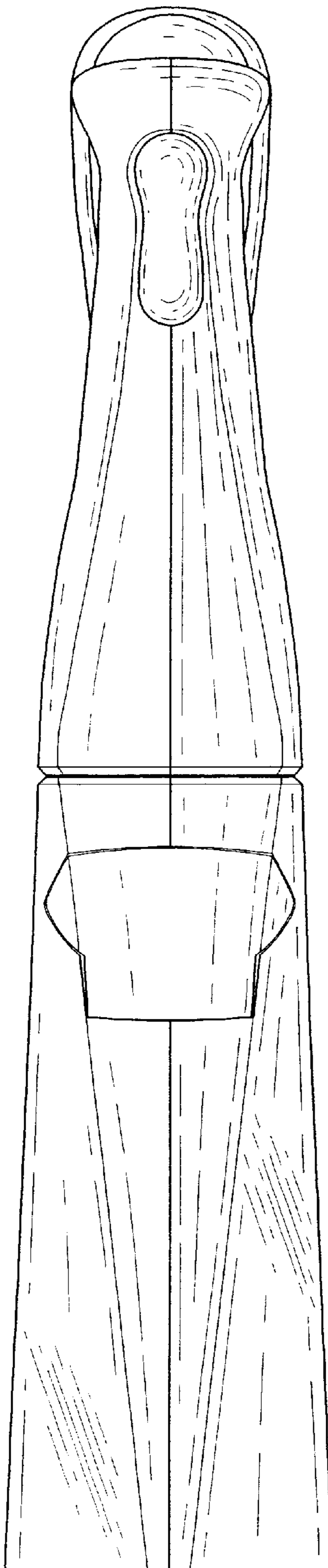


Fig. 3

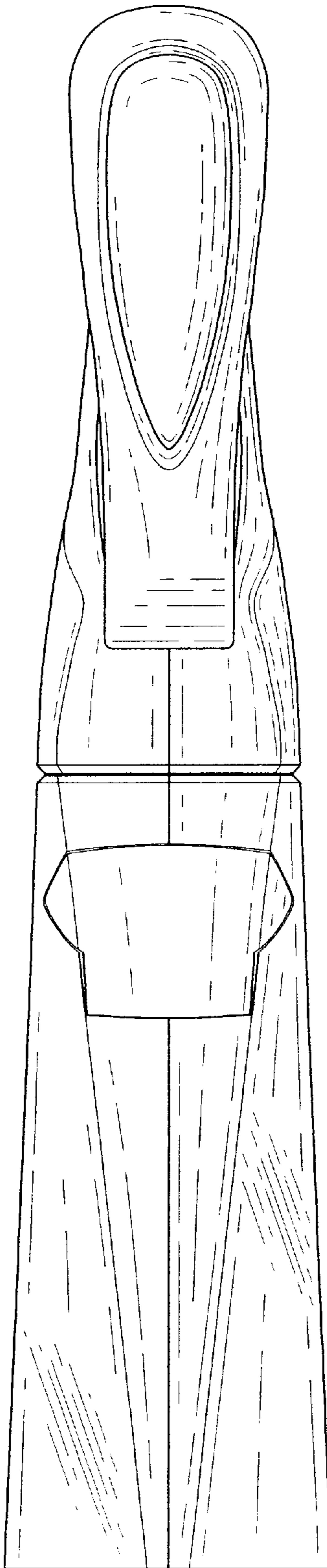


Fig. 4

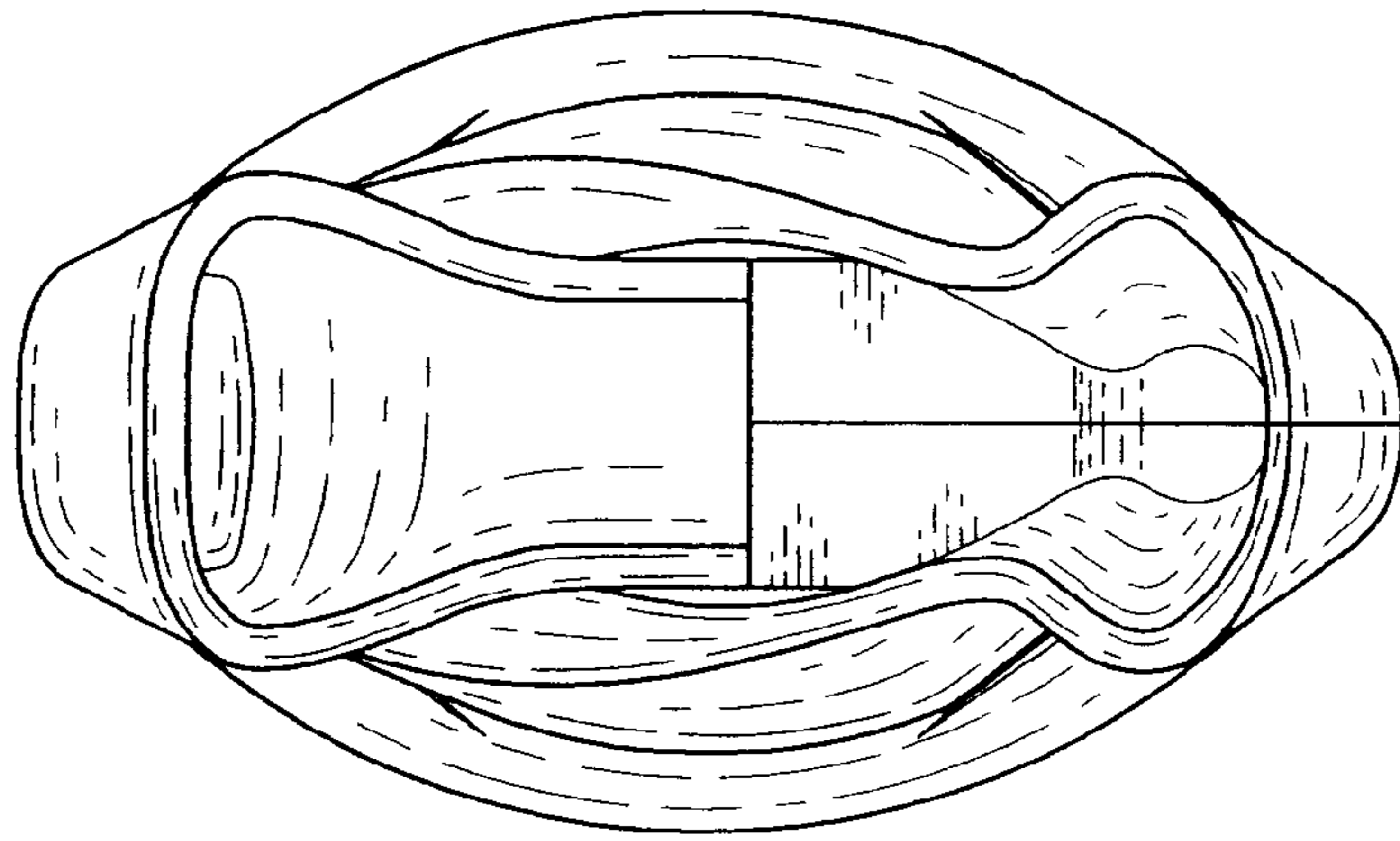


Fig. 5

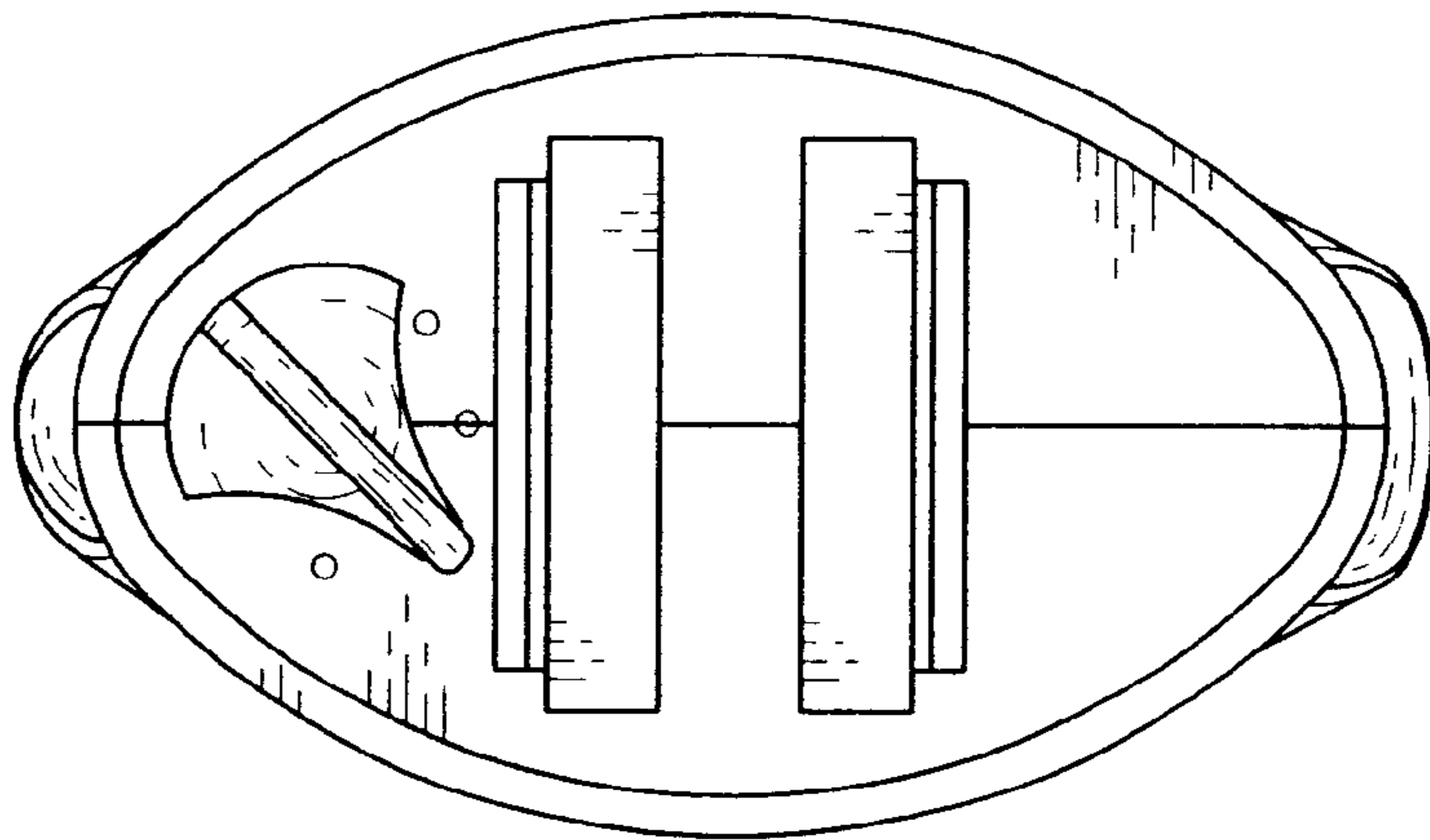


Fig. 6