



US00D448255B1

(12) **United States Design Patent**
Shane-Schuldt

(10) **Patent No.:** **US D448,255 S**

(45) **Date of Patent:** **** Sep. 25, 2001**

(54) **SPOON**

D. 378,181 * 2/1997 Richmond D7/653

(75) Inventor: **Diane Shane-Schuldt**, Sherrill, NY (US)

* cited by examiner

Primary Examiner—Caron D. Veynar

(73) Assignee: **Oneida, Ltd.**, Oneida, NY (US)

(74) *Attorney, Agent, or Firm*—Wall Marjama & Bilinski

(**) Term: **14 Years**

(57) **CLAIM**

The ornamental design for a spoon, as shown and described.

(21) Appl. No.: **29/134,641**

DESCRIPTION

(22) Filed: **Dec. 22, 2000**

(51) **LOC (7) Cl.** **07-03**

(52) **U.S. Cl.** **D7/653**

(58) **Field of Search** D7/642, 645, 653,
D7/662-664; 30/324, 328

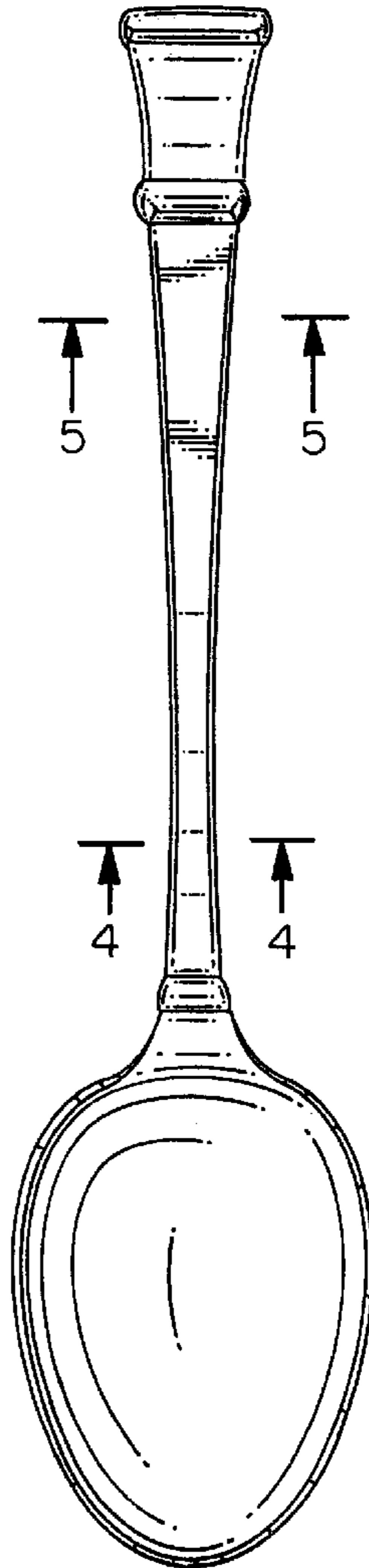
FIG. 1 is a top view of a spoon showing my new Design; FIG. 2 is a left side elevational view thereof; the right side view being a mirror image thereof; FIG. 3 is a bottom plan view thereof; FIG. 4 is a cross-section view taken along line 4—4 of FIG. 1; and, FIG. 5 is a cross section view taken along line 5—5 of FIG. 1.

(56) **References Cited**

U.S. PATENT DOCUMENTS

D. 247,086 * 1/1978 Gonshorek D7/645

1 Claim, 1 Drawing Sheet



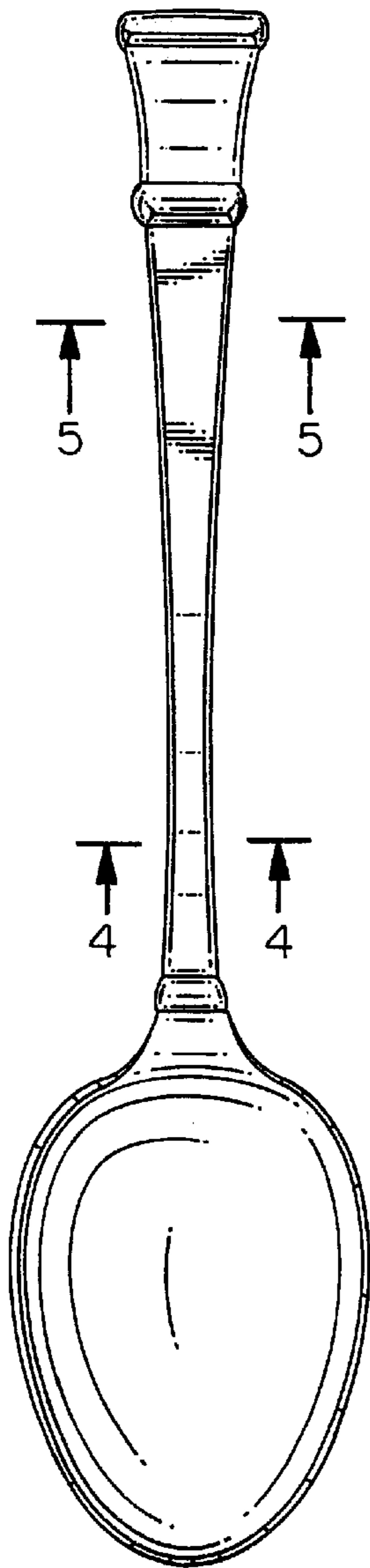


FIG. 1

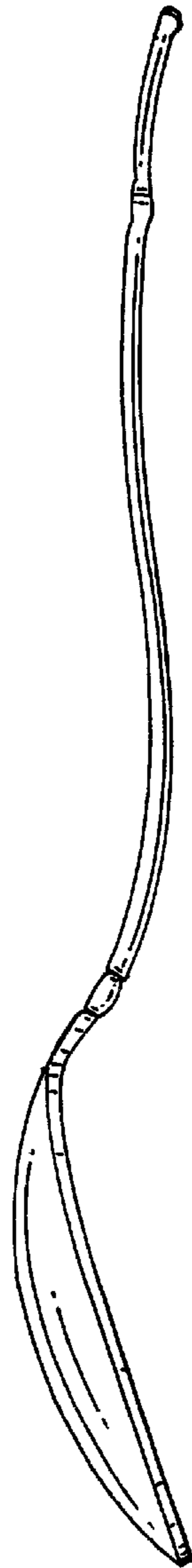


FIG. 2

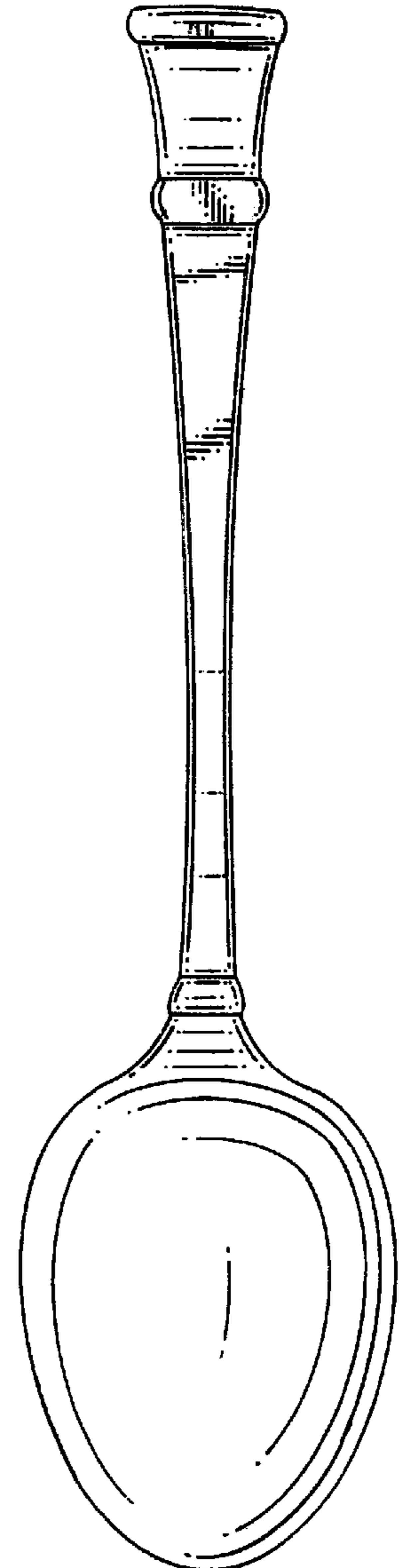


FIG. 3



FIG. 4



FIG. 5