



US00D448251B1

(12) **United States Design Patent**
Bodum

(10) **Patent No.:** **US D448,251 S**

(45) **Date of Patent:** **** Sep. 25, 2001**

(54) **BREAD BOX**

(75) Inventor: **Jørgen Bodum**, St. Niklausen (CH)

(73) Assignee: **PI-Design AG**, Triengen (CH)

(**) Term: **14 Years**

(21) Appl. No.: **29/130,717**

(22) Filed: **Oct. 10, 2000**

(30) **Foreign Application Priority Data**

Apr. 12, 2000 (DK) MA 2000 00441

(51) **LOC (7) Cl.** **07-07**

(52) **U.S. Cl.** **D7/609**

(58) **Field of Search** D7/609

(56) **References Cited**

U.S. PATENT DOCUMENTS

D. 166,225 * 3/1952 Popeil D7/609

D. 372,399 * 8/1996 Wang D7/609

D. 412,645 * 8/1999 Yang D7/609

D. 428,775 * 8/2000 Chen D7/609

* cited by examiner

Primary Examiner—Terry A. Wallace

(74) *Attorney, Agent, or Firm*—Nath & Associates PLLC;
Gary M. Nath; Marvin C. Berkowitz

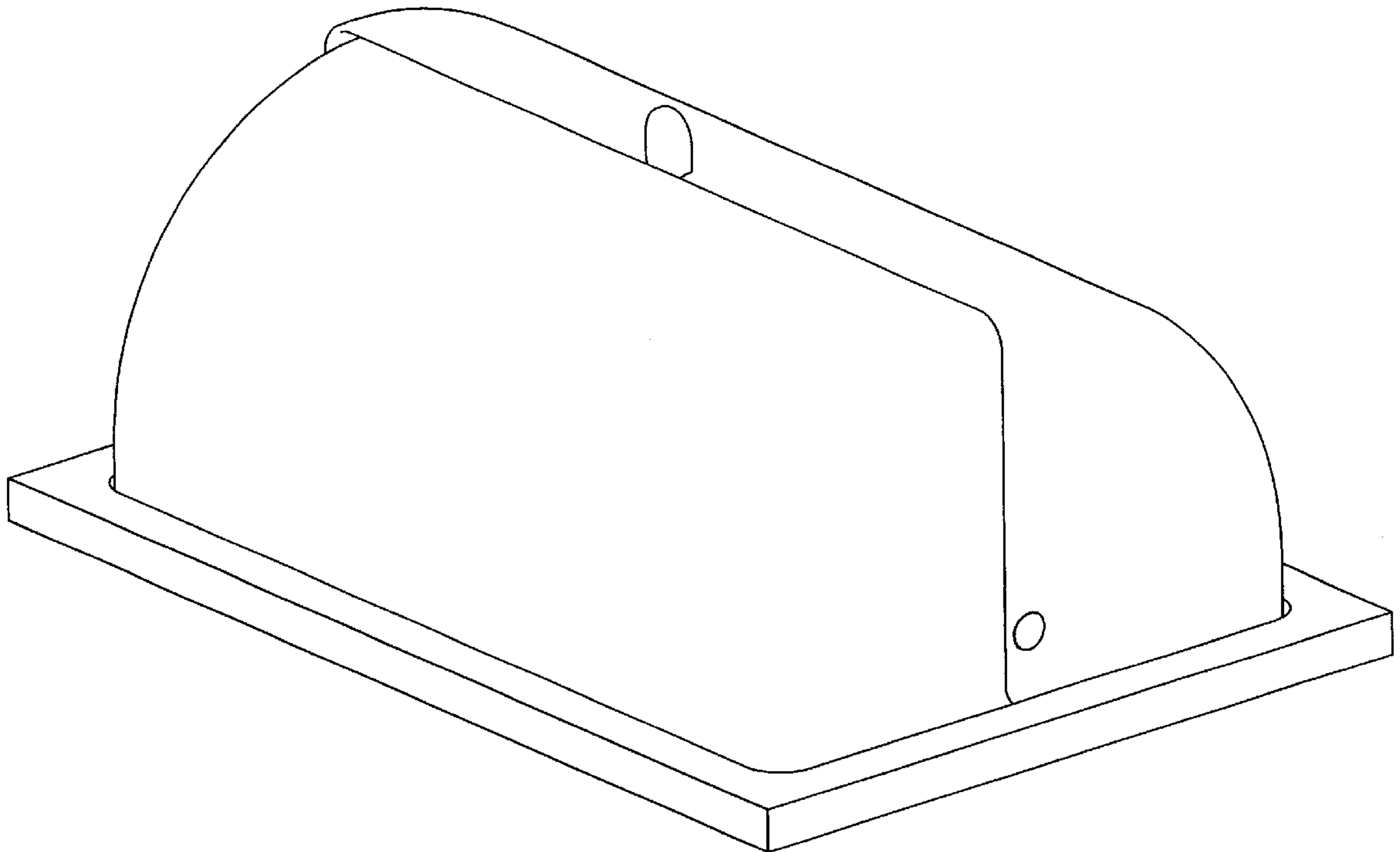
(57) **CLAIM**

The ornamental design for a bread box, as shown and described.

DESCRIPTION

FIG. 1 is an oblique perspective view of the bread box; FIG. 2 is a right side view of the bread box, as shown in FIG. 1; FIG. 3 is a left side view of the bread box; FIG. 4 is a front side view of the bread box; FIG. 5 is a back side view of the bread box; FIG. 6 is a top view of the bread box; and, FIG. 7 is a bottom view of the bread box.

1 Claim, 7 Drawing Sheets



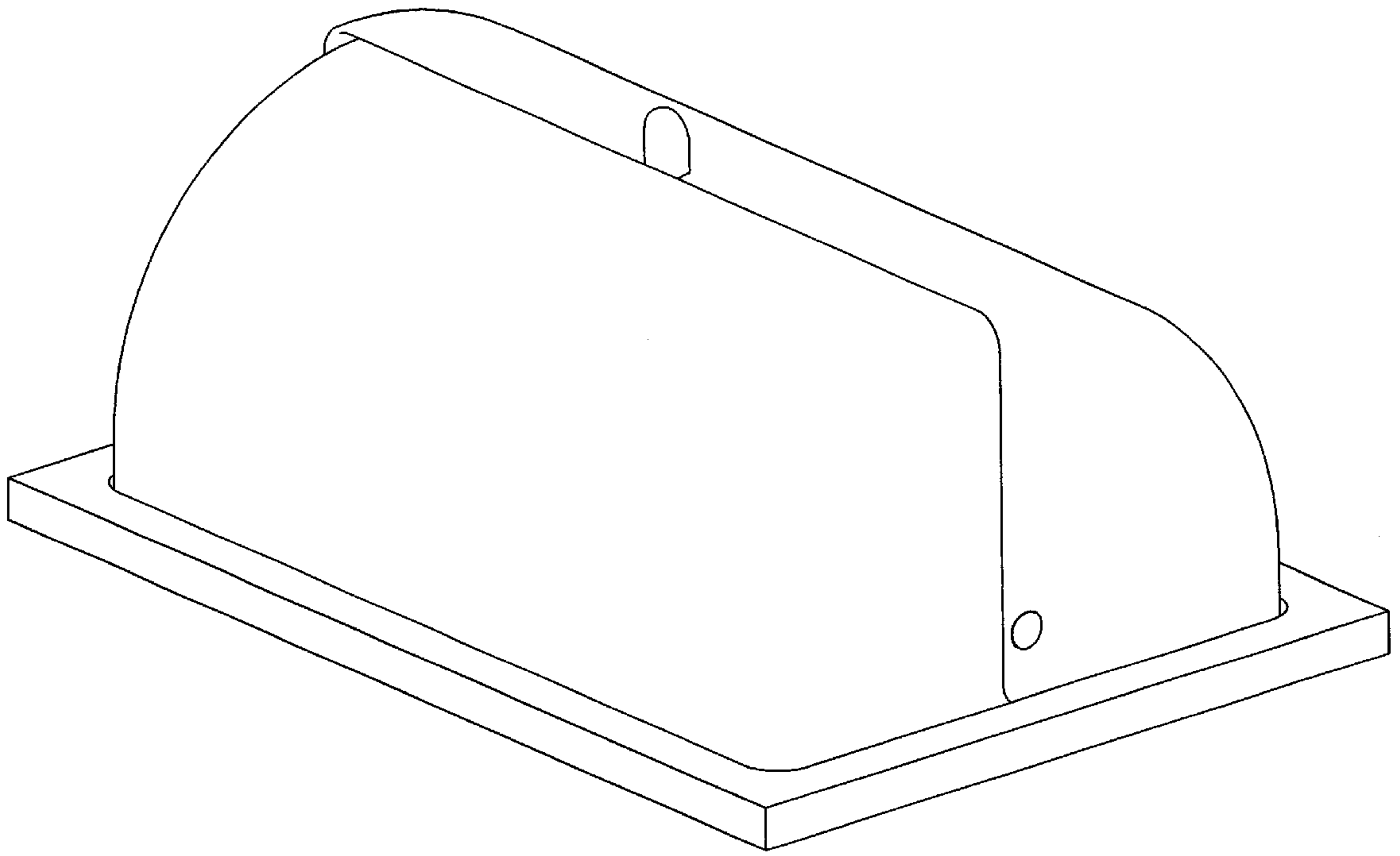


Fig. 1

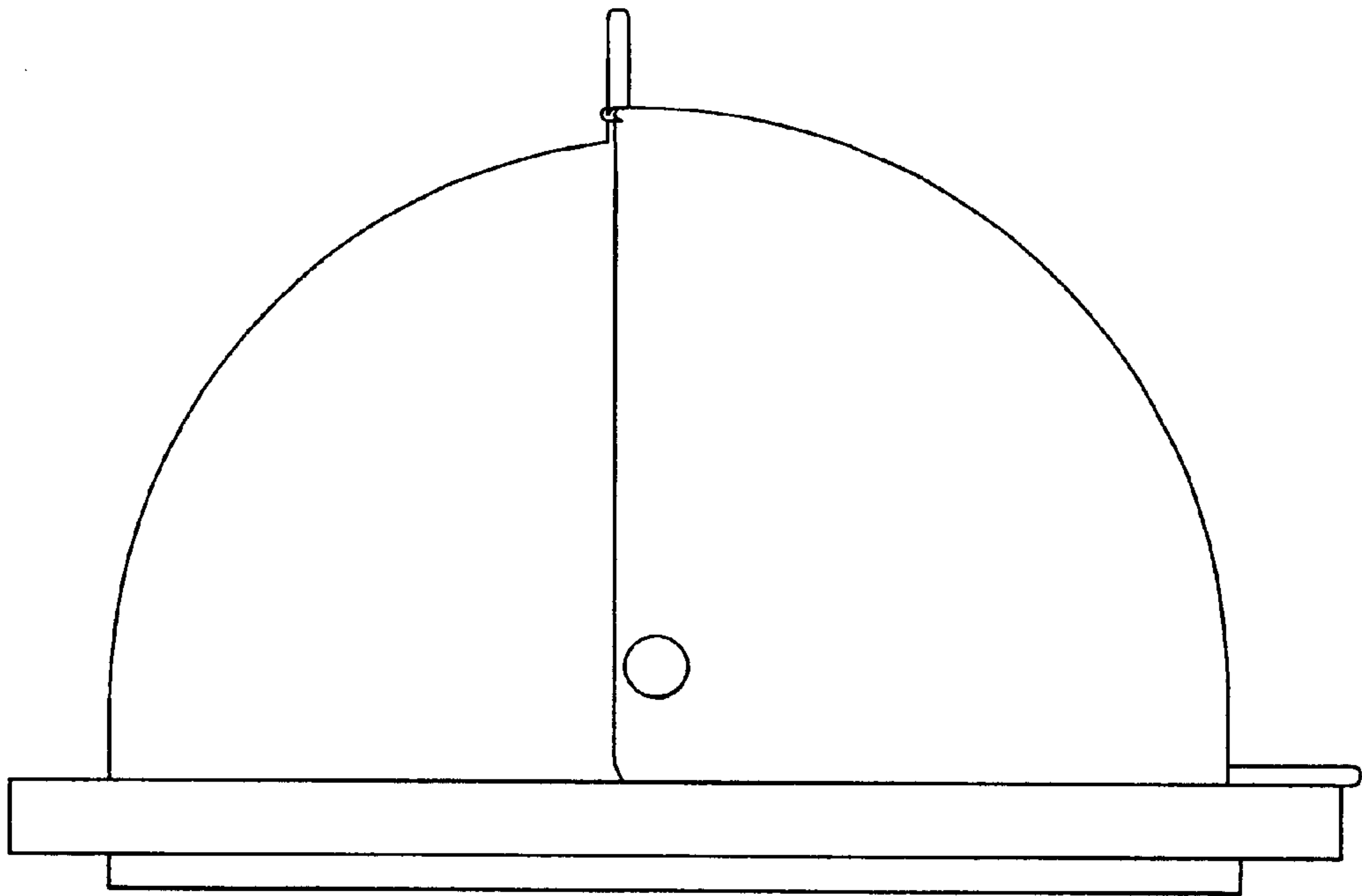


Fig. 2

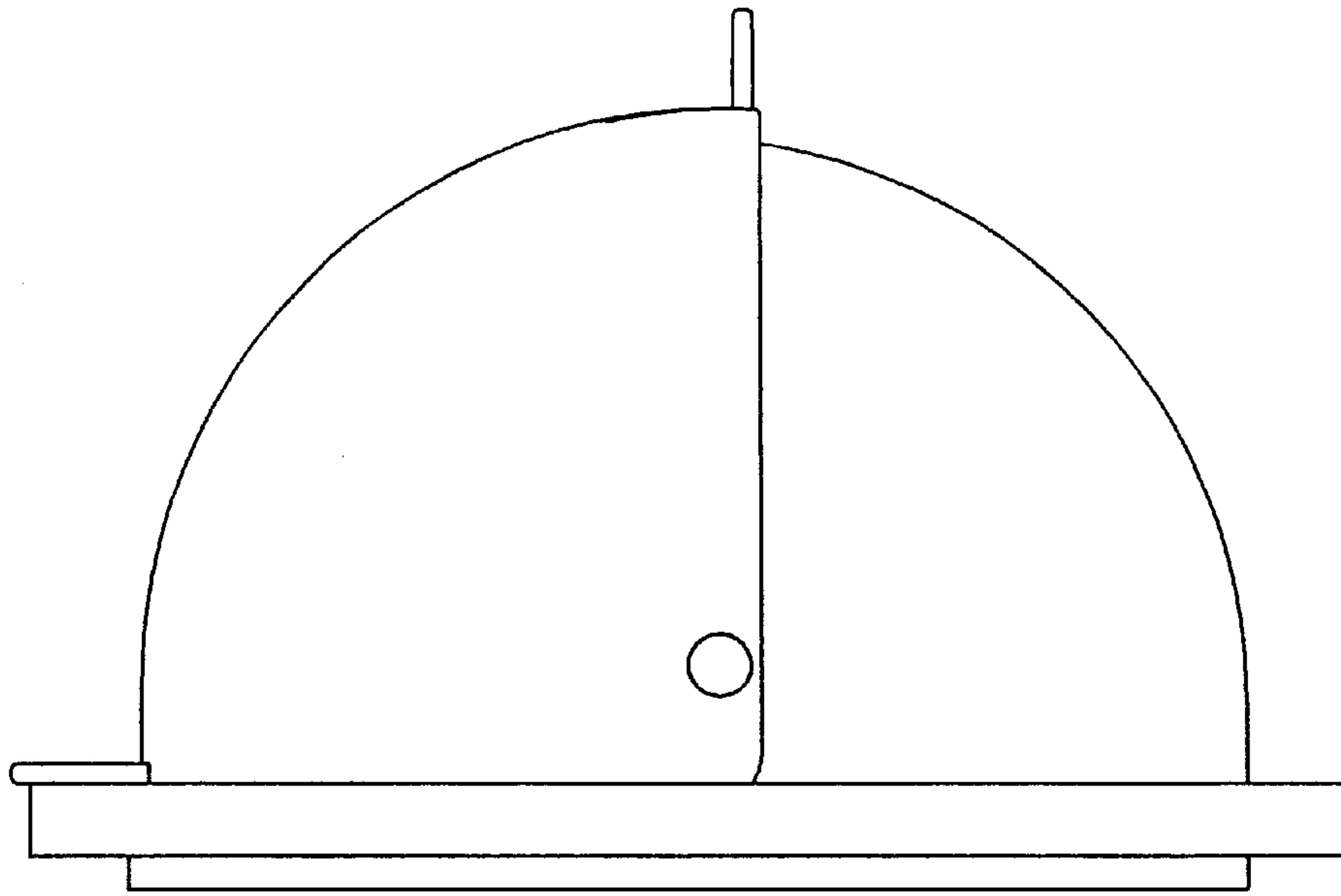


Fig. 3

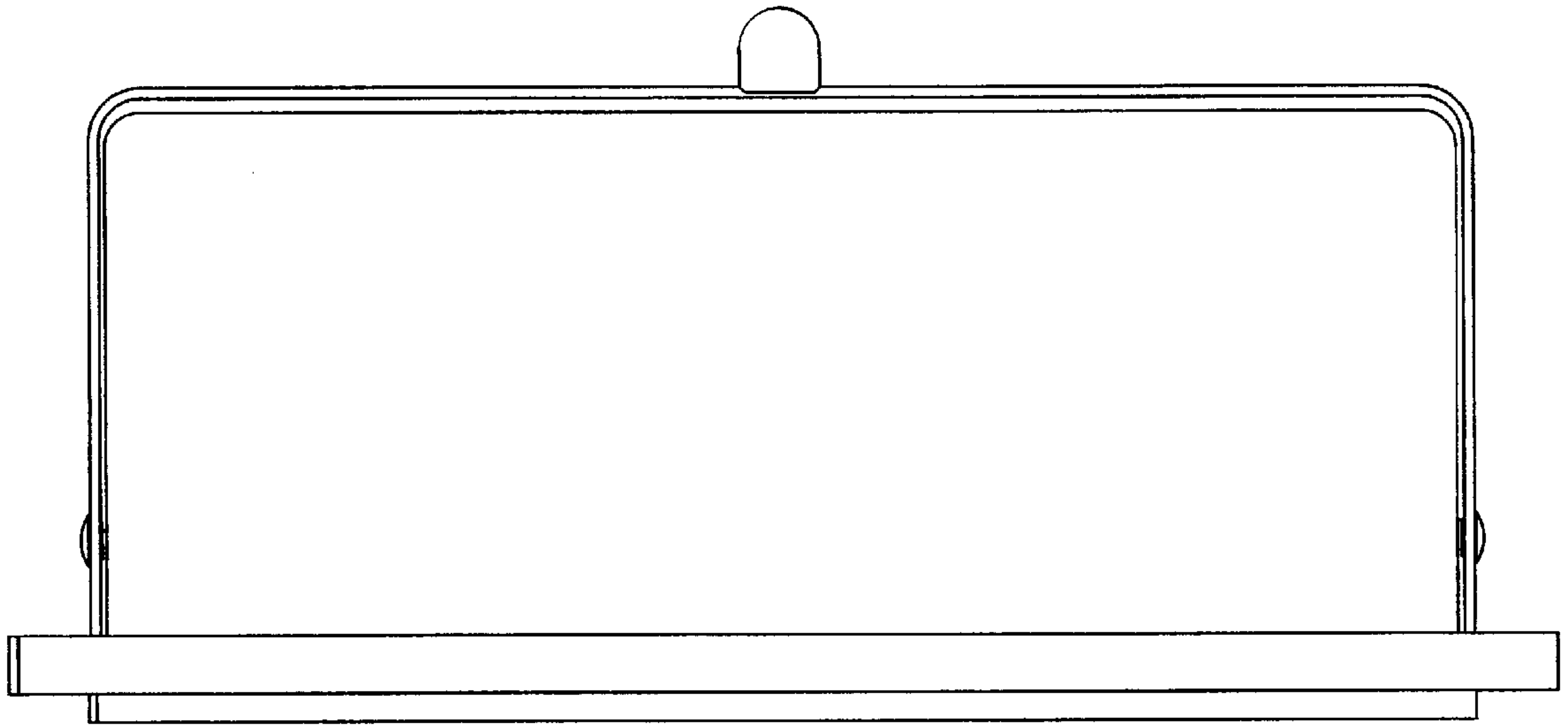


Fig. 4

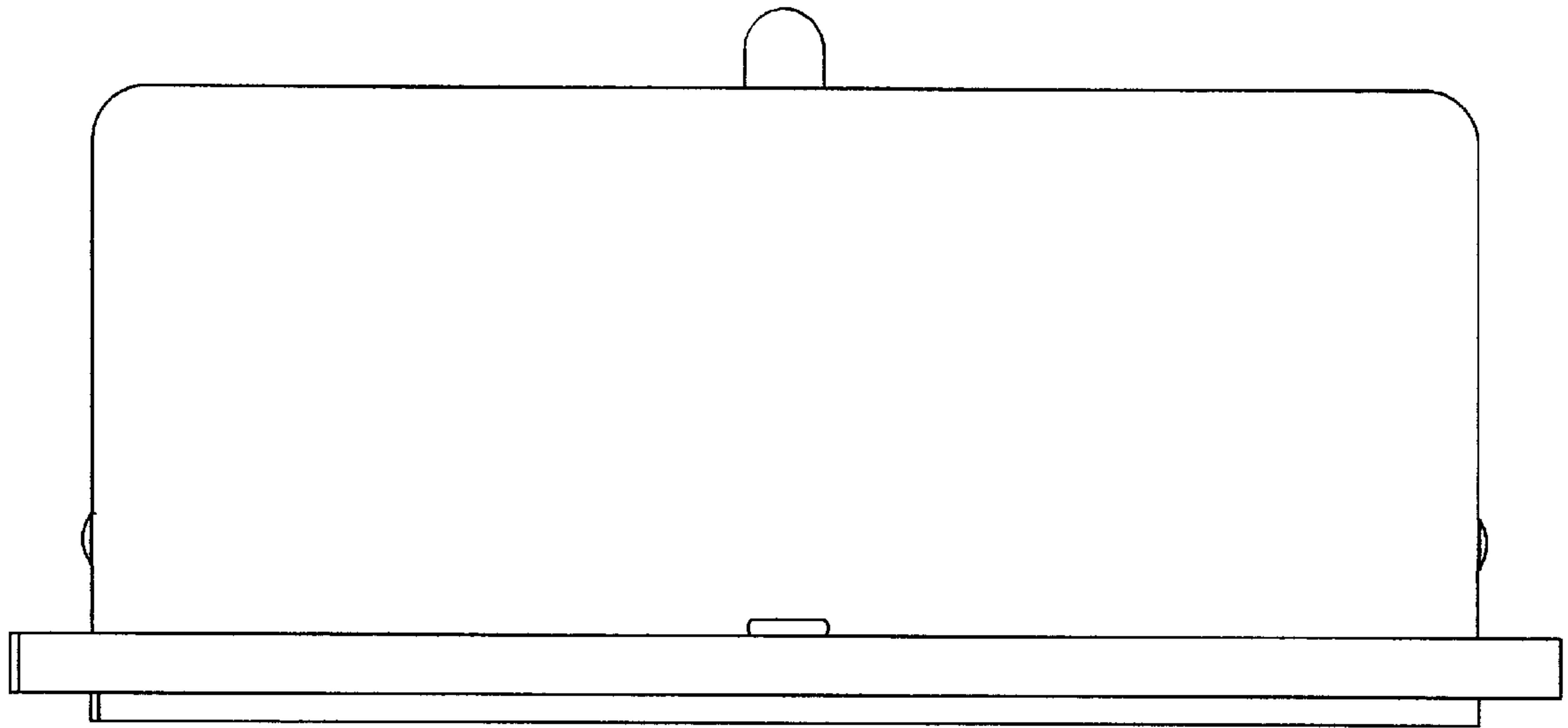


Fig. 5

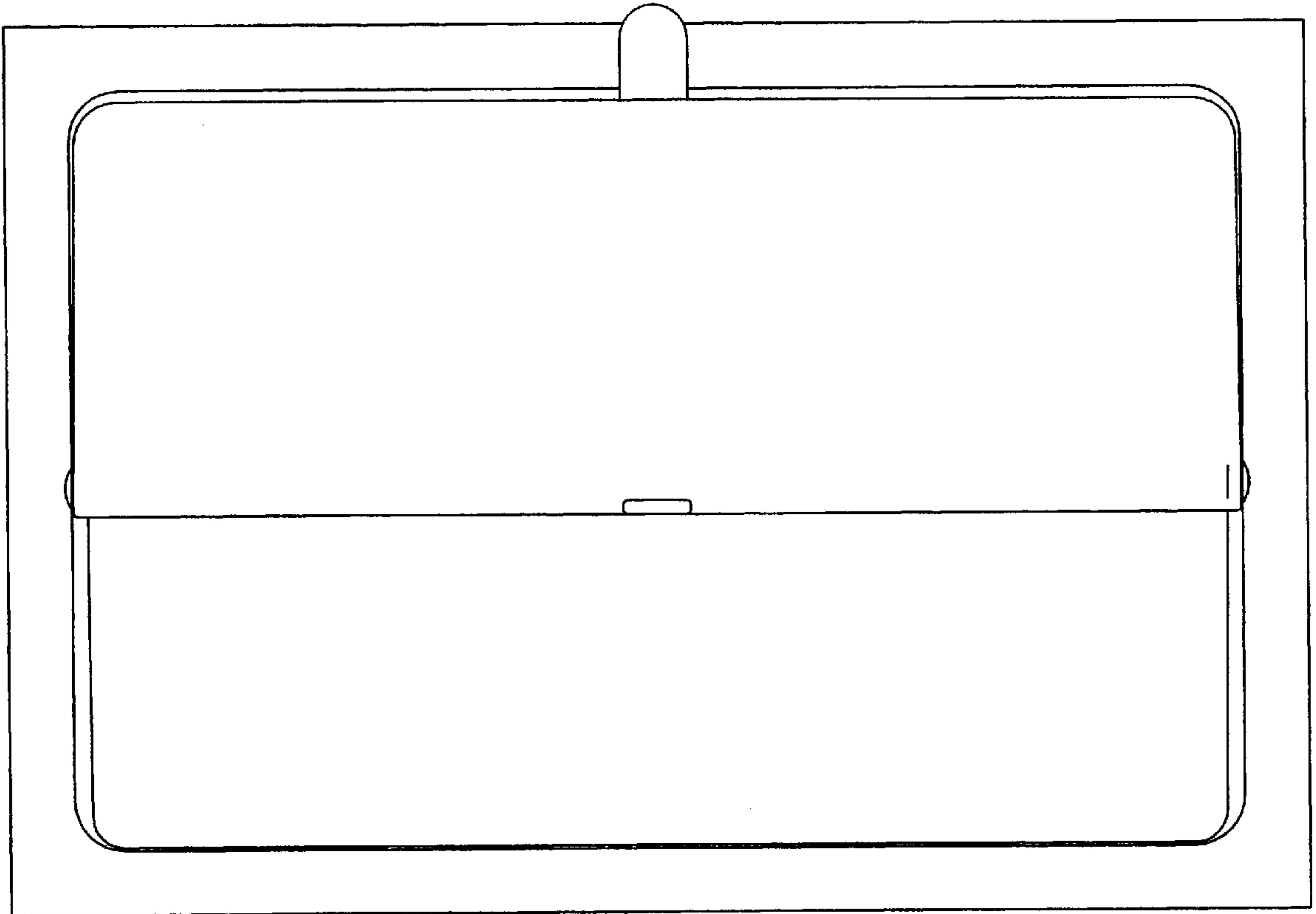


Fig. 6

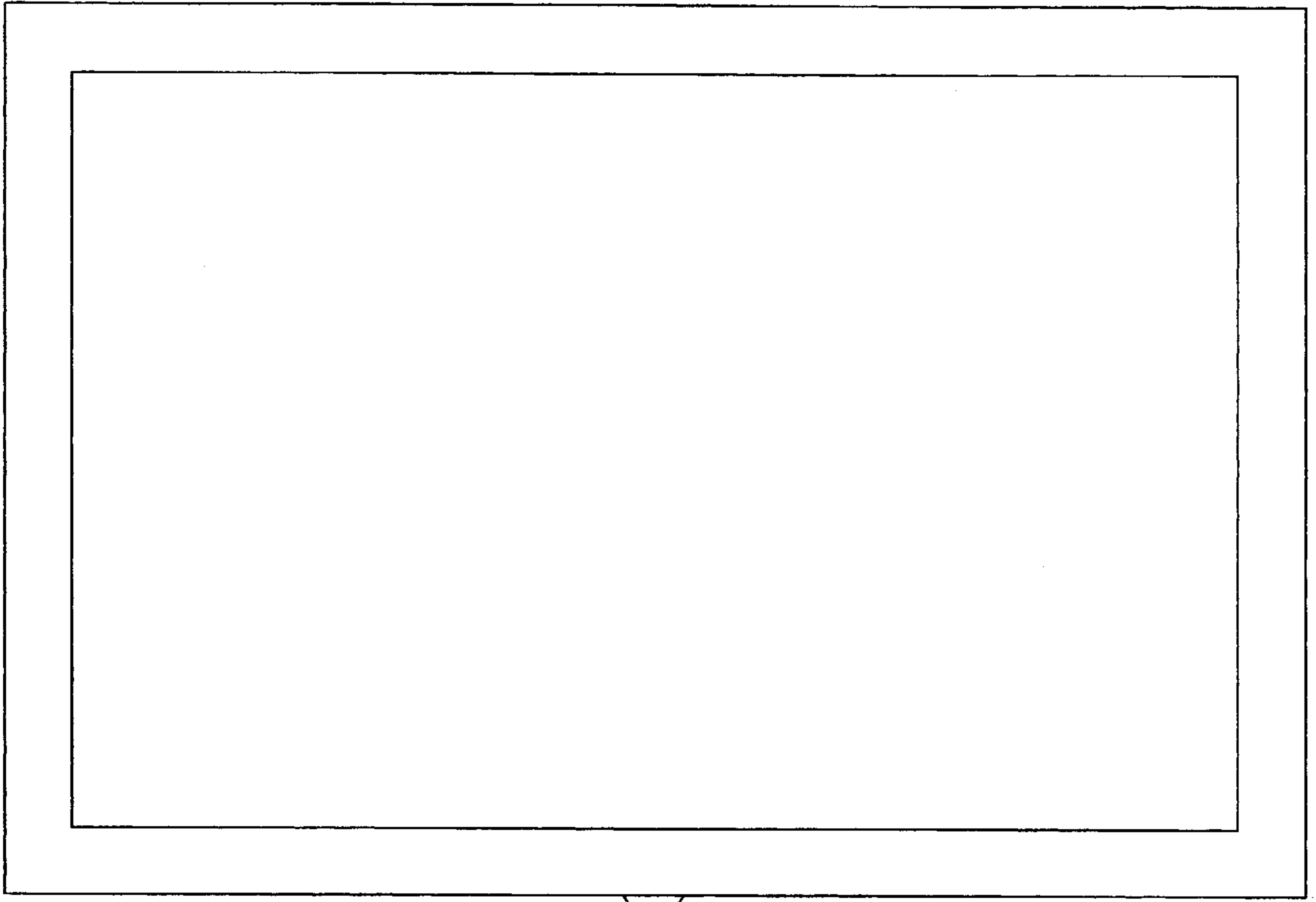


Fig. 7