



US00D448249B1

(12) **United States Design Patent**
DeCastro et al.

(10) **Patent No.:** **US D448,249 S**

(45) **Date of Patent:** **** Sep. 25, 2001**

(54) **COOLER FLOOR SUPPORT TRAY**

3,628,468 * 12/1971 Angelbeck, Jr. 108/53.1
4,565,074 * 1/1986 Morgan 62/457.1

(75) Inventors: **John DeCastro; Terry Mears; Yiyun Culp; Michael Brockel; Regis Schulte**, all of Wichita; **Tracey Beehm**, Augusta, all of KS (US)

* cited by examiner

Primary Examiner—Terry A. Wallace

(74) *Attorney, Agent, or Firm*—Kramer, Levin, Naftalis & Frankel LLP

(73) Assignee: **The Coleman Company, Inc.**, Wichita, KS (US)

(57) **CLAIM**

(**) Term: **14 Years**

The ornamental design for a cooler floor support tray, as shown and described.

(21) Appl. No.: **29/127,819**

DESCRIPTION

(22) Filed: **Aug. 11, 2000**

(51) **LOC (7) Cl.** **07-01**

(52) **U.S. Cl.** **D7/605**

(58) **Field of Search** D7/605–608; 62/457.1, 62/457.5, 457.7, 371, 372, 465, 459; 108/901; 220/915.1, 915.2; D34/38

FIG. 1 is a top perspective view of an embodiment of the new design;

FIG. 2 is a top planar view thereof;

FIG. 3 is a underside planar view thereof;

FIG. 4 is a width side planar view thereof; and,

FIG. 5 is a length side planar view thereof.

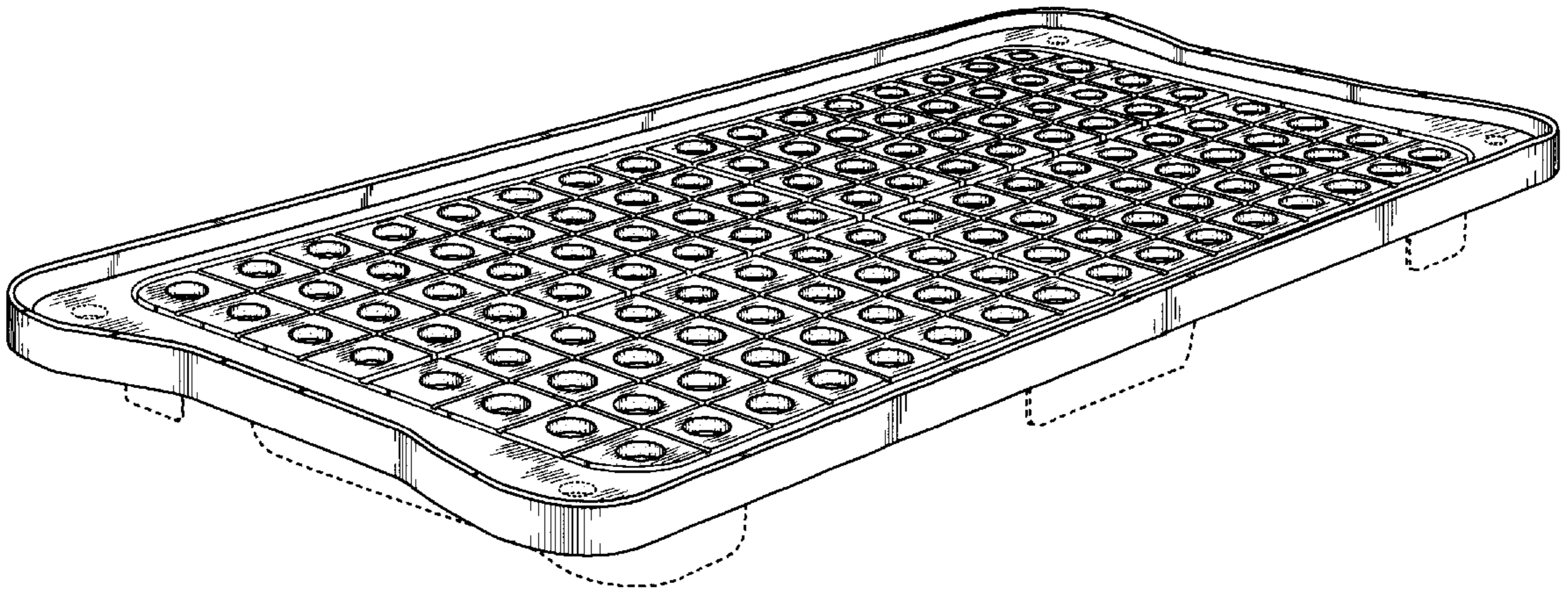
The broken lines are for illustrative purposes only and form no part of the claimed design.

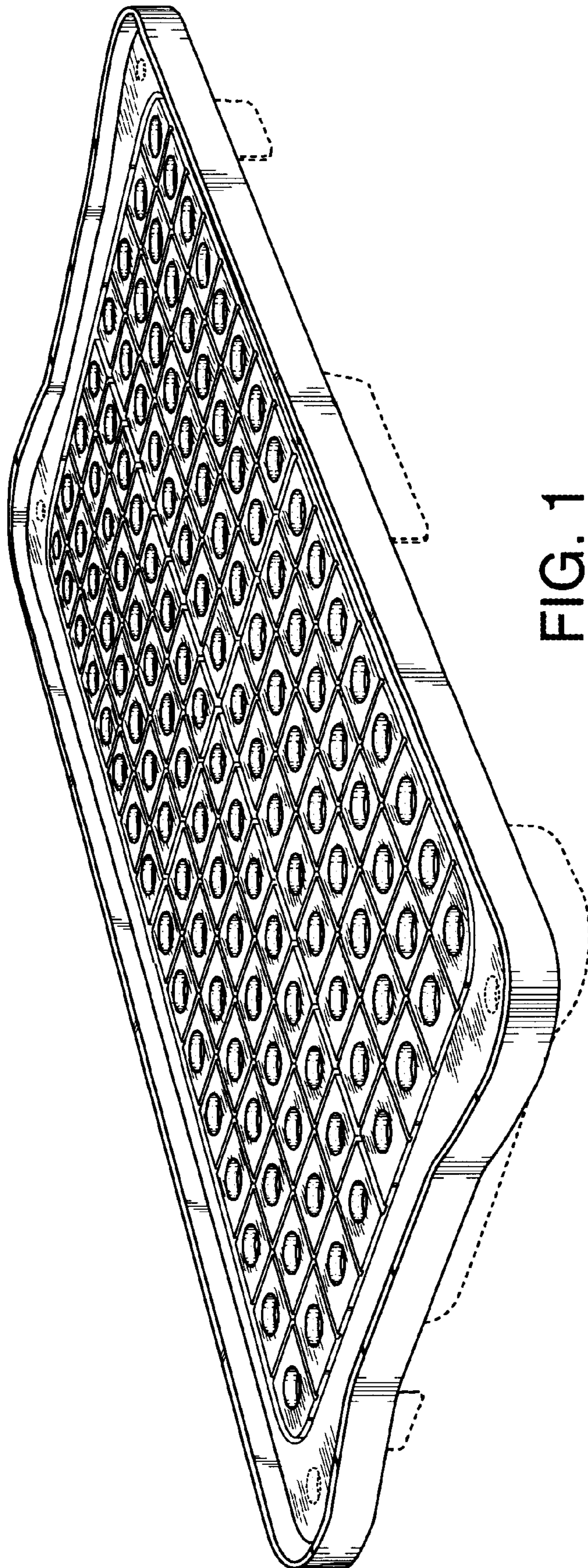
(56) **References Cited**

U.S. PATENT DOCUMENTS

D. 266,183 * 9/1982 Snow D7/605 X

1 Claim, 4 Drawing Sheets





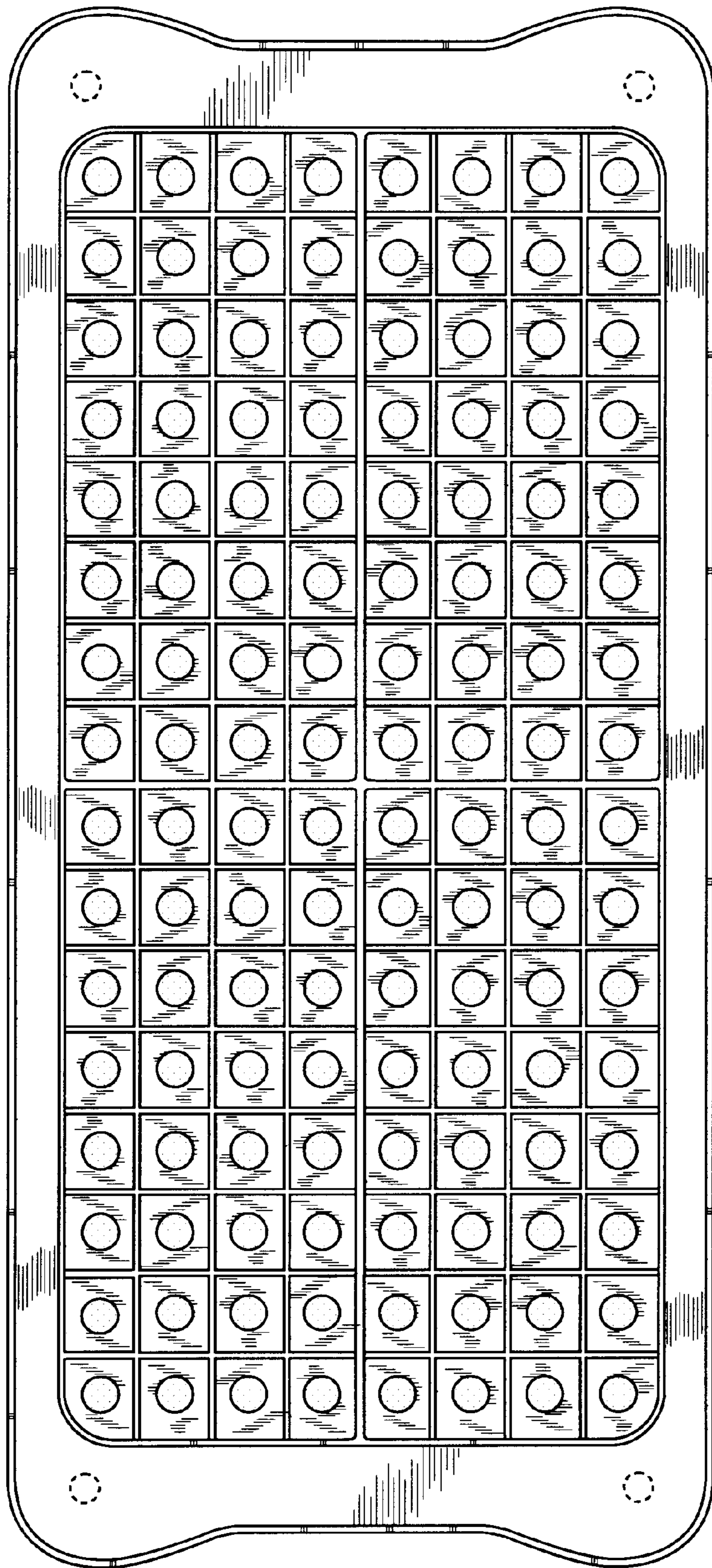


FIG. 2

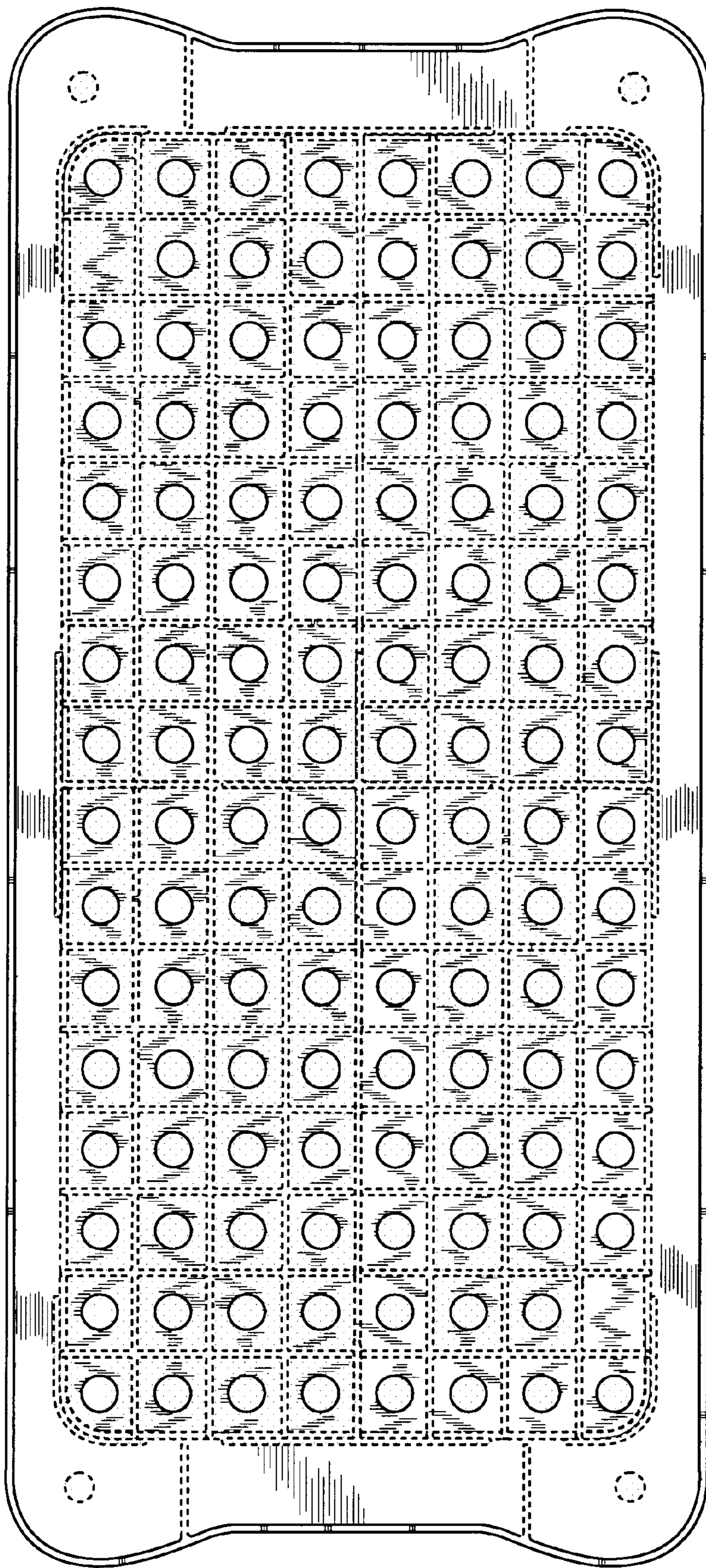


FIG. 3

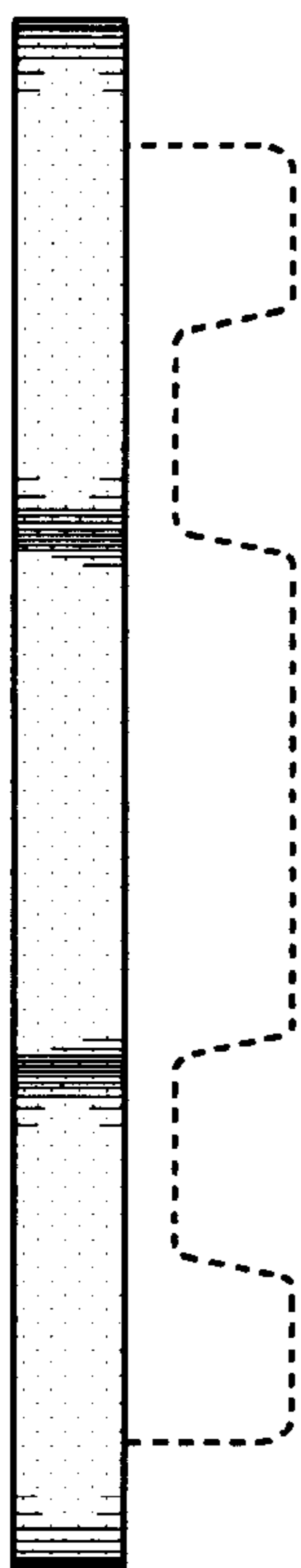


FIG. 4

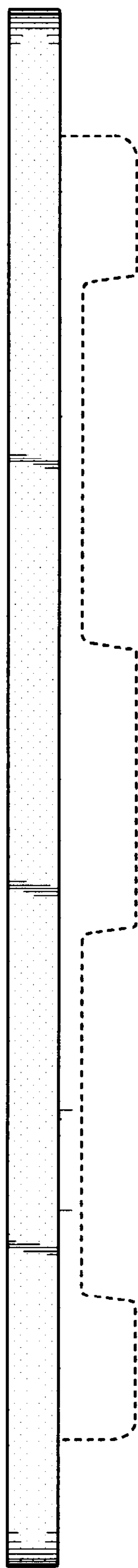


FIG. 5