



US00D448248B1

(12) **United States Design Patent**
Nichols

(10) **Patent No.:** **US D448,248 S**

(45) **Date of Patent:** **** Sep. 25, 2001**

(54) **DUAL END CONDIMENT DISPENSER**

5,421,488 6/1995 Ehrbar .
5,996,824 12/1999 Grant et al. .

(76) Inventor: **Robert L Nichols**, 513 E. Paris, Peoria,
IL (US) 61603

* cited by examiner

(**) Term: **14 Years**

Primary Examiner—Terry A. Wallace

(21) Appl. No.: **29/134,593**

(22) Filed: **Dec. 26, 2000**

(57) **CLAIM**

The ornamental design for a dual end condiment dispenser,
as shown and described.

(51) **LOC (7) Cl.** **07-06**

(52) **U.S. Cl.** **D7/596**

(58) **Field of Search** D7/590–597, 679;
222/480, 142.1–142.9, 185.1, 482; 241/169,
169.1, 168

DESCRIPTION

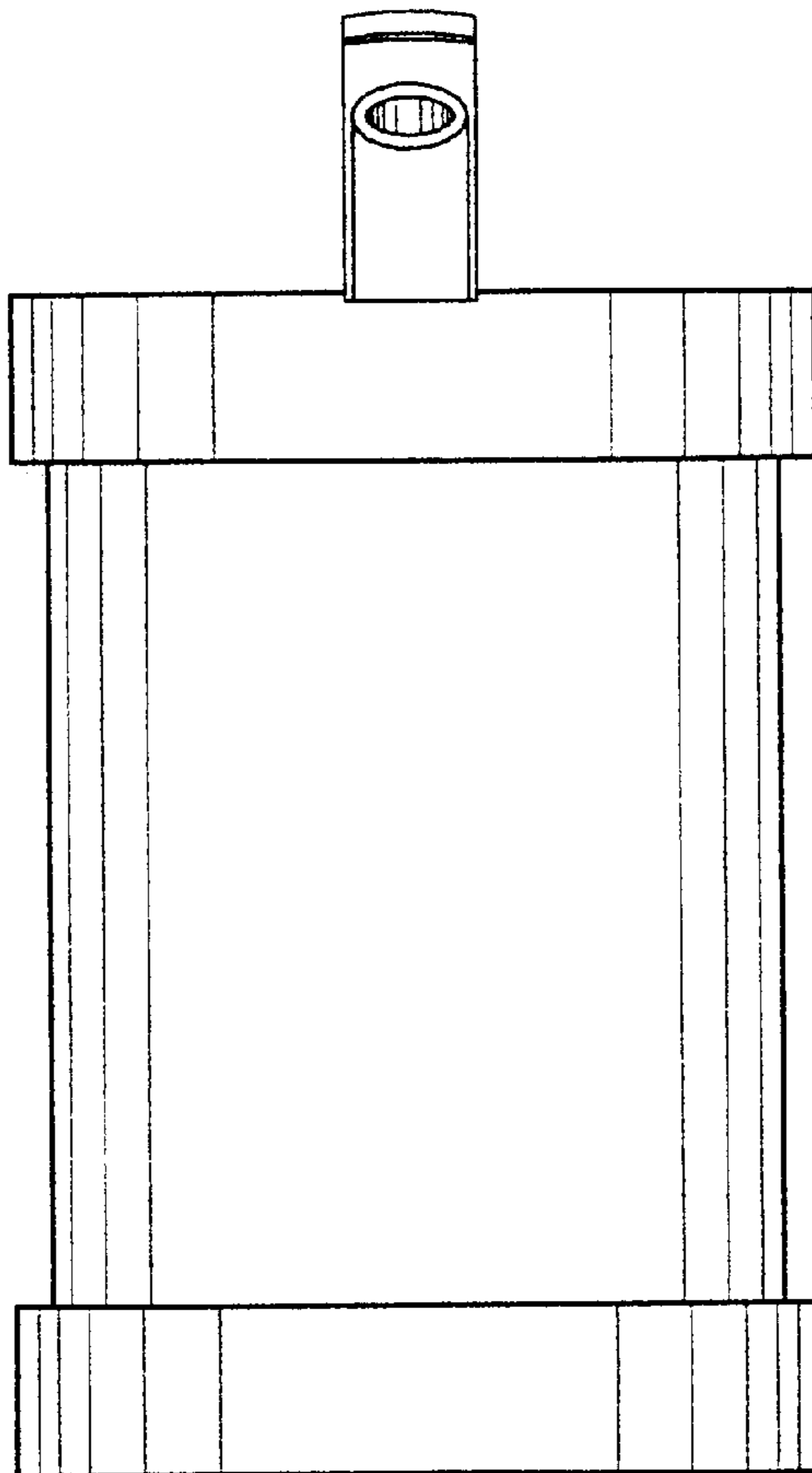
FIG. 1 is a front elevational view of the dual end condiment dispenser of the present invention;
FIG. 2 is a rear elevational view of the dual end condiment dispenser of FIG. 1;
FIG. 3 is a right side elevational view of the dual end condiment dispenser of FIG. 1, the left view being a mirror image thereof;
FIG. 4 is a top plan view of the dual end condiment dispenser of FIG. 1;
FIG. 5 is a bottom plan view of the dual end condiment dispenser of FIG. 1; and,
FIG. 6 is a top, front, right side perspective view of the dual end condiment dispenser of FIG. 1.

(56) **References Cited**

U.S. PATENT DOCUMENTS

D. 269,316	*	6/1983	Conti	D7/591
D. 354,909	*	1/1995	Blanche	D7/596 X
D. 404,971	*	2/1999	Atkinson et al.	D7/590
D. 415,963		11/1999	Kapper	.	
3,229,867	*	1/1966	Torii et al.	222/480
4,131,211		12/1978	Corbic	.	
5,033,655		7/1991	Brown	.	
5,141,136		8/1992	Tignor	.	

1 Claim, 4 Drawing Sheets



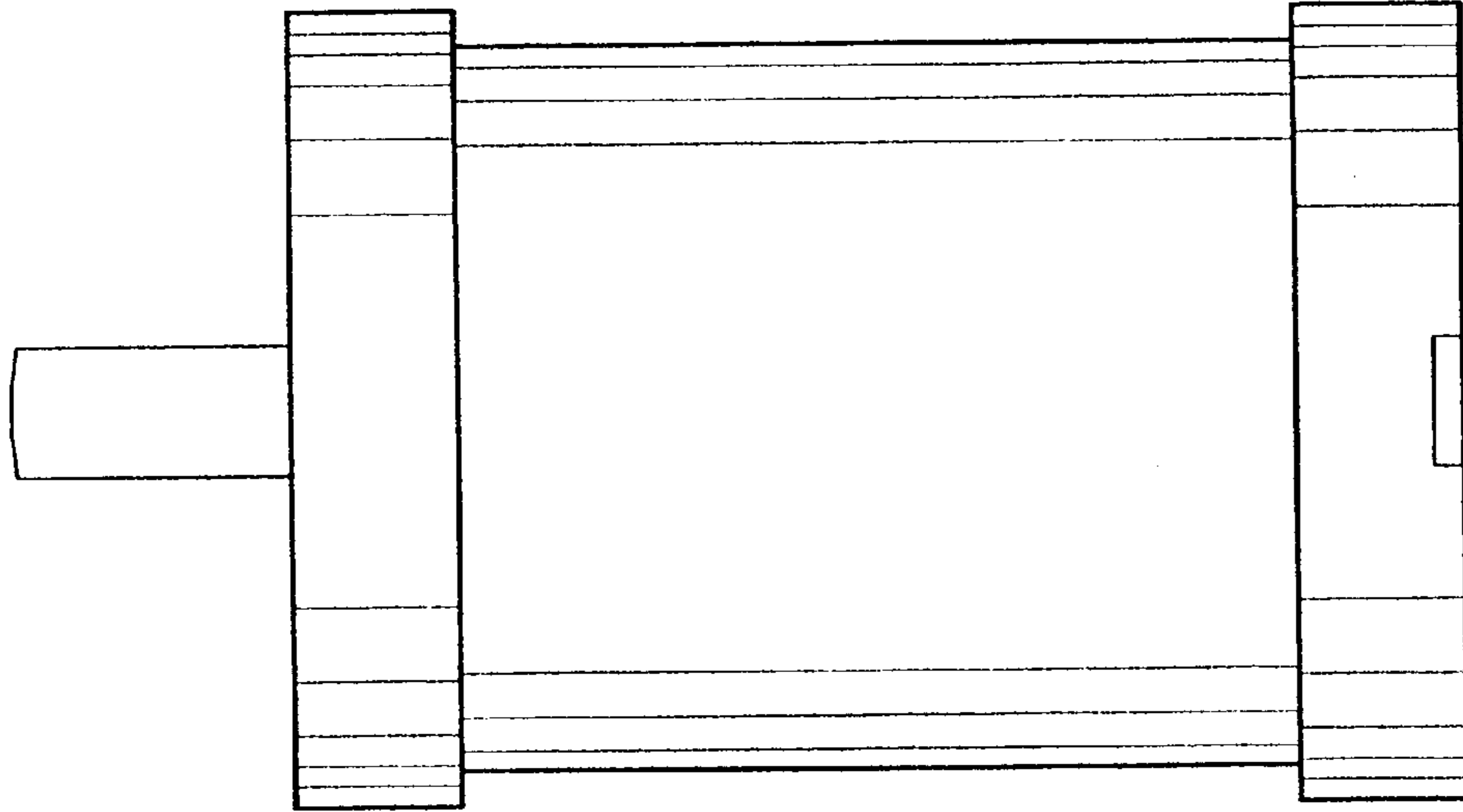


FIG. 2

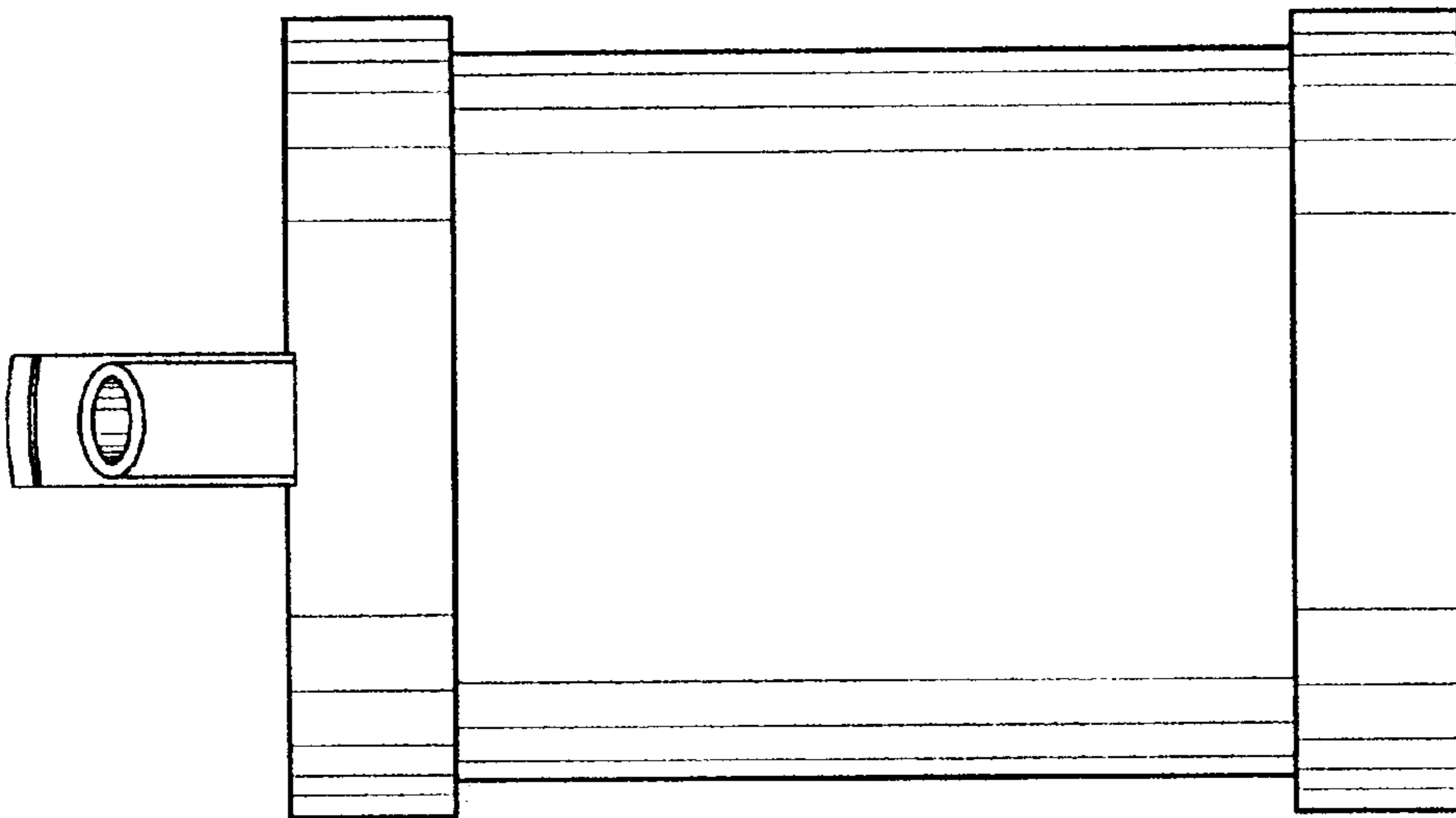


FIG. 1

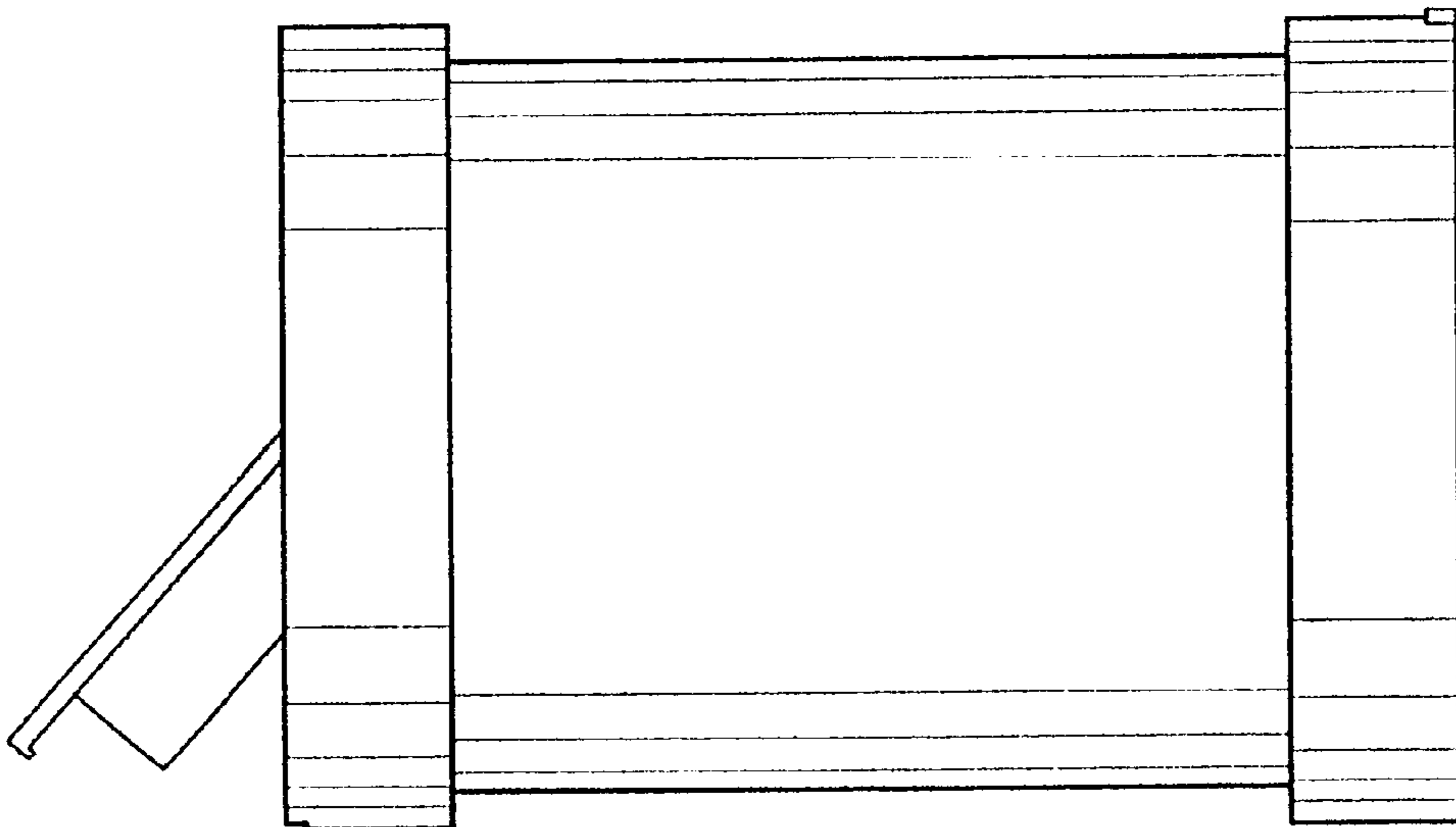


FIG. 3

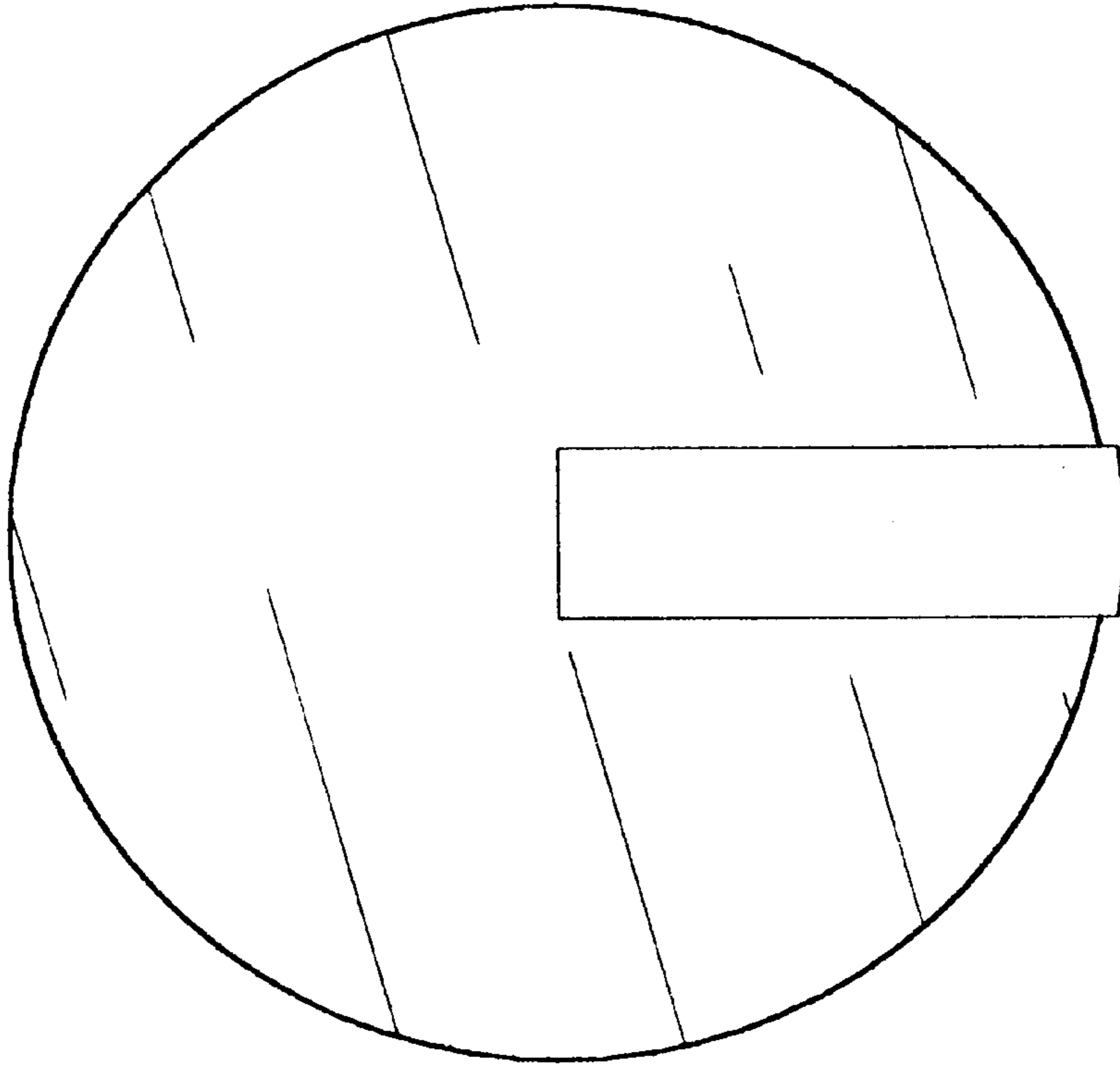


FIG. 5

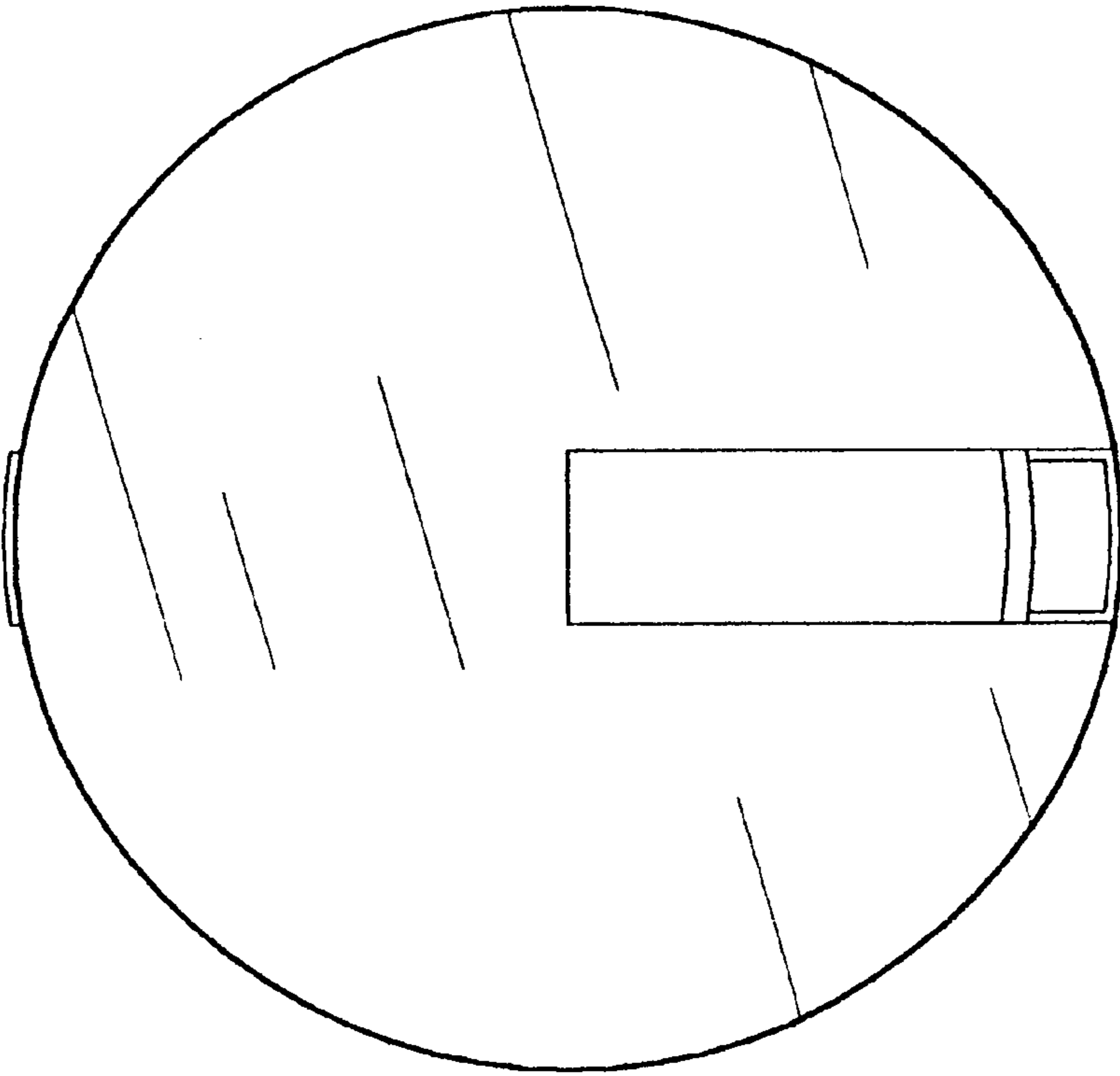


FIG. 4

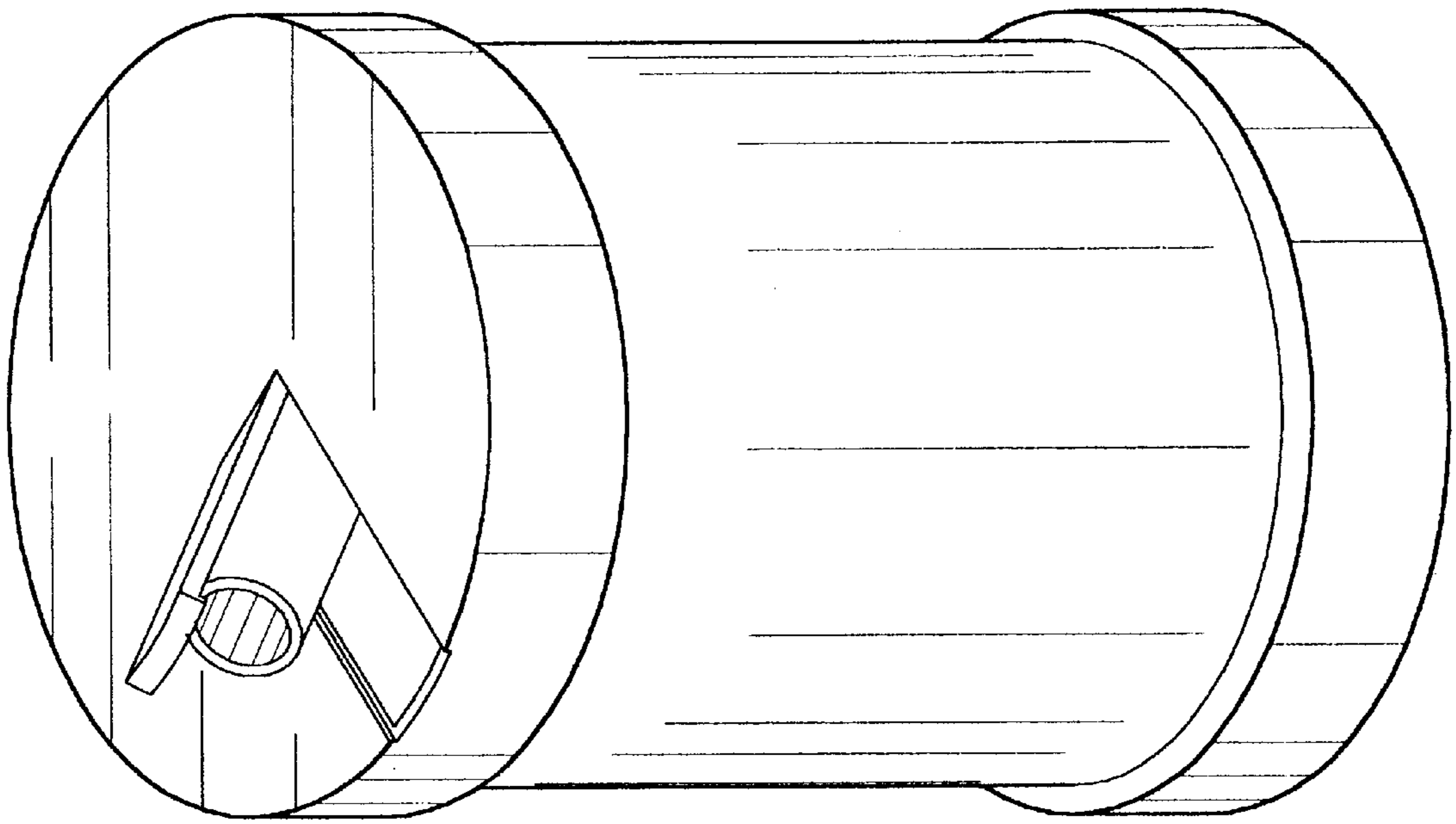


FIG. 6