



US00D448247B1

(12) **United States Design Patent**
Hong

(10) **Patent No.:** **US D448,247 S**

(45) **Date of Patent:** **** Sep. 25, 2001**

(54) **SEASONING CONTAINER**

FOREIGN PATENT DOCUMENTS

(75) Inventor: **Park Hong**, Taipei (TW)
(73) Assignee: **Prodyne Enterprises, Inc.**, Rancho Cucamonga, CA (US)
(**) Term: **14 Years**

771889 * 4/1957 (GB) 215/6
2091229 * 7/1982 (GB) 215/6

* cited by examiner

Primary Examiner—Terry A. Wallace
(74) *Attorney, Agent, or Firm*—Richard D. Slehofer

(21) Appl. No.: **29/035,428**
(22) Filed: **Feb. 27, 1995**

(57) **CLAIM**

The ornamental design for a seasoning container, as shown and described.

(51) **LOC (7) Cl.** **07-06**
(52) **U.S. Cl.** **D7/591**
(58) **Field of Search** D7/590–596; D9/341, D9/347; 206/508, 509; 220/4.27, 4.26; 222/480, 565, 143, 142.1–142.9; 215/10, 6

DESCRIPTION

FIG. 1 is a perspective view of the seasoning container showing my new design taken from slightly above a side of the container;
FIG. 2 is a side elevational view thereof;
FIG. 3 is a top plan view thereof;
FIG. 4 is a bottom view thereof;
FIG. 5 is a side sectional view thereof taken along the line 5–5 of FIG. 2; and,
FIG. 6 is a perspective view of a stack of seasoning containers, each showing my new design with the additional containers in the stack being shown in broken lines for illustrative purposes only since the stack itself forms no part of the claimed design.

(56) **References Cited**

U.S. PATENT DOCUMENTS

D. 148,862 * 2/1948 Kasin D7/591
D. 318,778 * 8/1991 Fiore et al. D7/591
769,615 * 9/1904 Kosansvich 215/10
2,631,747 * 3/1953 Stolte 215/10
2,663,450 * 12/1953 Bourcart 220/4.27 X
3,067,896 * 12/1962 Berg et al. 220/4.27 X
3,217,915 * 11/1965 Weygandt 215/10
4,714,181 * 12/1987 Kozlowski et al. 222/480
5,401,200 * 3/1995 Ellis 220/4.27 X

1 Claim, 3 Drawing Sheets

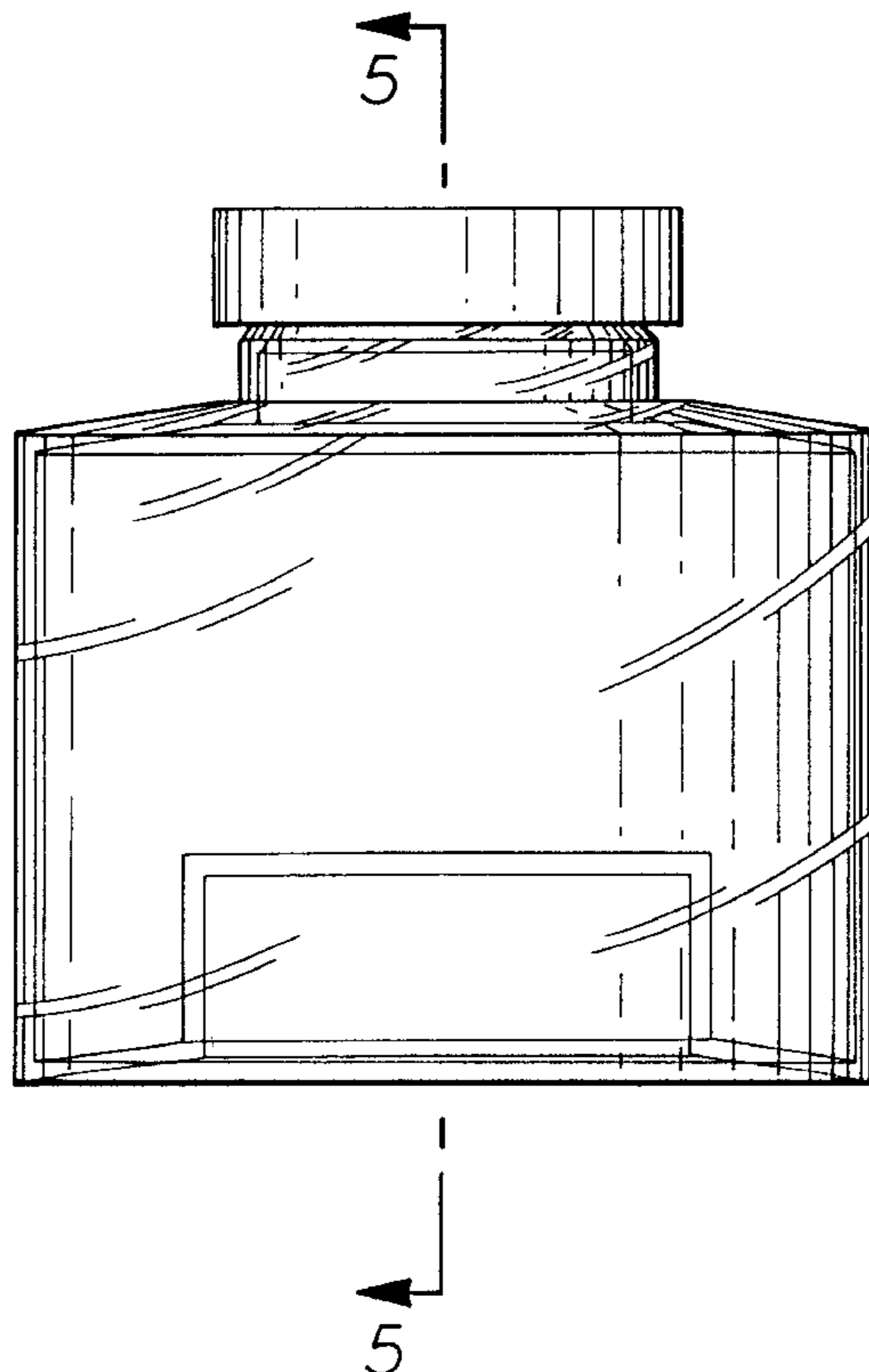


FIG. 1

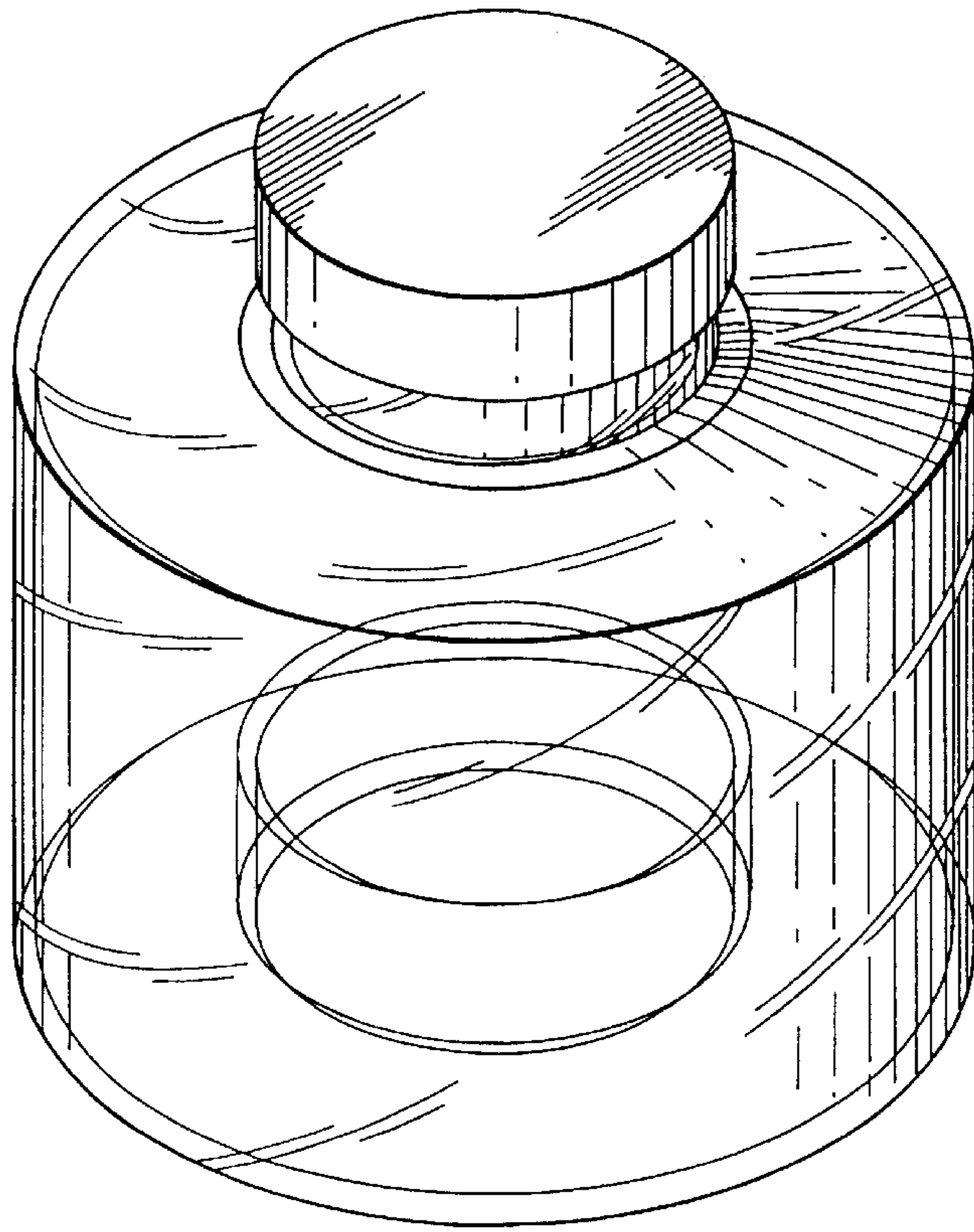
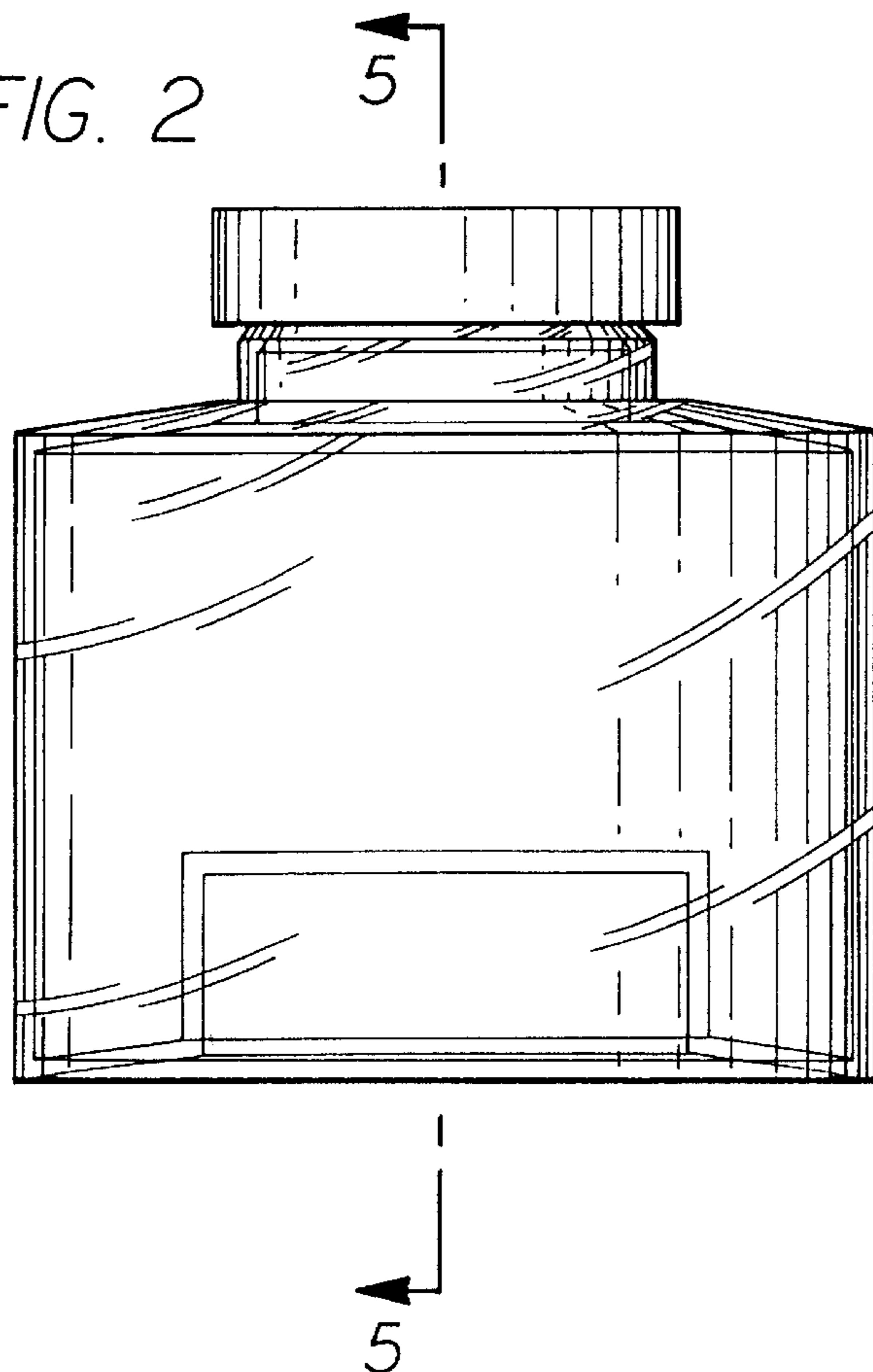


FIG. 2



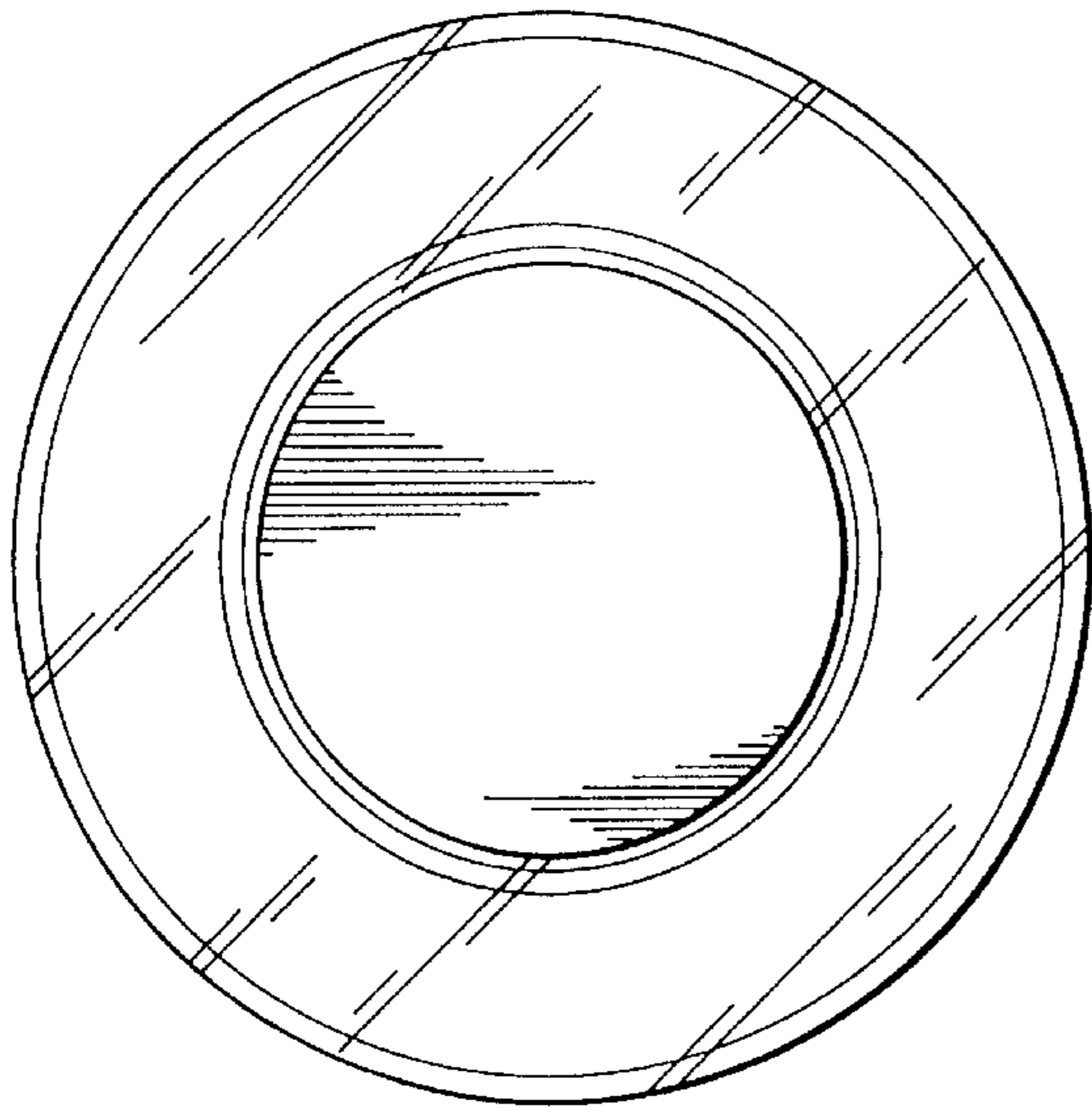


FIG. 3

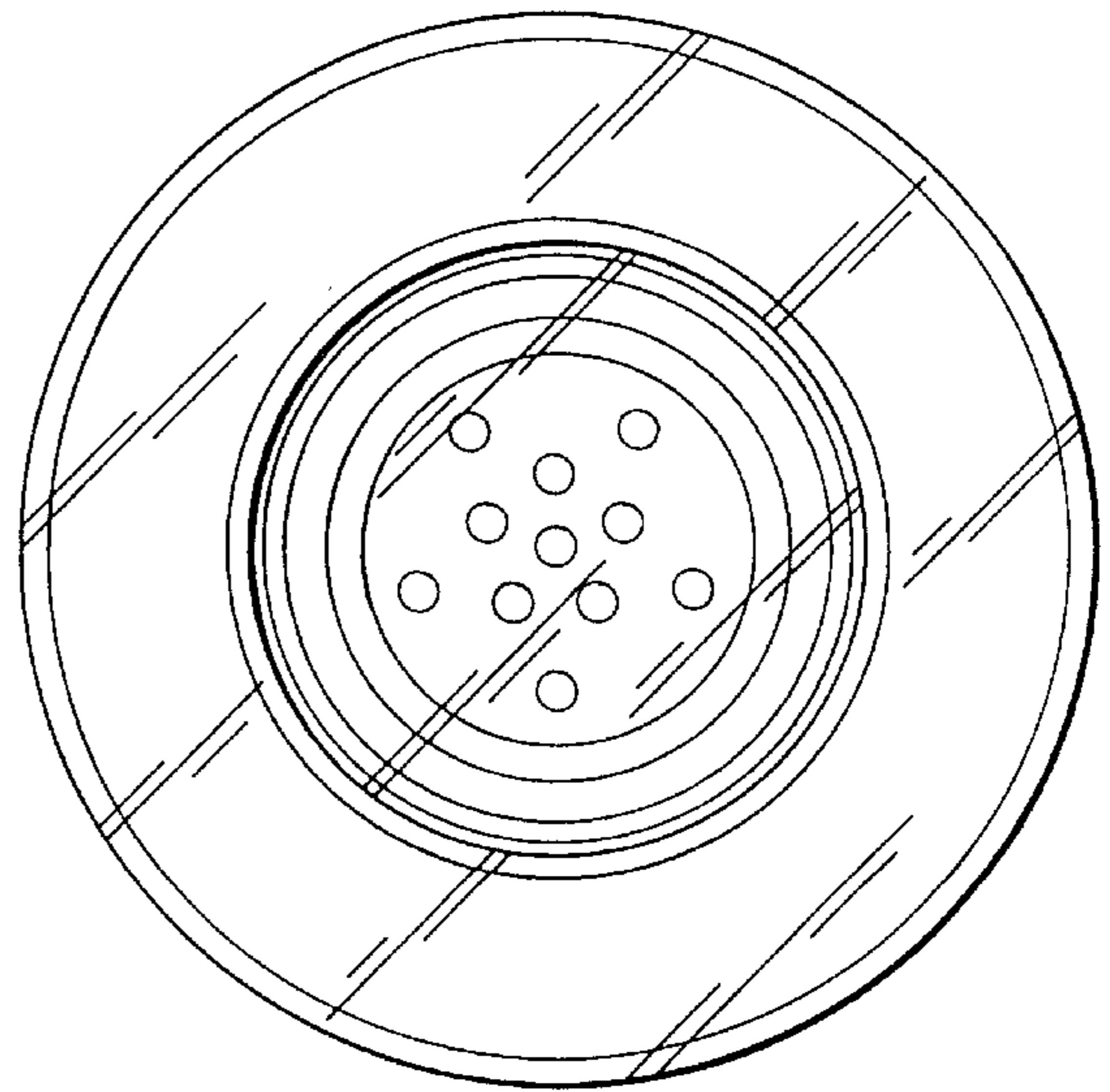


FIG. 4

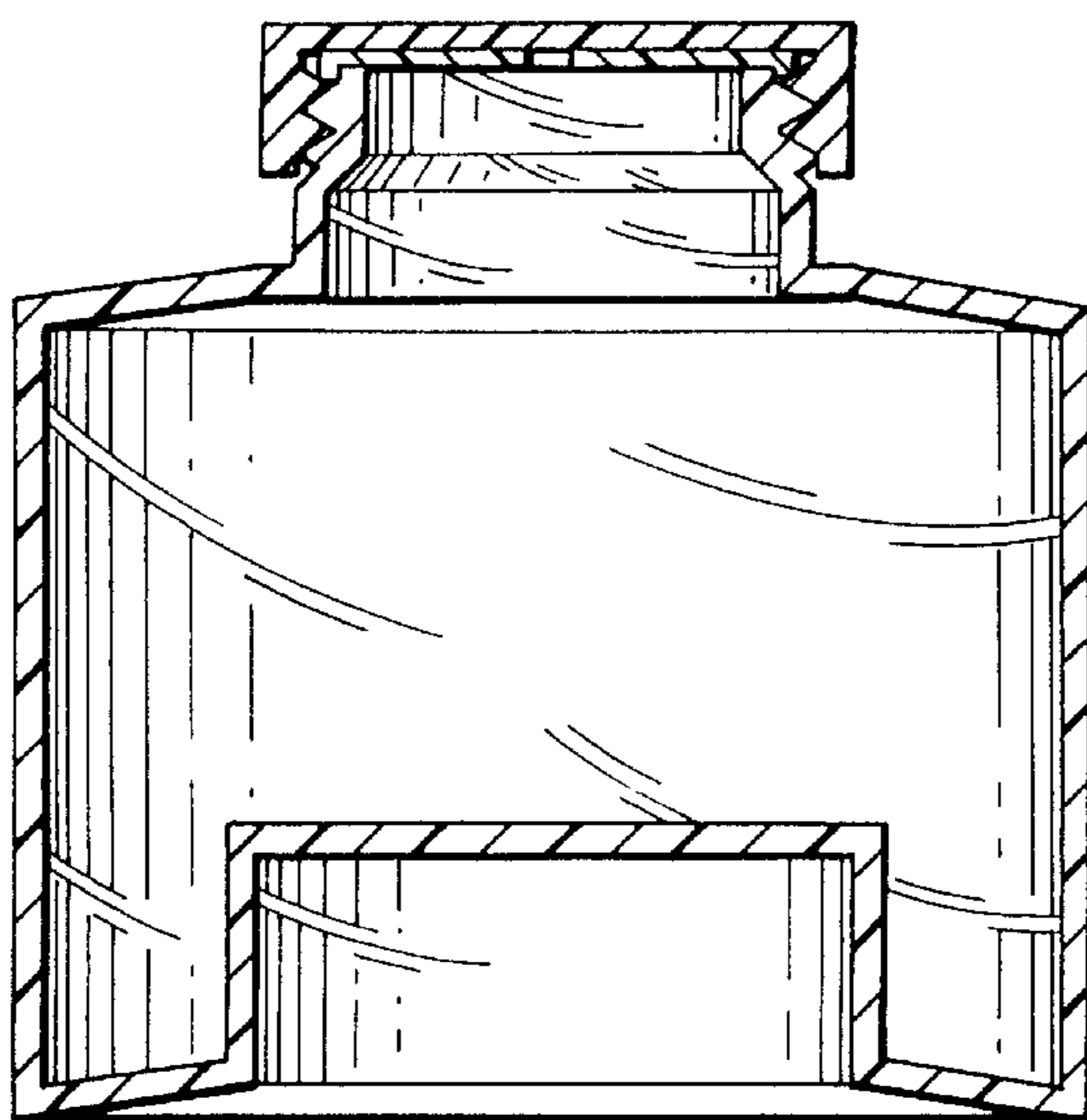


FIG. 5

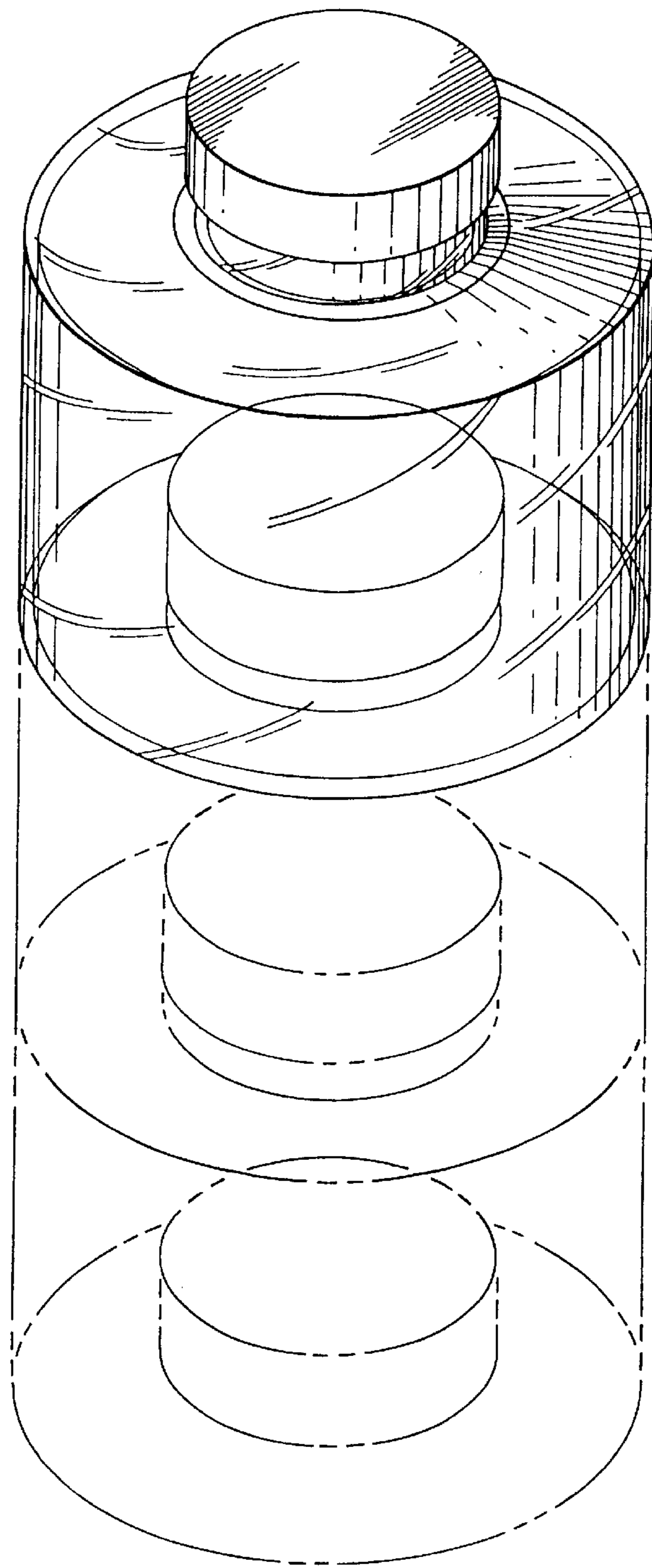


FIG. 6