



US00D448245B1

(12) **United States Design Patent**  
**Yeh**

(10) **Patent No.:** **US D448,245 S**

(45) **Date of Patent:** **\*\* Sep. 25, 2001**

(54) **DRINKING CUP**

(76) Inventor: **Chung-Jang Yeh**, No.87, Bei Mei Road, Ho Mei Town, Chang Hua Hsien (TW)

(\*\*) Term: **14 Years**

(21) Appl. No.: **29/123,694**

(22) Filed: **May 24, 2000**

(51) **LOC (7) Cl.** ..... **07-01**

(52) **U.S. Cl.** ..... **D7/536; D7/533**

(58) **Field of Search** ..... D7/509, 510, 511, D7/533, 536, 622, 319; 220/713, 373, 630, 737, 715, 741; 215/395; 165/47; 294/33

(56) **References Cited**

**U.S. PATENT DOCUMENTS**

D. 211,818 \* 7/1968 Massey ..... D7/622  
D. 302,634 \* 8/1989 Segal ..... D7/536  
D. 350,457 \* 9/1994 Bailey ..... D7/622

D. 366,597 \* 1/1996 Smith et al. .... D7/536  
D. 416,444 \* 11/1999 Jorgensen ..... D7/536  
2,961,112 \* 11/1960 Didion ..... 215/395

\* cited by examiner

*Primary Examiner*—M. N. Pandozzi

(74) *Attorney, Agent, or Firm*—Bacon & Thomas, PLLC

(57) **CLAIM**

The ornamental design for drinking cup, as shown and described.

**DESCRIPTION**

FIG. 1 is a perspective view of drinking cup showing my new design;

FIG. 2 is a front elevational view thereof;

FIG. 3 is a rear elevational view thereof;

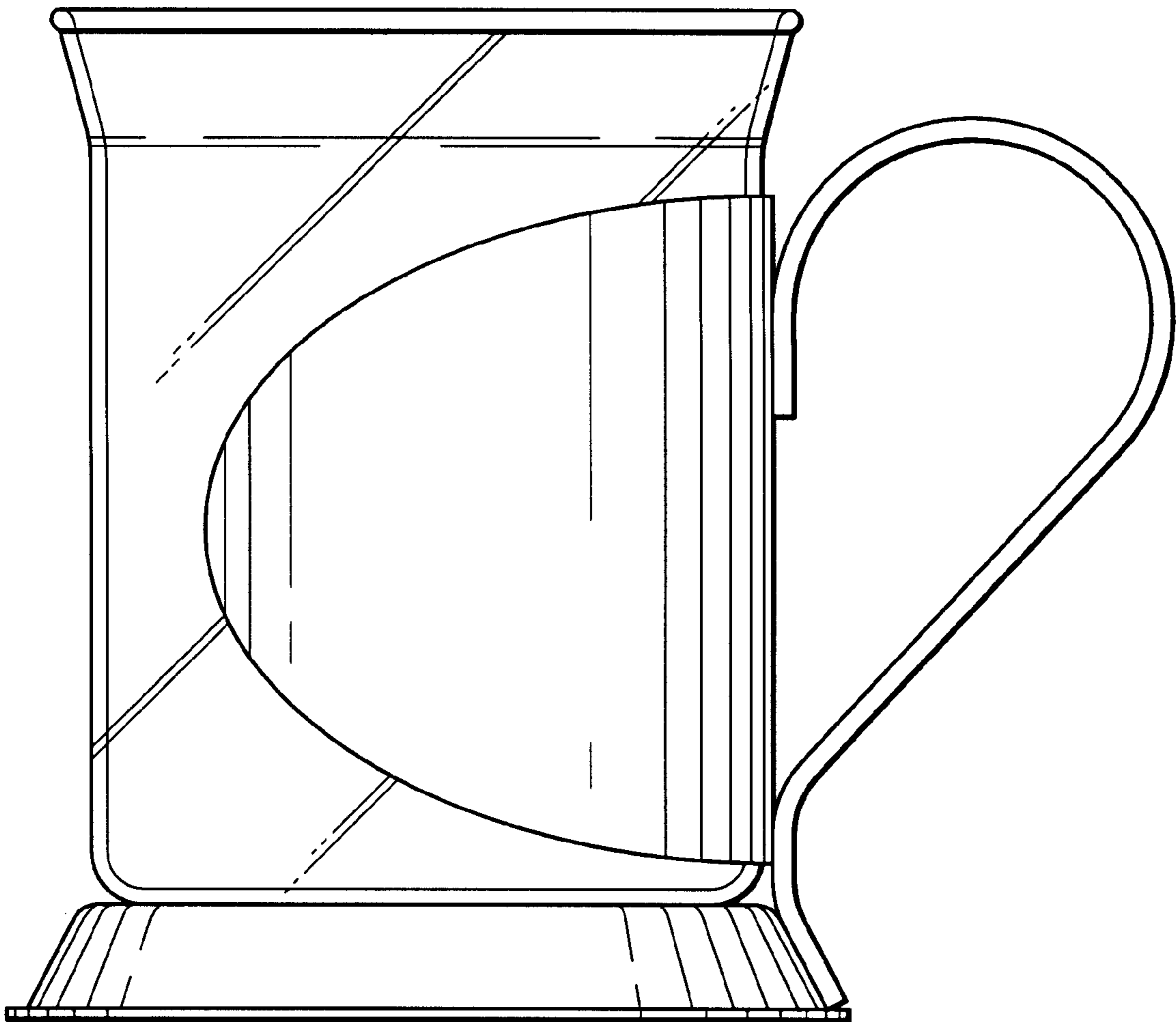
FIG. 4 is a right side elevational view thereof;

FIG. 5 is a left side elevational view thereof;

FIG. 6 is a top plan view thereof; and,

FIG. 7 is a bottom plan view thereof.

**1 Claim, 7 Drawing Sheets**



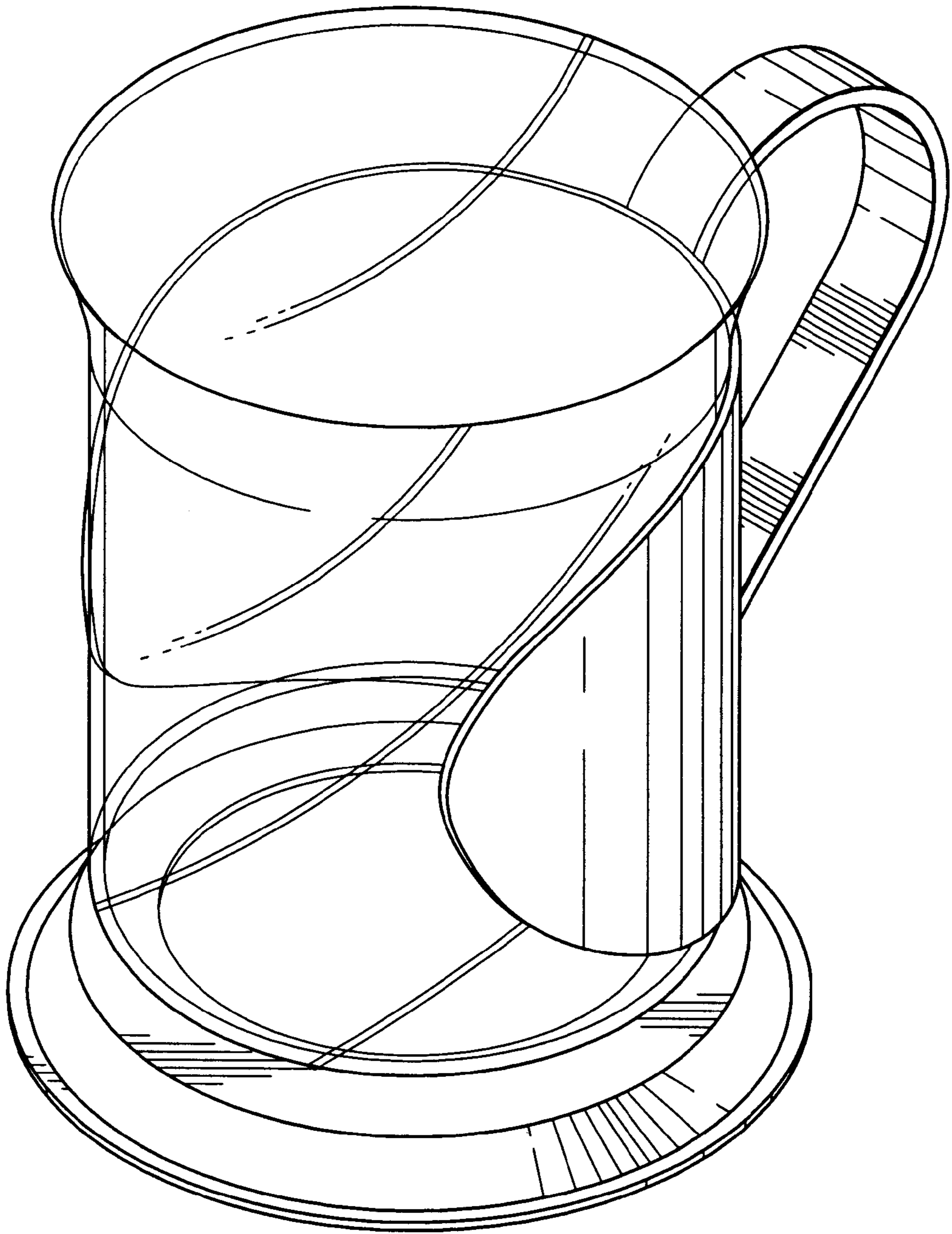


Fig. 1

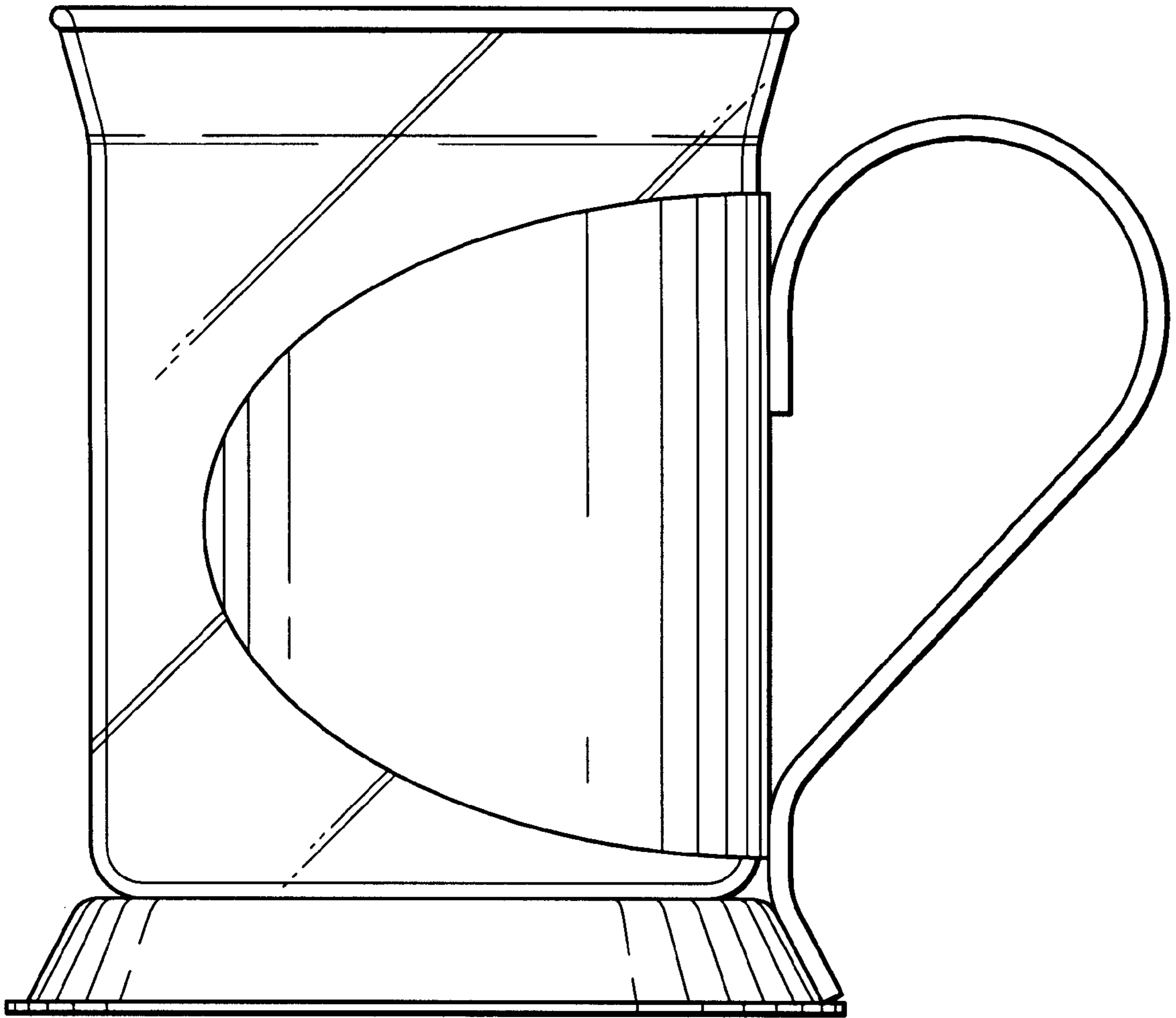


Fig. 2

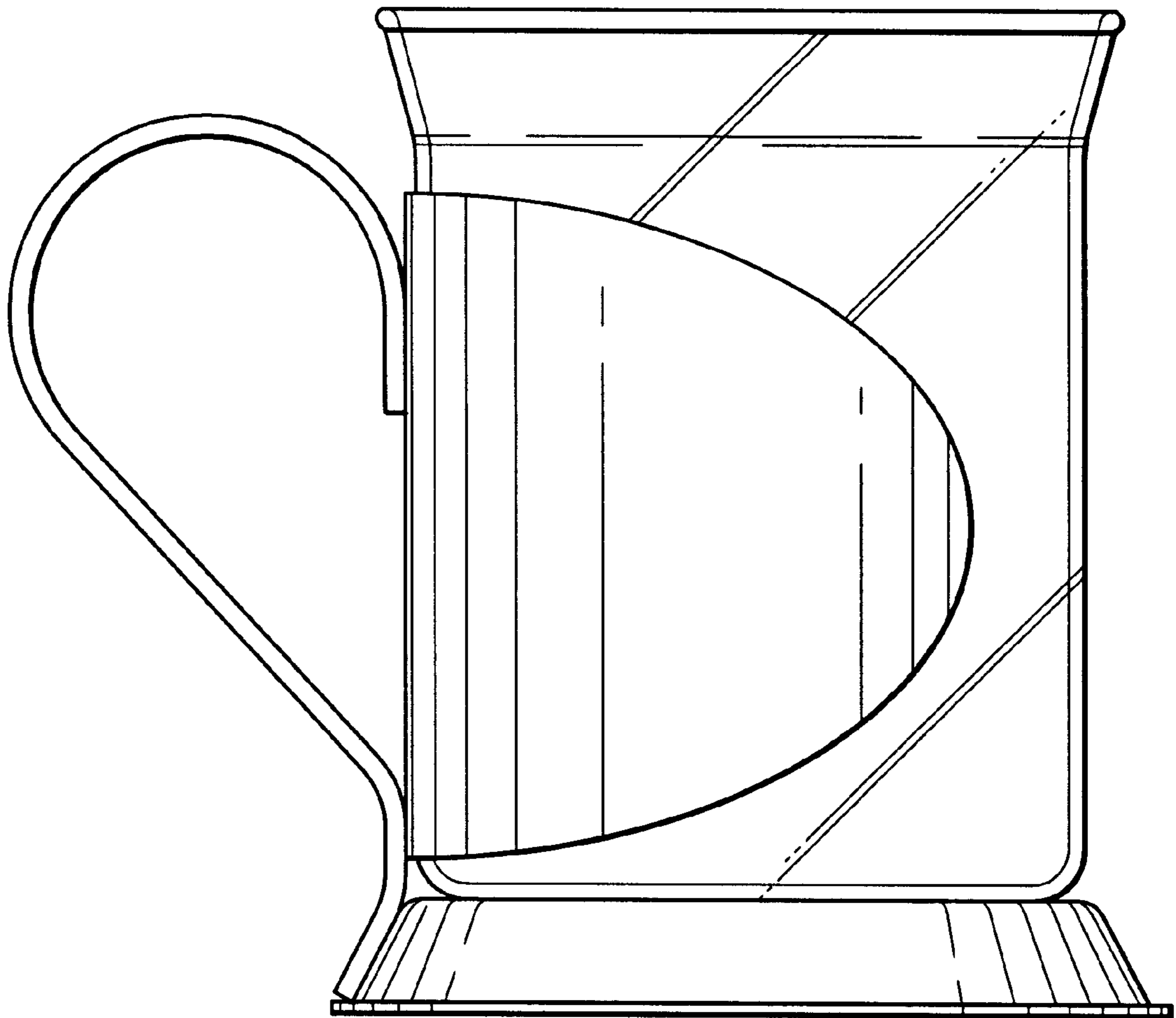


Fig. 3

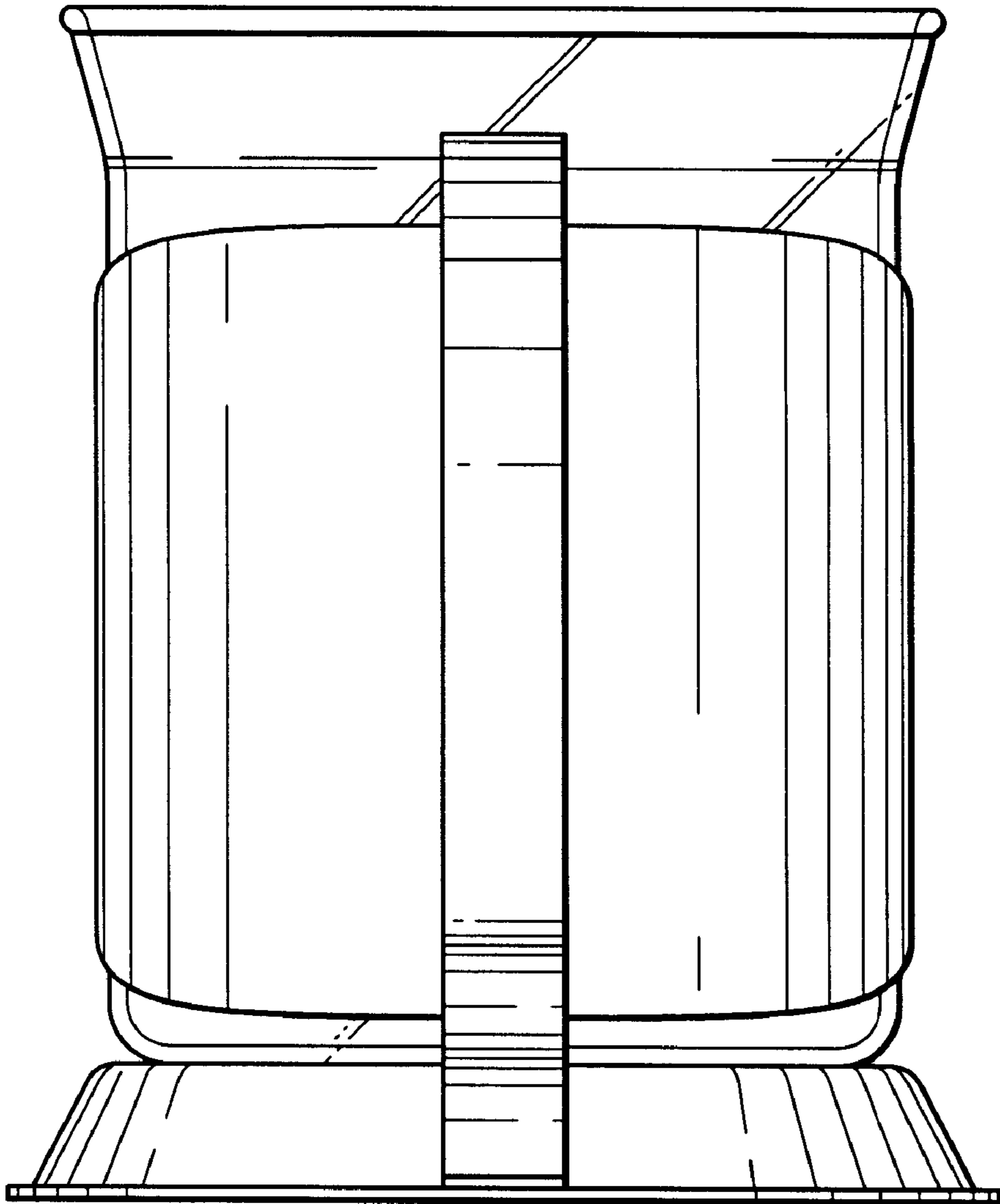


Fig. 4

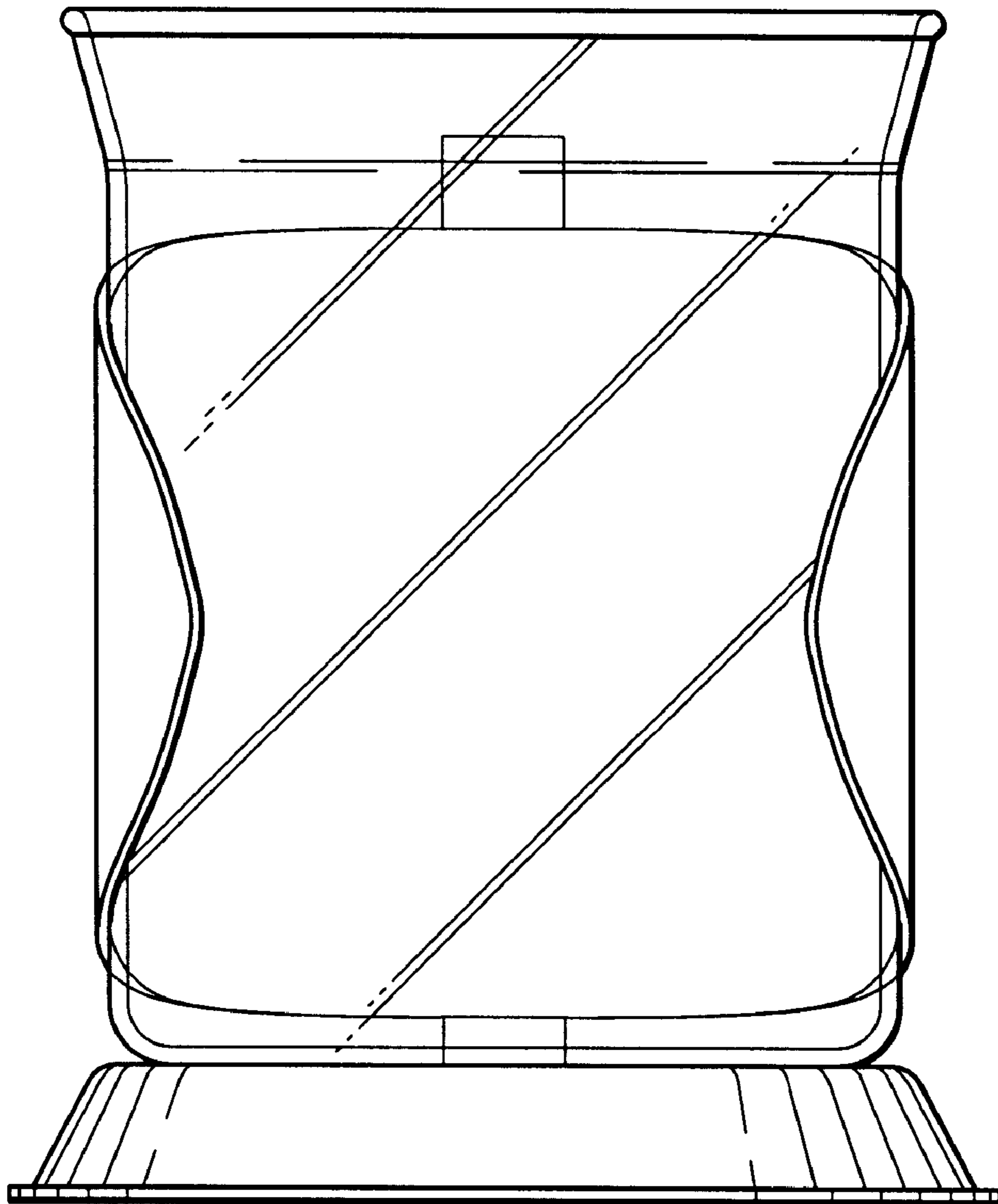


Fig. 5

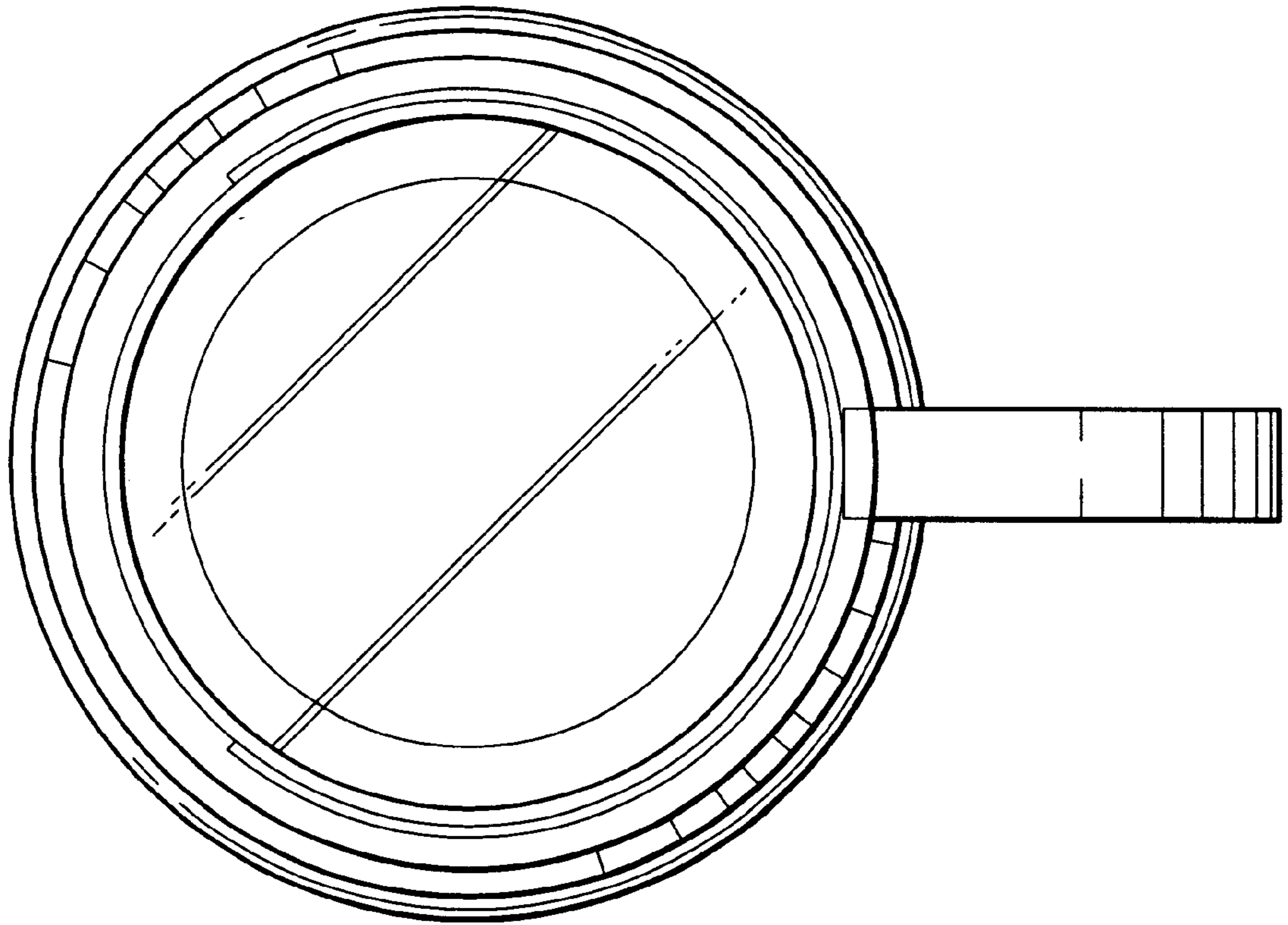


Fig. 6

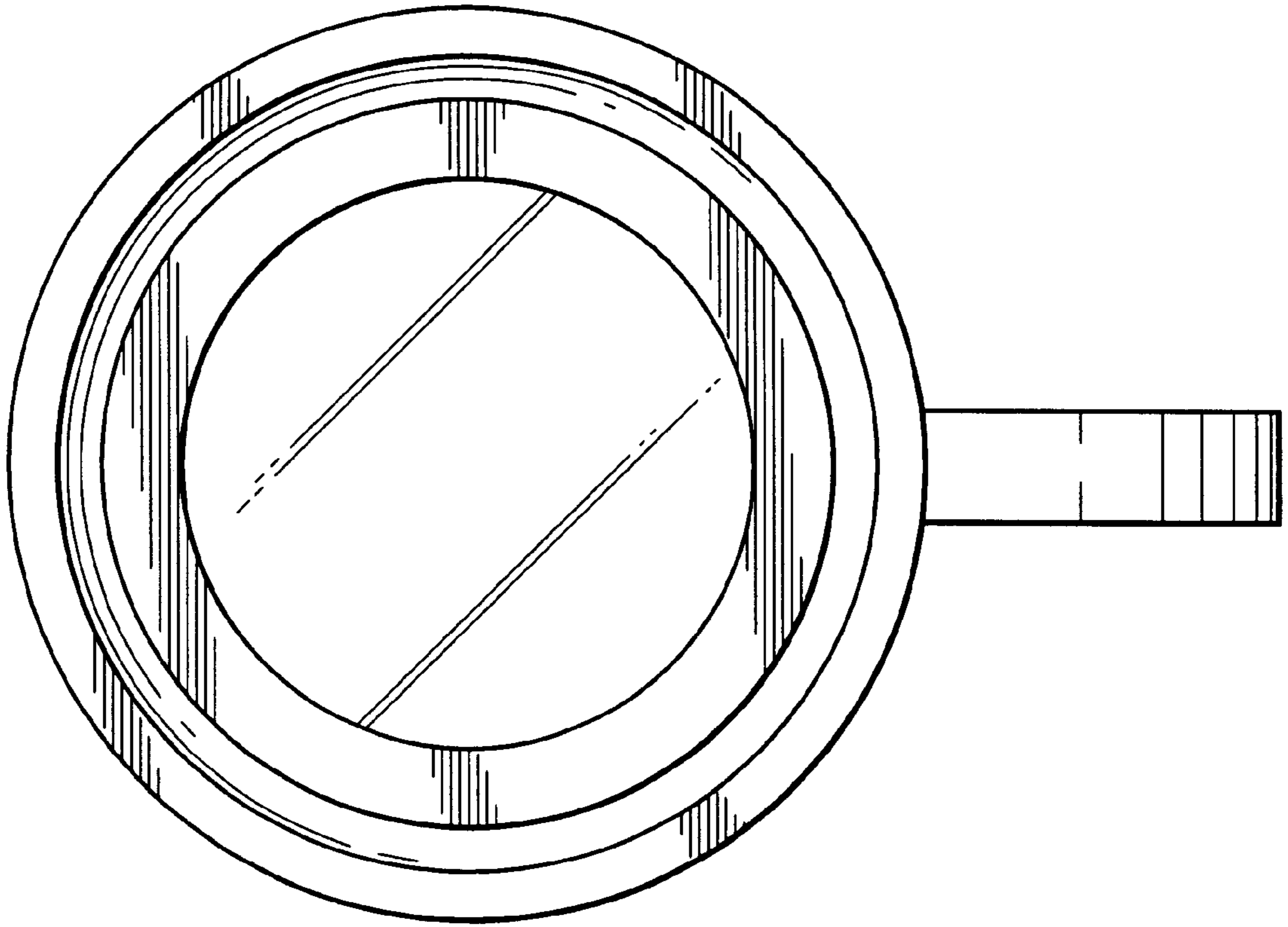


Fig. 7