



US00D448244B1

(12) **United States Design Patent**  
**Thomas**

(10) **Patent No.:** **US D448,244 S**

(45) **Date of Patent:** **\*\* Sep. 25, 2001**

(54) **TODDLER CUP**

4,428,498 1/1984 Obey .  
4,478,346 10/1984 Spong .  
4,946,062 8/1990 Coy .  
5,079,013 1/1992 Belanger .

(76) Inventor: **Linda Thomas**, 15 Surrey Dr., Old  
Bridge, NJ (US) 08857

(\*\*) Term: **14 Years**

\* cited by examiner

(21) Appl. No.: **29/136,581**

*Primary Examiner*—M. N. Pandozzi

(22) Filed: **Feb. 2, 2001**

(57) **CLAIM**

(51) **LOC (7) Cl.** ..... **07-01**

The ornamental design for a toddler cup, as shown and described.

(52) **U.S. Cl.** ..... **D7/510; D7/511**

(58) **Field of Search** ..... D7/523, 510, 511,  
D7/509, 397, 507; D24/197; 215/392, 256;  
220/631, 737, 713, 715, 703, 717

**DESCRIPTION**

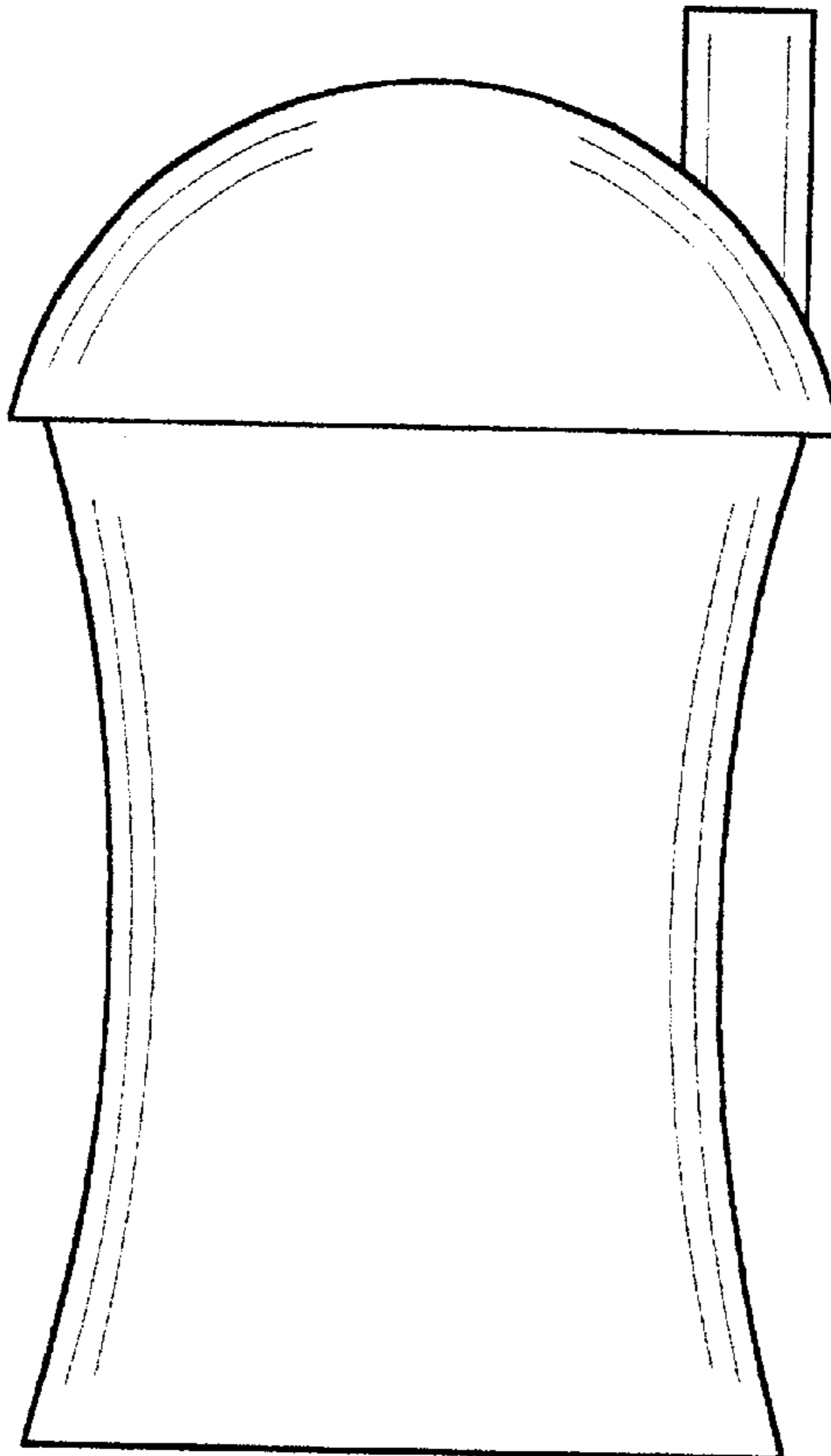
(56) **References Cited**

**U.S. PATENT DOCUMENTS**

D. 96,628	*	8/1935	Shapiro	.....	D7/397
D. 249,111	*	8/1978	Geyer	.....	D7/523
D. 346,718		5/1994	Timmermans	.	
D. 361,922	*	9/1995	Dyk	.....	D7/510
D. 383,037	*	9/1997	Asberg	.....	D7/511
D. 385,748	*	11/1997	Iodice et al.	.....	D7/510
D. 388,660	*	1/1998	Grundl	.....	D7/507
D. 398,813		9/1998	Franzese	.	
D. 408,221	*	4/1999	Asberg	.....	D7/511

FIG. 1 is a right side elevational view of the toddler cup of the present invention;  
FIG. 2 is a left side elevational view of the toddler cup of FIG. 1;  
FIG. 3 is a front elevational view of the toddler cup of FIG. 1, the rear view being a mirror image thereof;  
FIG. 4 is a top plan view of the toddler cup of FIG. 1;  
FIG. 5 is a bottom plan view of the toddler cup of FIG. 1; and,  
FIG. 6 is a top, front, left side perspective view of the toddler cup of FIG. 1.

**1 Claim, 4 Drawing Sheets**



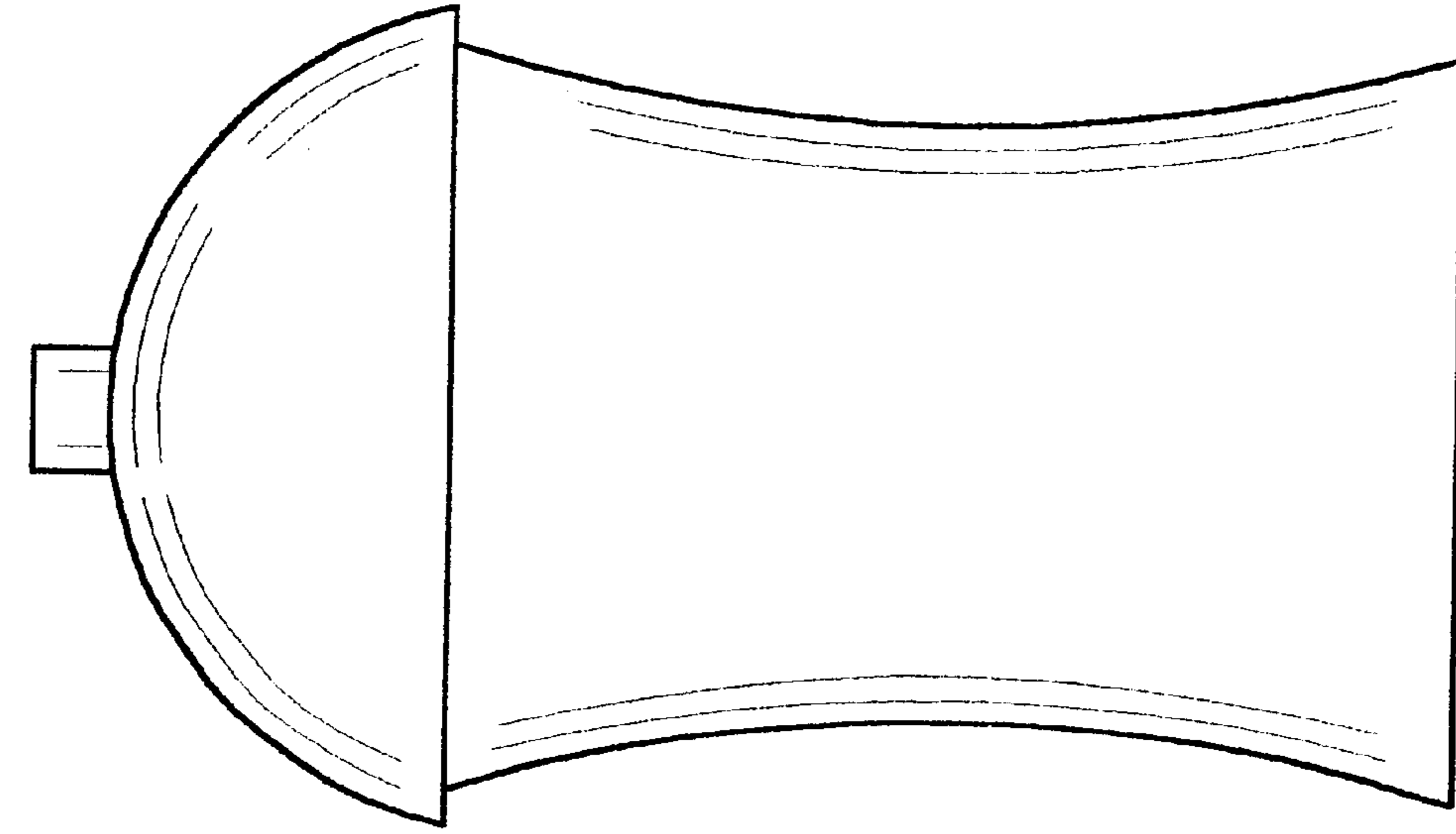


FIG. 1

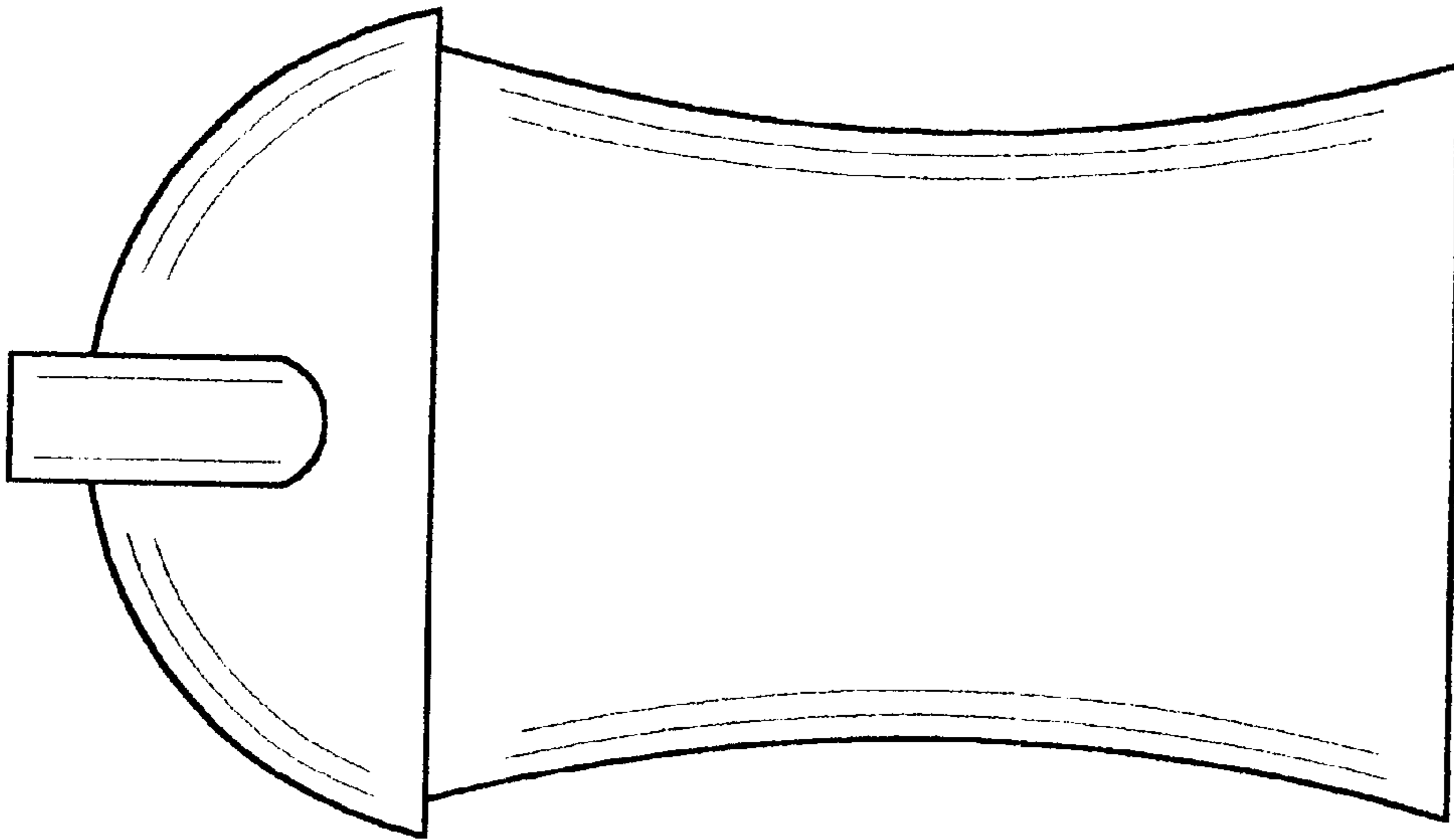


FIG. 2

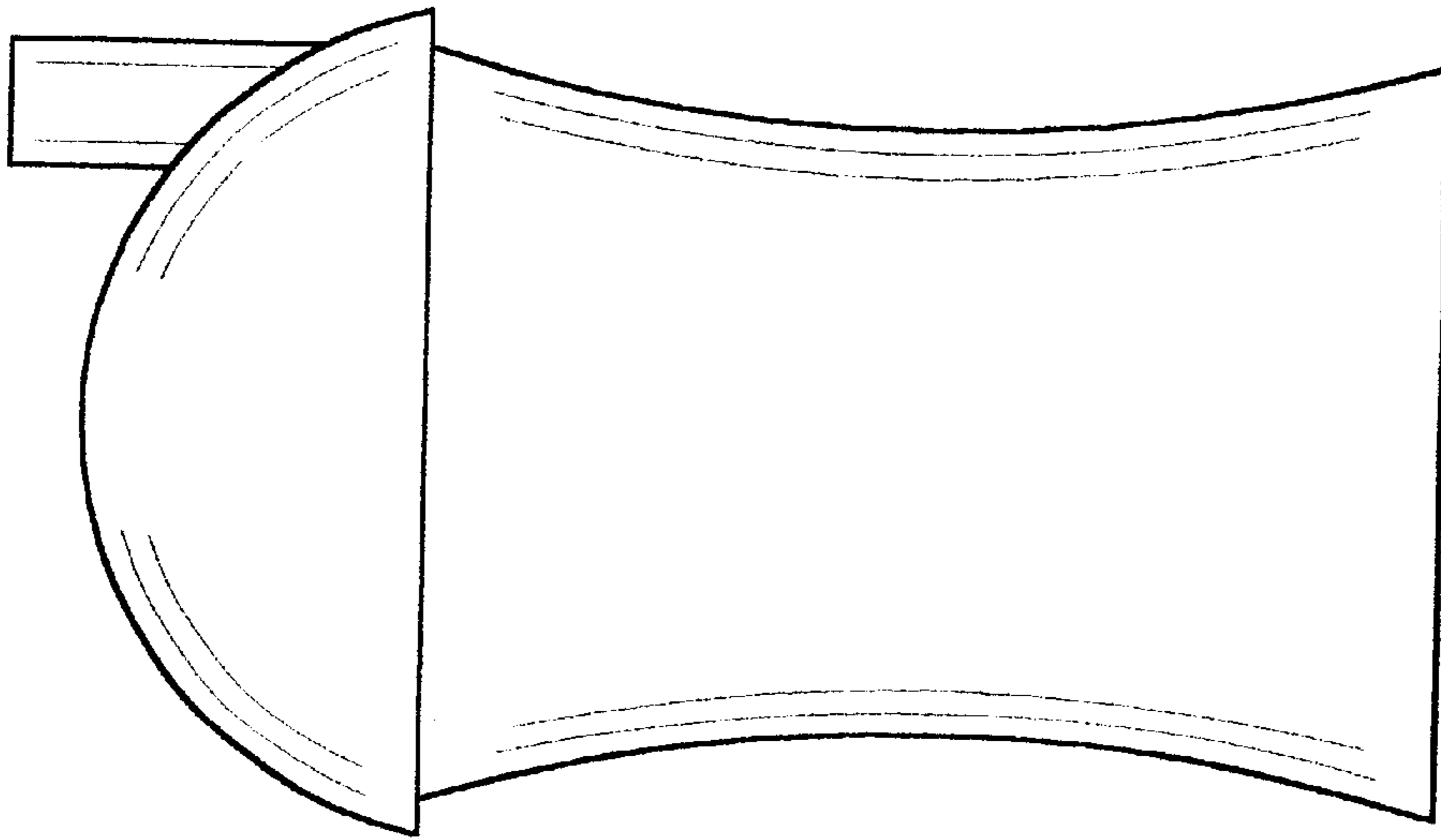


FIG. 3

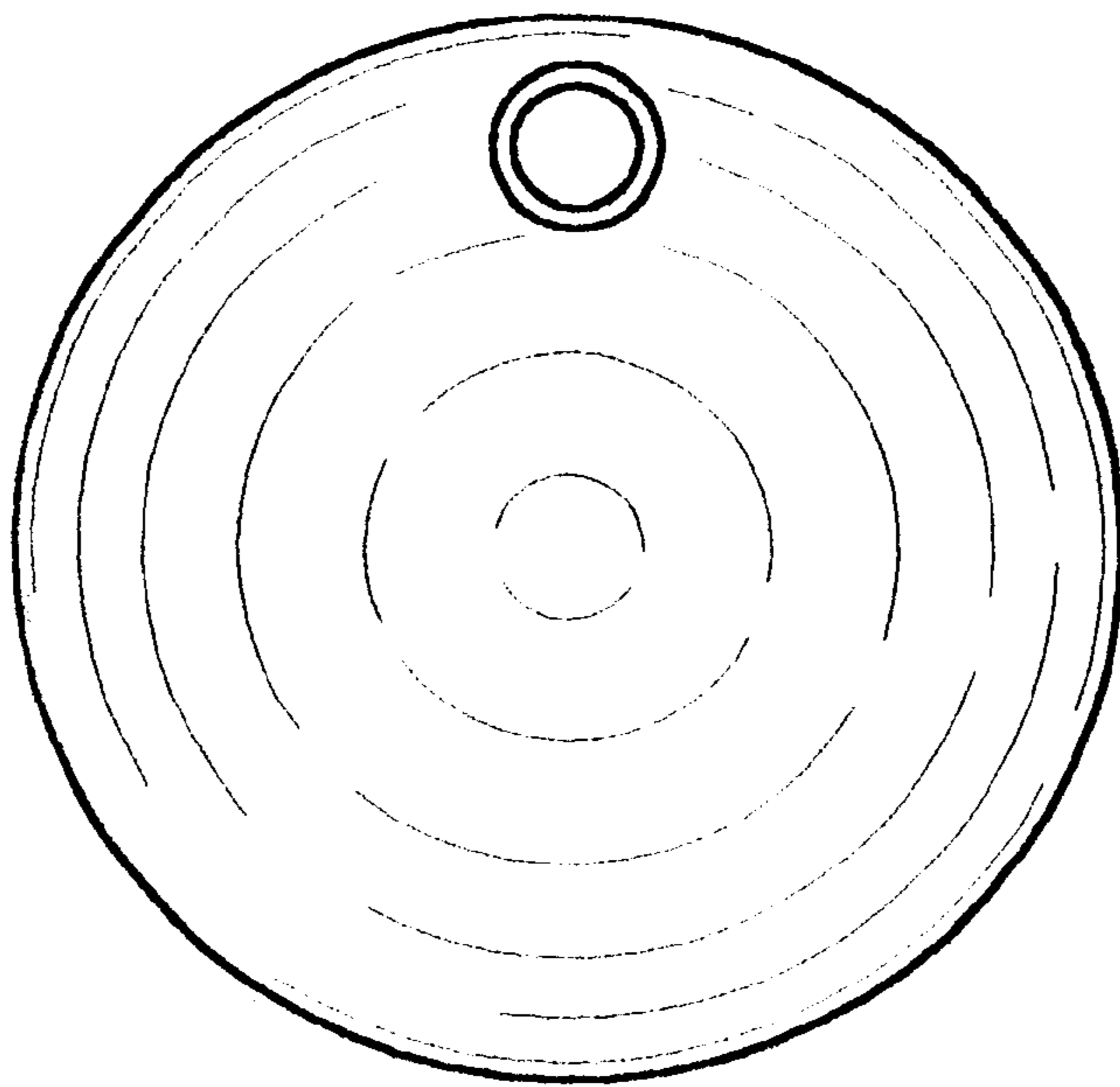


FIG. 4

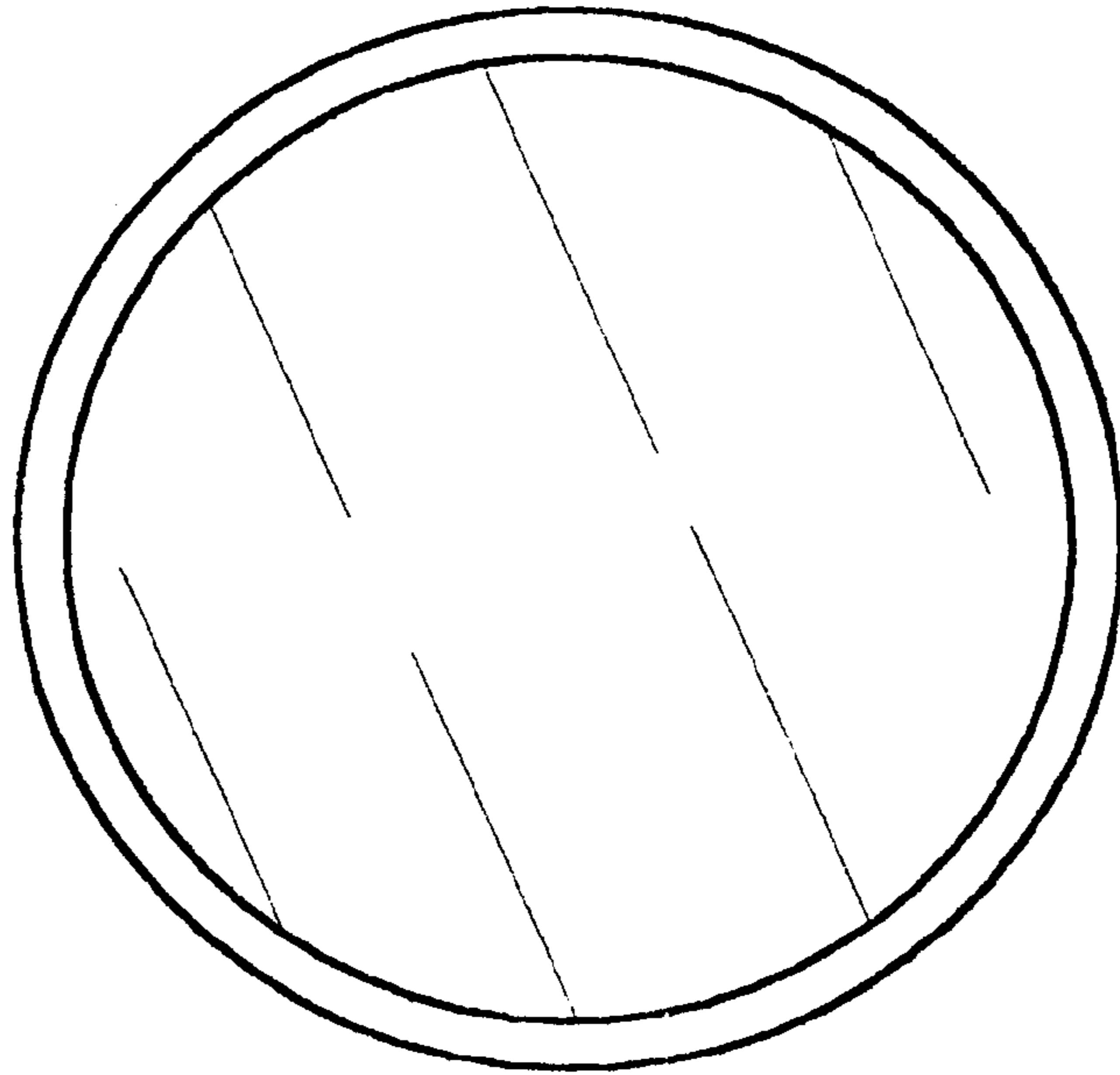


FIG. 5

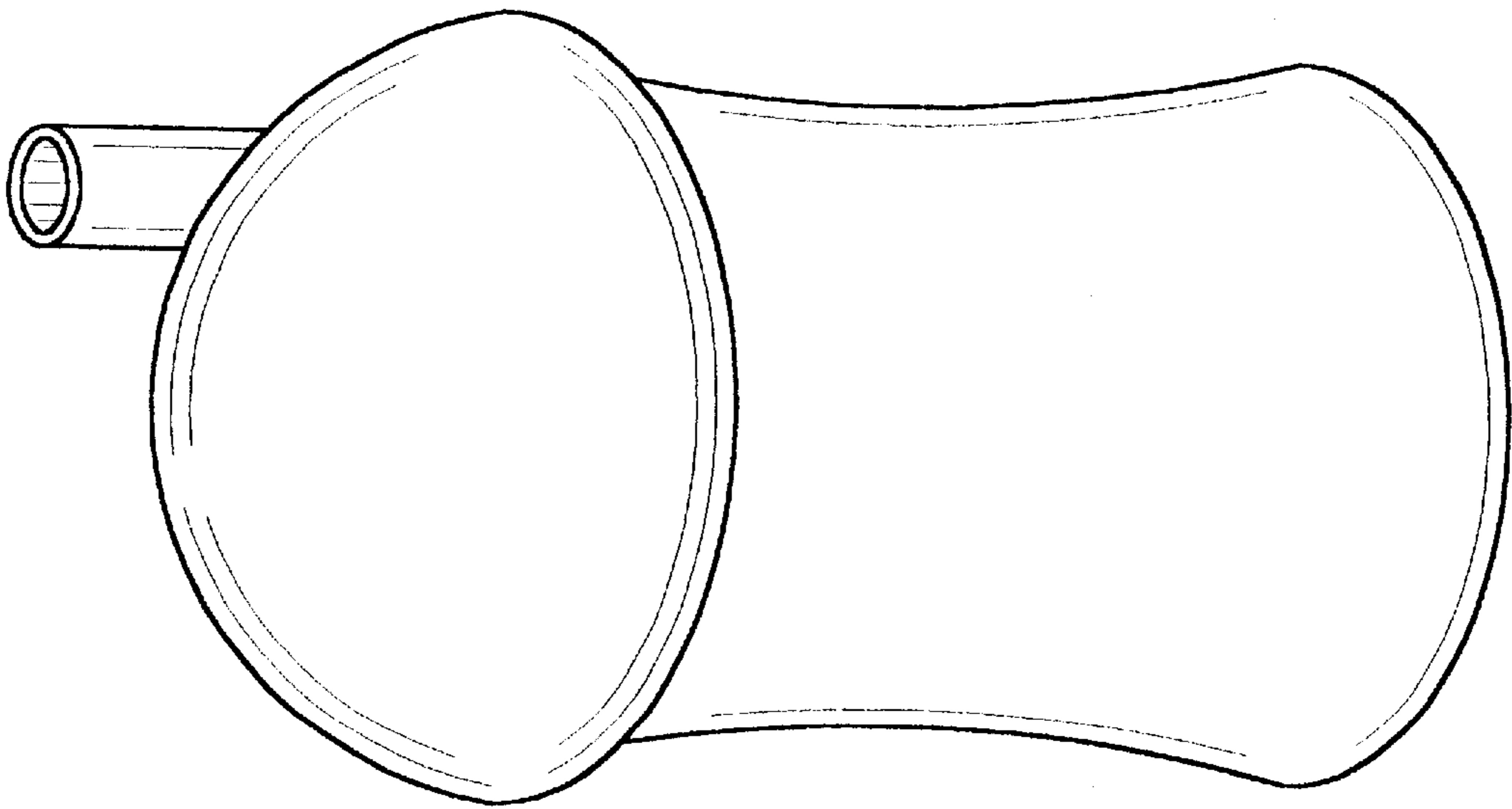


FIG. 6