



US00D448239B1

(12) **United States Design Patent**
Ide et al.

(10) **Patent No.:** **US D448,239 S**
(45) **Date of Patent:** **** Sep. 25, 2001**

(54) **KETTLE'S BODY**
(75) Inventors: **Takatoshi Ide**, Tokyo (JP); **Mario Bellini; Claudio Bellini**, both of Milan (IT)

MA2000
01135 12/2000 (DK) .
MA2000
01149 12/2000 (DK) .
2096854 1/2001 (GB) .
2096856 1/2001 (GB) .

(73) Assignee: **Cherry Terrace Inc.**, Tokyo (JP)
(**) Term: **14 Years**

OTHER PUBLICATIONS

Denmark Publication for Opposition of Denmark Design Application No. MA 2000 01148.
Denmark Publication for Opposition of Denmark Design Application No. MA 2000 01149.
German Publication for Design Registration No. 4 00 10 092.4.
First Office Action issued by the Indian Patent Office against Indian Design Application No. 183727 and 183728.
Reply to First Office Action.

(21) Appl. No.: **29/131,558**
(22) Filed: **Oct. 25, 2000**

(30) **Foreign Application Priority Data**

Apr. 28, 2000 (JP) 12-011588

(51) **LOC (7) Cl.** **07-99**
(52) **U.S. Cl.** **D7/394.1; D7/397; D7/321**
(58) **Field of Search** **D7/396.1, 397, D7/401, 312, 317, 318, 319, 321, 322; 222/472; 220/504; 215/398, 12.1, 314; 99/285**

* cited by examiner

Primary Examiner—M. N. Pandozzi
(74) *Attorney, Agent, or Firm*—Smith, Gambrell & Russell, LLP

(56) **References Cited**

(57) **CLAIM**

U.S. PATENT DOCUMENTS

The ornamental design for a kettle's body, as shown and described.

- D. 175,856 * 10/1955 Rowan D7/319
- D. 288,890 * 3/1987 Lebowitz D7/322
- D. 333,753 * 3/1993 Ancona et al. D7/321
- D. 336,006 * 6/1993 Lebowitz D7/322
- D. 352,419 * 11/1994 Lin D7/322
- D. 355,563 * 2/1995 Lebowitz D7/322
- D. 406,720 * 3/1999 Strum et al. D7/302
- D. 435,997 * 1/2001 Leo et al. D7/322
- D. 436,788 * 1/2001 Strum et al. D7/302
- 3,591,060 * 7/1971 Nakamura et al. 222/475
- 5,490,616 * 2/1996 Stowell et al. 222/472

DESCRIPTION

FIG. 1 is a perspective view of a kettle's body design showing our new design;
FIG. 2 is a left side elevation view thereof;
FIG. 3 is a front elevation view thereof;
FIG. 4 is a rear elevation view thereof;
FIG. 5 is a top view thereof;
FIG. 6 is a bottom view thereof; and,
FIG. 7 is a right side elevation view of our design.

FOREIGN PATENT DOCUMENTS

4 00 10 09204 10/2000 (DE) .

1 Claim, 2 Drawing Sheets

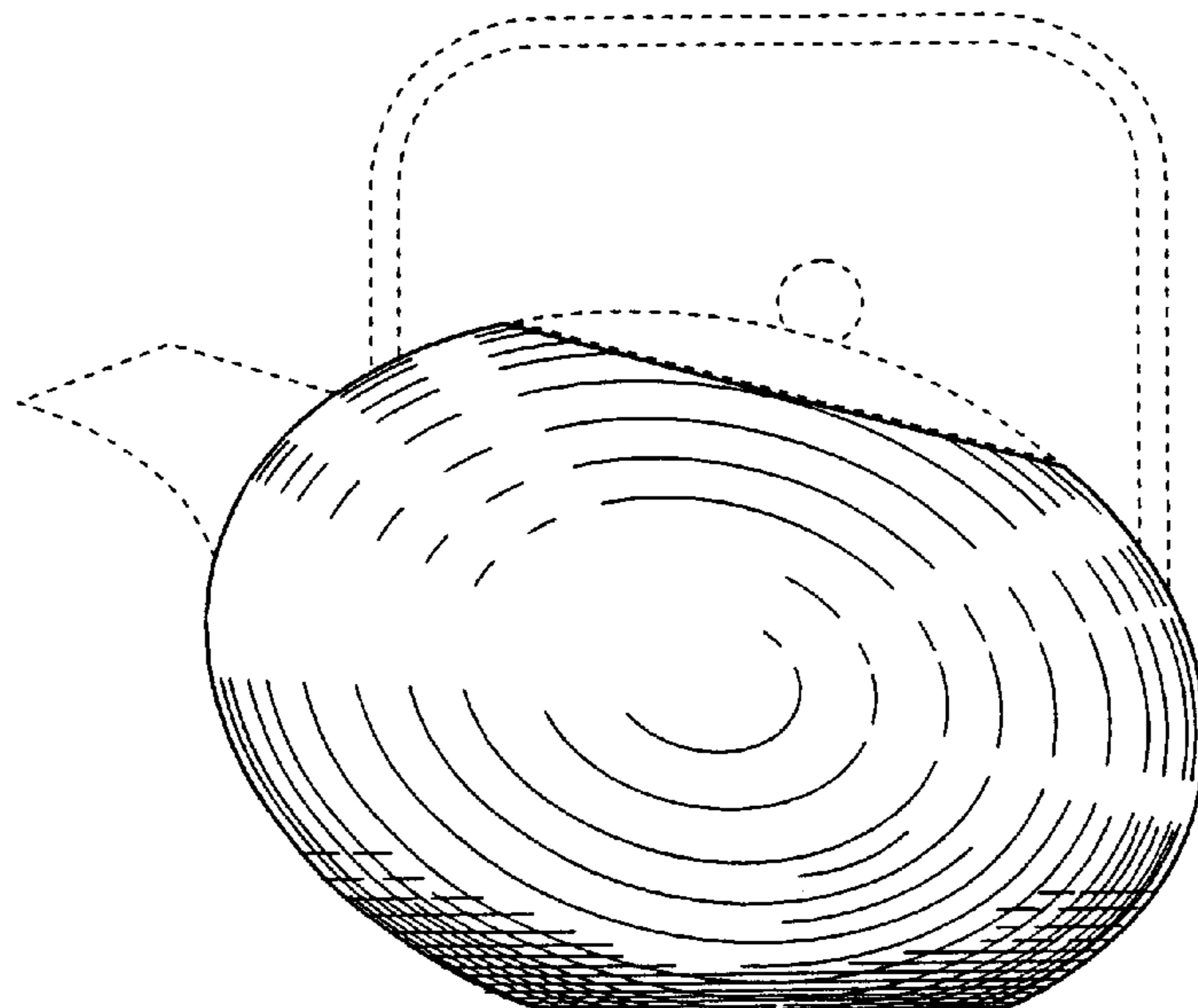


FIG.1

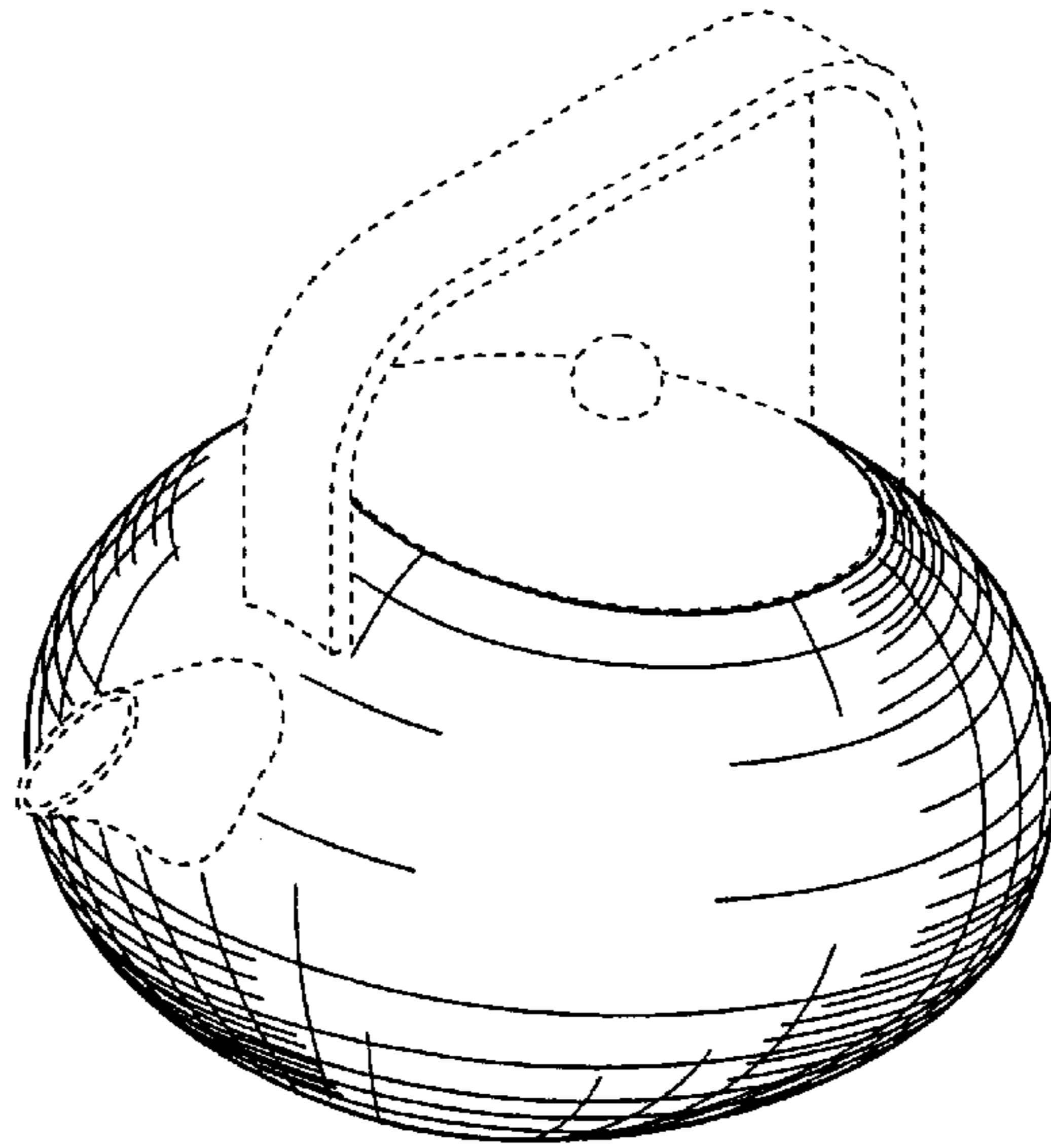


FIG.4

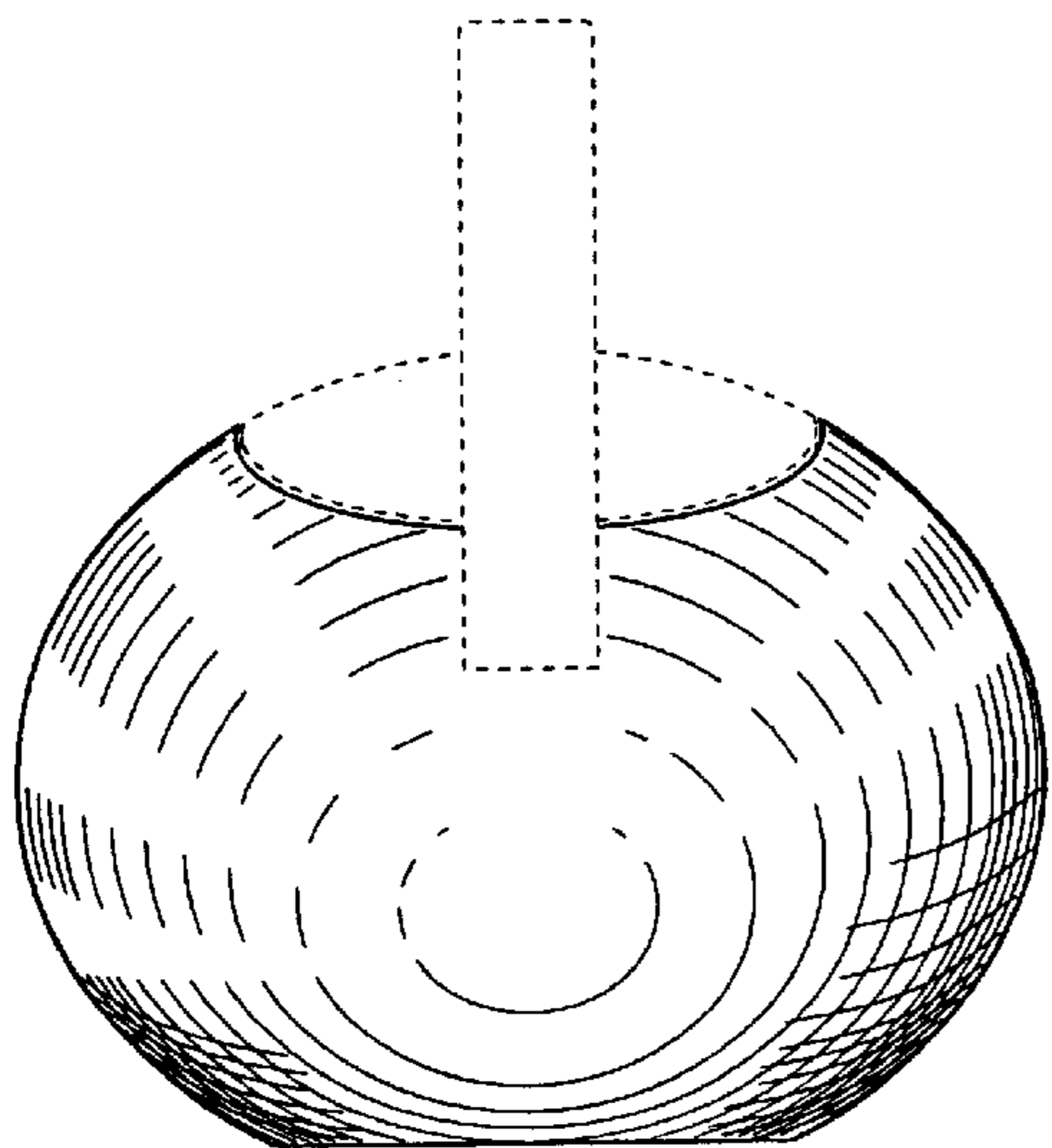


FIG.7

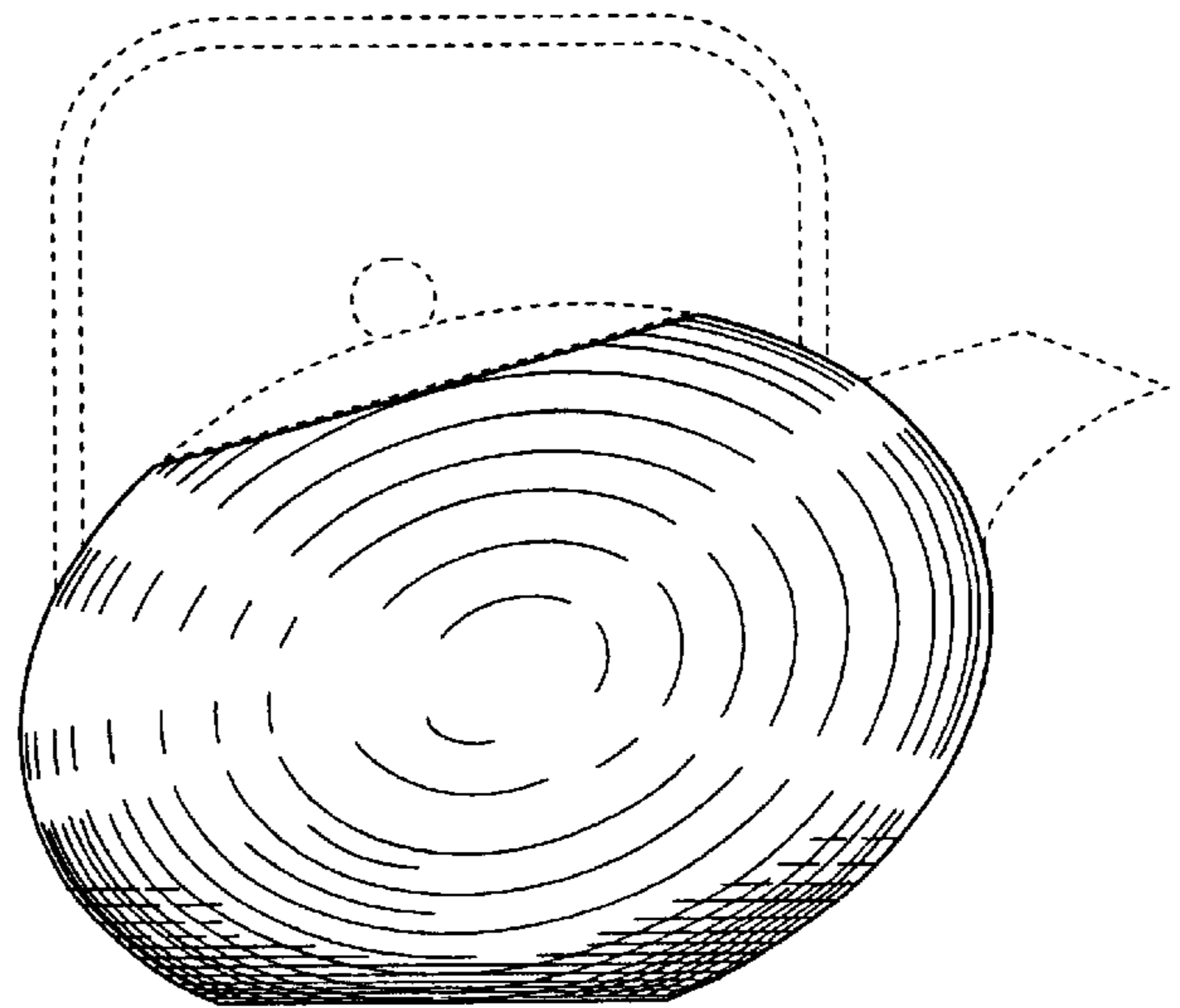


FIG.5

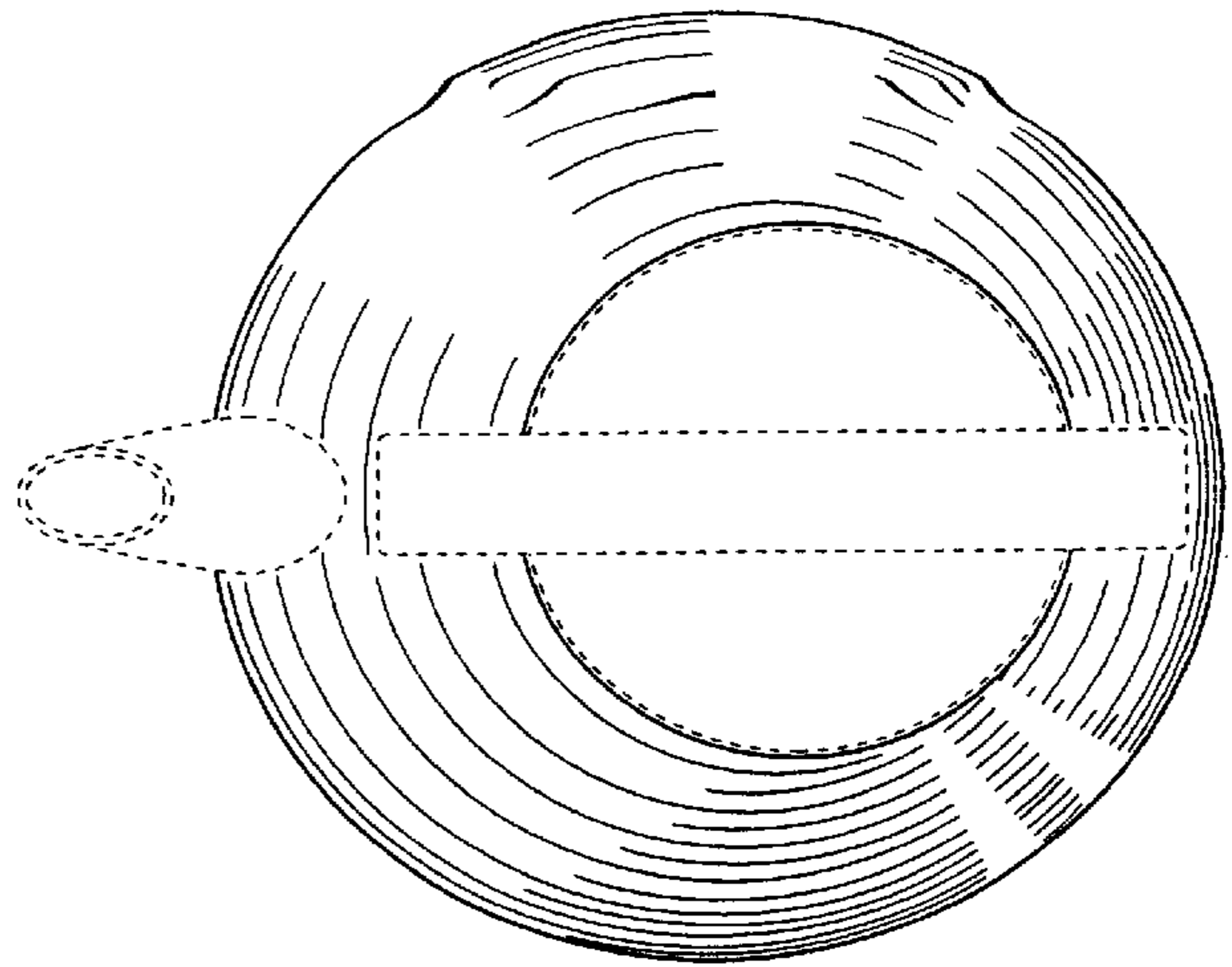


FIG.3

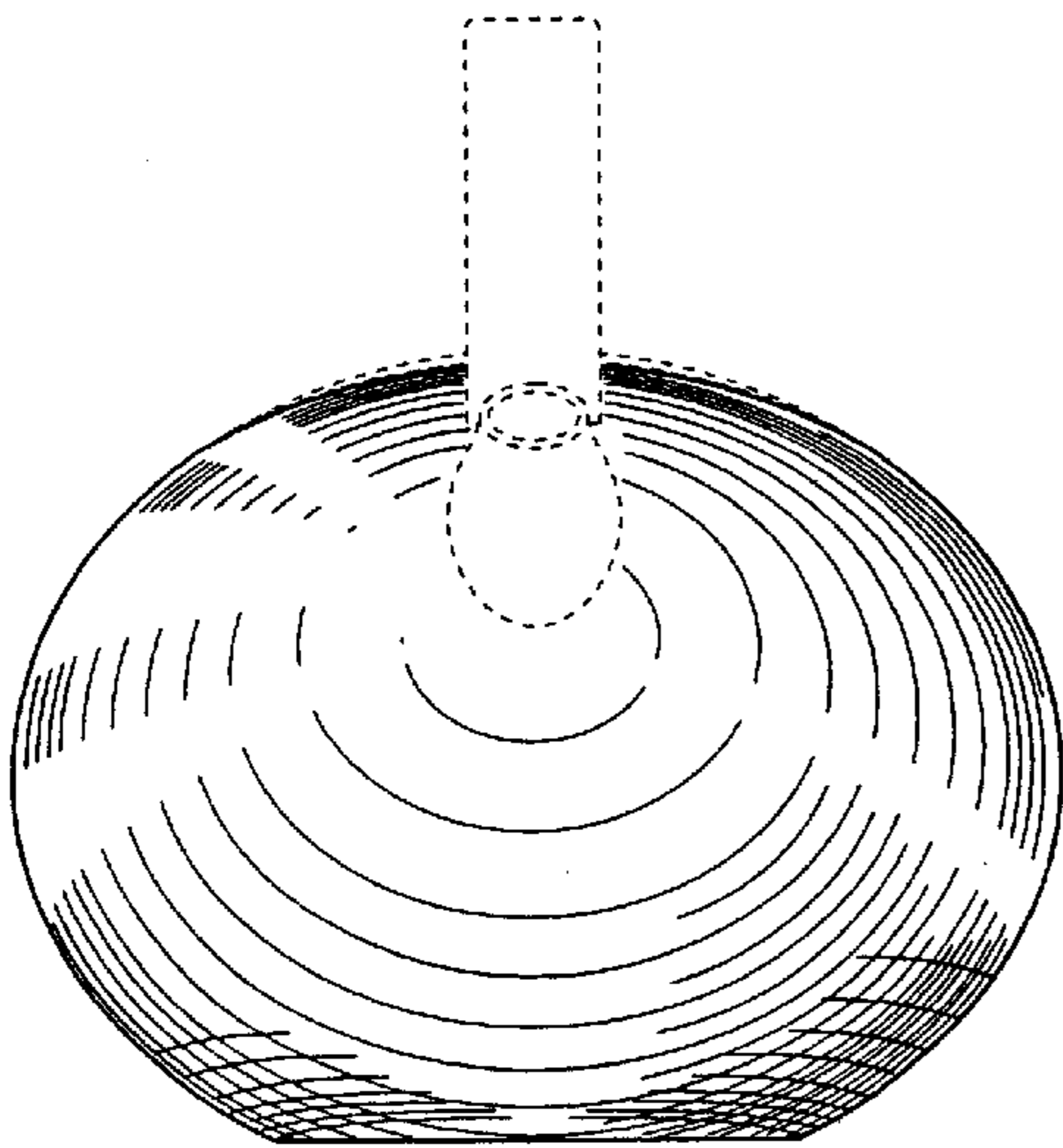


FIG.2

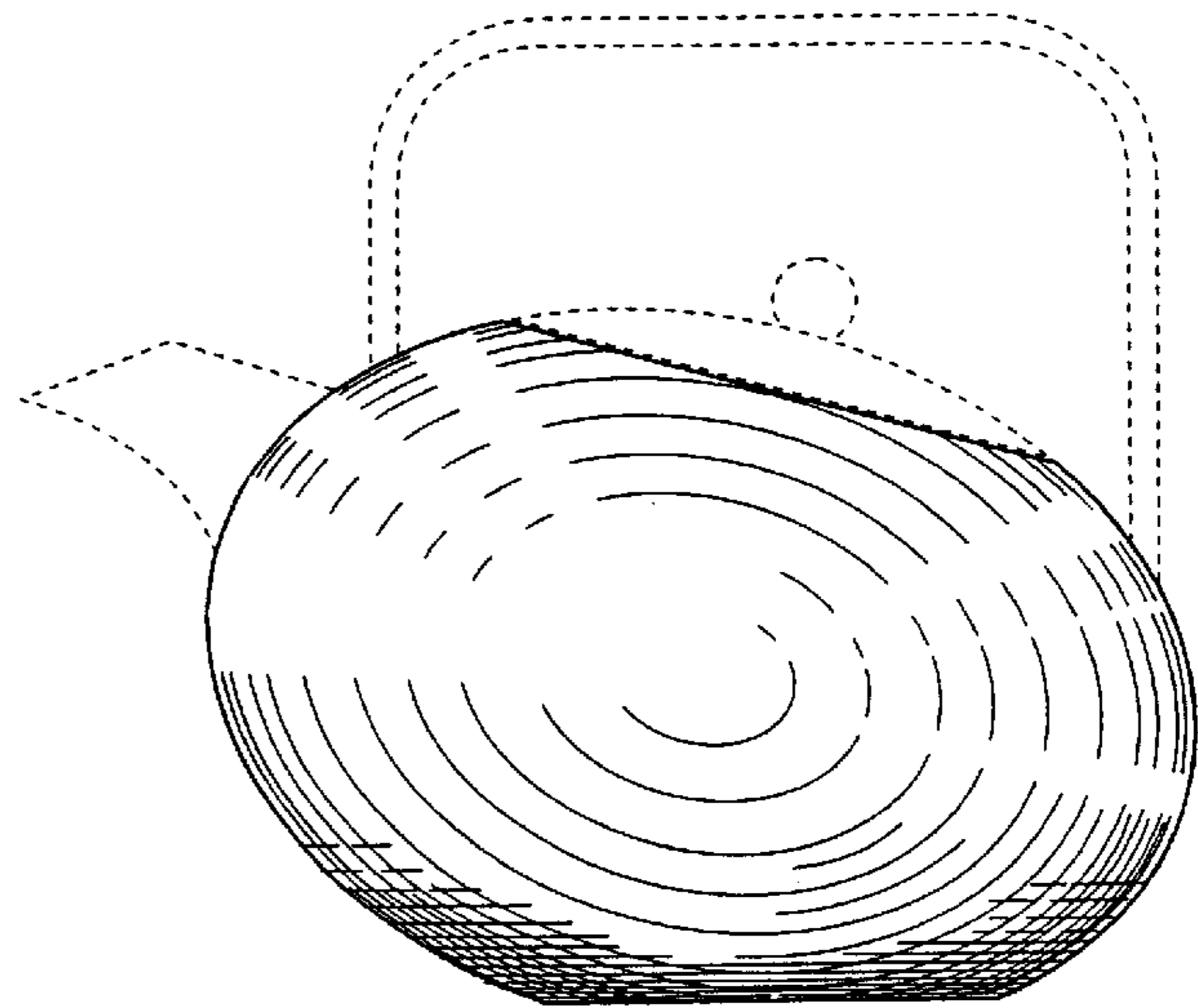


FIG.6

