



US00D448235B1

(12) **United States Design Patent**  
**Jørgensen**

(10) **Patent No.:** **US D448,235 S**

(45) **Date of Patent:** **\*\* Sep. 25, 2001**

(54) **ELECTRIC WATER KETTLE**

(75) **Inventor:** **Carsten Jørgensen, St. Niklausen (CH)**

(73) **Assignee:** **PI-Design AG, Triengen (CH)**

(\*\*) **Term:** **14 Years**

(21) **Appl. No.:** **29/132,269**

(22) **Filed:** **Nov. 7, 2000**

(30) **Foreign Application Priority Data**

May 10, 2000 (DK) ..... MA 2000 00525

(51) **LOC (7) Cl.** ..... **07-01**

(52) **U.S. Cl.** ..... **D7/319; D7/317**

(58) **Field of Search** ..... D7/316, 317, 318,  
D7/319, 300, 305; 222/475.1, 465.1, 144.5,  
210; 99/295; 215/396

(56) **References Cited**

**U.S. PATENT DOCUMENTS**

- D. 178,521 \* 8/1956 Keefe, Jr. .... D7/317
- D. 219,164 \* 11/1970 Gropius ..... D7/317
- D. 229,657 \* 12/1973 Cyren ..... D7/317
- D. 263,783 \* 4/1982 Okazaki et al. .... D7/317
- D. 269,317 \* 6/1983 Pozzi ..... D7/317
- D. 270,602 \* 9/1983 Fritz ..... D7/319
- D. 302,926 \* 8/1989 Beeren ..... D7/317
- D. 321,301 \* 11/1991 Purkapile ..... D7/376
- D. 323,093 \* 1/1992 Picozza et al. .... D7/319

- D. 338,367 \* 8/1993 Fonville ..... D7/317
- D. 338,591 \* 8/1993 Wyatt et al. .... D7/318
- D. 367,580 \* 3/1996 Joergensen ..... D7/318
- D. 368,404 \* 4/1996 Zive ..... D7/318
- D. 379,732 \* 6/1997 Jeppesen et al. .... D7/319
- D. 392,149 \* 3/1998 Smith ..... D7/307
- D. 395,784 \* 7/1998 Michaeli ..... D7/319
- D. 398,474 \* 9/1998 Wagner ..... D7/305
- D. 403,200 \* 12/1998 Joergensen ..... D7/317
- 2,610,490 \* 9/1952 Tupper ..... 222/210

\* cited by examiner

*Primary Examiner*—M. N. Pandozzi

(74) *Attorney, Agent, or Firm*—Nath & Associates PLLC;  
Gary M. Nath; Marvin C. Berkowitz

(57) **CLAIM**

The ornamental design for a electric water kettle, as shown and described.

**DESCRIPTION**

FIG. 1 is an oblique perspective view of the electric water kettle;

FIG. 2 is a right side view of the electric water kettle, as shown in FIG. 1;

FIG. 3 is a left side view of the electric water kettle;

FIG. 4 is a front side view of the electric water kettle;

FIG. 5 is a back side view of the electric water kettle;

FIG. 6 is a top view of the electric water kettle; and,

FIG. 7 is a bottom view of the electric water kettle.

**1 Claim, 7 Drawing Sheets**

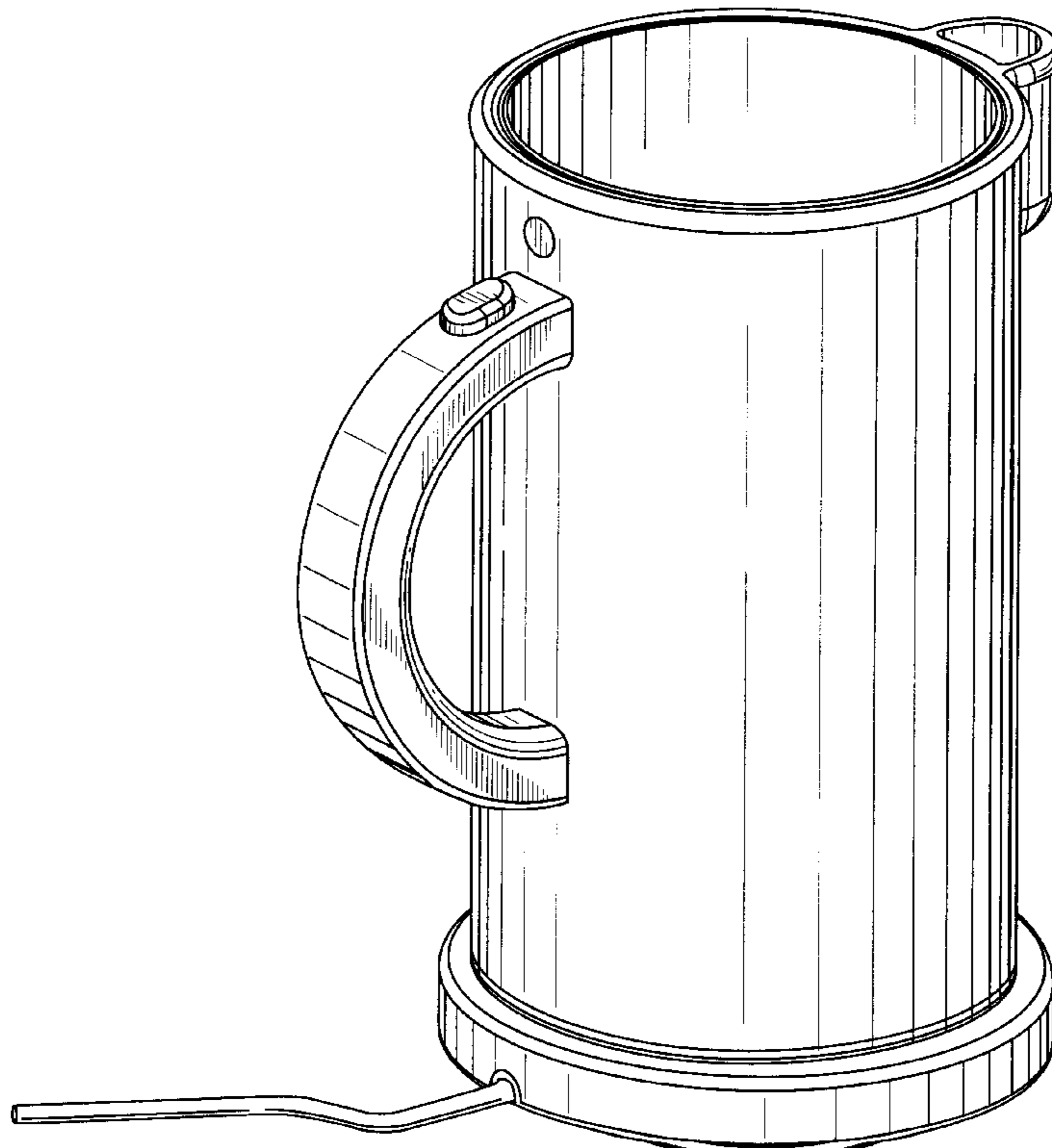
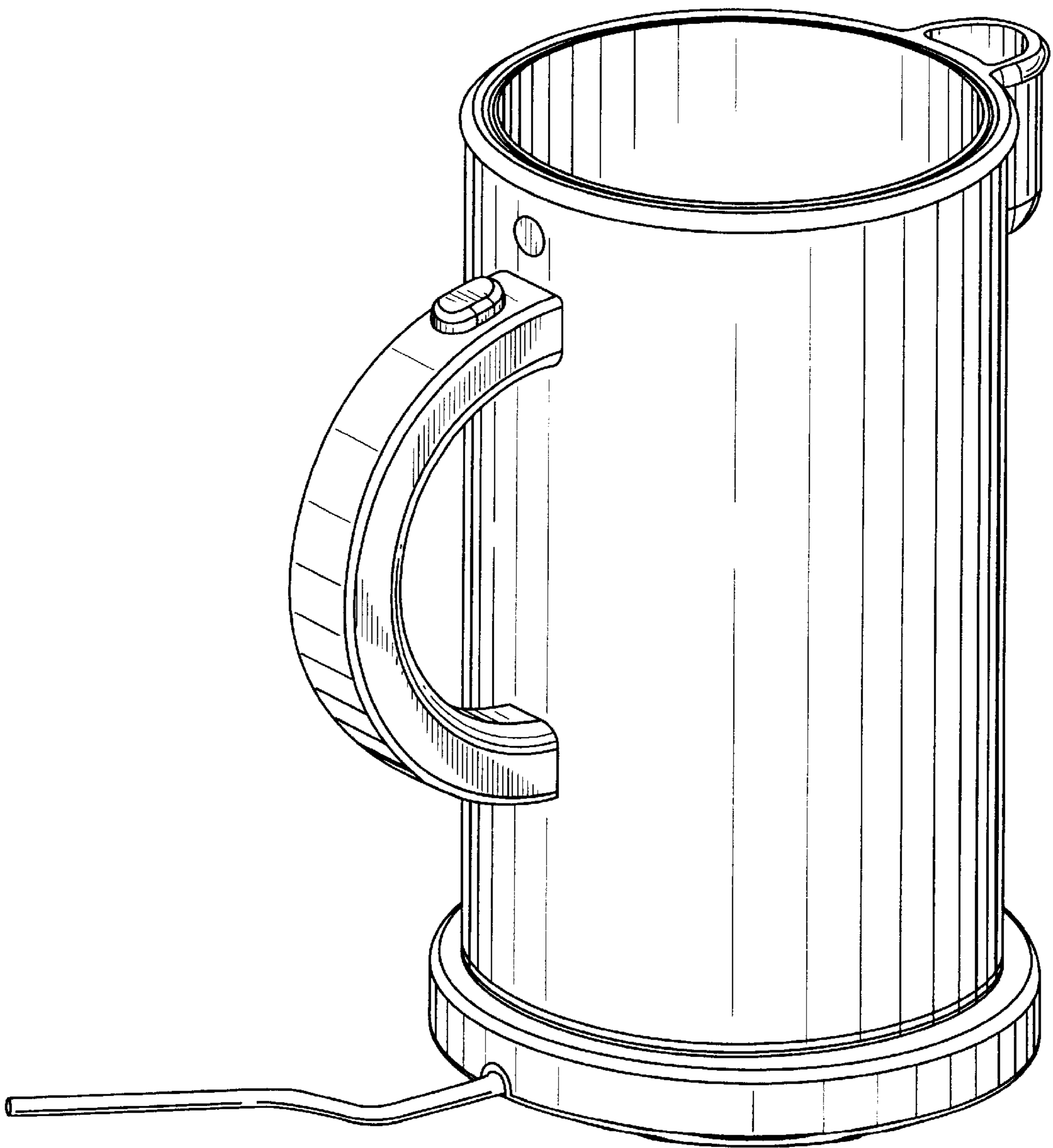
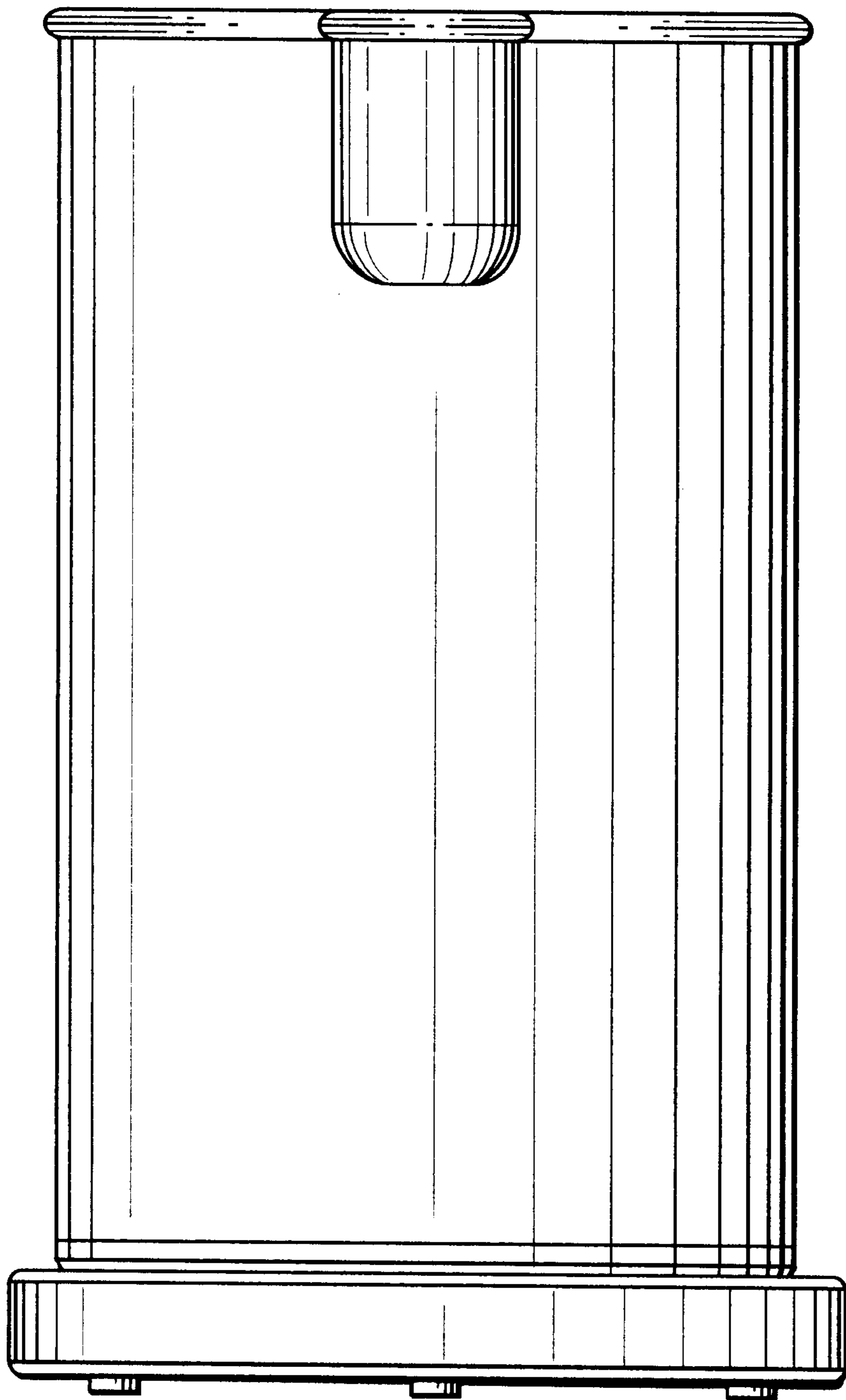


FIG. 1



**FIG. 2**



**FIG. 3**

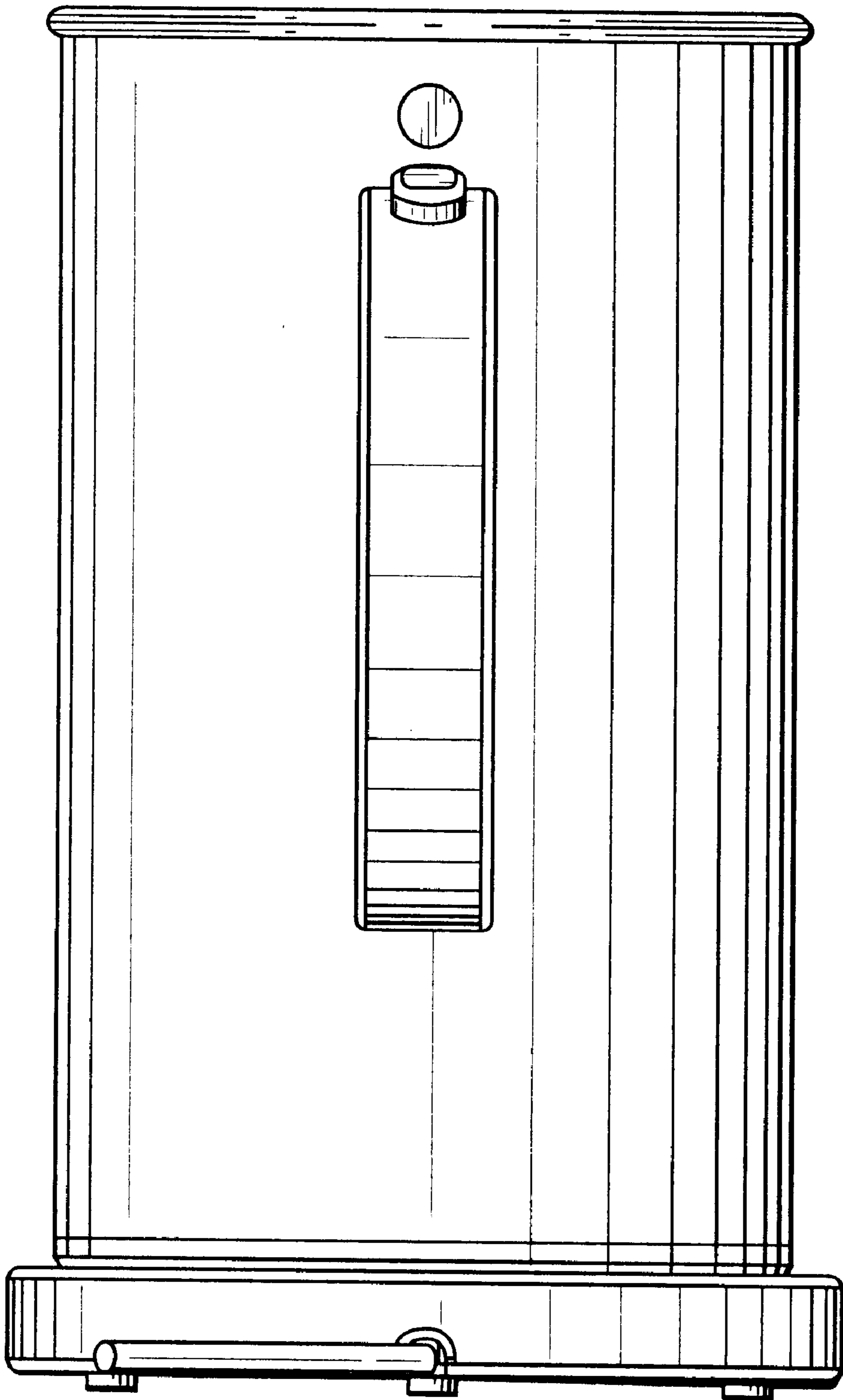
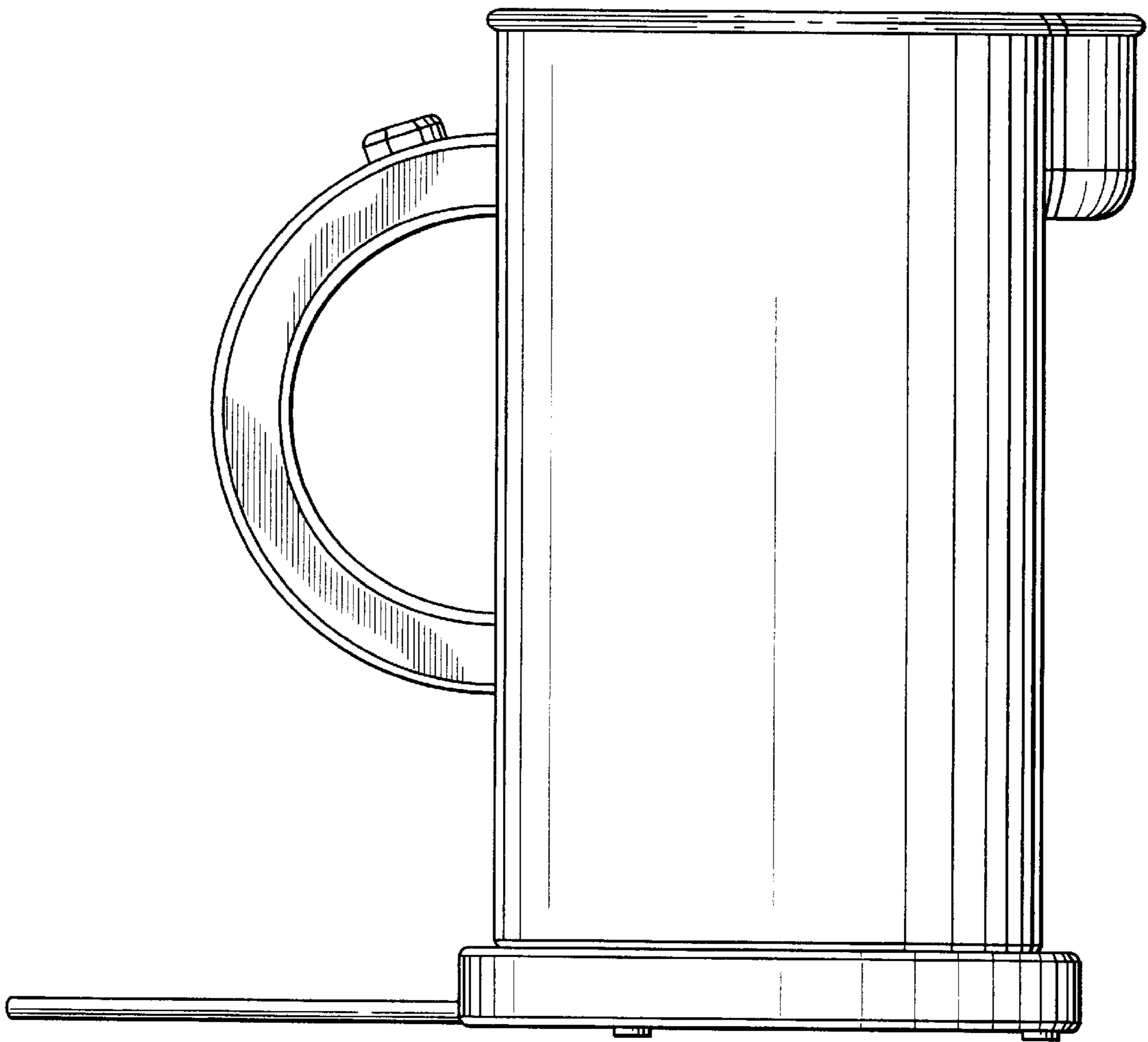


FIG. 4



**FIG. 5**

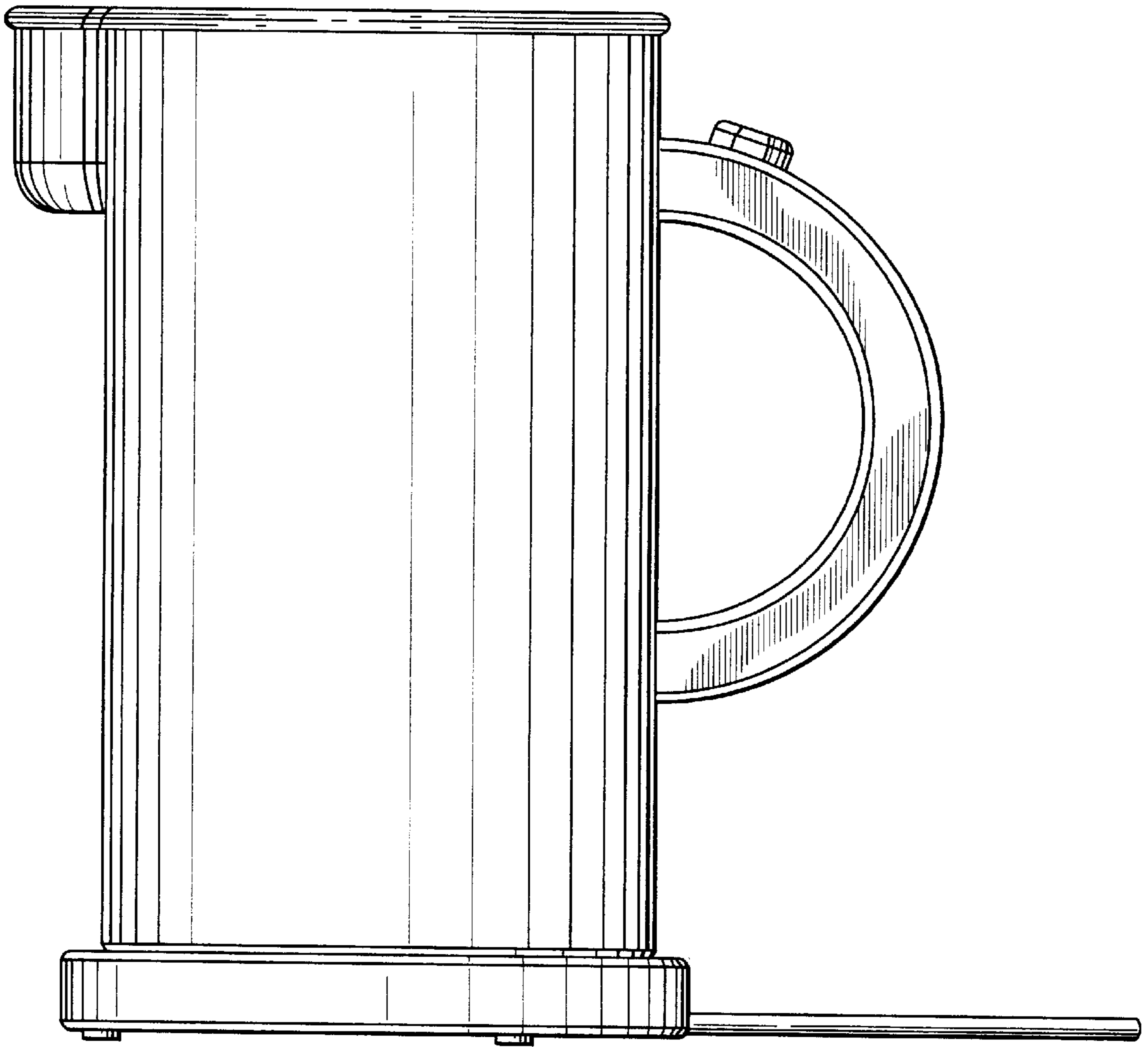


FIG. 6

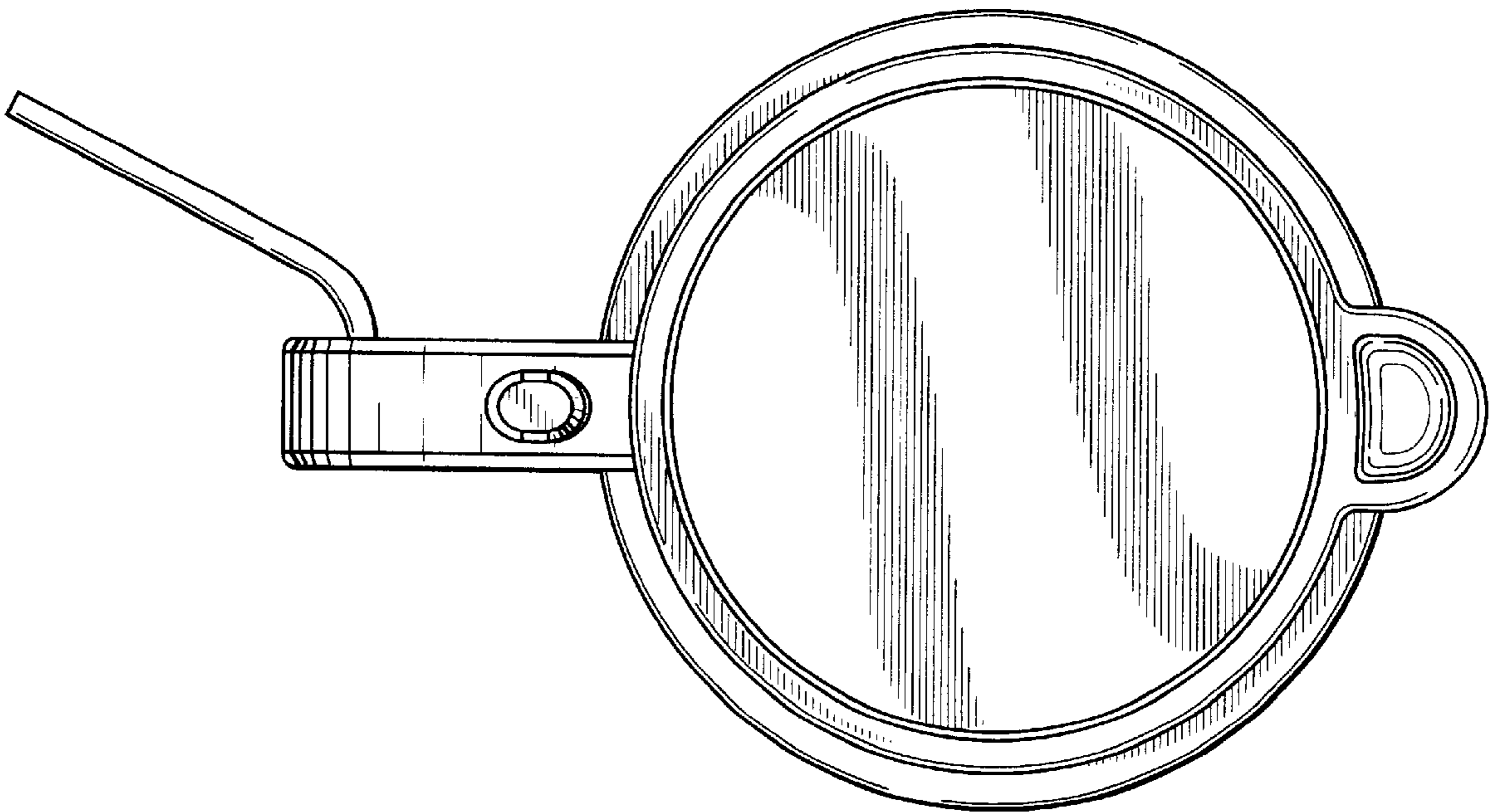


FIG. 7

