



US00D448233B1

(12) **United States Design Patent**  
**Mah**

(10) **Patent No.:** **US D448,233 S**

(45) **Date of Patent:** **\*\* Sep. 25, 2001**

(54) **COMPACT DISC DISPLAY TOWER**

D. 365,489 \* 12/1995 Barley ..... D6/630  
D. 408,656 \* 4/1999 Au ..... D6/468  
4,221,440 \* 9/1980 Morgan ..... 312/9.45

(76) Inventor: **Pat Y. Mah**, Unit C, 8/F., Leroy  
Plaza,15 Cheung Shun St., Cheung Sha  
Wan, Kowloon, Hong Kong (CN)

\* cited by examiner

(\*\*) Term: **14 Years**

*Primary Examiner*—Jeffrey Asch

(74) *Attorney, Agent, or Firm*—Curtis L. Harrington

(21) Appl. No.: **29/113,522**

(57) **CLAIM**

(22) Filed: **Nov. 8, 1999**

The ornamental design for a compact disc display tower, as shown and described.

(51) **LOC (7) Cl.** ..... **06-04**

(52) **U.S. Cl.** ..... **D6/629**

(58) **Field of Search** ..... D6/407, 626–630,  
D6/462–468, 456; 312/9.1–9.64; D32/55,  
58; 211/40, 41.1, 41.2, 41.3, 41.4, 42, 41.12,  
41.18; 206/307.1, 307, 308.1, 445, 387.15,  
454, 387.1, 425

**DESCRIPTION**

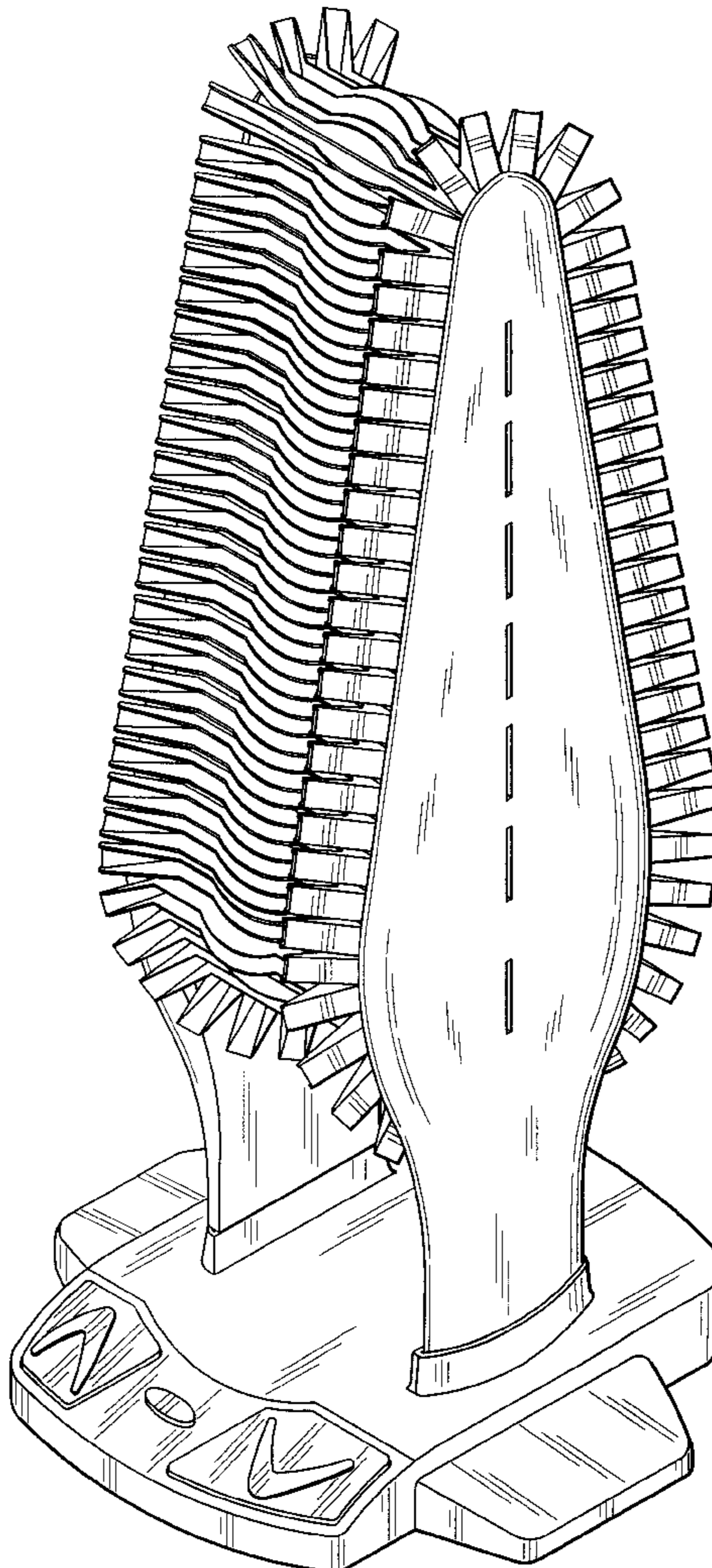
FIG. 1 is a frontal perspective view of a compact disc display tower, showing my new design;  
FIG. 2 is a right side view, the left side view being a mirror image thereof;  
FIG. 3 is a front view;  
FIG. 4 is a rear view;  
FIG. 5 is a top view; and,  
FIG. 6 is a bottom view.

(56) **References Cited**

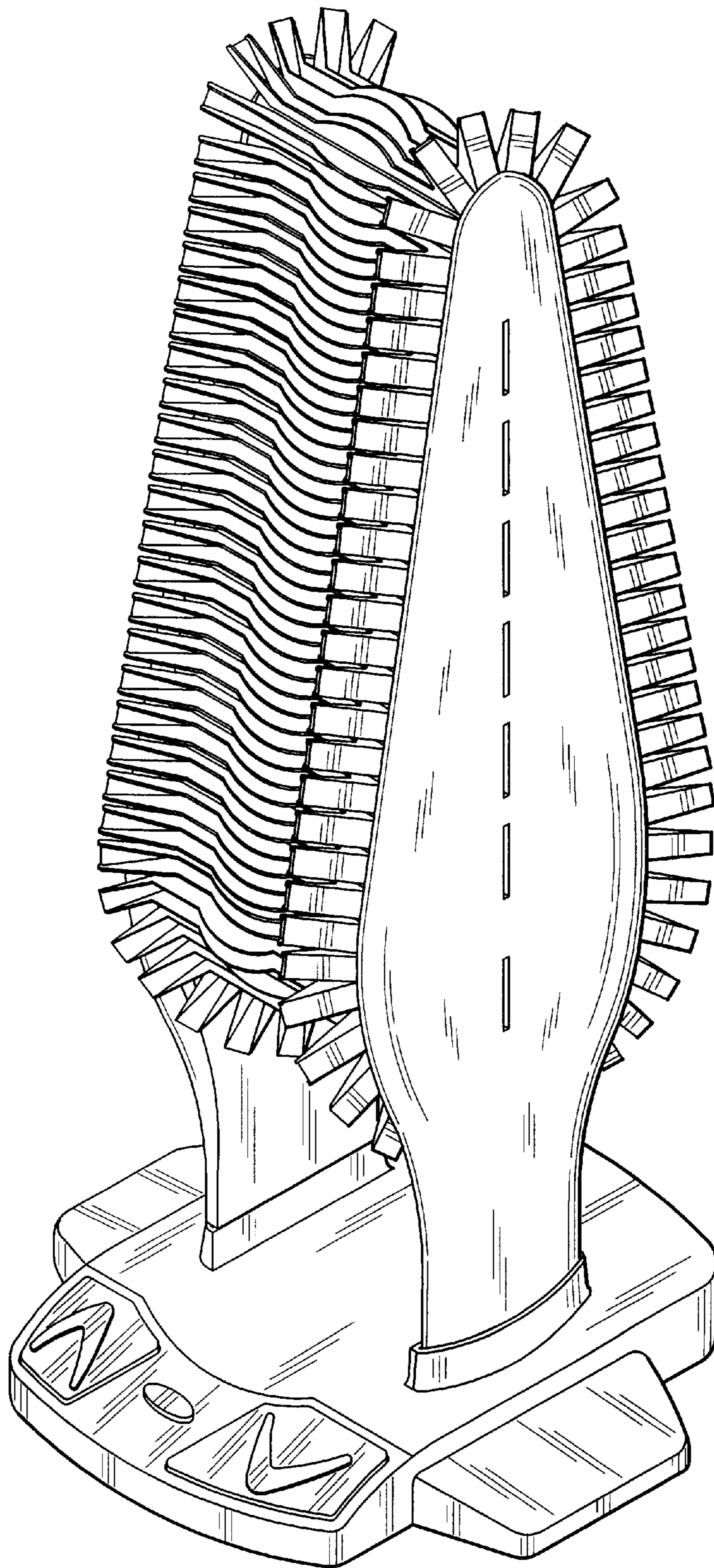
**U.S. PATENT DOCUMENTS**

D. 223,179 \* 3/1972 Shimosawa ..... D6/465  
D. 353,376 \* 12/1994 Fukutomi ..... D6/407 X

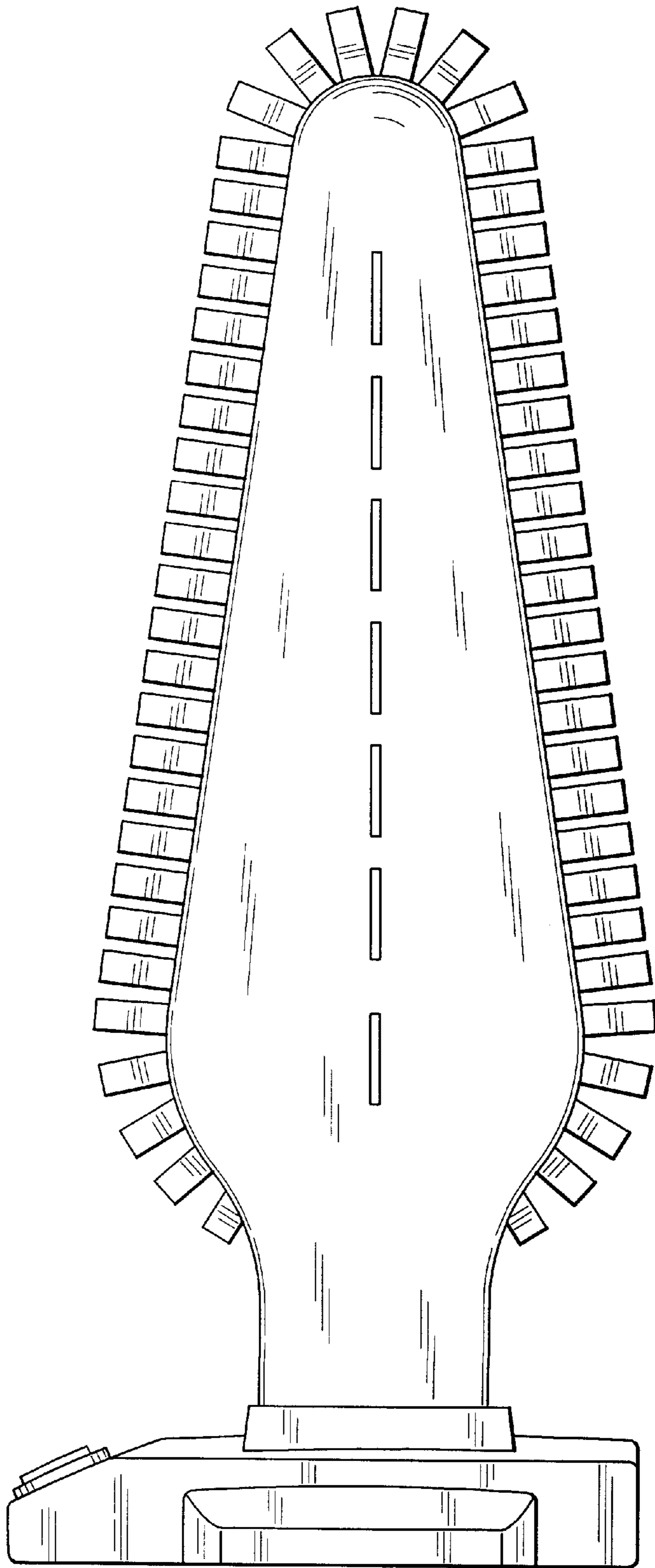
**1 Claim, 5 Drawing Sheets**



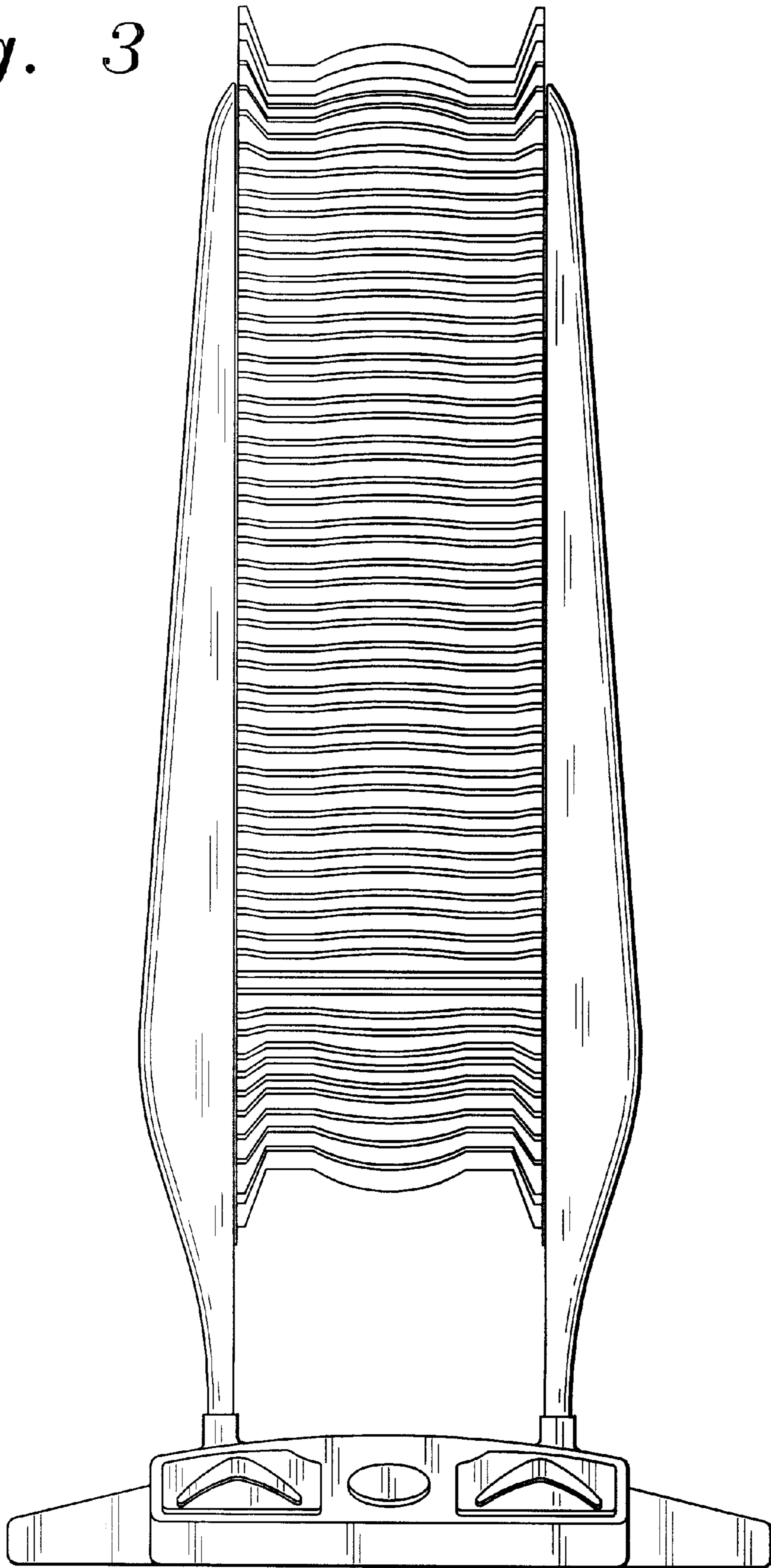
*Fig. 1*



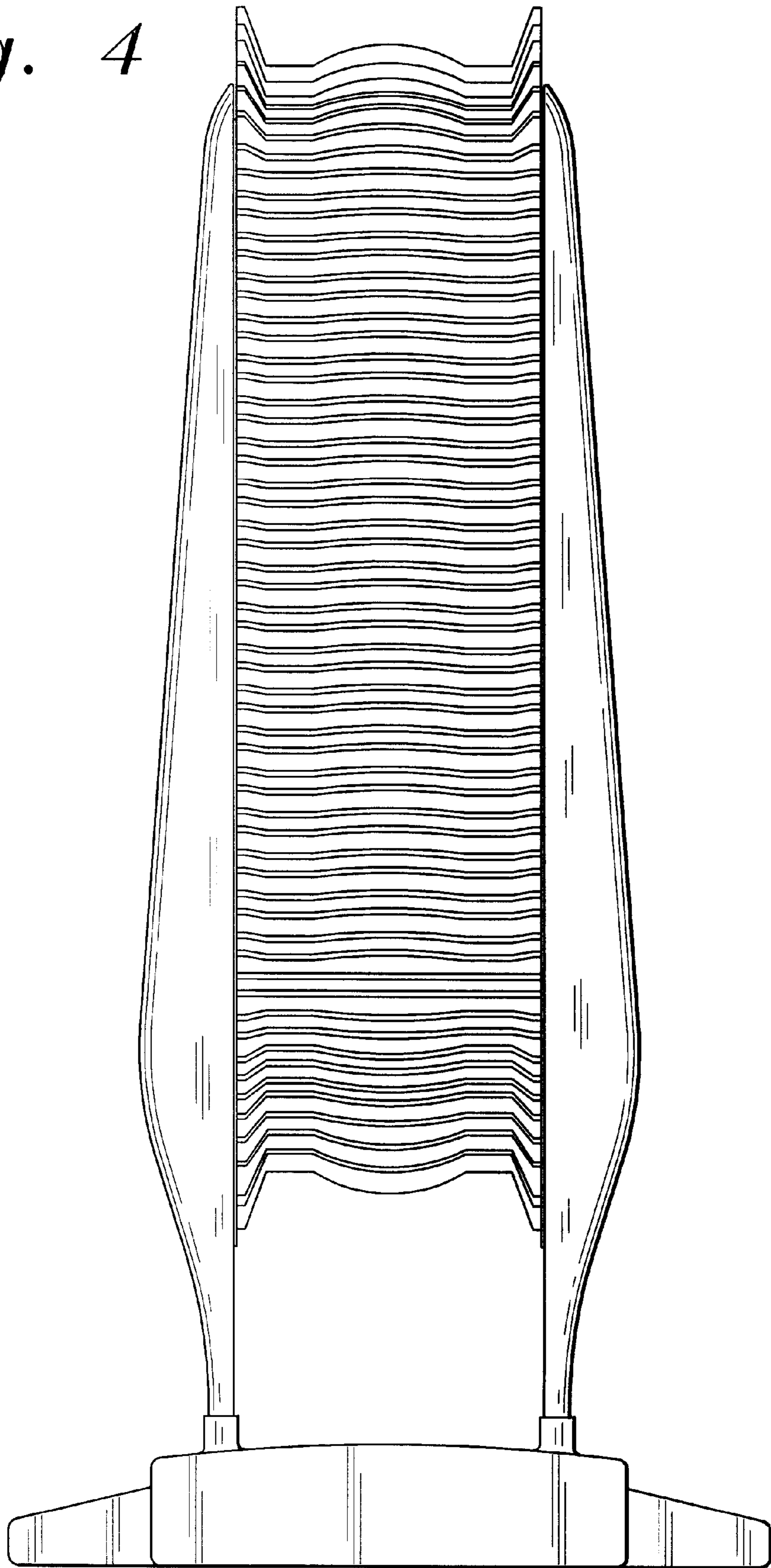
*Fig. 2*



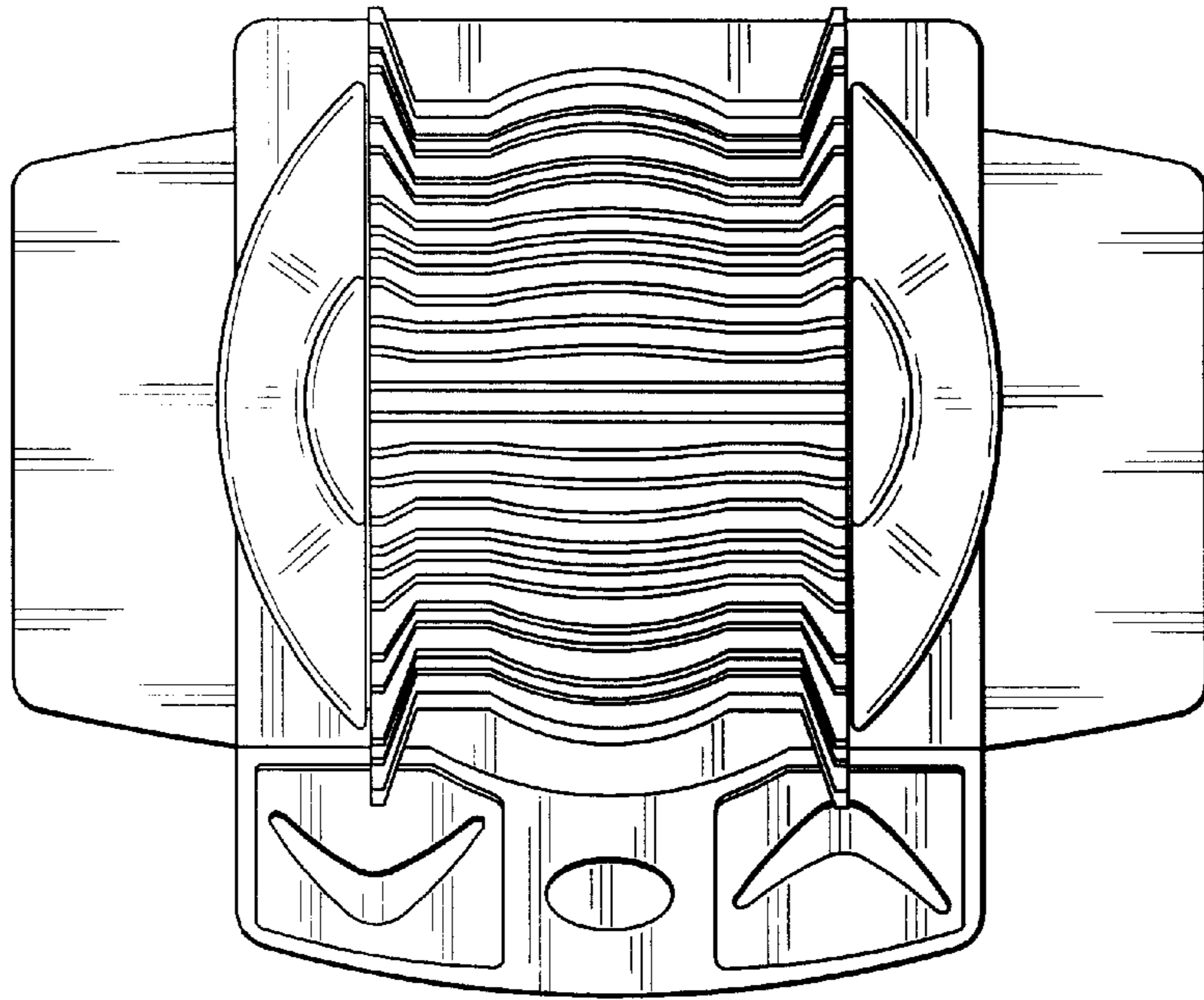
*Fig. 3*



*Fig. 4*



*Fig. 5*



*Fig. 6*

