



US00D448226B1

(12) **United States Design Patent**
Avery

(10) **Patent No.:** **US D448,226 S**

(45) **Date of Patent:** **** Sep. 25, 2001**

(54) **DOORMAT HAVING THE APPEARANCE OF GOLF PUTTING GREEN**

(75) Inventor: **Mark S. Avery**, Rome, GA (US)

(73) Assignee: **Cutting Edge Enterprises, Inc.**, Rome, GA (US)

(**) Term: **14 Years**

(21) Appl. No.: **29/135,136**

(22) Filed: **Jan. 9, 2001**

Related U.S. Application Data

(62) Division of application No. 29/122,189, filed on Apr. 21, 2000, now Pat. No. Des. 440,105.

(51) **LOC (7) Cl.** **06-11**

(52) **U.S. Cl.** **D6/588; D6/592; D21/792**

(58) **Field of Search** D6/582-594; D20/10, D20/14, 23, 27-32, 39-40, 99; D21/300, 334, 350, 355, 358, 312, 319, 303, 789, 790, 792; 4/581-583; 5/417; 15/215-217, 238; 16/4, 7-9, 16; 428/82, 88, 95, 83, 122, 167

(56) **References Cited**

U.S. PATENT DOCUMENTS

D. 82,300	*	10/1930	Akin et al.	D21/319
D. 83,510	*	3/1931	Carter	D21/319
D. 175,419	*	8/1955	Kent	D21/792
D. 175,463	*	8/1955	Elesh	D21/792
D. 187,538	*	3/1960	Lasting	D21/319
D. 246,059	*	10/1977	Malish	D21/303
D. 267,385		12/1982	Burt	.	
D. 267,459		1/1983	Burt	.	
D. 282,996		3/1986	Bosenberg	.	
D. 311,216	*	10/1990	Simjian	D21/790
D. 321,616	*	11/1991	Barfield	D21/358
D. 326,480	*	5/1992	Scott	D21/319
D. 347,661	*	6/1994	Dickson	D21/319

D. 353,433	*	12/1994	Erdoes et al.	D21/792
D. 353,506	*	12/1994	Brandon	D6/583
D. 368,119	*	3/1996	Hourie	D21/358
D. 384,849	*	10/1997	Lombardo	D6/591
D. 395,457	*	6/1998	Tsou	D21/792
D. 405,839	*	2/1999	Childs	D21/319
D. 411,400		6/1999	Yancey, Jr.	.	
D. 411,601	*	6/1999	Fong	D21/791
2,515,847	*	7/1950	Winkler	428/95
3,578,333	*	5/1971	Elesh	473/171

* cited by examiner

Primary Examiner—Ted Shooman

Assistant Examiner—Carol Rademaker

(74) *Attorney, Agent, or Firm*—Pillsbury Winthrop LLP

(57) **CLAIM**

The ornamental design for a doormat simulating a golf putting green, as shown and described.

DESCRIPTION

A portion of the disclosure of this patent document contains material to which a claim for copyright is made. The copyright owner has no objection to the facsimile reproduction of the patent document or the patent disclosure, as it appears in the Patent and Trademark Office patent file or records, but reserves all other copyrights whatsoever.

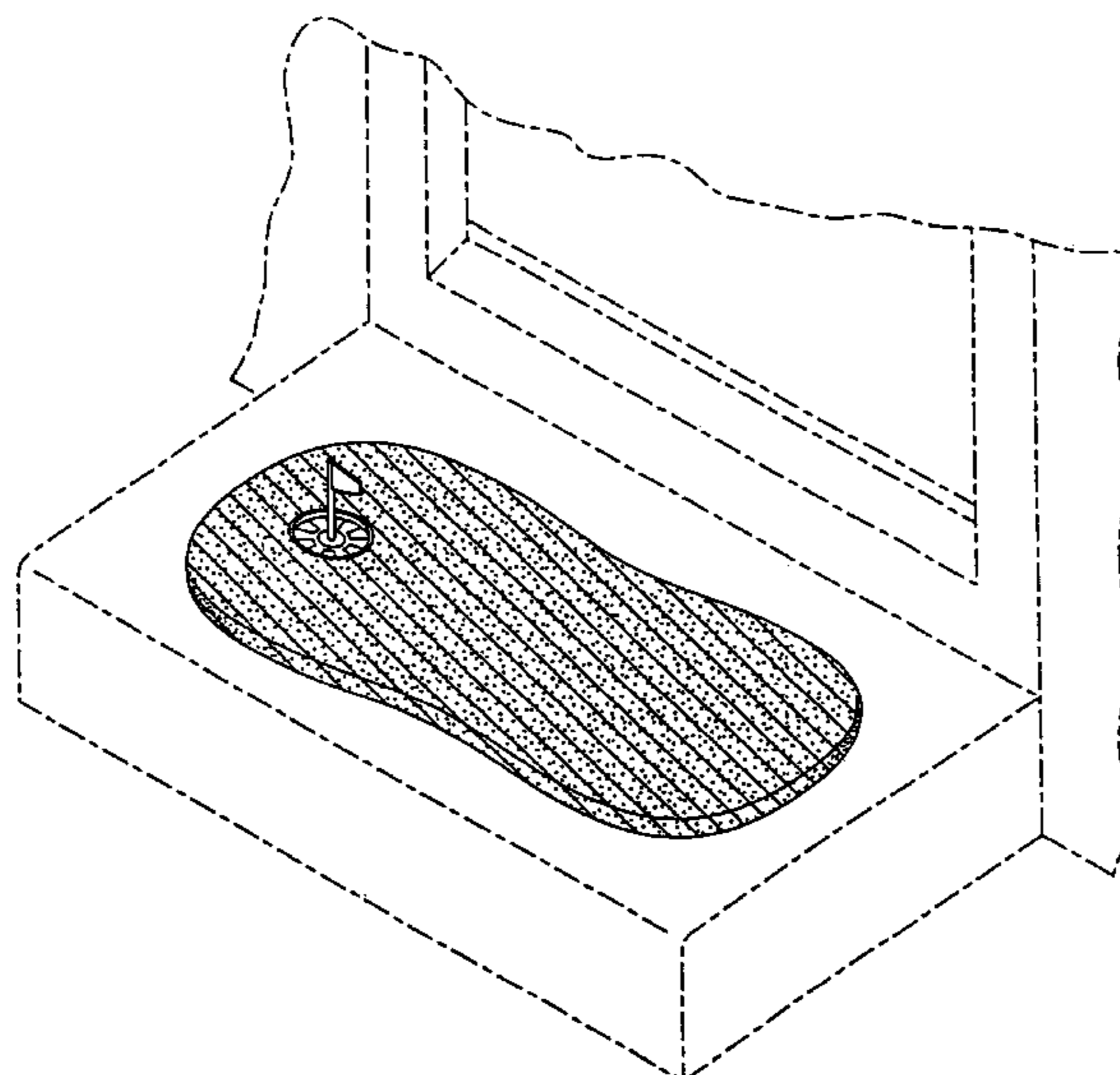
FIG. 1 is a perspective view of a doormat having the appearance of a golf putting green embodying my new design;

FIG. 2 is a side elevational view of the doormat of FIG. 1; and,

FIG. 3 is a top plan view of the doormat of FIG. 1.

The drawing FIGS 1-3, showing a doormat having the appearance of a golf putting green, are lined for the color green using standard PTO symbols. The broken line showing of environment of a doorway and of a step in FIG. 1 is for illustrative purposes only and forms no part of the claimed design.

1 Claim, 2 Drawing Sheets



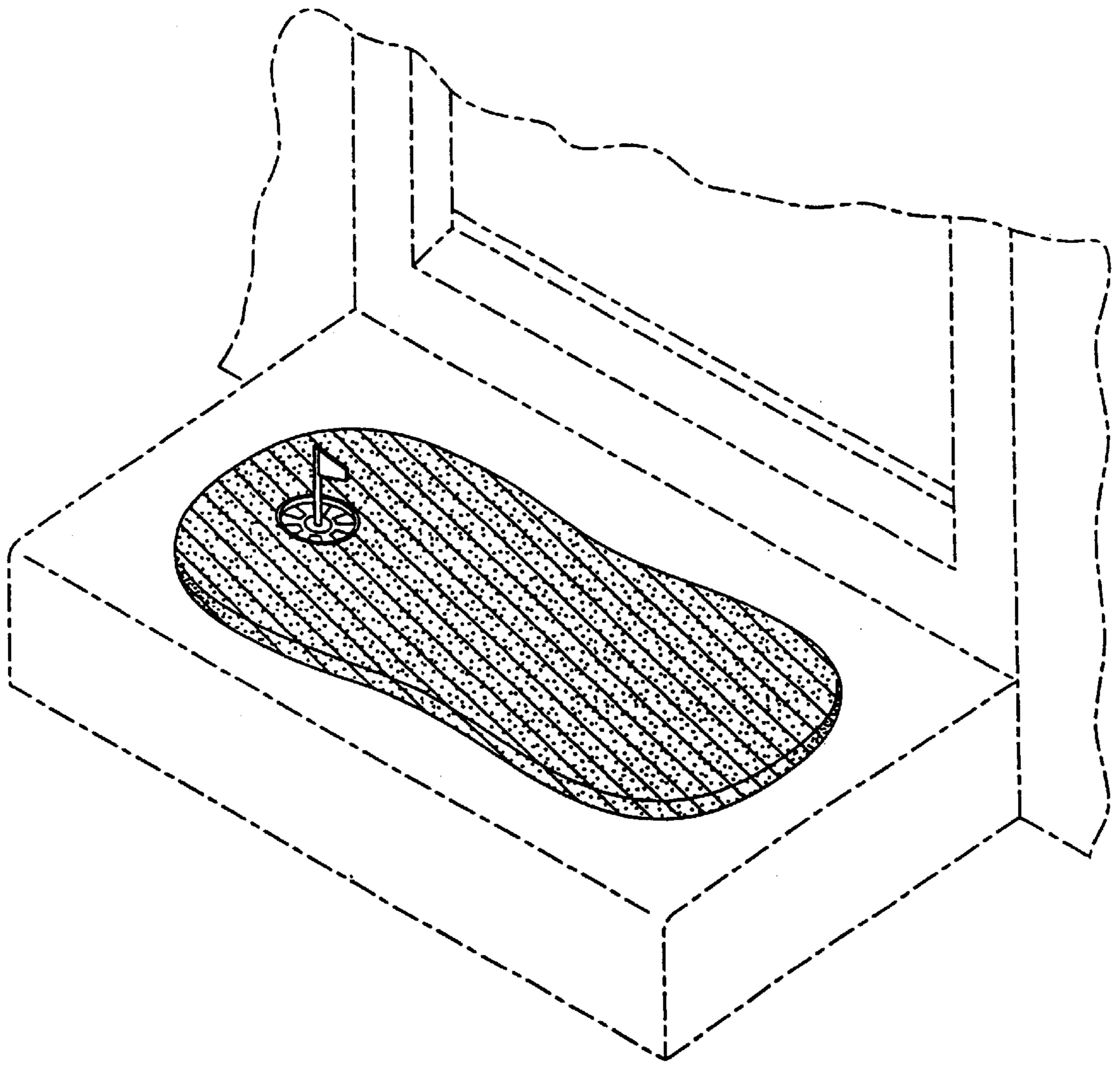


FIG. 1

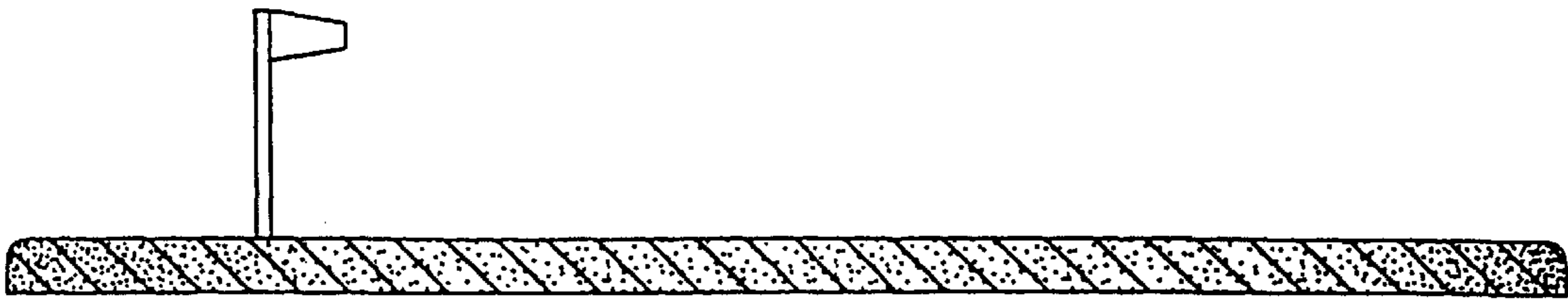


FIG. 2

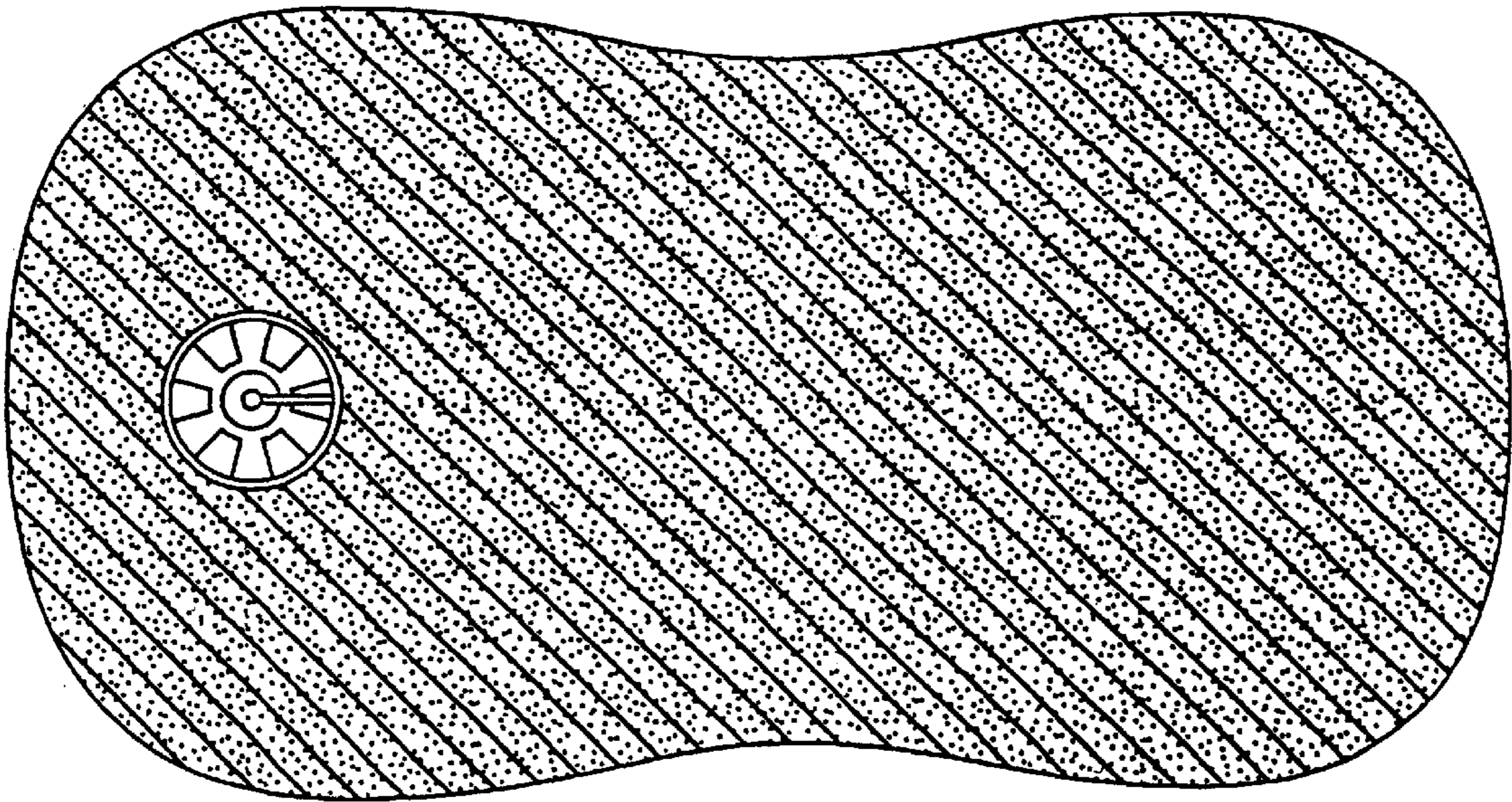


FIG. 3