



US00D448224B1

(12) **United States Design Patent**
Voyer

(10) **Patent No.:** **US D448,224 S**

(45) **Date of Patent:** **** Sep. 25, 2001**

(54) **ASSEMBLY OF A PAPER ROLL HOLDER AND A LIQUID PUMP**

Primary Examiner—Brian N. Vinson
(74) *Attorney, Agent, or Firm*—Willie Krawitz

(76) **Inventor:** **Dunn Voyer**, 1080 Santa Cruz, Costa Mesa, CA (US) 92626

(57) **CLAIM**

The ornamental design for an assembly of a paper roll holder and a liquid pump, as shown and described.

(**) **Term:** **14 Years**

DESCRIPTION

(21) **Appl. No.:** **29/124,292**

FIG. 1 is a perspective view of an assembly of a paper roll holder and a liquid pump, showing my design;
FIG. 2 is a left side elevation view thereof;
FIG. 3 is a right side elevation plan view, thereof;
FIG. 4 is a top plan view thereof.
FIG. 5 is a front elevation view thereof;
FIG. 6 is a bottom plan view thereof;
FIG. 7 is a rear elevation view thereof; and,
FIG. 8 is a perspective view of a second embodiment thereof.

(22) **Filed:** **Jun. 3, 2000**

(51) **LOC (7) Cl.** **20-02**

(52) **U.S. Cl.** **D6/519; D6/523**

(58) **Field of Search** D6/518-523; 206/389; 211/13.1; 221/282-283; 222/173, 632; 242/570, 590, 595-596, 598

The broken-line disclosure of a pump mechanism in the views is for illustrative purposes only and forms no part of the claimed design.

(56) **References Cited**

U.S. PATENT DOCUMENTS

D. 214,839	*	8/1969	Louis	D6/519
D. 232,606	*	9/1974	Rocca	D6/519
D. 327,192	*	6/1992	Geuvjehizian	D6/518
5,878,893	*	3/1999	Micienko	211/13.1

* cited by examiner

1 Claim, 2 Drawing Sheets

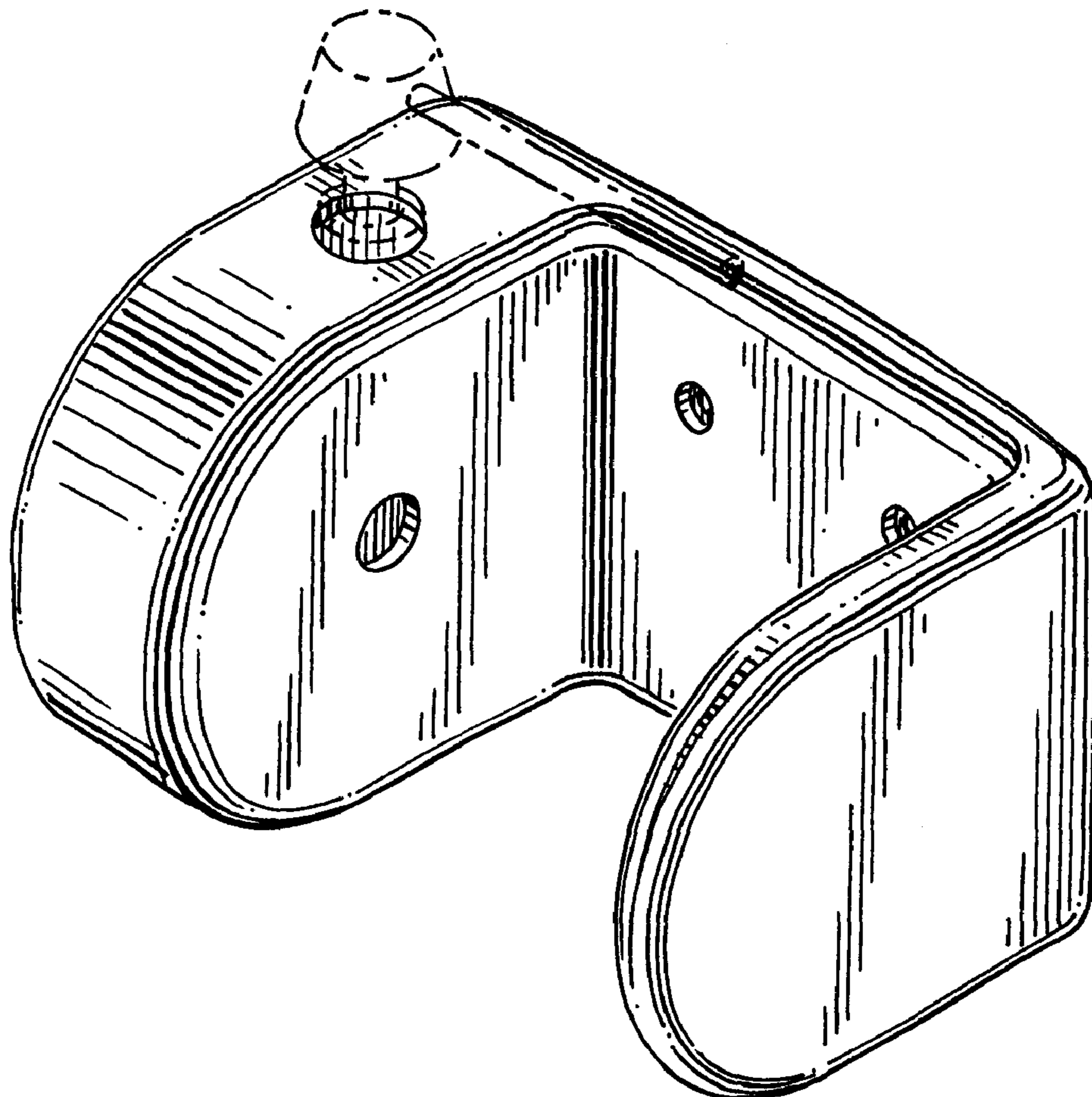


FIG. 1

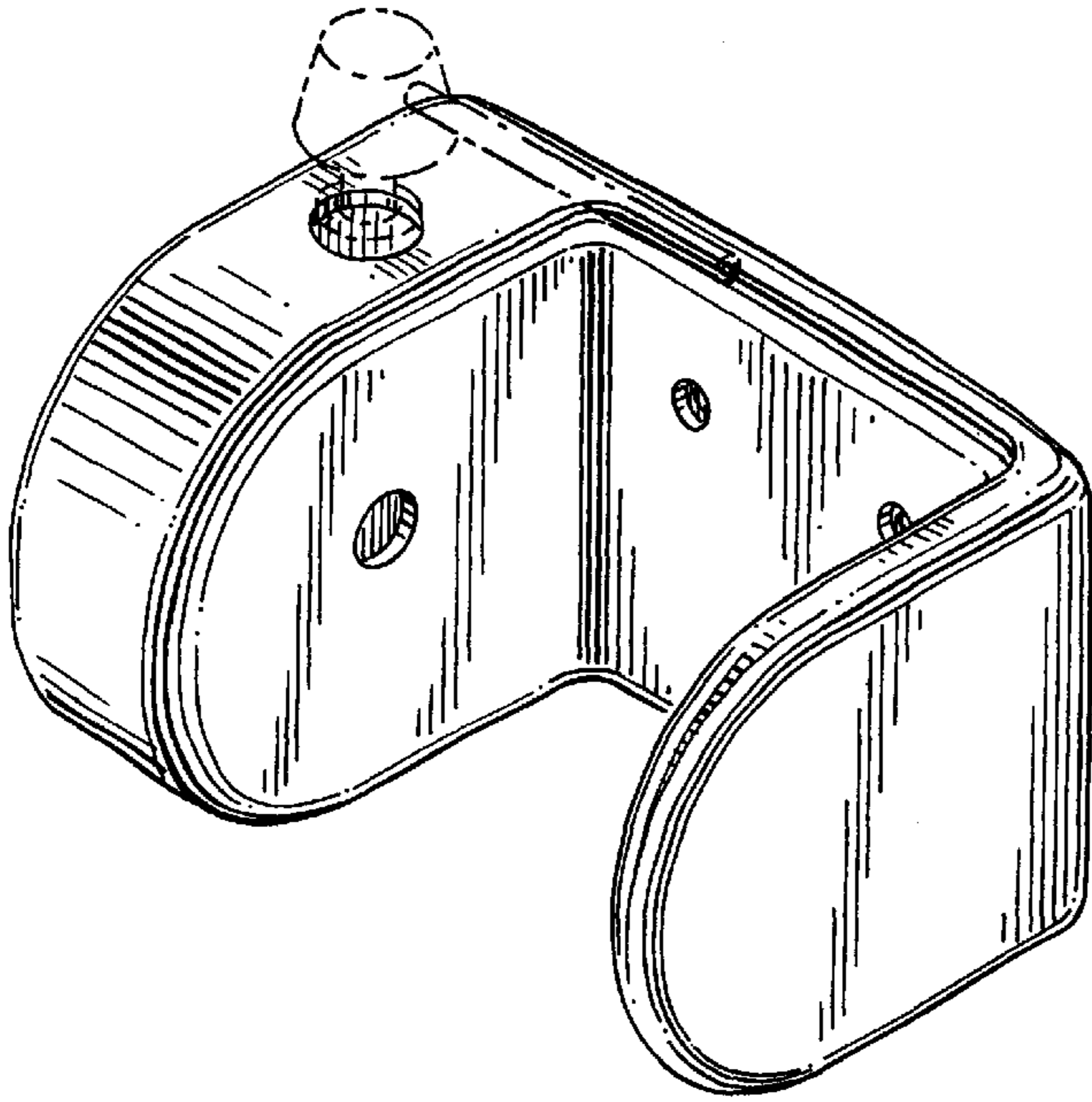


FIG. 2

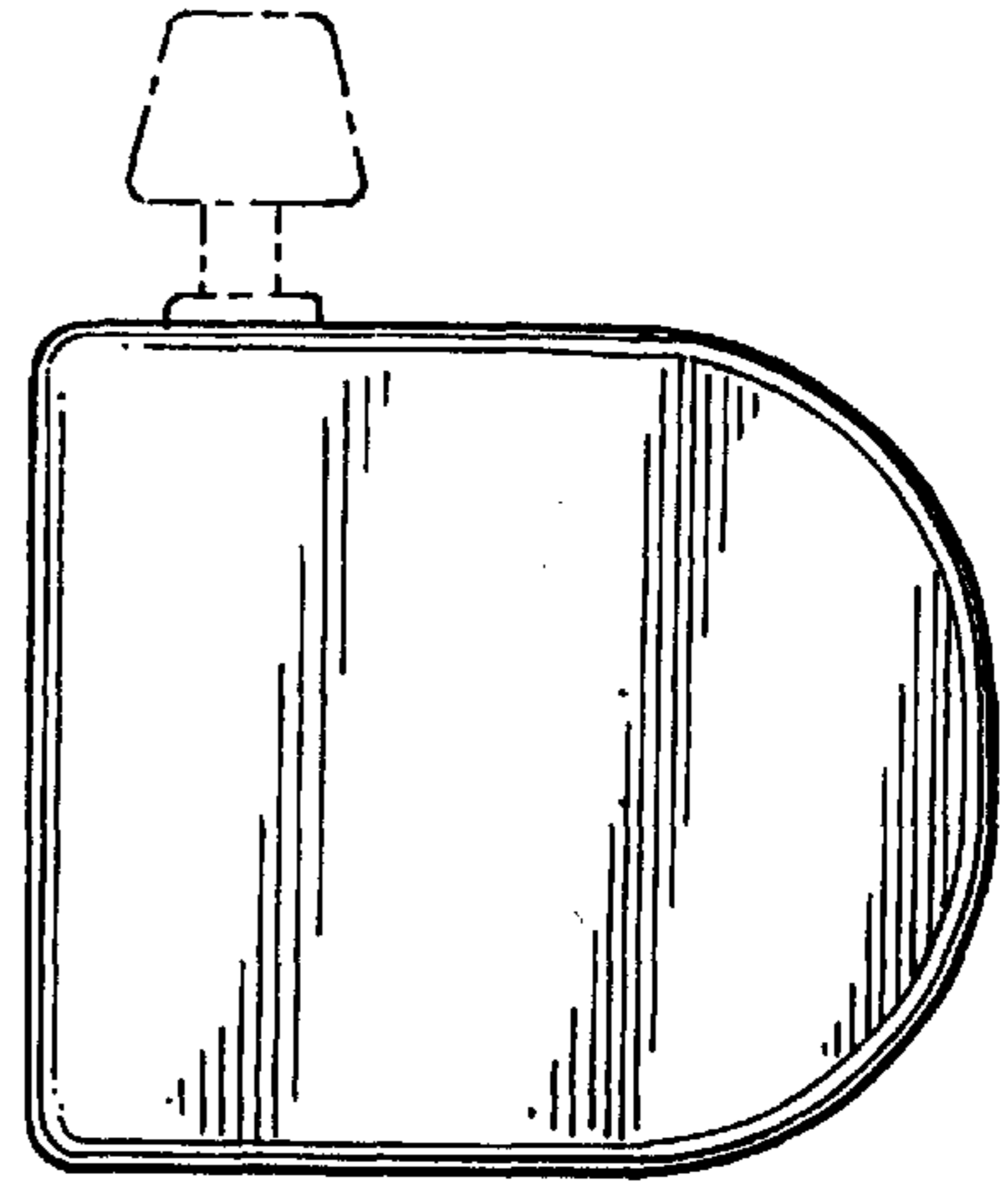


FIG. 4

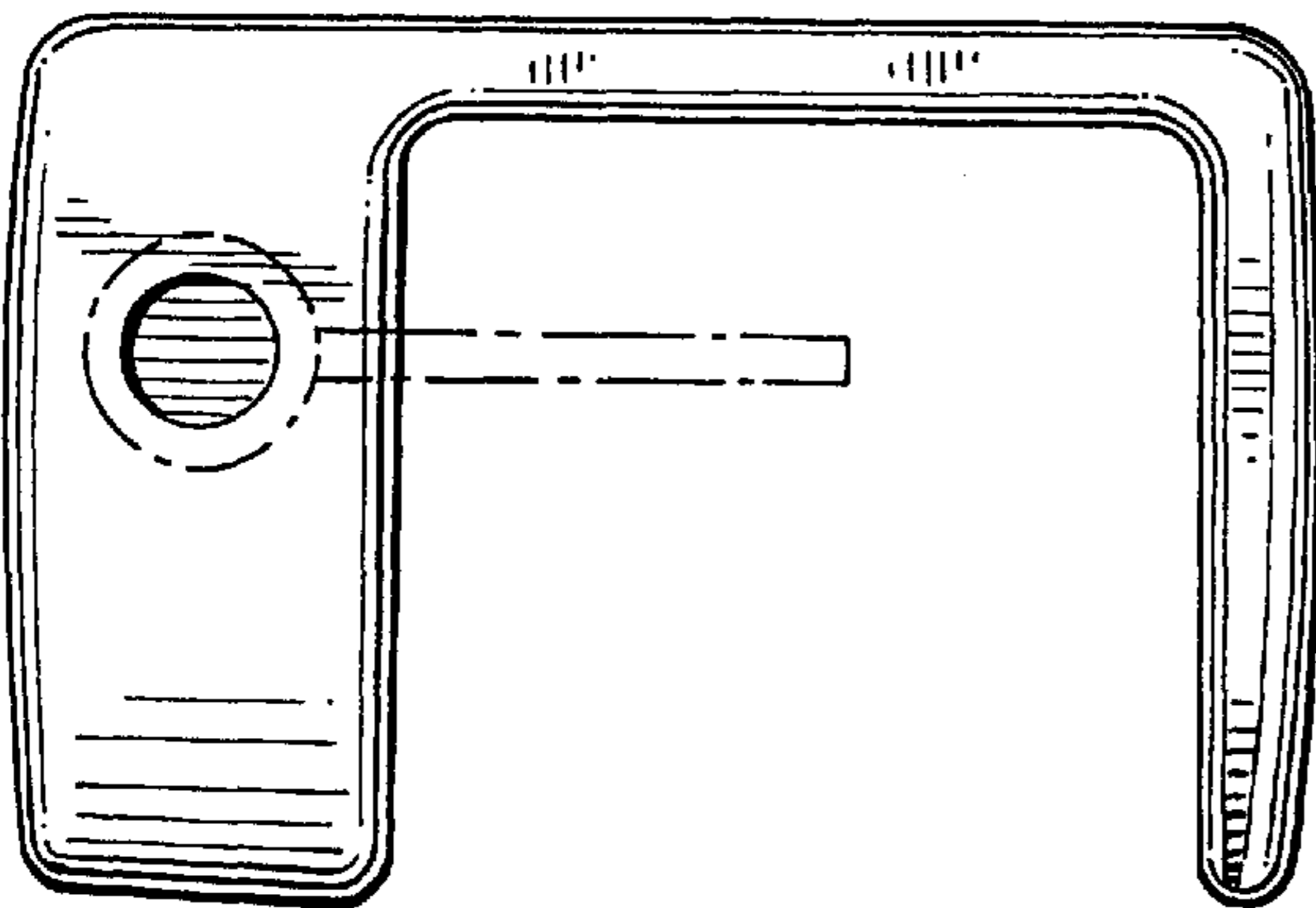


FIG. 3

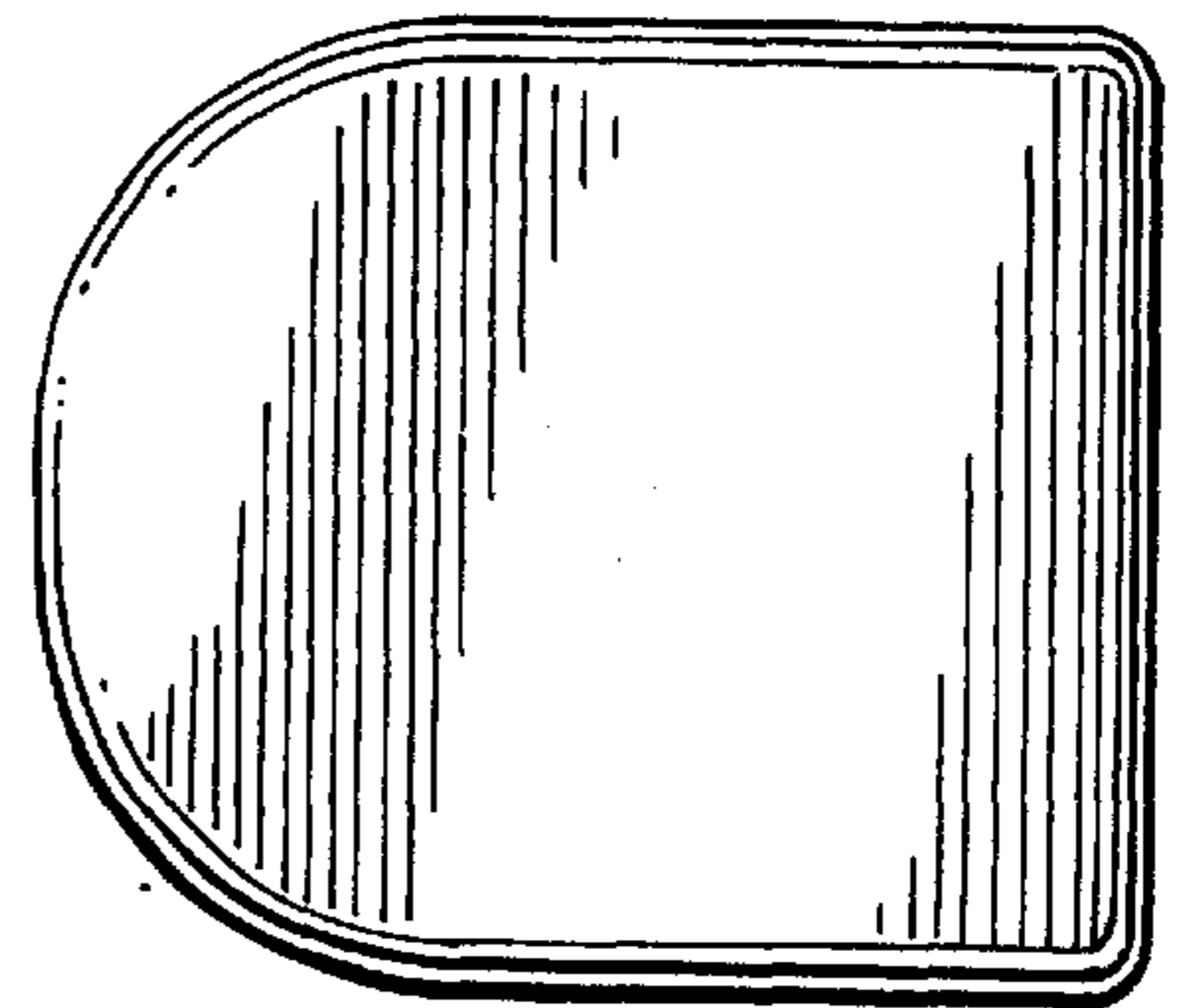


FIG. 5

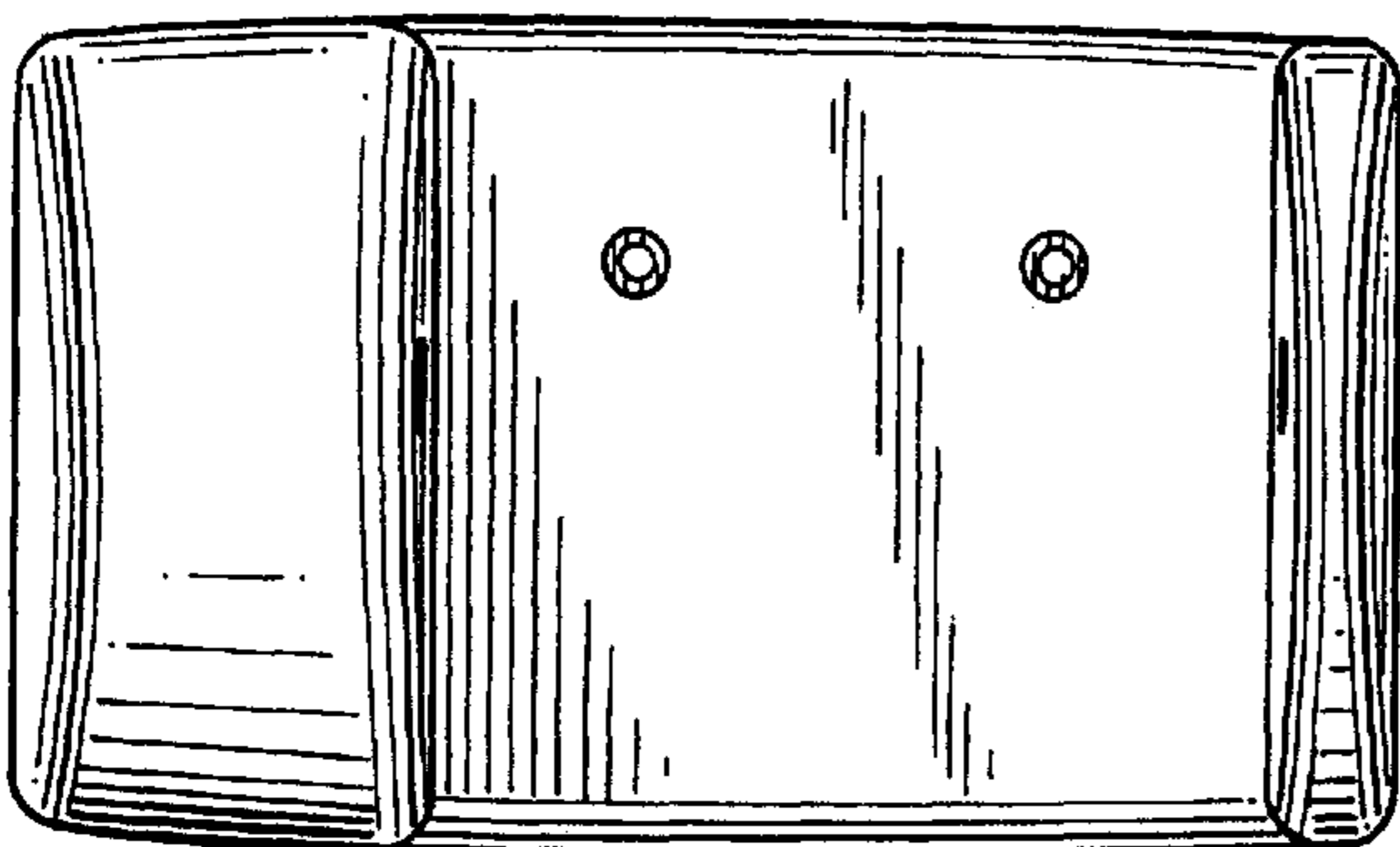


FIG. 6

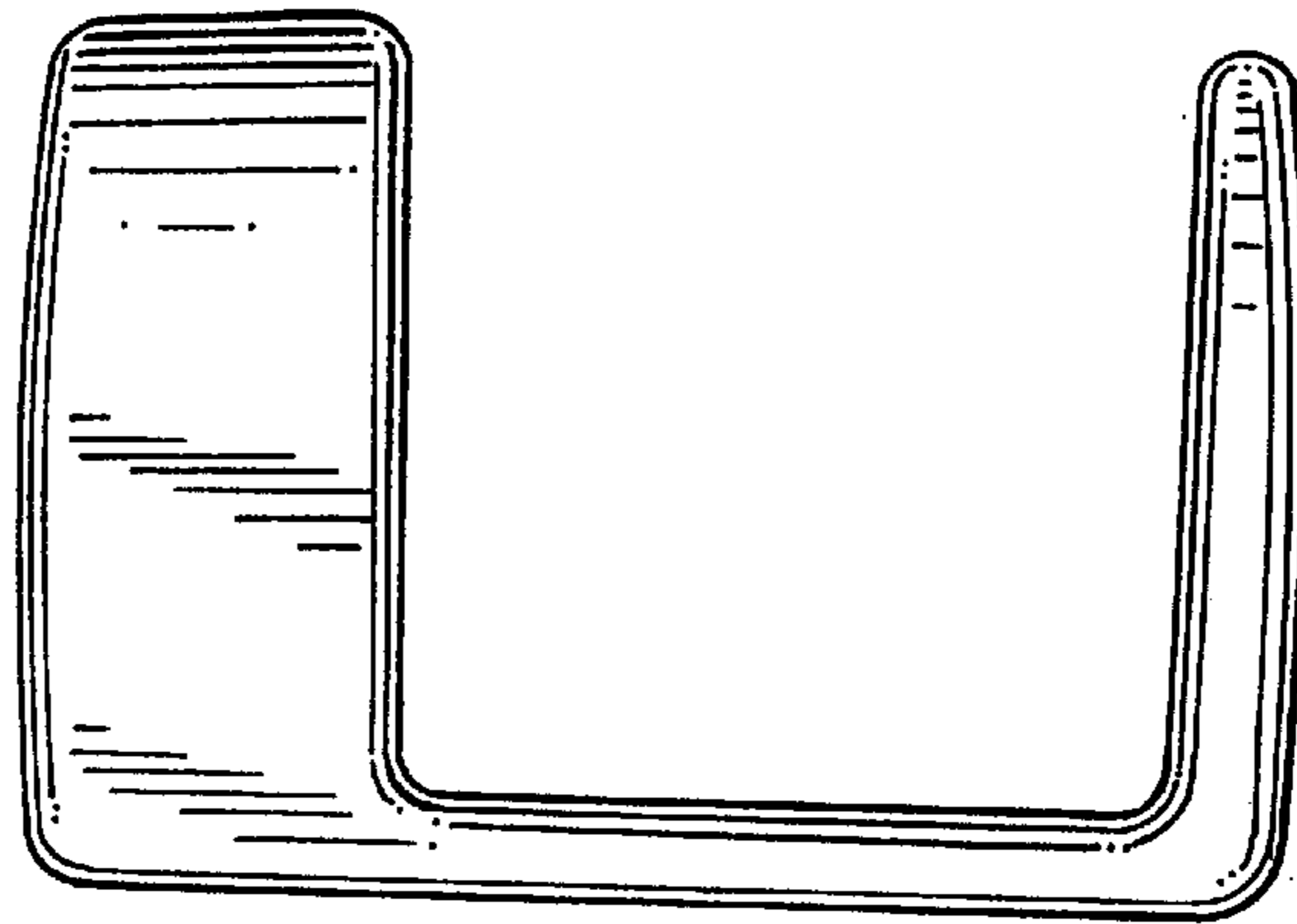


FIG. 7

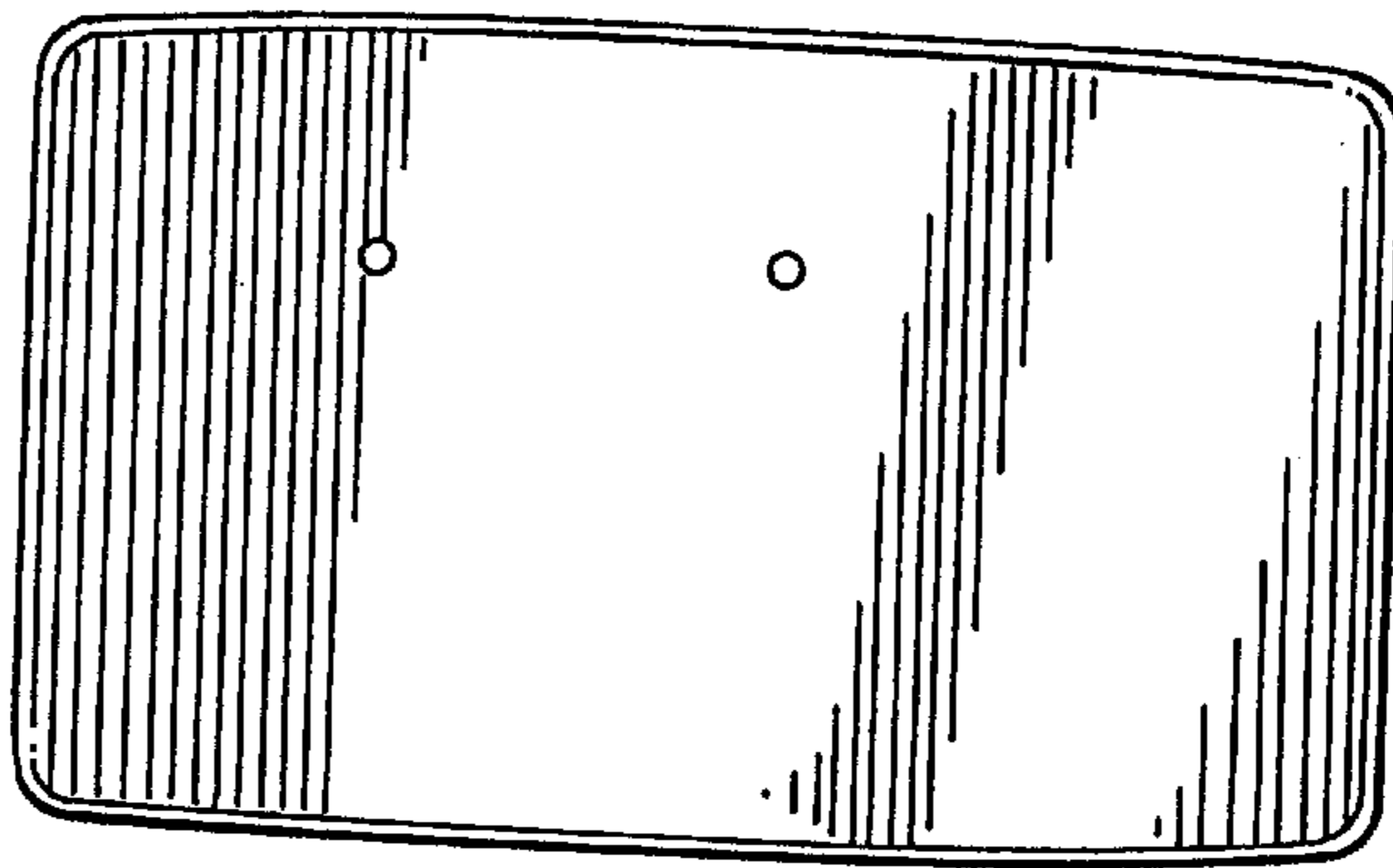


FIG. 8

