



US00D448222B1

(12) **United States Design Patent**
Fischer

(10) **Patent No.:** **US D448,222 S**

(45) **Date of Patent:** **** Sep. 25, 2001**

(54) **DISPENSER HOUSING**

(75) Inventor: **Abraham Fisscher**, Nashville, TN (US)

(73) Assignee: **Georgia-Pacific Corporation**, Atlanta, GA (US)

(**) Term: **14 Years**

(21) Appl. No.: **29/137,957**

(22) Filed: **Mar. 5, 2001**

(51) **LOC (7) Cl.** **20-02**

(52) **U.S. Cl.** **D6/518; D6/522**

(58) **Field of Search** D6/518, 522, 515;
242/570, 590; 312/34.8, 34.22, 34.1

(56) **References Cited**

U.S. PATENT DOCUMENTS

D. 347,535	*	6/1994	Krueger et al.	D6/522
D. 363,628	*	10/1995	McCanless	D6/522
D. 398,797	*	9/1998	Brandenburg et al.	D6/522
D. 426,412	*	6/2000	Cameron	D6/522
D. 439,456	*	3/2001	Ehrensperger	D6/518
2,487,763	*	11/1949	Patterson et al.	312/34.8
3,140,060	*	7/1964	Layton et al.	242/590 X

OTHER PUBLICATIONS

Georgia-Pacific, brochure, Office Buildings, *Hygienic Dispensing Systems and Products for Office Building*, (Coromatic Dispensers) 2 pages, May 1999.

Georgia-Pacific, *Ultimatic® System Solution*, 1 Sheet (front and back), Jun. 1998.

* cited by examiner

Primary Examiner—Brian N. Vinson

(74) *Attorney, Agent, or Firm*—Banner & Witcoff, Ltd.

(57) **CLAIM**

The ornamental design for a dispenser housing, as shown and described.

DESCRIPTION

FIG. 1 is a perspective view of a dispenser housing showing my new design;

FIG. 2 is a right side view thereof;

FIG. 3 is a left side view thereof;

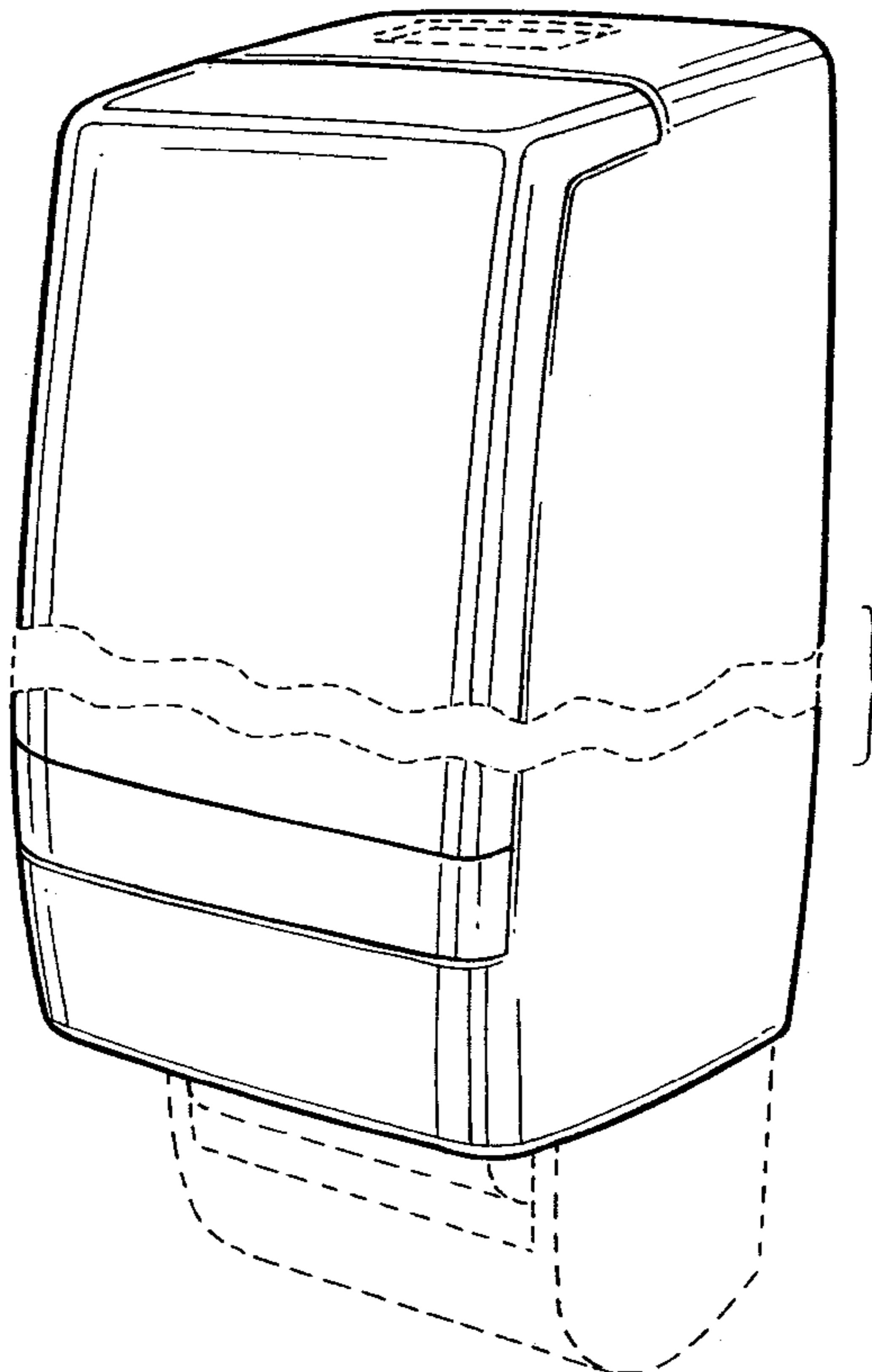
FIG. 4 is a front view thereof;

FIG. 5 is a top view thereof; and,

FIG. 6 is a perspective view of an alternate embodiment thereof, the only difference residing in the height of the disclaimed center section.

The broken line showing of various features is for illustrative features only and forms no part of the claimed design. The generally horizontal wavy broken lines and bracket indicate that the claimed design includes upper and lower sections and that the center section therebetween forms no part of the claimed design. The remainder of the dispenser, including its unshown bottom and rear, forms no part of the claimed design.

1 Claim, 6 Drawing Sheets



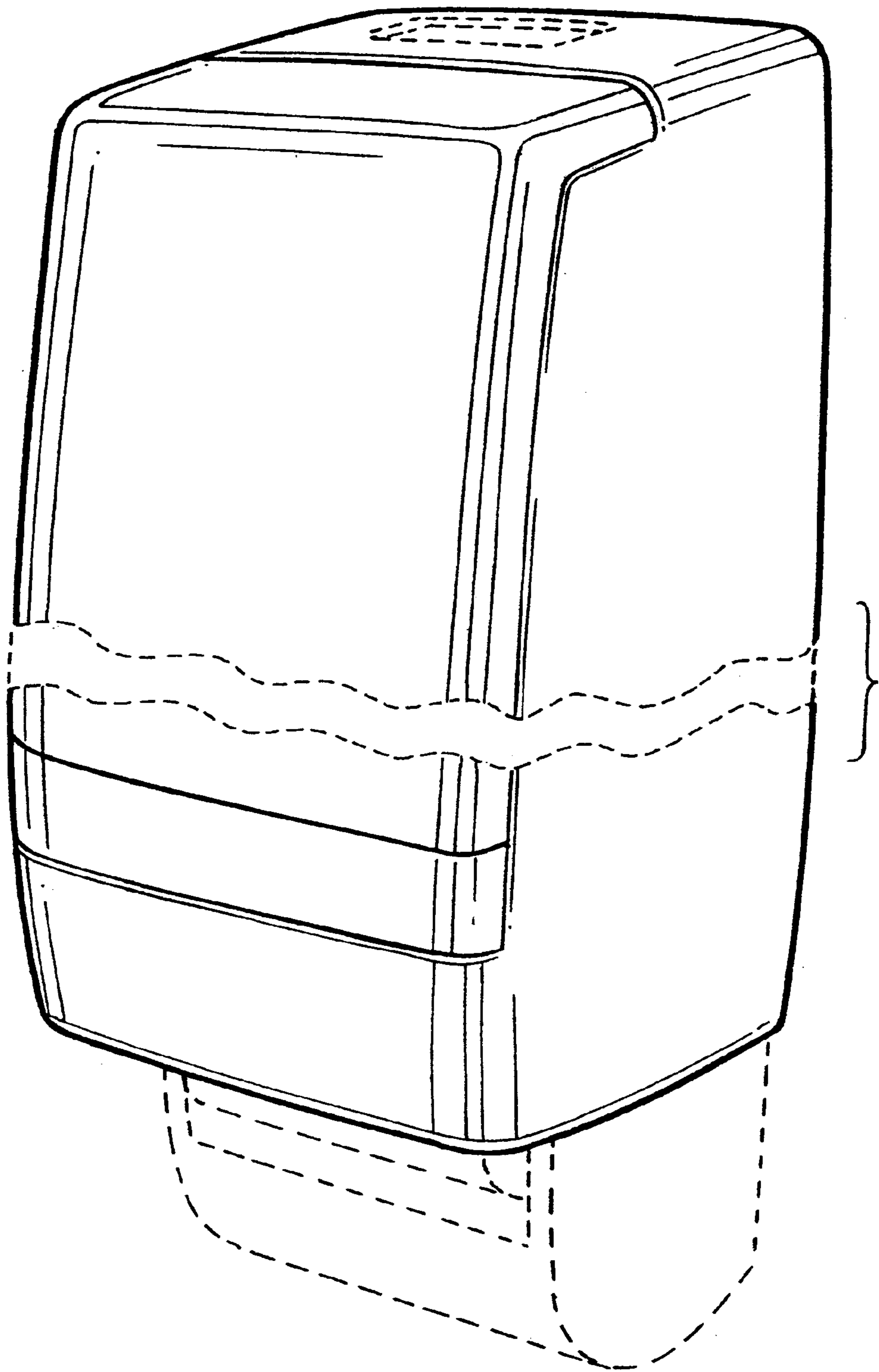


FIG. 1

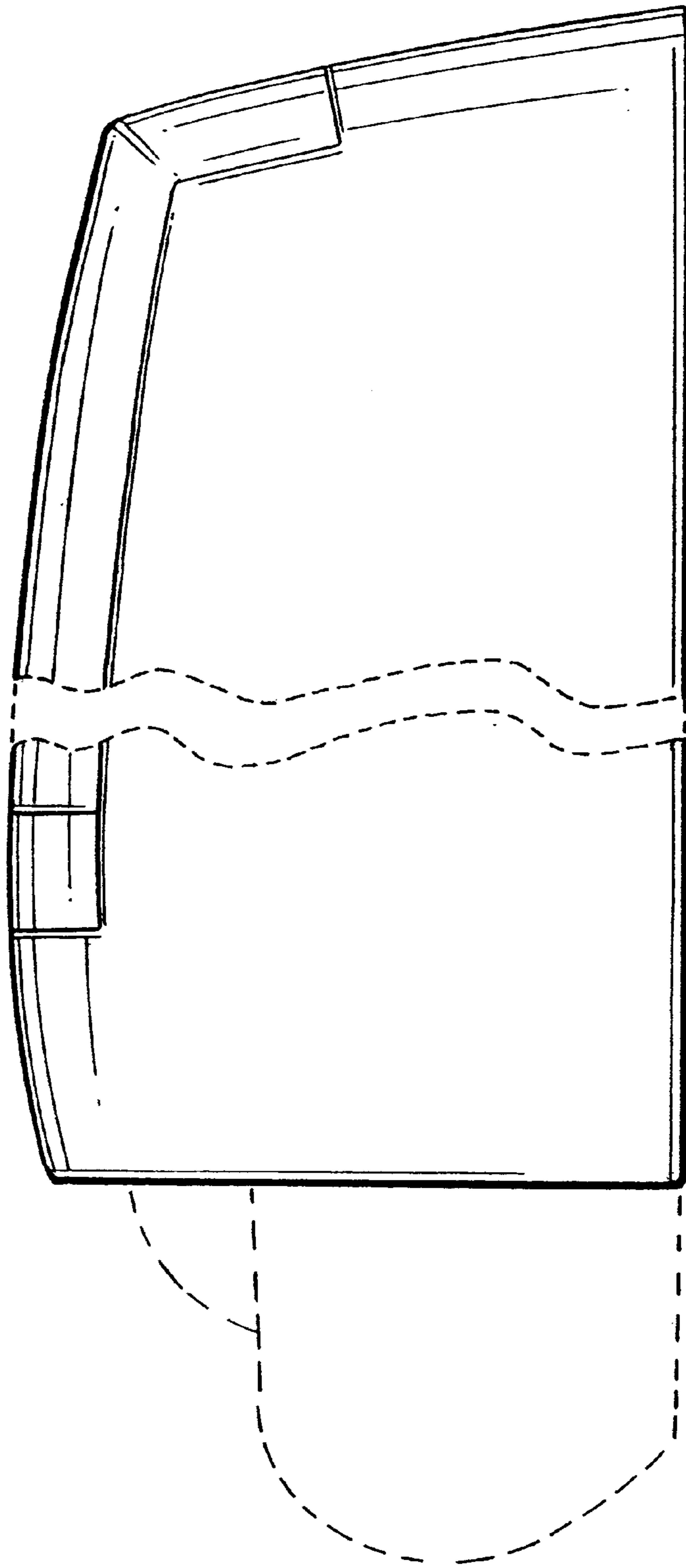


FIG. 2

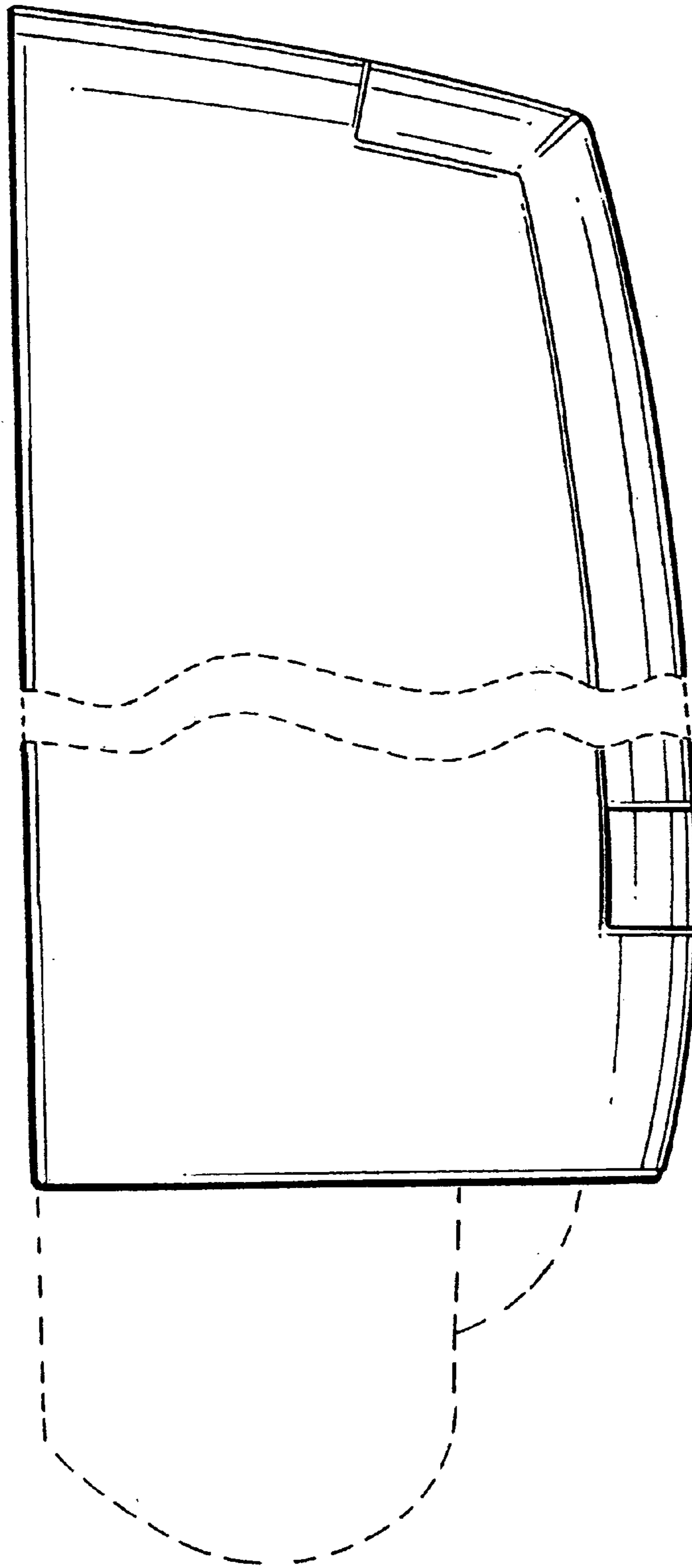


FIG. 3

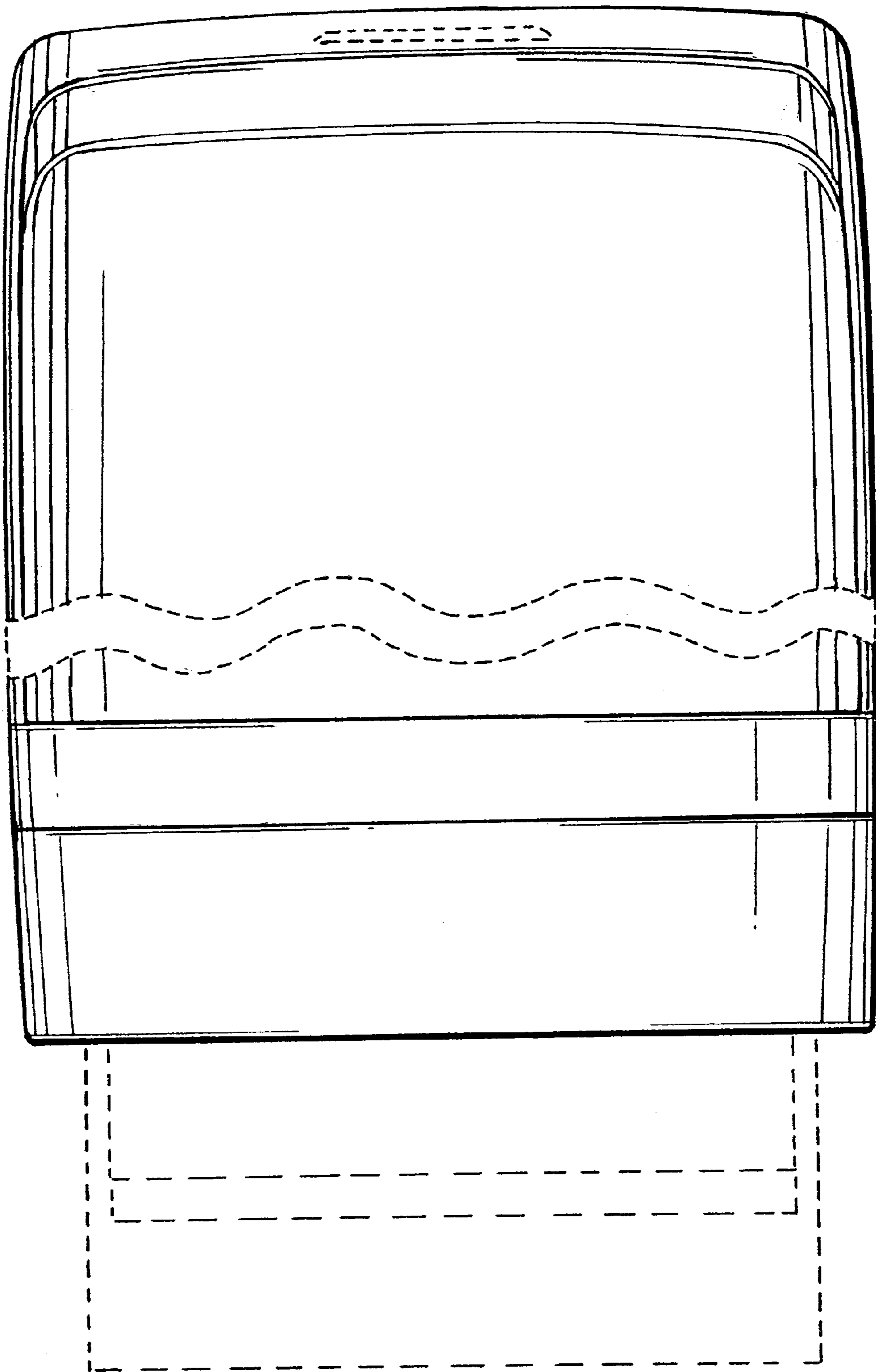


FIG. 4

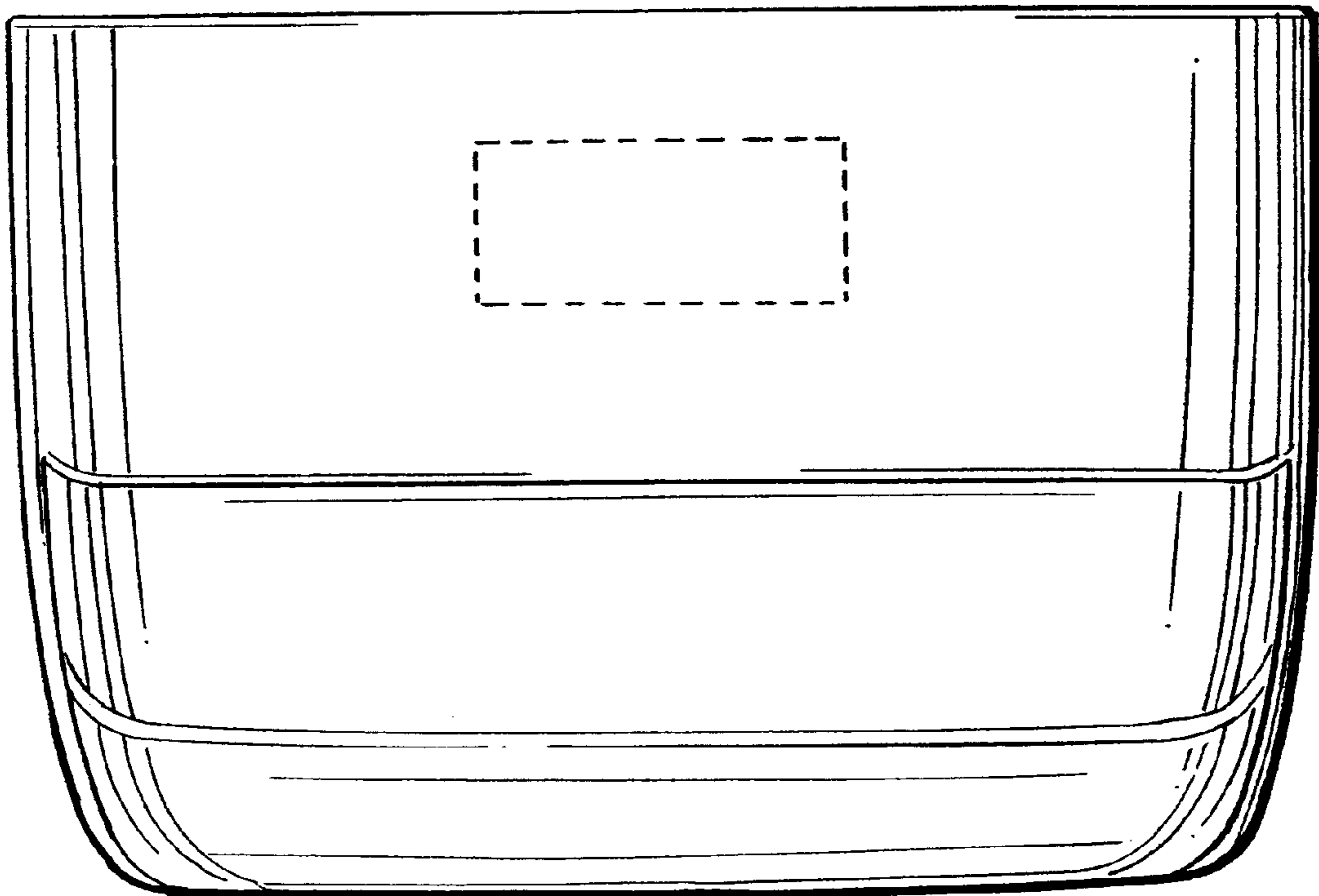


FIG. 5

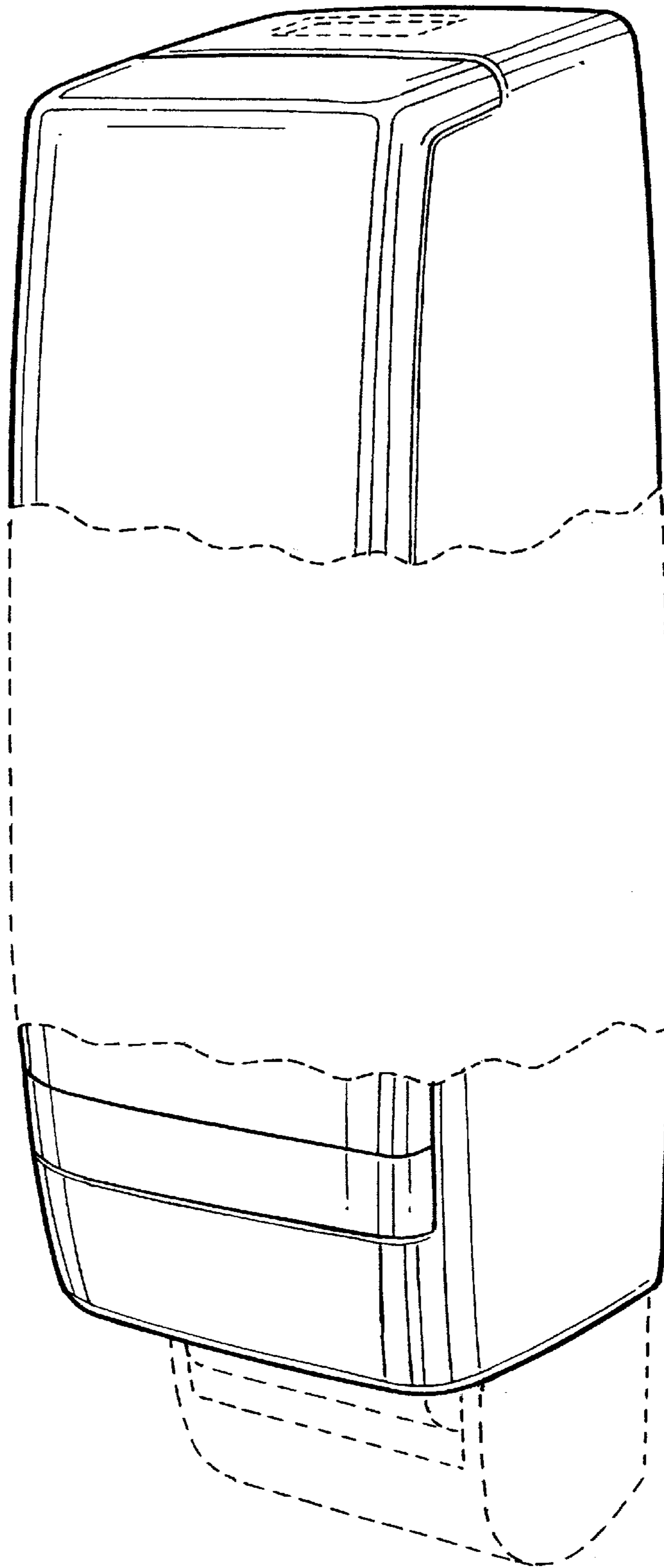


FIG. 6