



US00D448219B1

(12) **United States Design Patent**  
**Parker**

(10) **Patent No.:**

**US D448,219 S**

(45) **Date of Patent:**

**\*\* Sep. 25, 2001**

(54) **CASTORED BASE FOR A CHAIR**

(75) **Inventor:** **Kent Wallace Parker**, Wellington (NZ)

(73) **Assignee:** **Formway Furniture Limited**,  
Wellington (NZ)

(\*\*) **Term:** **14 Years**

(21) **Appl. No.:** **29/130,359**

(22) **Filed:** **Sep. 28, 2000**

(51) **LOC (7) Cl.** ..... **06-06**

(52) **U.S. Cl.** ..... **D6/498; D6/366**

(58) **Field of Search** ..... D6/334, 335, 364,  
D6/365, 366, 367, 498, 500, 501, 502;  
248/188, 188.1, 188.7, 188.8, 188.9

(56) **References Cited**

**U.S. PATENT DOCUMENTS**

- D. 260,216 \* 8/1981 Buhk ..... D6/498
- D. 267,384 \* 12/1982 Faull ..... D6/498
- D. 292,655 \* 11/1987 Hendrick ..... D6/366

(List continued on next page.)

**FOREIGN PATENT DOCUMENTS**

- 197 16 347  
A1 10/1998 (DE) .
- 0 032 839 B1 7/1981 (EP) .
- 0 164 266 A2 12/1985 (EP) .
- 0 164 267 A2 12/1985 (EP) .
- 0 216 578 A2 4/1987 (EP) .
- 0 247 311 B1 12/1987 (EP) .
- 0 249 584 B1 12/1987 (EP) .
- 0 277 474 B2 8/1988 (EP) .
- 0 338 050 B1 10/1989 (EP) .
- 0 499 594 A1 8/1992 (EP) .

- 0 539 733 B1 5/1993 (EP) .
- 0 561 518 A1 9/1993 (EP) .
- 0 592 369 B1 4/1994 (EP) .
- 0 638 265 B1 2/1995 (EP) .
- 0 645 974 B1 4/1995 (EP) .
- 0 960 586 A2 12/1999 (EP) .
- 1 013 198 A2 6/2000 (EP) .
- 2 068 717 B 8/1981 (GB) .
- 2 165 445 A 4/1986 (GB) .
- WO 91/03969 4/1991 (WO) .
- WO 93/03653 3/1993 (WO) .
- WO 94/08491 4/1994 (WO) .
- WO 98/08424 3/1998 (WO) .

*Primary Examiner*—Gary D. Watson

(74) *Attorney, Agent, or Firm*—Workman, Nydegger & Seeley

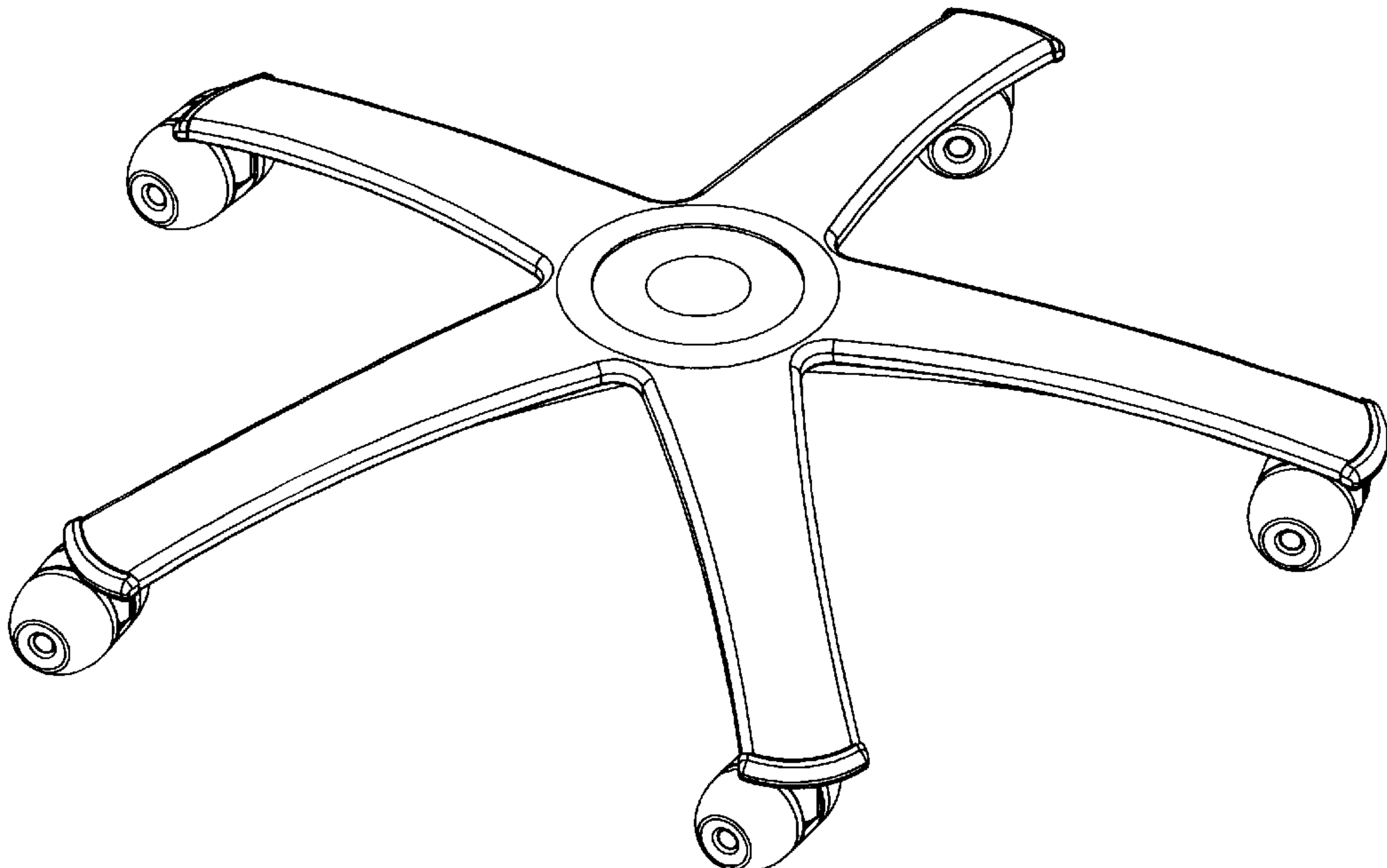
(57) **CLAIM**

The ornamental design for a castored base for a chair, as shown and described.

**DESCRIPTION**

FIG. 1 is a perspective view of a castored base for a chair; FIG. 2 is an elevated left side view of the castored base shown in FIG. 1; FIG. 3 is an elevated right side view of the castored base shown in FIG. 1; FIG. 4 is an elevated front view of the castored base shown in FIG. 1; FIG. 5 is an elevated back view of the castored base shown in FIG. 1; FIG. 6 is a top plan view of the castored base shown in FIG. 1; and, FIG. 7 is a bottom plan view of the castored base shown in FIG. 1.

**1 Claim, 4 Drawing Sheets**



# US D448,219 S

Page 2

## U.S. PATENT DOCUMENTS

D. 345,260	*	3/1994	Narita .....	D6/366	5,100,201	3/1992	Becker, III et al. .
D. 405,283	*	2/1999	James .....	D6/366	5,102,196	4/1992	Kaneda et al. .
D. 405,618	*	2/1999	Reutepohler et al. ....	D6/366	5,171,209	12/1992	Gamba .
D. 417,100	*	11/1999	Lee .....	D6/498	5,251,958	10/1993	Roericht et al. .
2,612,211		9/1952	Gielow et al. .		5,308,145	5/1994	Koepke et al. .
2,760,556		8/1956	Henrikson et al. .		5,314,237	5/1994	Koepke et al. .
2,796,918		6/1957	Luckhardt .		5,354,120	10/1994	Völkle .
3,620,568		11/1971	Morrow .		5,401,077	3/1995	Hosoe .
3,712,666		1/1973	Stoll .		5,486,035	1/1996	Koepke et al. .
4,043,592		8/1977	Fries .		5,547,252	8/1996	Pfenniger .
4,143,910		3/1979	Geffers et al. .		5,567,011	10/1996	Sessini .
4,380,352		4/1983	Diffrient .		5,575,534	11/1996	Yu .
4,390,206		6/1983	Faiks et al. .		5,577,807	11/1996	Hodge et al. .
4,408,797		10/1983	Franck et al. .		5,660,439	8/1997	Unwalla .
4,429,917		2/1984	Diffrient .		5,711,575	1/1998	Hand et al. .
4,479,679		10/1984	Fries et al. .		5,725,277	3/1998	Knoblock .
4,498,702		2/1985	Raftery .		5,765,804	6/1998	Stumpf et al. .
4,509,793		4/1985	Wiesmann et al. .		5,765,914	6/1998	Britain et al. .
4,552,406		11/1985	Ohl .		5,772,282	6/1998	Stumpf et al. .
4,555,136		11/1985	Dranger .		5,791,736	8/1998	Herbert .
4,560,199		12/1985	Sapper .		5,826,940	10/1998	Hodgdon .
4,585,272		4/1986	Ballarini .		5,860,701	1/1999	Jungjohann et al. .
4,685,730		8/1987	Linguanotto .		5,868,467	2/1999	Moll .
4,711,491		12/1987	Ginat .		5,909,923	6/1999	DeKraker .
4,733,910		3/1988	Brennan .		5,964,503	10/1999	Inoue .
4,765,679		8/1988	Lanuzzi et al. .		5,971,481	10/1999	Emmenegger et al. .
4,776,633		10/1988	Knoblock et al. .		5,975,634	11/1999	Knoblock et al. .
4,848,837		7/1989	Völkle .		6,010,189	1/2000	Hybarger et al. .
4,869,552		9/1989	Tolleson et al. .		6,035,901	3/2000	Stumpf et al. .
4,981,326		1/1991	Heidmann .		6,039,397	3/2000	Ginat .
4,988,145		1/1991	Engel .		6,056,360	5/2000	Schneider .
5,009,466		4/1991	Perry .		6,059,368	5/2000	Stumpf et al. .
5,022,709		6/1991	Marchino .		6,120,096	9/2000	Miotto .
5,050,931		9/1991	Knoblock .				

\* cited by examiner

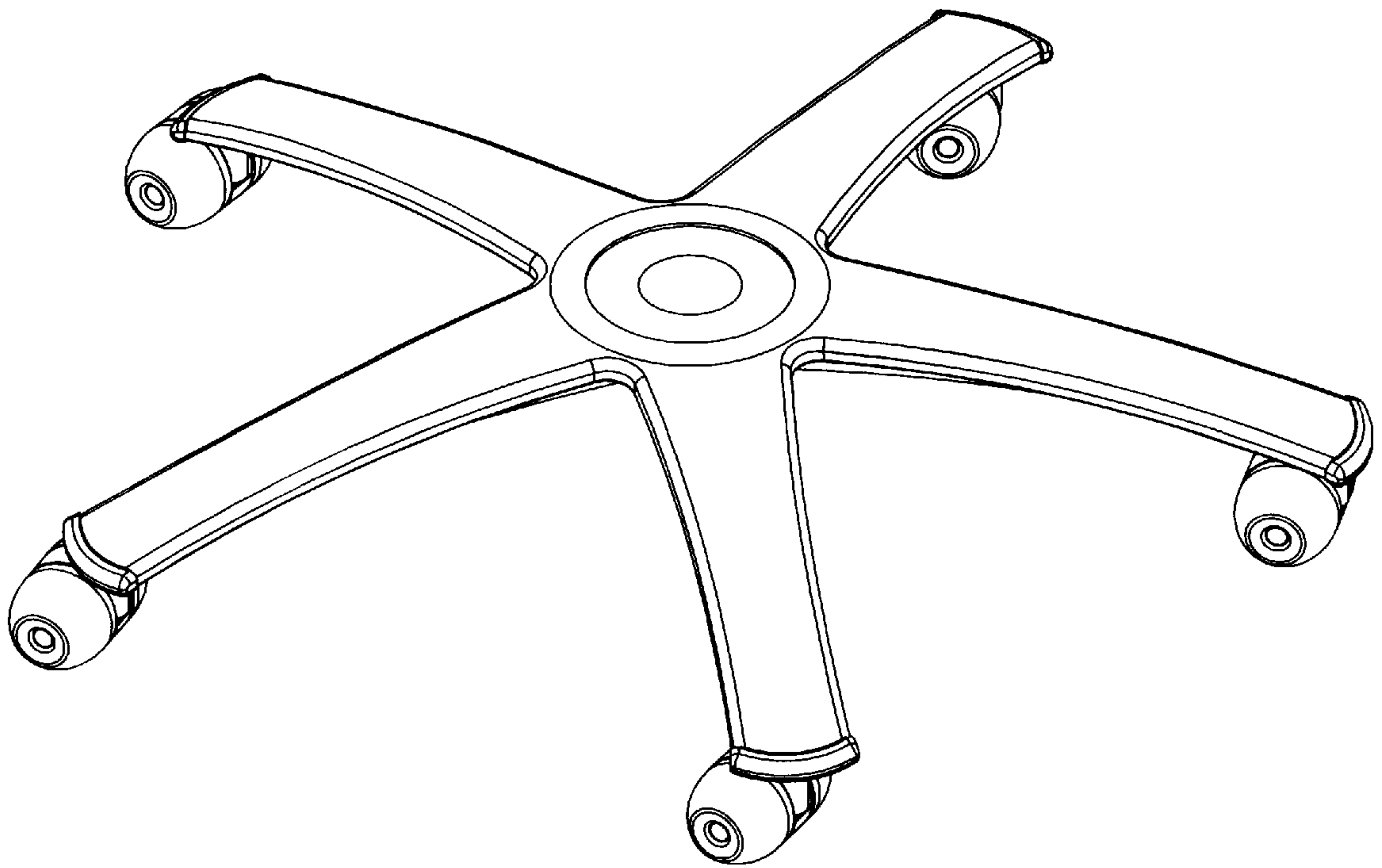


FIG. 1

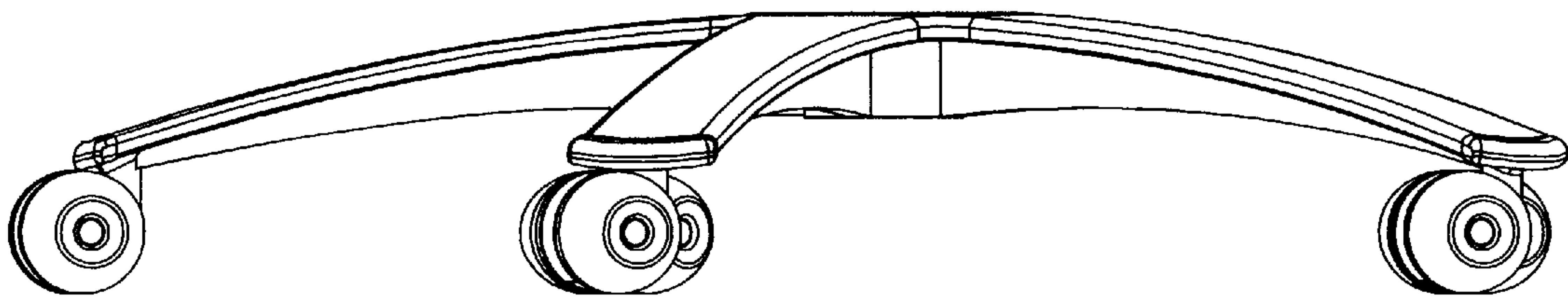


FIG. 2

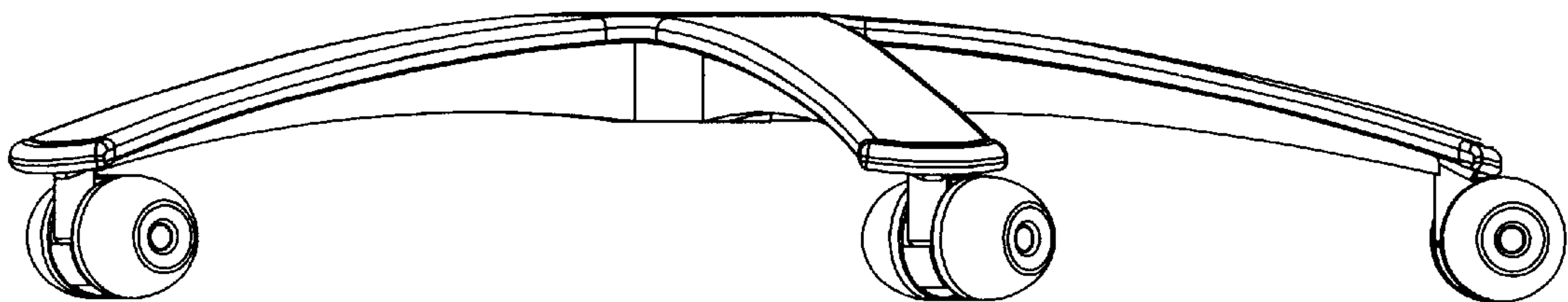


FIG. 3

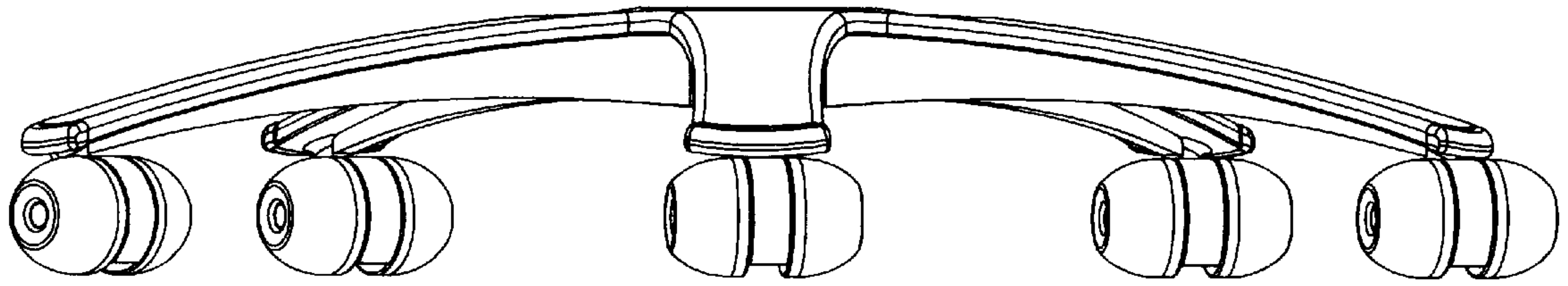


FIG. 4

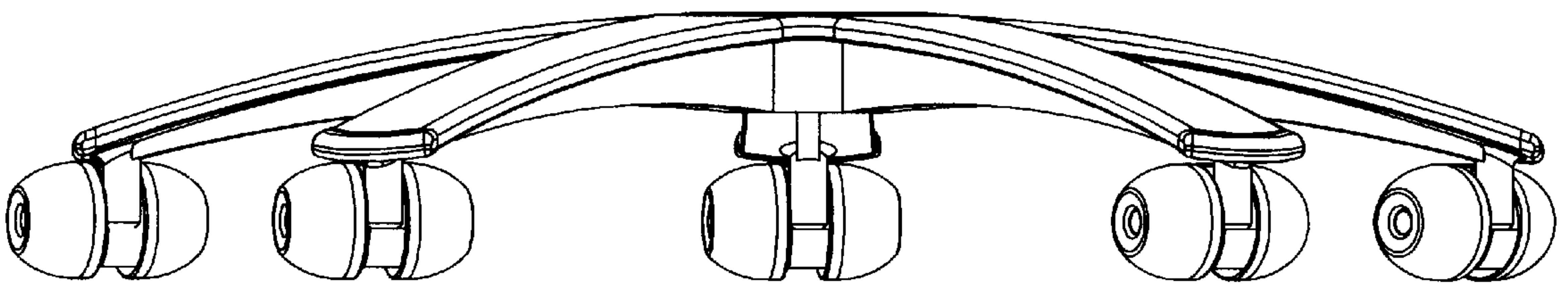


FIG. 5



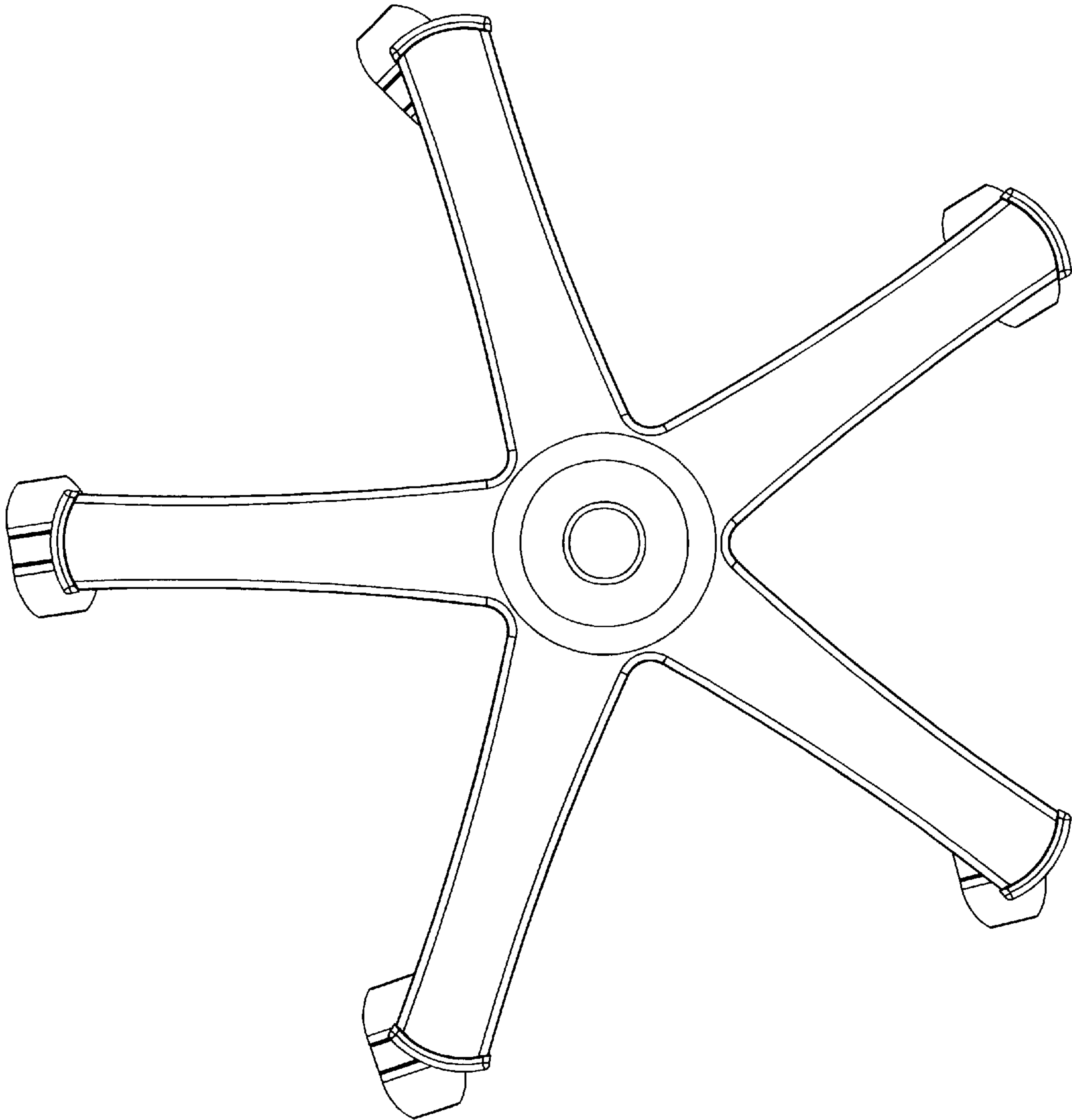


FIG. 6

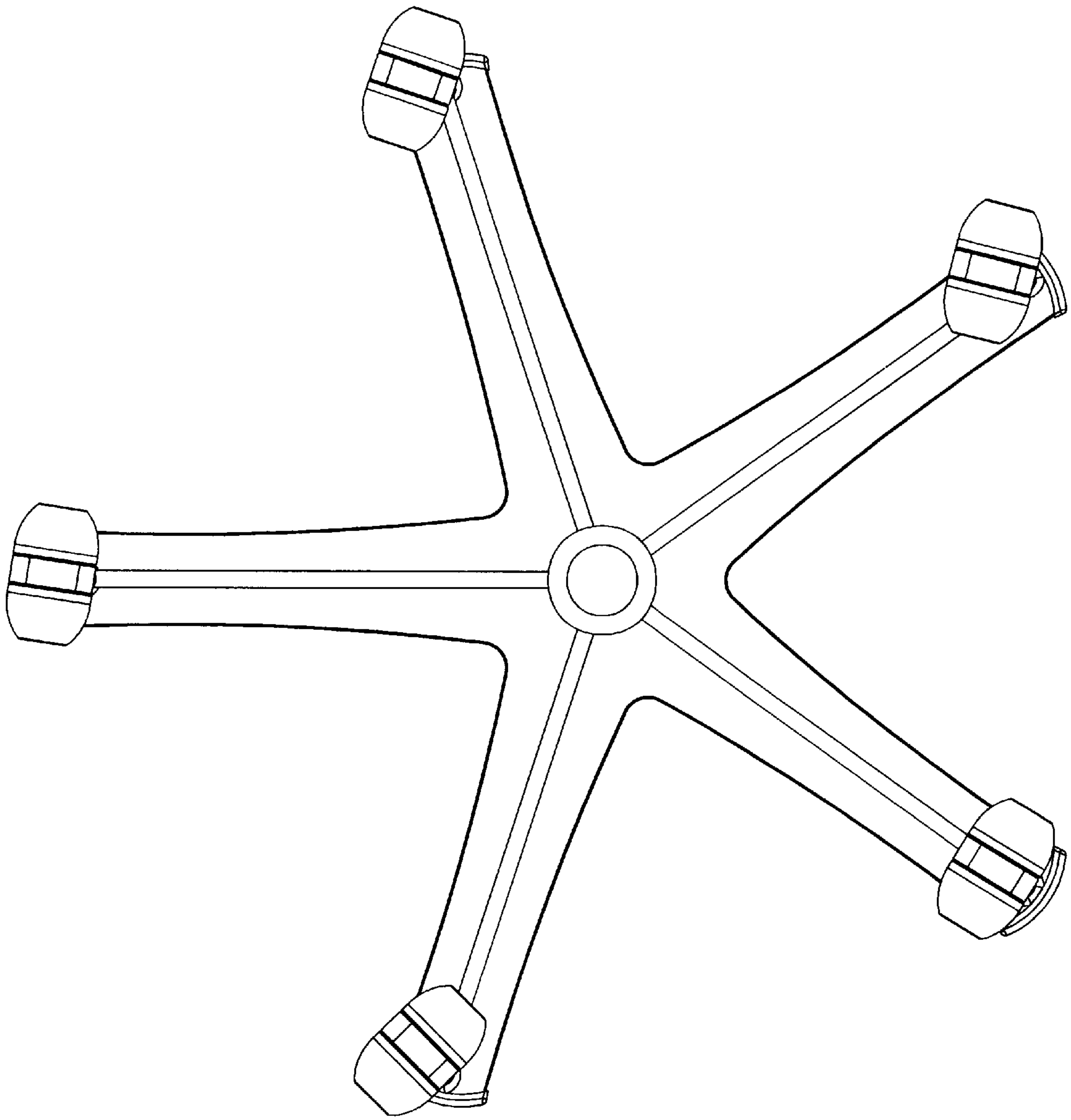


FIG. 7