



US00D448218B1

(12) **United States Design Patent**
Celestina-Krevh

(10) **Patent No.:** **US D448,218 S**

(45) **Date of Patent:** **** Sep. 25, 2001**

(54) **CURVED LEGS FOR A PLAYARD**

5,349,709 * 9/1994 Cheng 5/93.1
5,367,725 * 11/1994 Tsai 5/99.1

(75) Inventor: **Mary Ann Celestina-Krevh**, Euclid,
OH (US)

* cited by examiner

(73) Assignee: **Graco Children's Products Inc.**,
Elverson, PA (US)

Primary Examiner—Janice E. Seeger
(74) *Attorney, Agent, or Firm*—Foley & Lardner

(**) Term: **14 Years**

(57) **CLAIM**

(21) Appl. No.: **29/122,855**

The ornamental design for curved legs for a playard, as shown and described.

(22) Filed: **May 5, 2000**

DESCRIPTION

(51) **LOC (7) Cl.** **06-06**

FIG. 1 is a perspective view of curved legs for a playard showing my new design;

(52) **U.S. Cl.** **D6/495; D6/331; D6/503;**
D6/499

FIG. 2 is a front elevation view thereof;

(58) **Field of Search** D6/382, 385, 388-395,
D6/331; 5/907, 93.1, 93.2, 98.1, 101, 99.1

FIG. 3 is a back elevation view thereof;

FIG. 4 is a right-side elevation view thereof;

FIG. 5 is a left-side elevation view thereof;

FIG. 6 is a top plan view thereof; and,

FIG. 7 is a bottom plan view thereof.

(56) **References Cited**

The features shown in broken lines are for illustrative purposes only and do not form part of the claimed design.

U.S. PATENT DOCUMENTS

D. 397,882 * 9/1998 Wu D6/391
4,376,318 * 3/1983 Cirillo 5/99.1

1 Claim, 7 Drawing Sheets

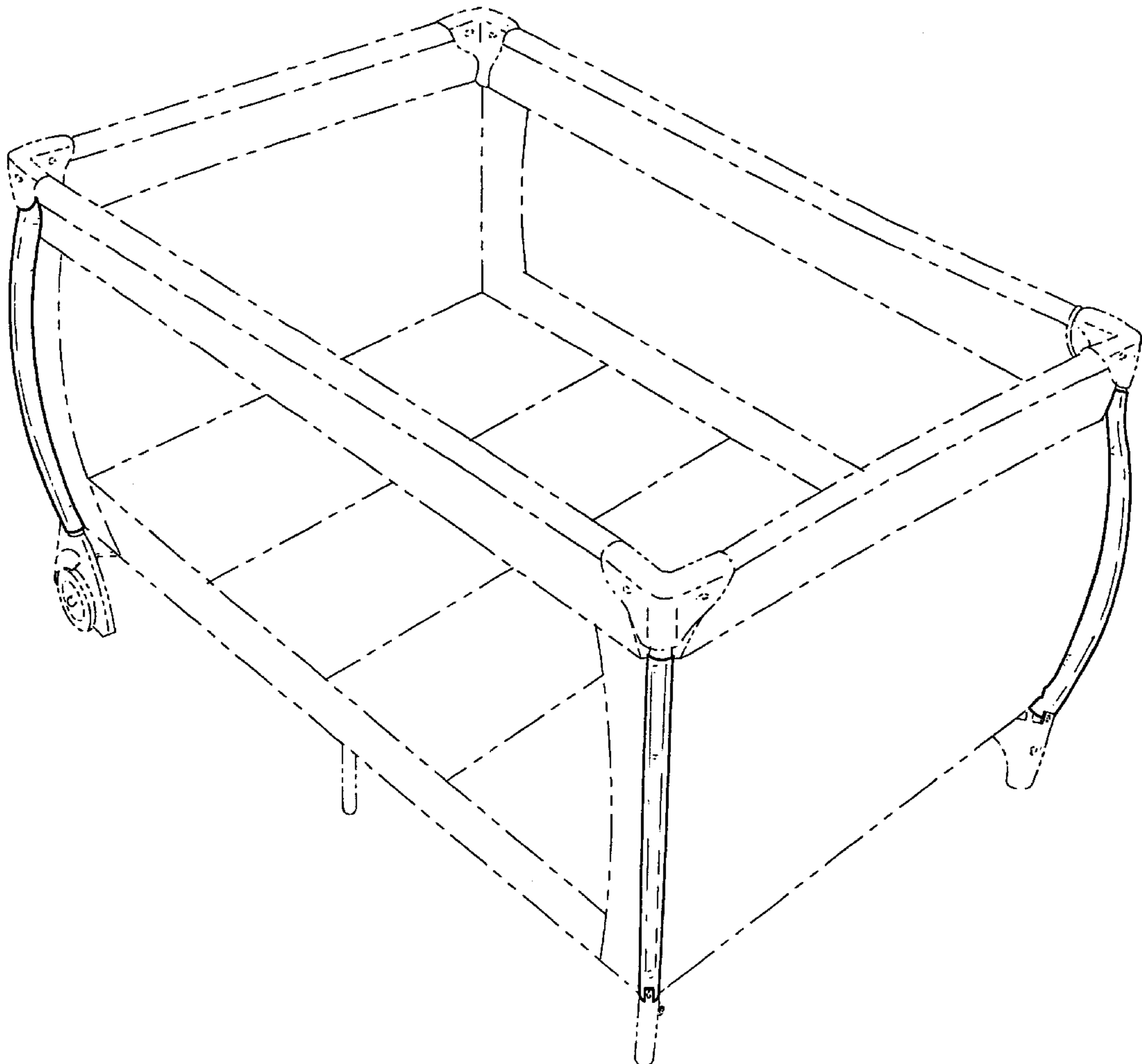
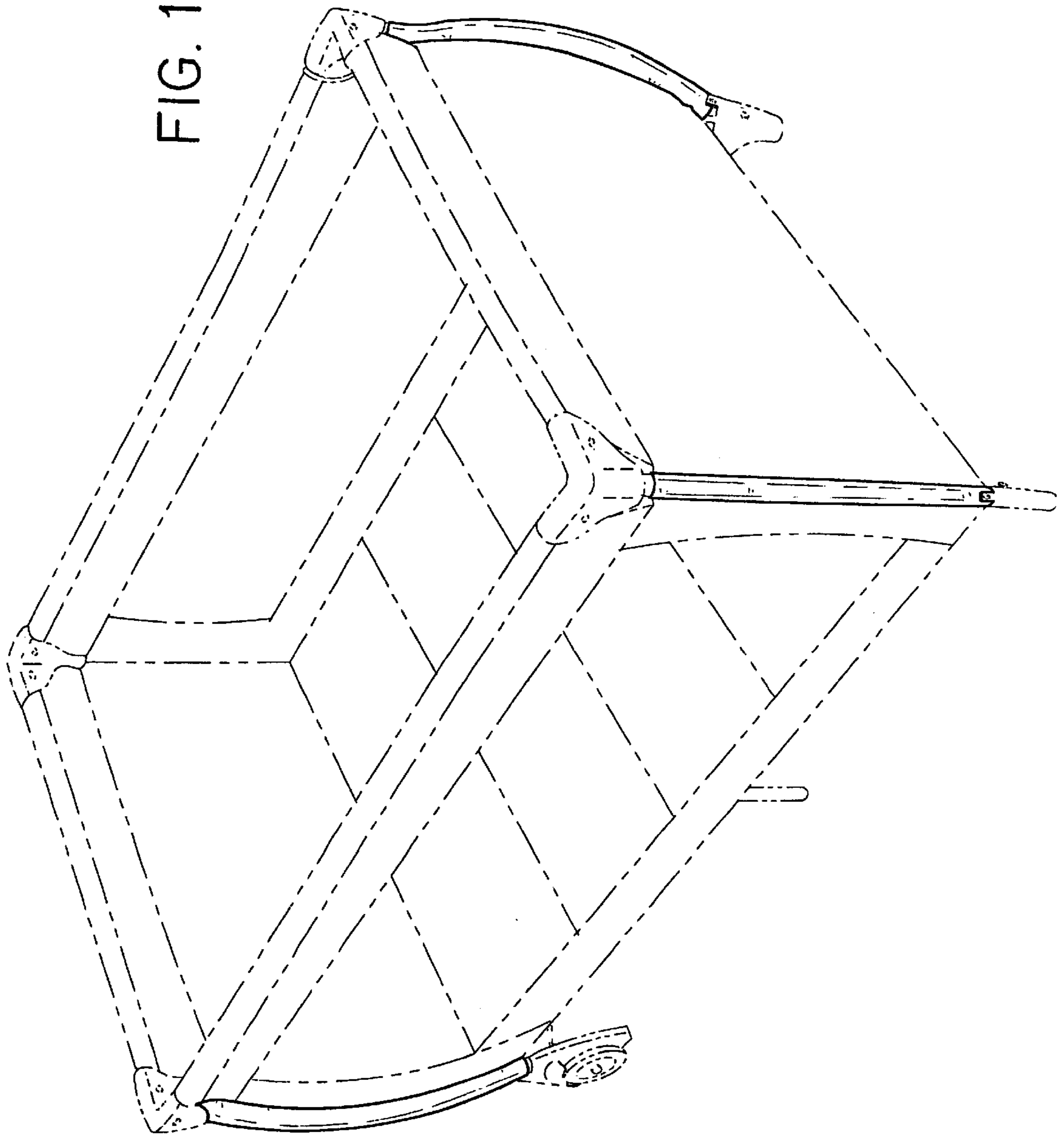


FIG. 1



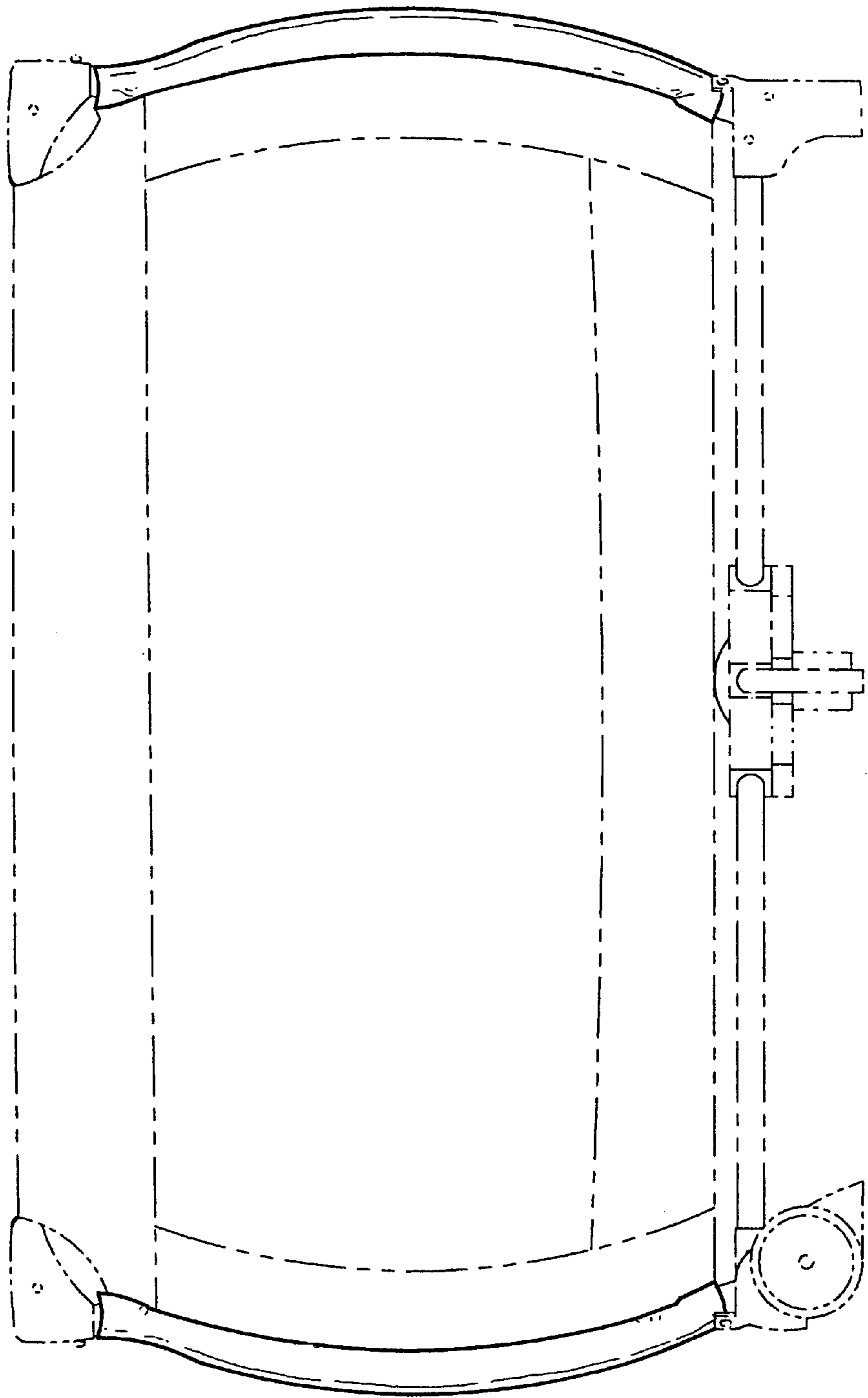


FIG. 2

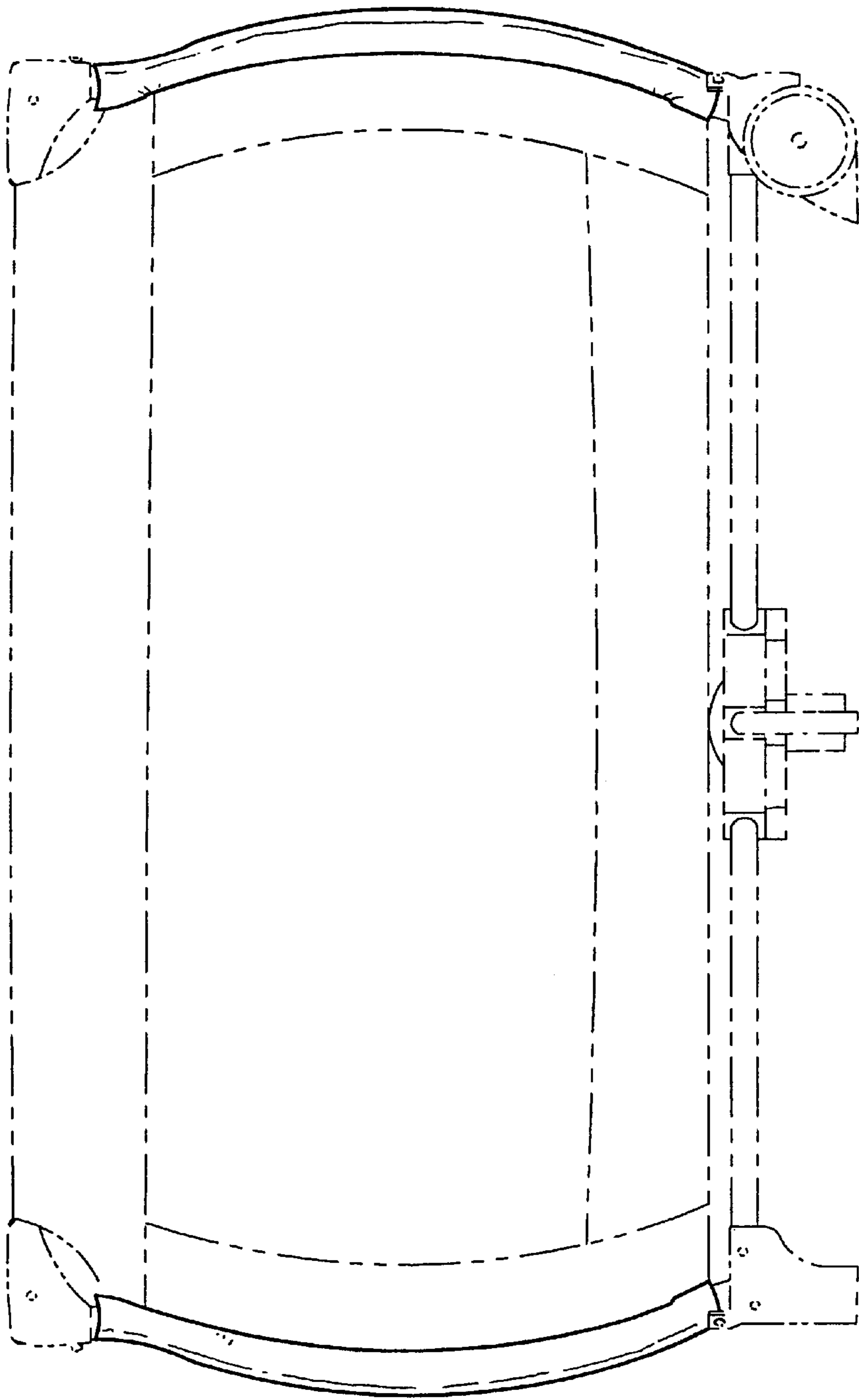


FIG. 3

FIG. 4

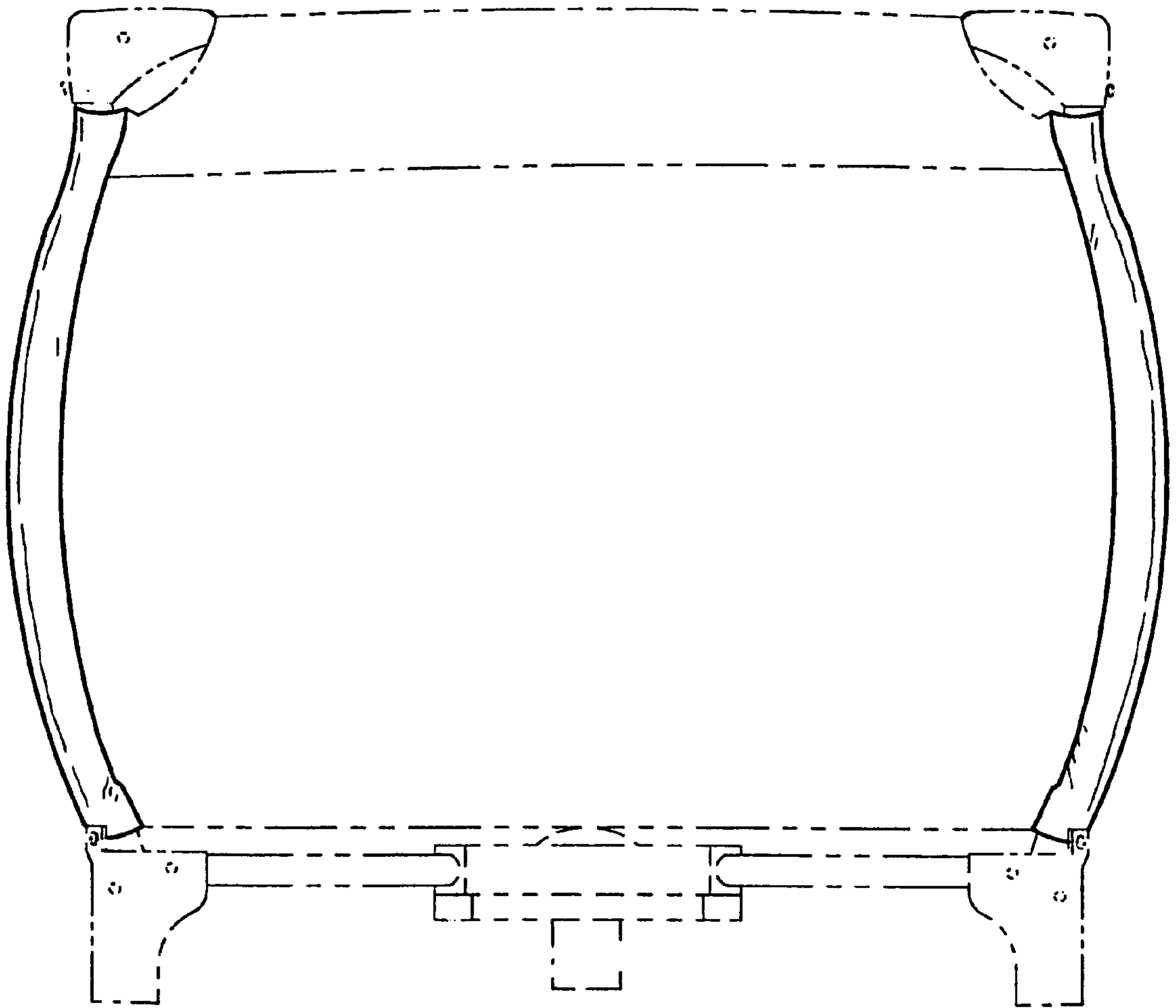
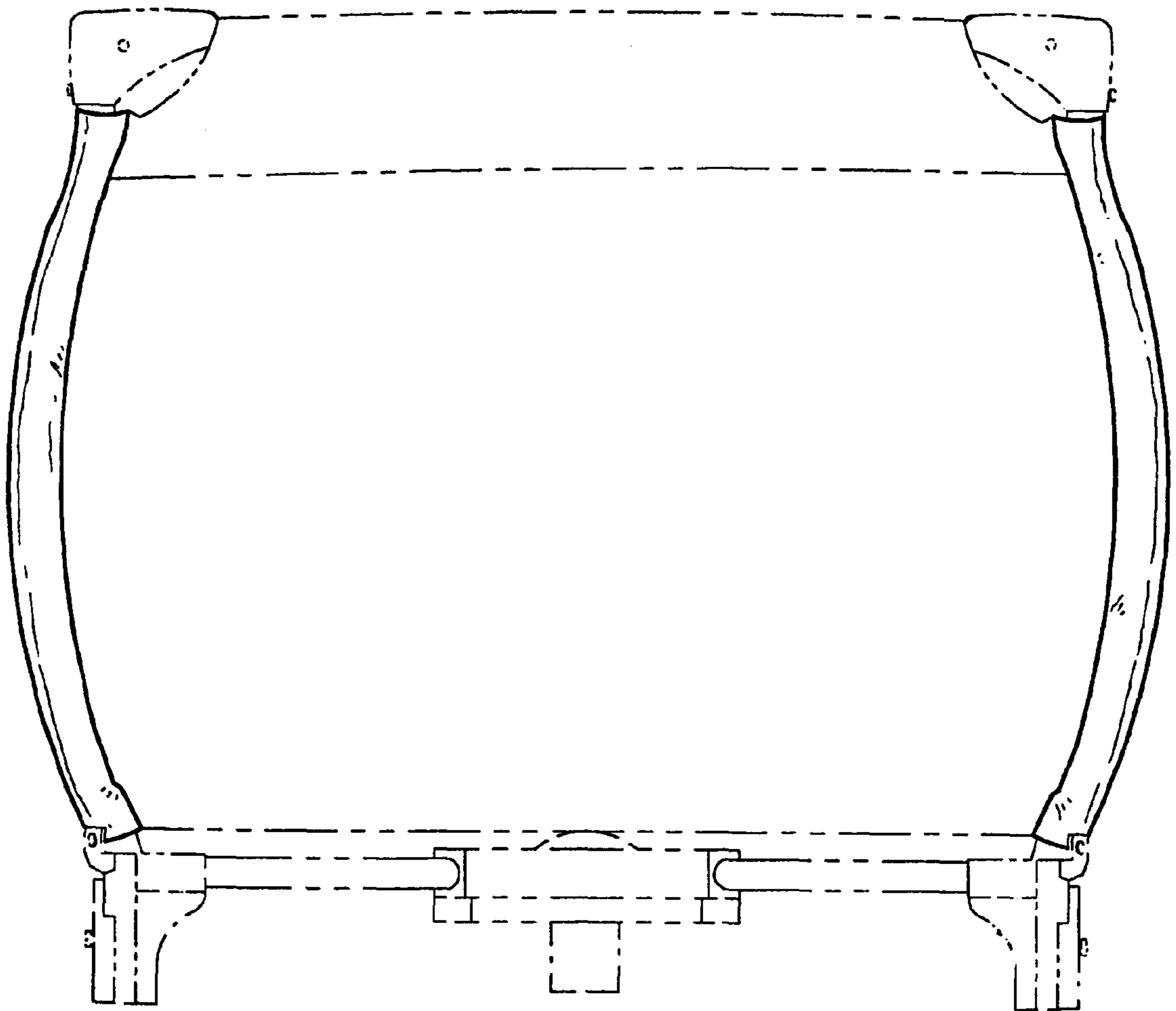


FIG. 5



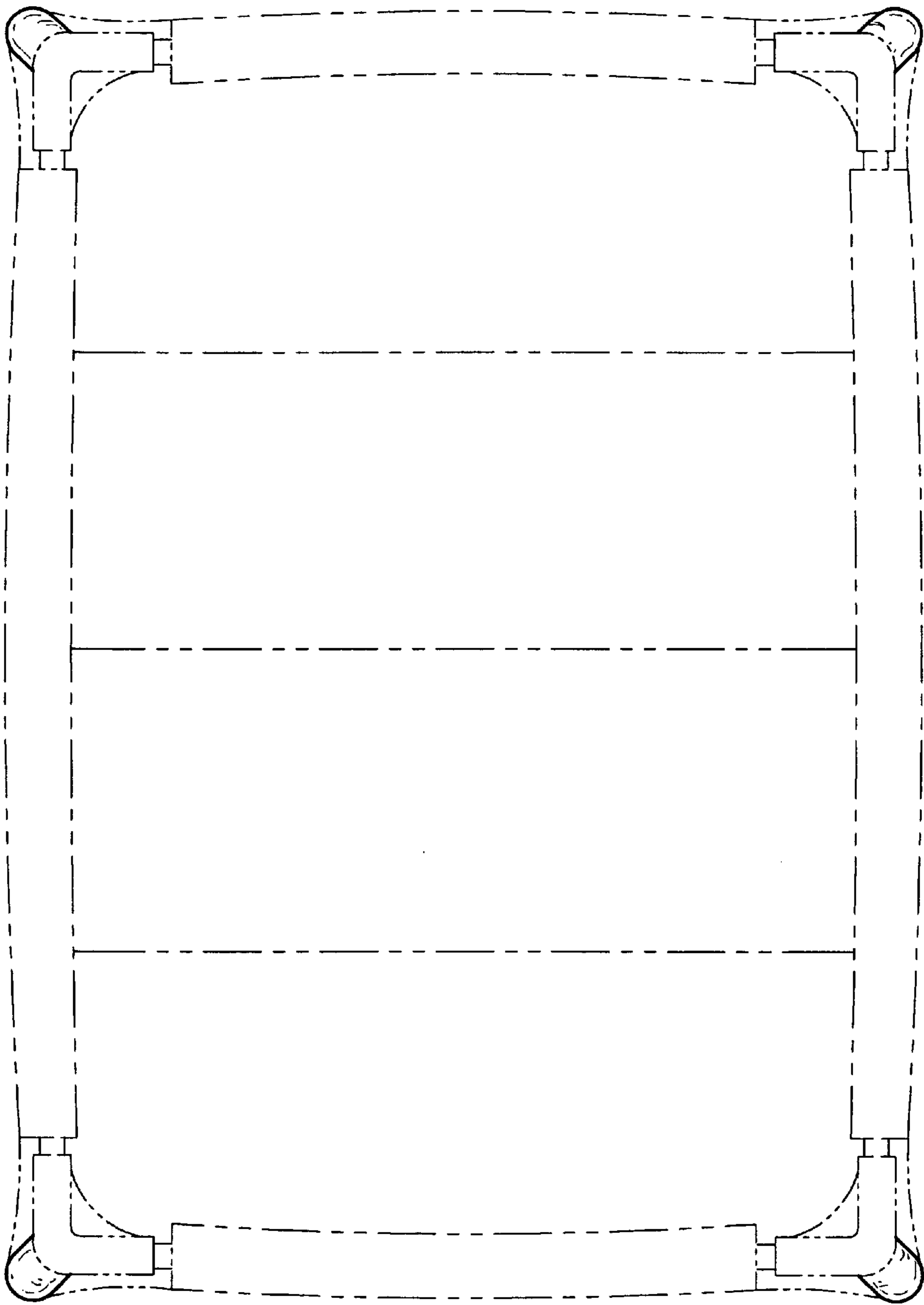


FIG. 6

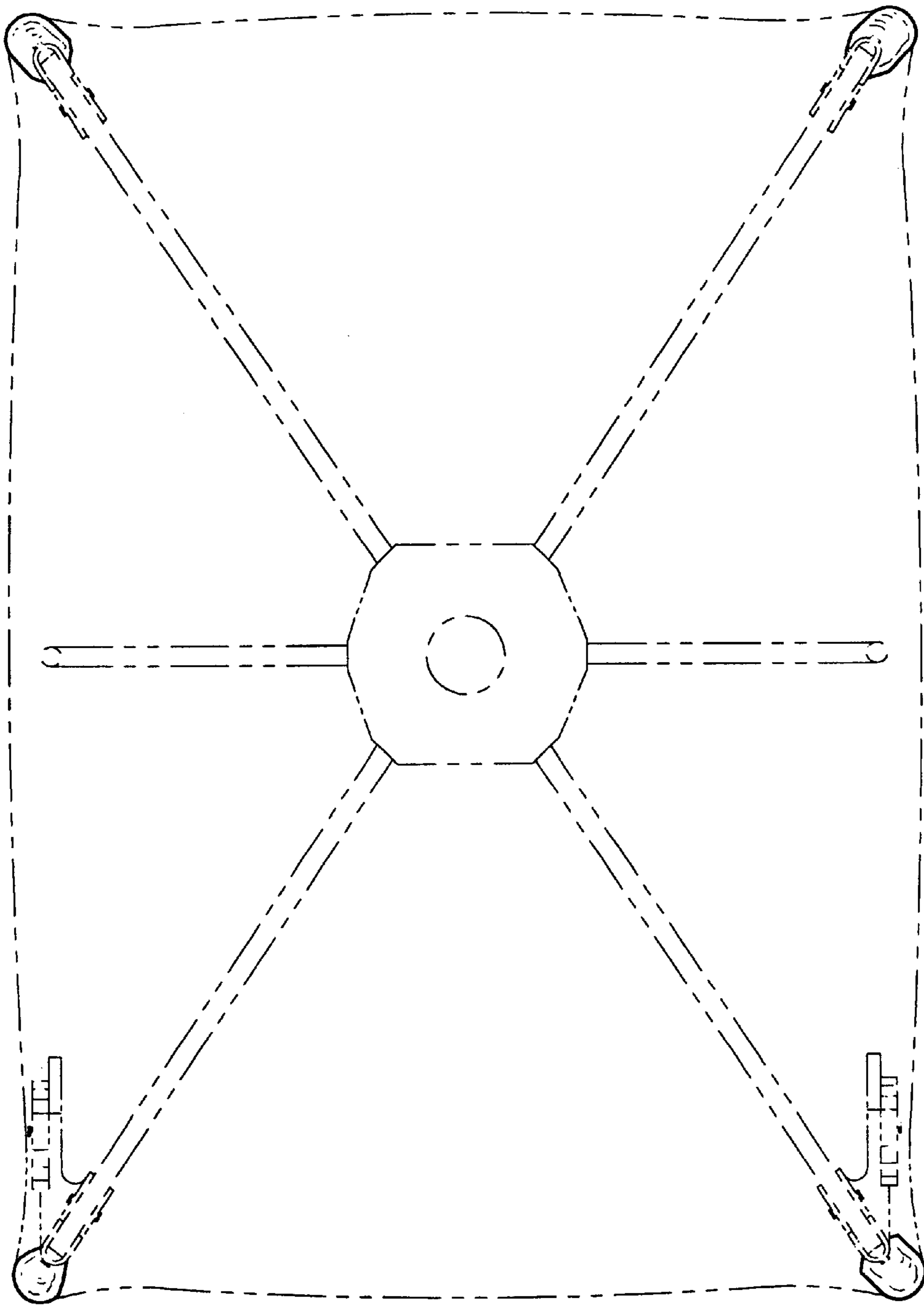


FIG. 7