



US00D448217B1

(12) **United States Design Patent**
Ullman

(10) **Patent No.:** **US D448,217 S**

(45) **Date of Patent:** **** Sep. 25, 2001**

(54) **DISPLAY TABLE FOR GOLF BALLS**

D. 391,422 * 3/1998 Lewis D6/484

(76) Inventor: **Thomas L. Ullman**, 203 Edgedale Dr.,
High Point, NC (US) 27262

* cited by examiner

(**) Term: **14 Years**

Primary Examiner—Janice E. Seeger

(21) Appl. No.: **29/128,538**

(57) **CLAIM**

(22) Filed: **Aug. 25, 2000**

The ornamental design for a display table for golf balls, as shown and described.

(51) **LOC (7) Cl.** **06-03**

DESCRIPTION

(52) **U.S. Cl.** **D6/484**

FIG. 1 is a front, top right side perspective view of a display table for golf balls, the left side and rear being a mirror image thereof, and the bottom being plain and unornamental.

(58) **Field of Search** D6/480-489, 495-499,
D6/450, 451, 466; 108/153.1, 156, 157.1,
157.17, 161; 248/188, 188.1

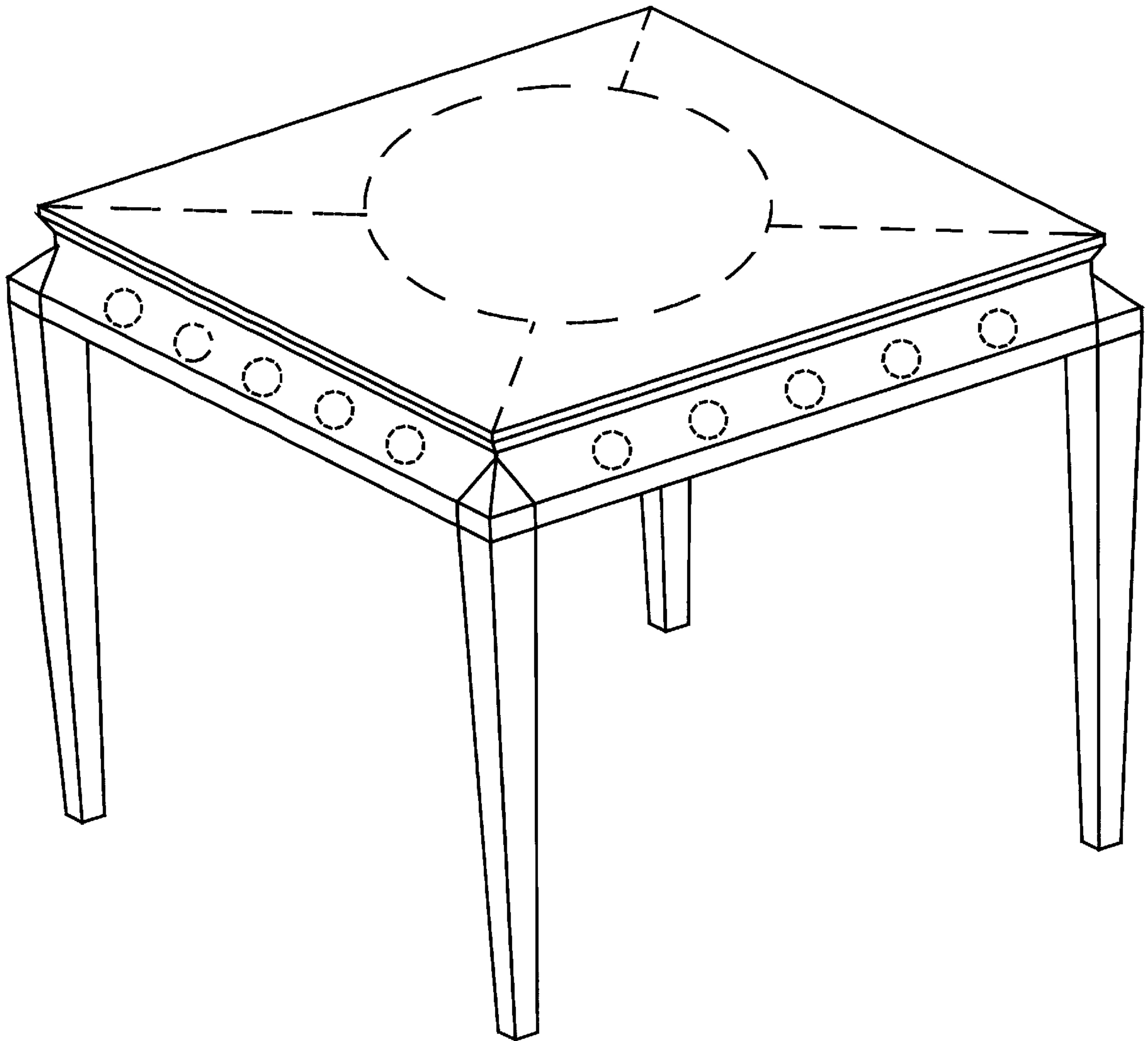
(56) **References Cited**

The broken lines of the drawings do not form a part of the claimed design and are only for environmental purposes.

U.S. PATENT DOCUMENTS

D. 346,917 * 5/1994 Weltman D6/451

1 Claim, 1 Drawing Sheet



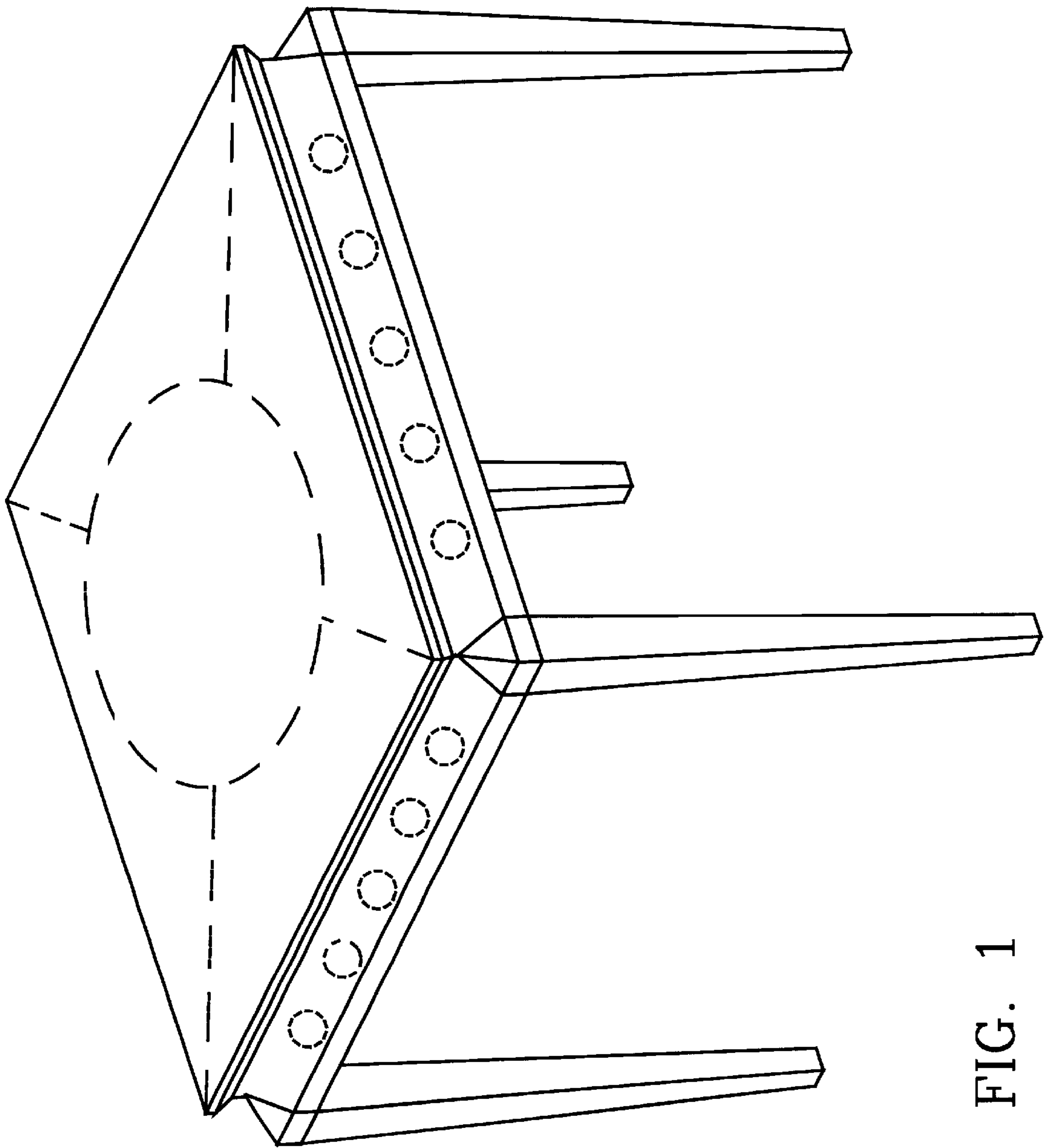


FIG. 1