



US00D448212B1

(12) **United States Design Patent**
Petersen

(10) **Patent No.:** **US D448,212 S**

(45) **Date of Patent:** **** Sep. 25, 2001**

(54) **SURFACE CONFIGURATION OF A TABLE**

(75) Inventor: **Joern Petersen**, Nufringen (DE)

(73) Assignee: **DaimlerChrysler AG**, Stuttgart (DE)

(**) Term: **14 Years**

(21) Appl. No.: **29/127,977**

(22) Filed: **Aug. 16, 2000**

(30) **Foreign Application Priority Data**

Feb. 16, 2000 (DE) 4 00 01 471

(51) **LOC (7) Cl.** **06-03**

(52) **U.S. Cl.** **D6/480**

(58) **Field of Search** D6/480-489, 495-499;
108/153.1, 156, 157.1, 157.17, 161; 248/188,
188.1, 188.8, 440.1

(56) **References Cited**

U.S. PATENT DOCUMENTS

- D. 334,856 * 4/1993 Sielaff D6/474
- D. 380,630 * 7/1997 Ahrensburg D6/486
- D. 390,381 * 2/1998 Dormon et al. D6/480
- D. 400,376 * 11/1998 Hallenheim D6/486
- D. 405,631 * 2/1999 Burdick et al. D6/487

* cited by examiner

Primary Examiner—Janice E. Seeger

(74) *Attorney, Agent, or Firm*—Crowell & Moring LLP

(57) **CLAIM**

The ornamental design for a surface configuration of a table, as shown and described.

DESCRIPTION

This application is related to co-pending applications Ser. Nos. 29/127,976 and 29/127,975 of the inventor, filed on even date herewith and entitled “Surface Configuration of Legs for a Table” and “Surface Configuration of a Table Leg”.

FIG. 1 is a front perspective view of a surface configuration of a table according to my novel design;

FIG. 2 is a rear perspective view of the surface configuration of a table according to my novel design;

FIG. 3 is a front view of the surface configuration of a table according to my novel design;

FIG. 4 is a right side view of the surface configuration of a table according to my novel design;

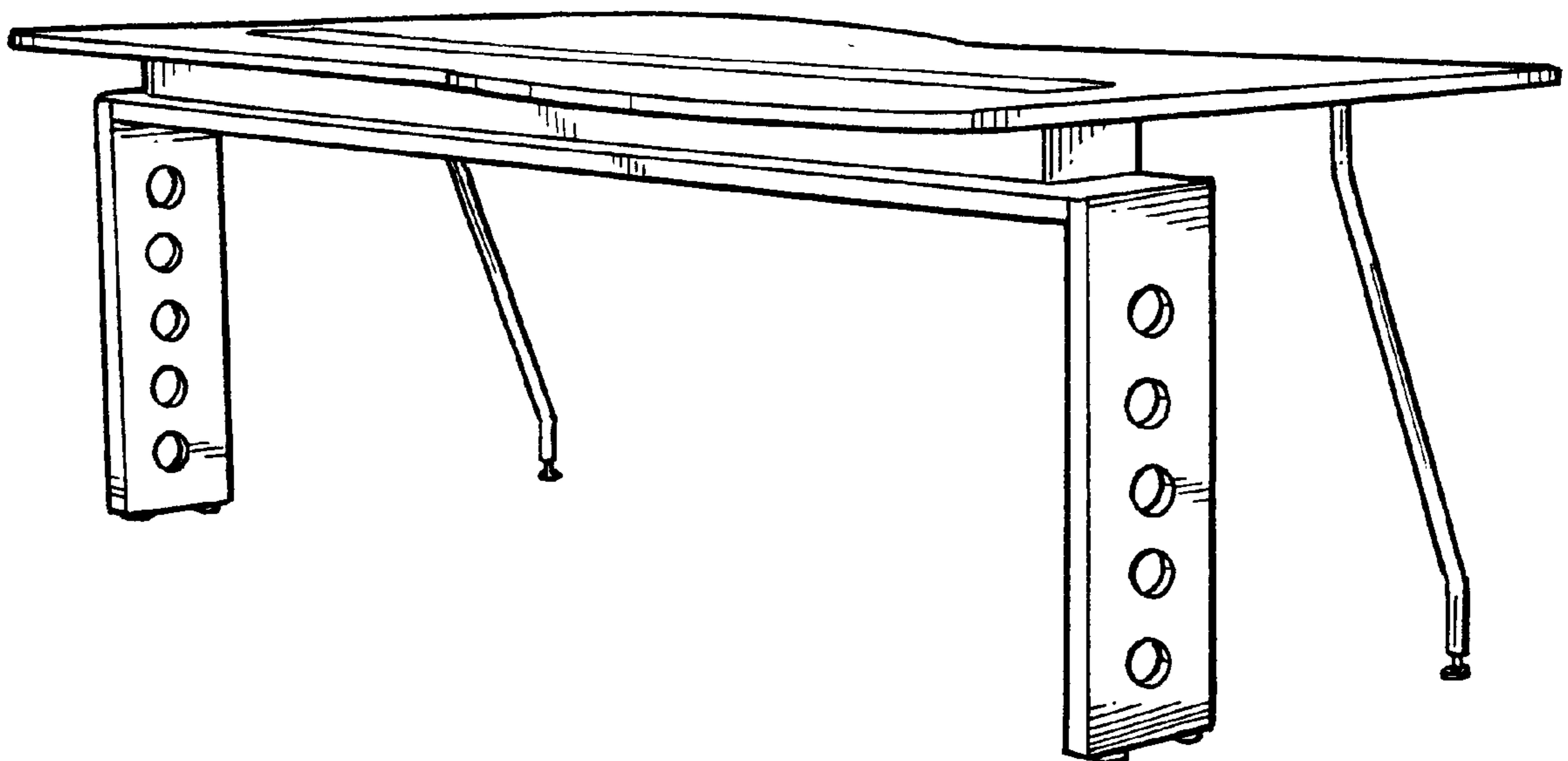
FIG. 5 is a left side view of the surface configuration of a table according to my novel design;

FIG. 6 is a rear view of the surface configuration of a table according to my novel design;

FIG. 7 is a top view of the surface configuration of a table according to my novel design; and,

FIG. 8 is a bottom view of the surface configuration of a table according to my novel design.

1 Claim, 4 Drawing Sheets



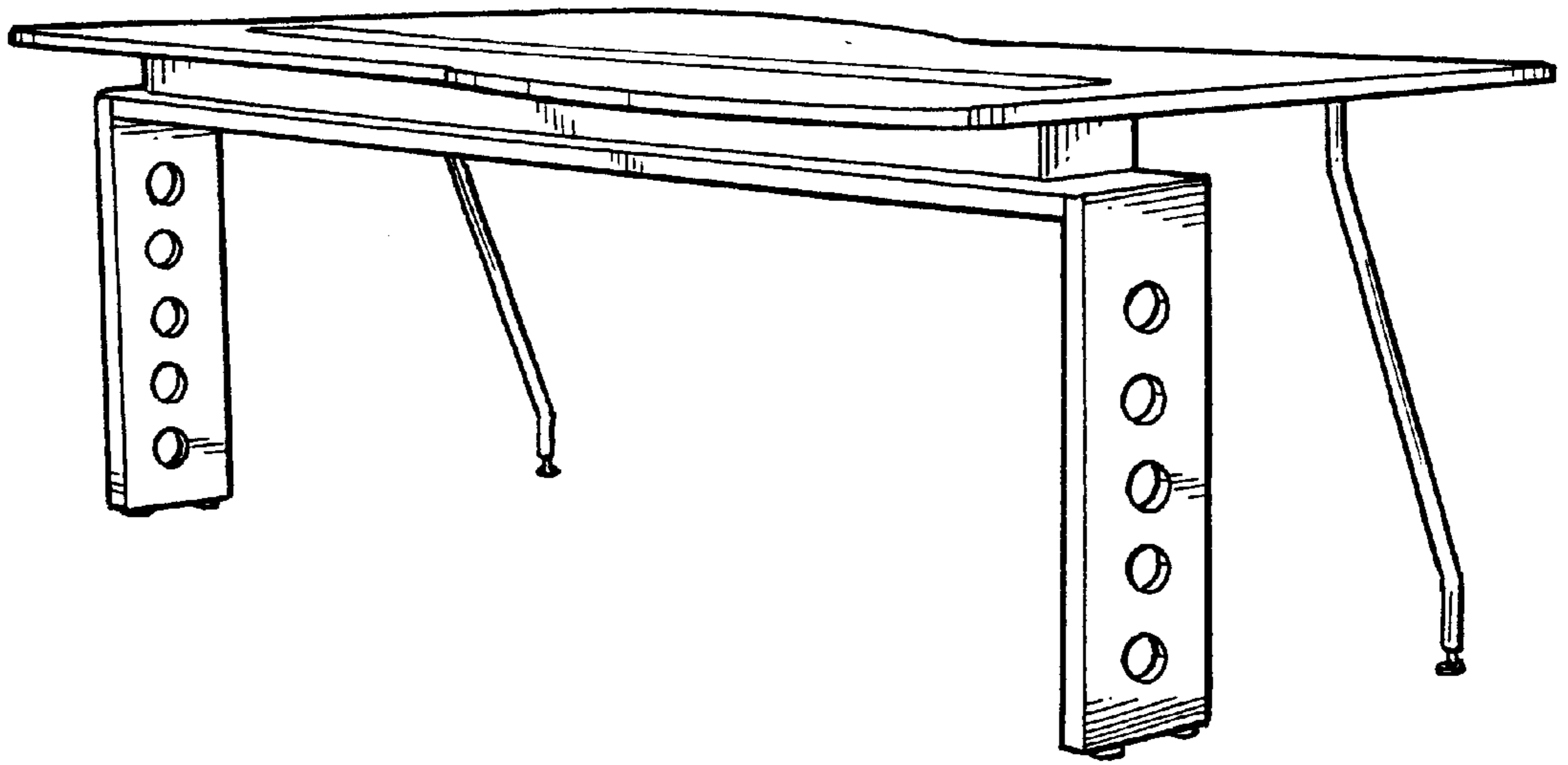


FIG. 1

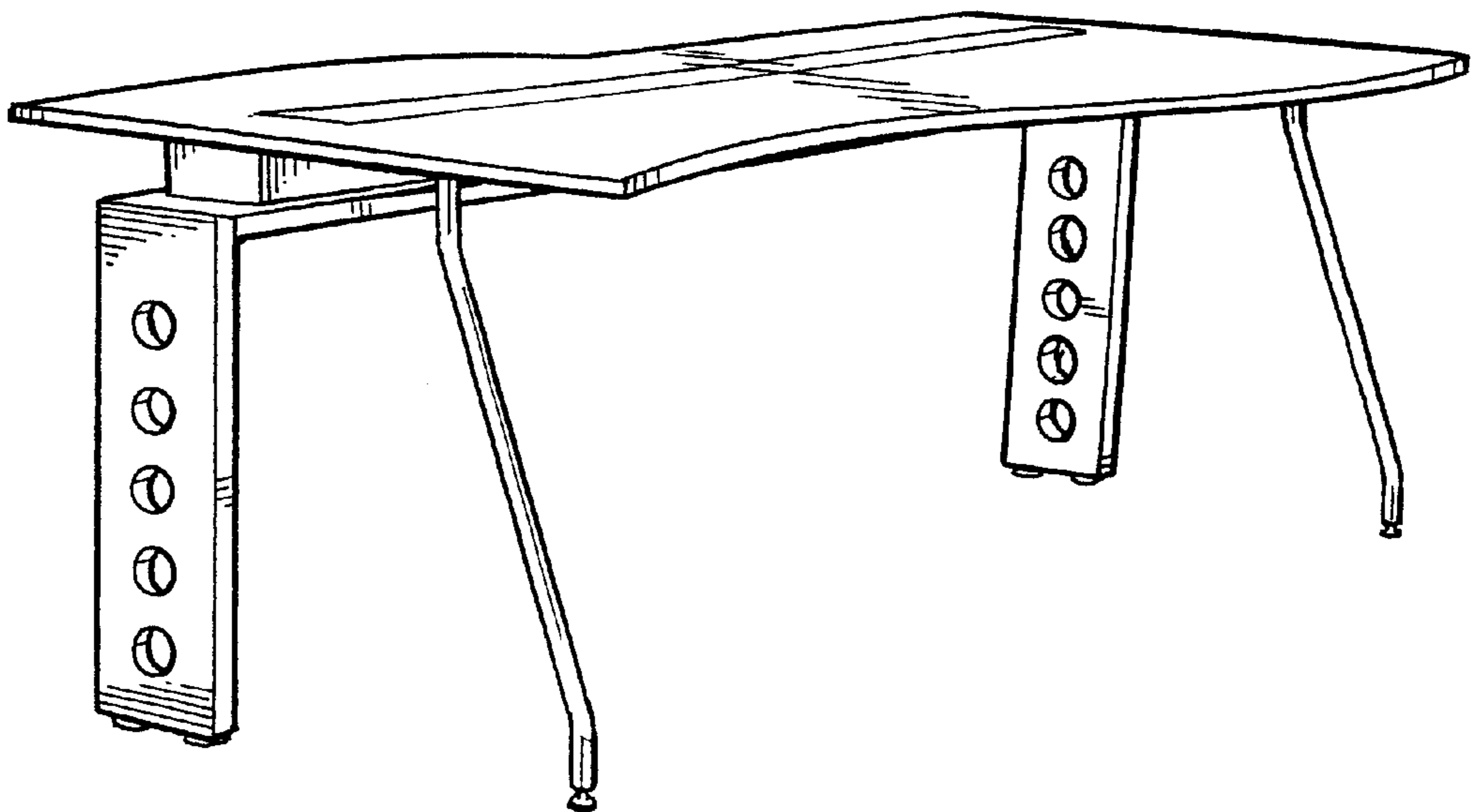
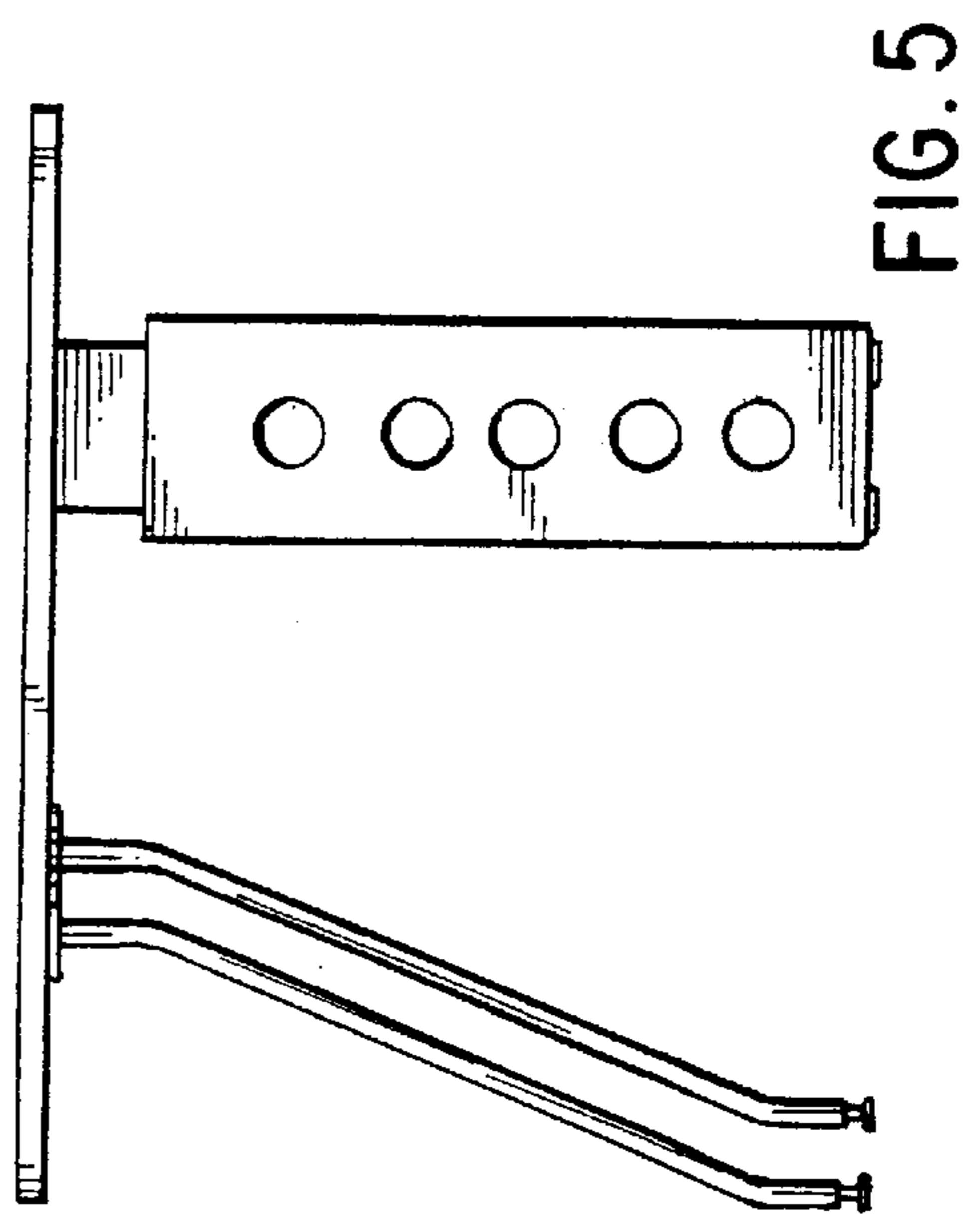
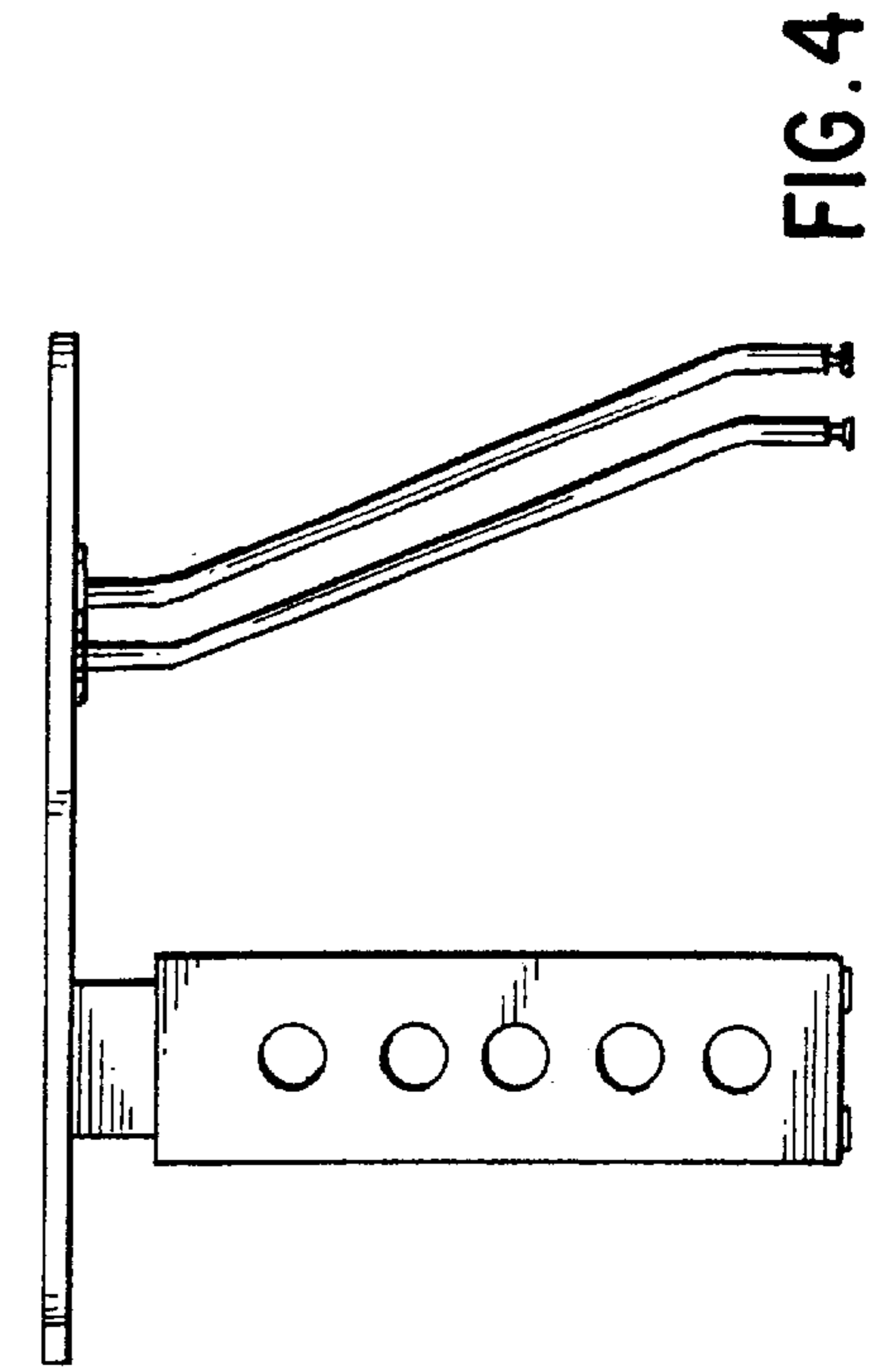
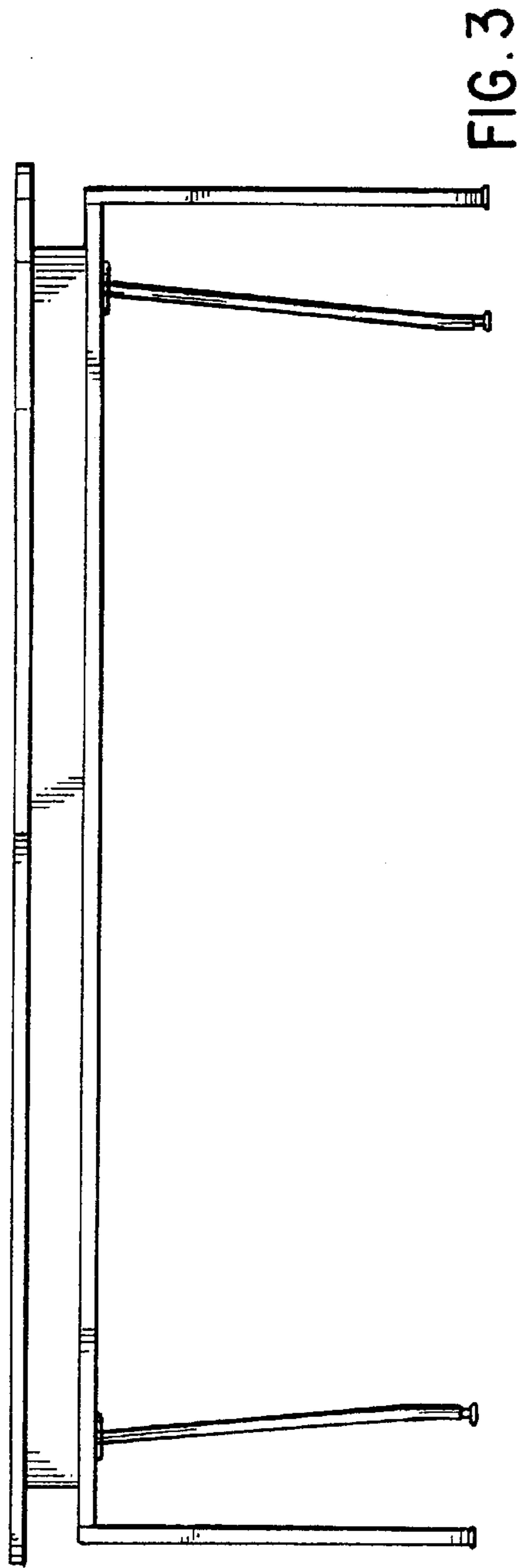
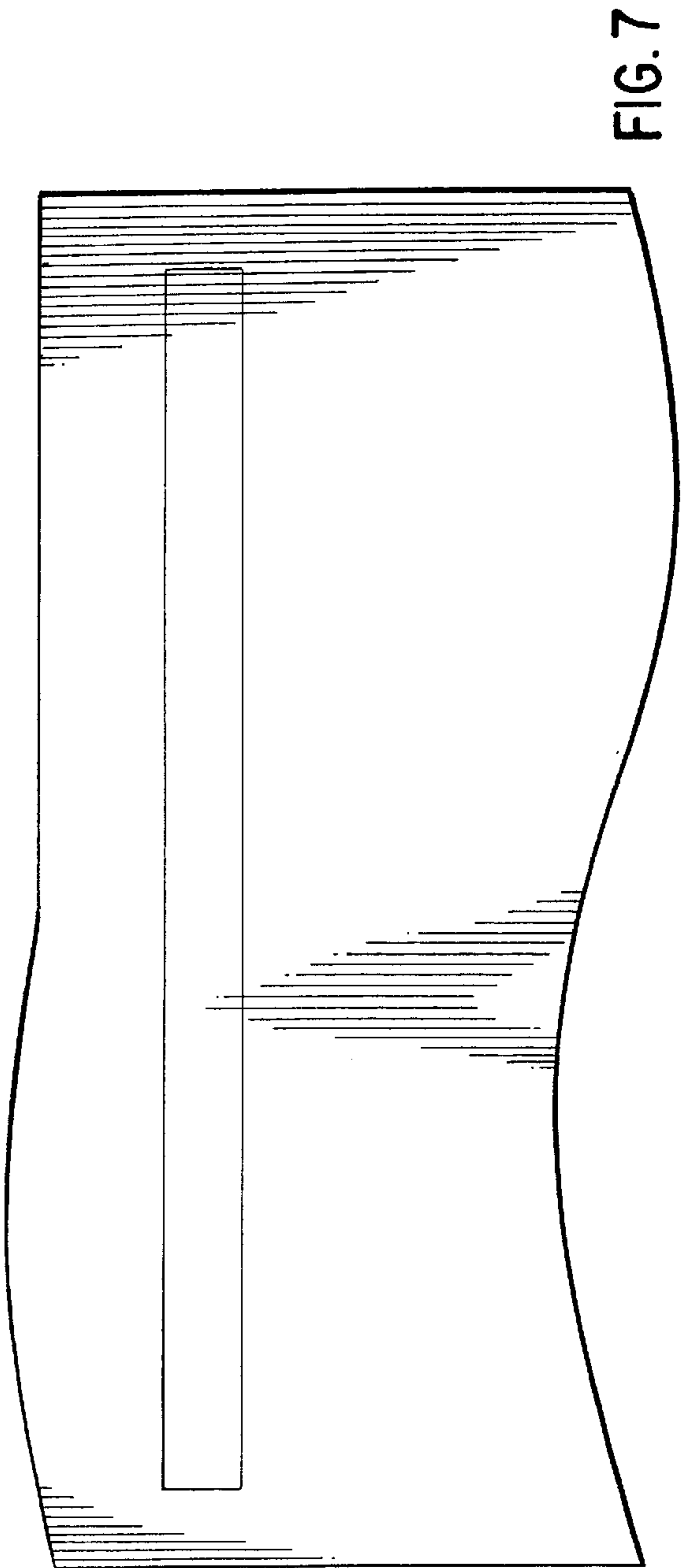
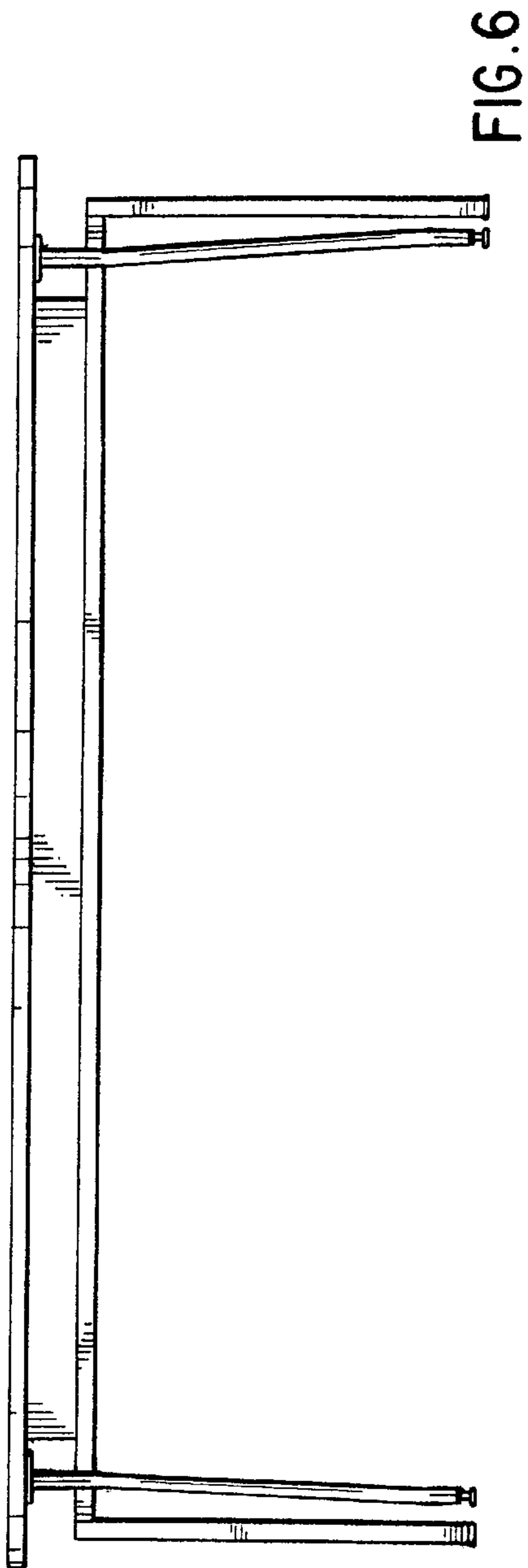


FIG. 2





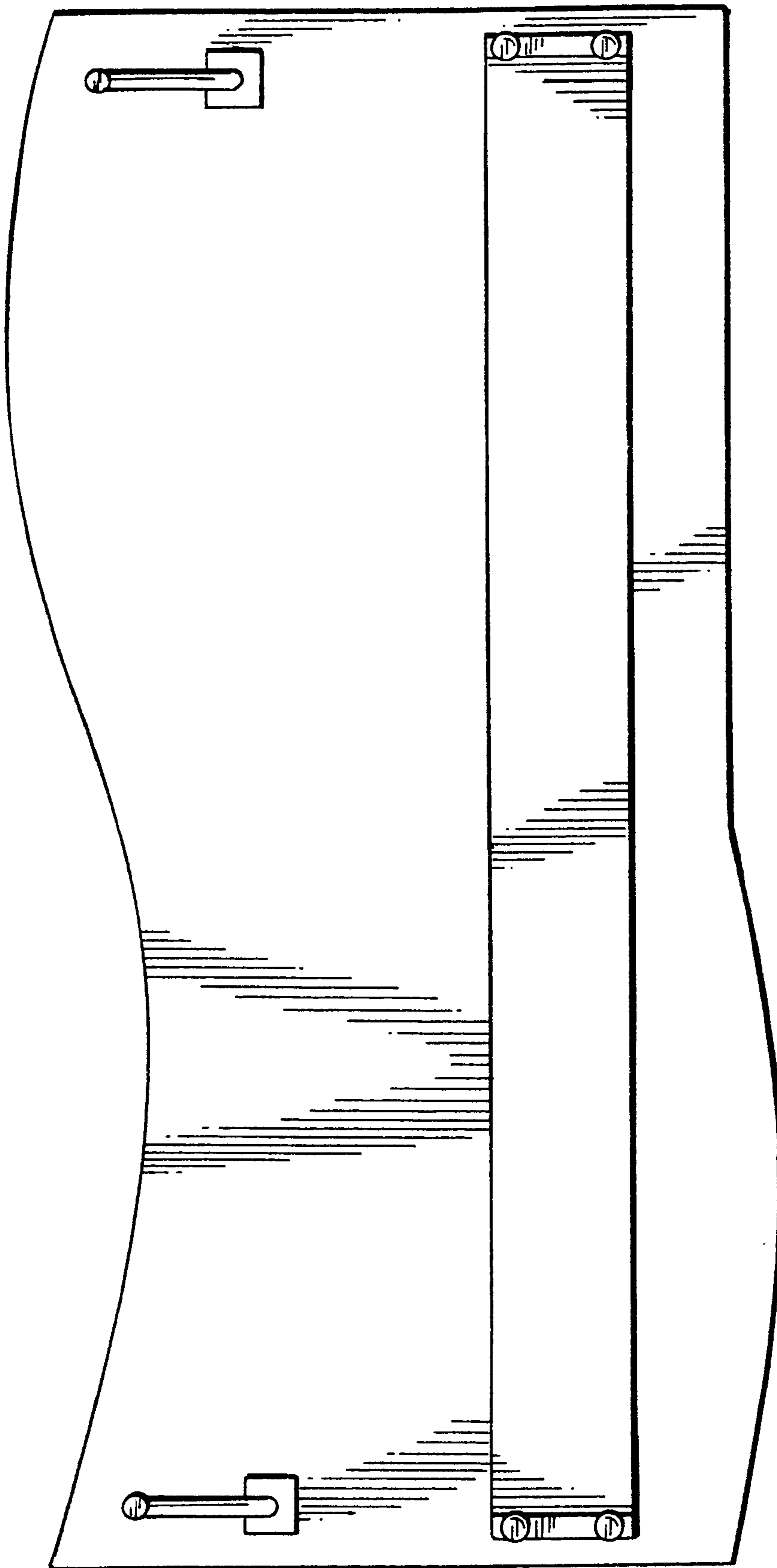


FIG. 8