



US00D448210B1

(12) **United States Design Patent**
Cain

(10) **Patent No.:** **US D448,210 S**

(45) **Date of Patent:** **** Sep. 25, 2001**

(54) **TABLE**

(75) **Inventor:** **Charles C. Cain**, High Point, NC (US)

(73) **Assignee:** **Thomasville Furniture Industries, Inc.**, Thomasville, NC (US)

(**) **Term:** **14 Years**

(21) **Appl. No.:** **29/121,175**

(22) **Filed:** **Mar. 31, 2000**

(51) **LOC (7) Cl.** **06-03**

(52) **U.S. Cl.** **D6/480**

(58) **Field of Search** D6/480-489, 495,
D6/477, 436; 108/153.1, 155, 156, 157.1;
248/188, 188.1, 188.8

(56) **References Cited**

U.S. PATENT DOCUMENTS

D. 255,076 * 5/1980 Adkinson D6/484

OTHER PUBLICATIONS

Lane Occasional Tables and Upholstery Catalog, p. 60,
1438-05 end table at top and center.*

Heritage Sketchbook, c1981, p. 18, end table at lower left.*

Heritage Dynasty, c1982, p. 23, table at top.*

Janette A. Thomas, *Images of The Gamble House*, pp. 37,
38, 1989.

Square Cocktail Table with Glass Top, Stickley Mission Oak
and Mission Cherry Catalog Supplement, L. & J.G. Stickley,
Inc., p. 16.

* cited by examiner

Primary Examiner—Janice E. Seeger

(74) *Attorney, Agent, or Firm*—Rhodes & Mason, P.L.L.C.

(57) **CLAIM**

The ornamental design for a table, as shown and described.

DESCRIPTION

FIG. 1 is a left front perspective view of a table showing my
new design;

FIG. 2 is a front elevational view, the rear view being a
mirror image thereof;

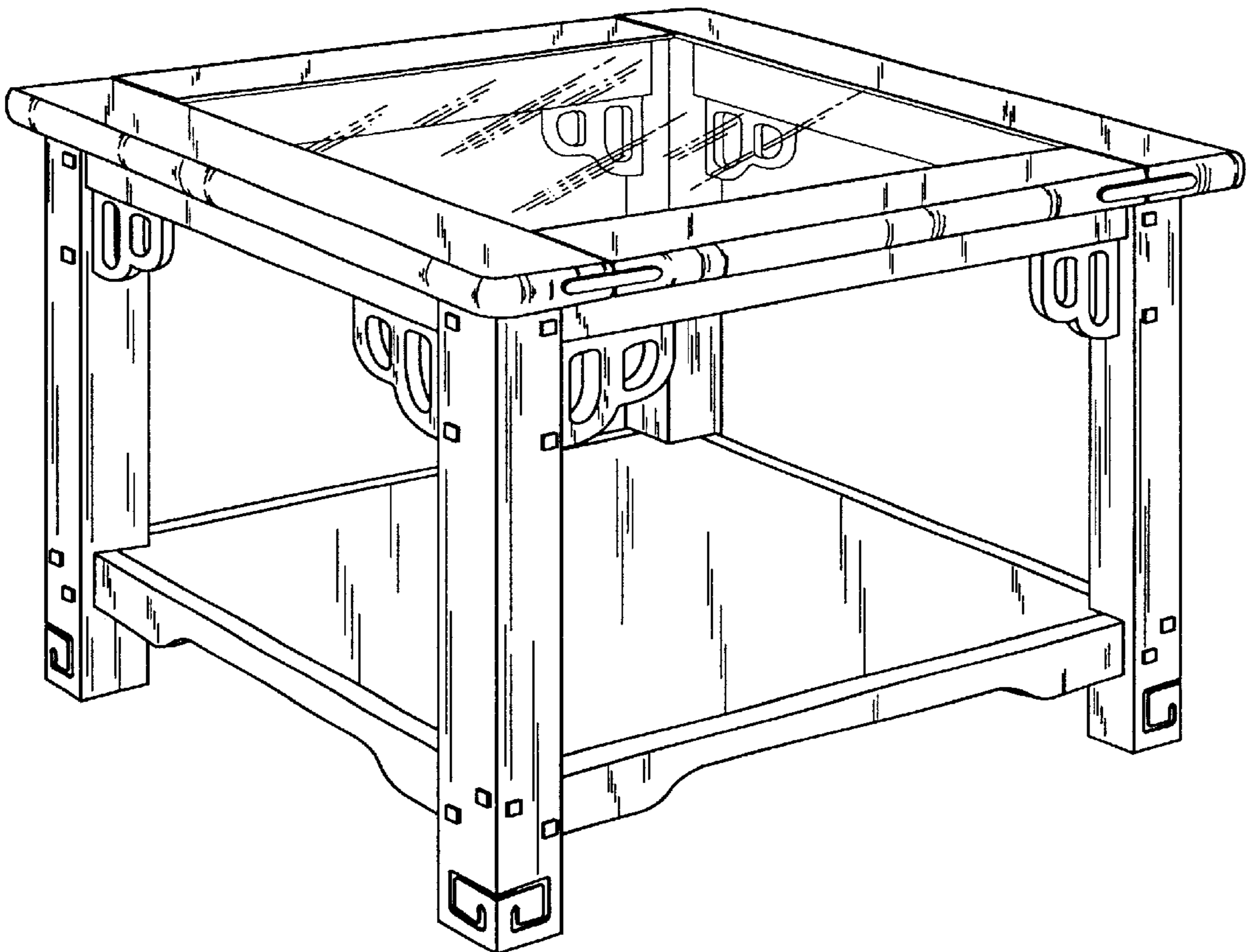
FIG. 3 is a side elevational view, the opposite side being a
mirror image thereof;

FIG. 4 is a top view thereof; and,

FIG. 5 is an enlarged partial perspective view of a corner
section thereof.

The bottom view is not shown and forms no part of the
claimed design. The dashed lines represent environmental
elements only and form no part of the claimed design.

1 Claim, 5 Drawing Sheets



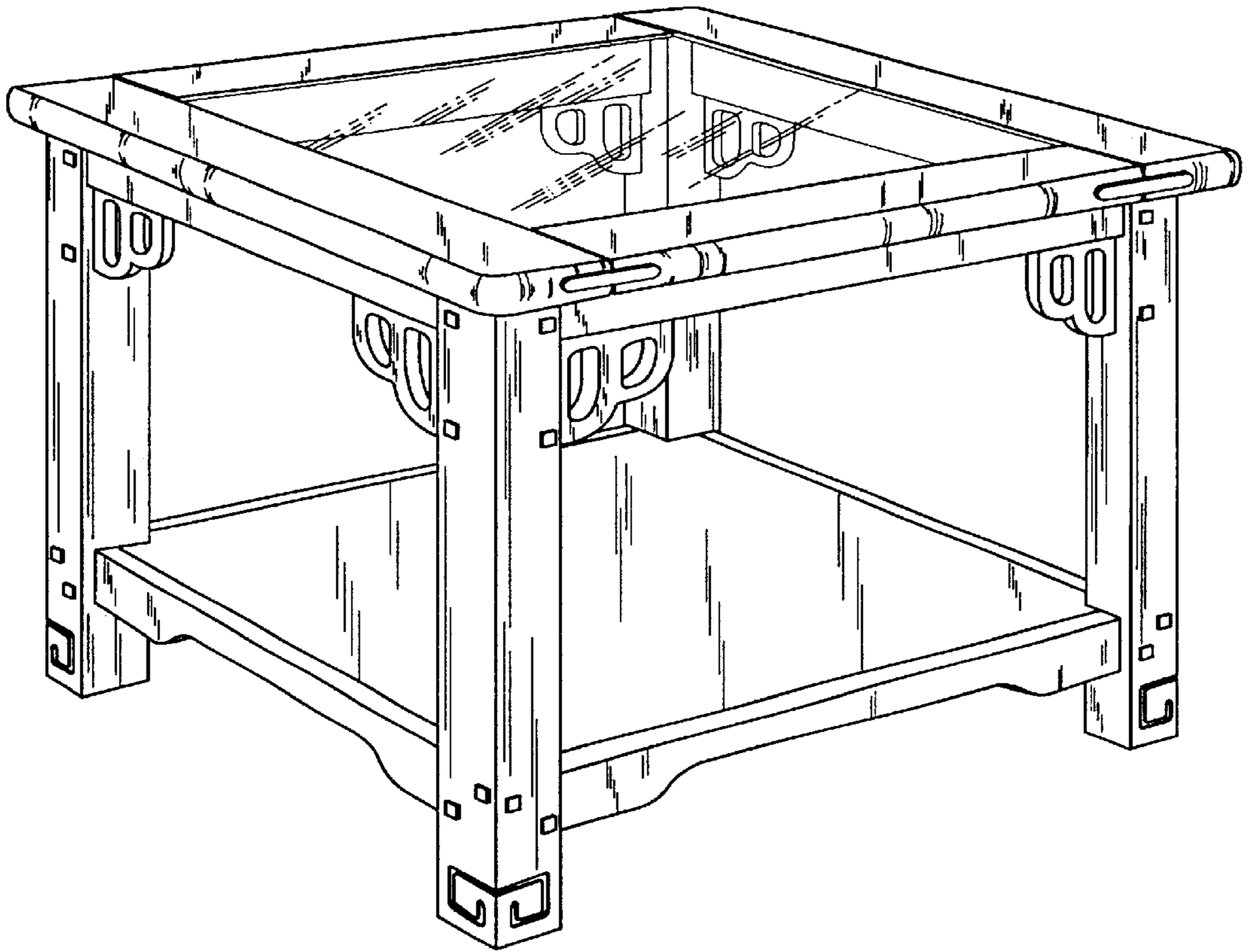


FIG. 1

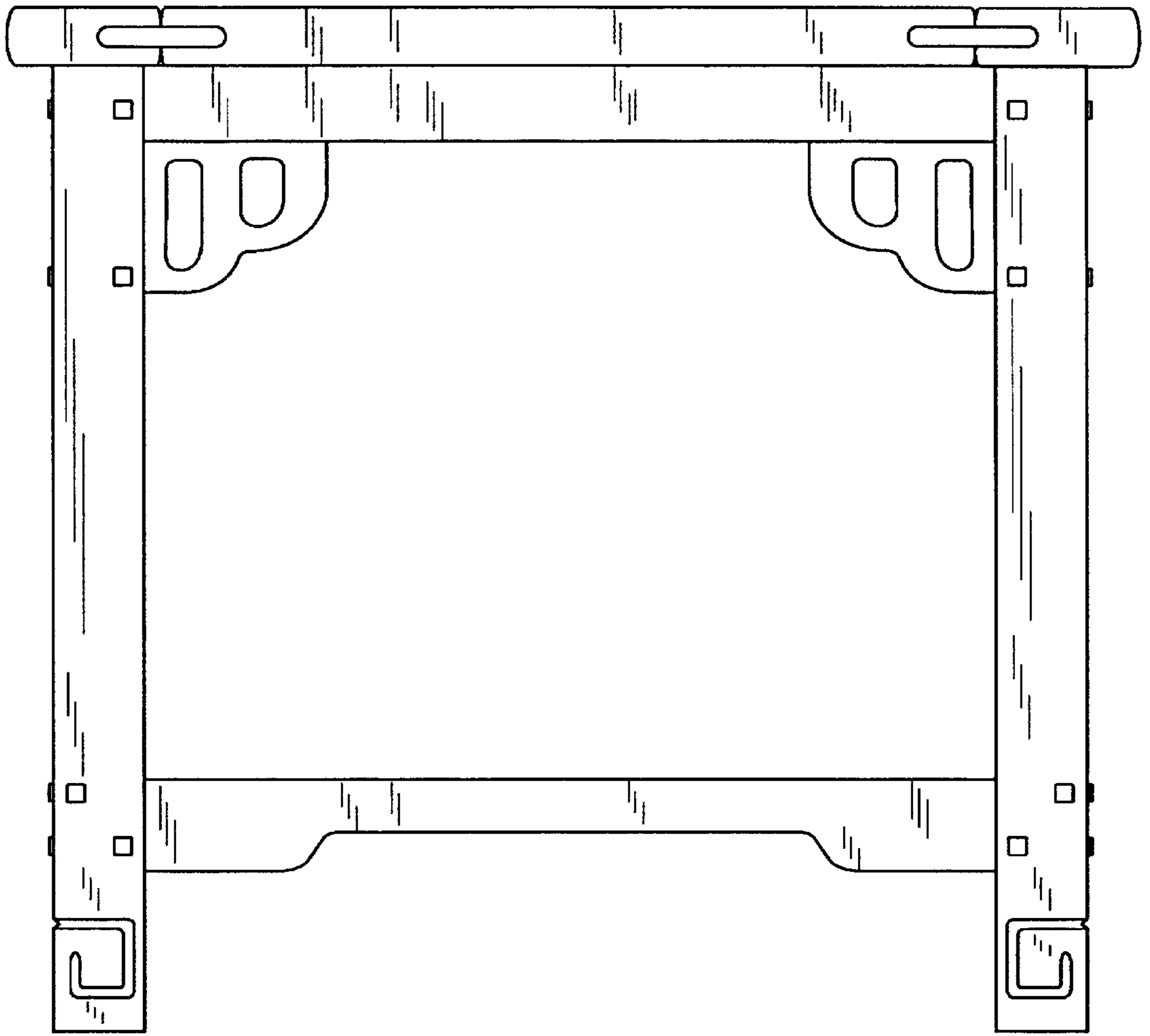


FIG. 2

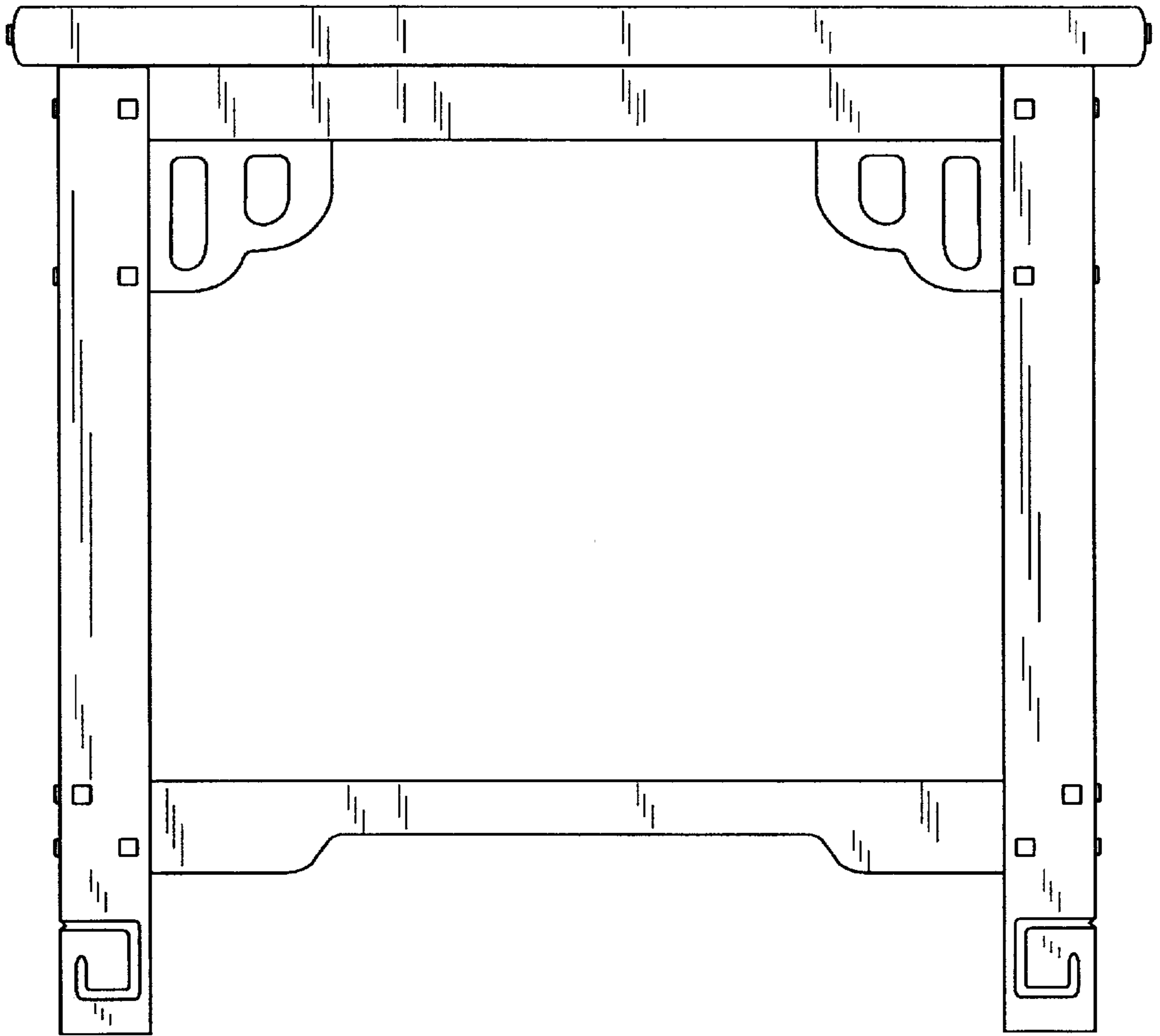


FIG. 3

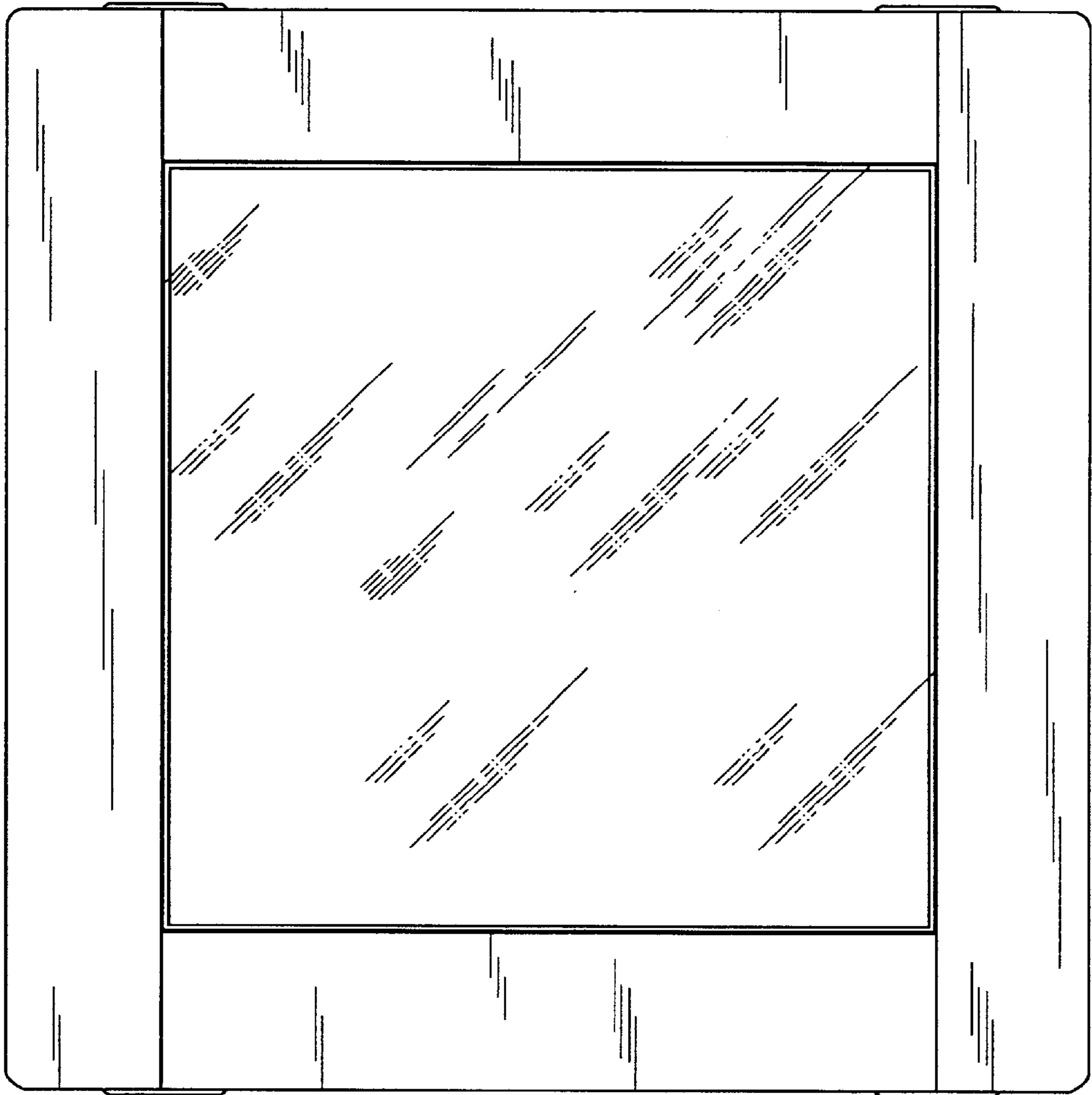


FIG. 4

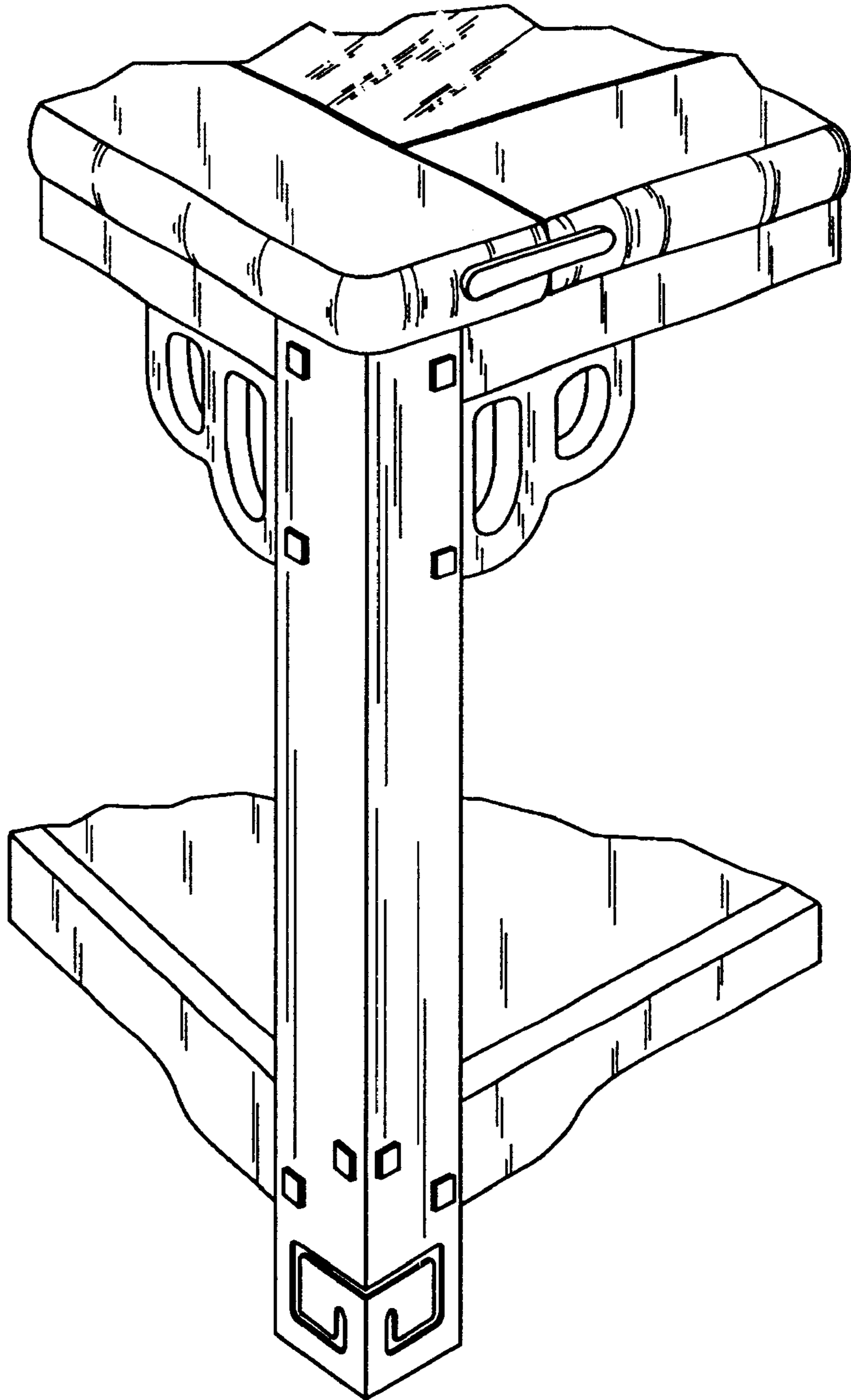


FIG. 5