



US00D448200B1

(12) **United States Design Patent**
Sagol

(10) **Patent No.:** **US D448,200 S**

(45) **Date of Patent:** **** Sep. 25, 2001**

(54) **WORK BENCH**

(75) Inventor: **Sami Sagol**, Ramat Hasharon (IL)

(73) Assignee: **Keter Plastic Ltd.**, Herzlia (IL)

(**) Term: **14 Years**

(21) Appl. No.: **29/118,797**

(22) Filed: **Feb. 16, 2000**

(51) **LOC (7) Cl.** **06-04**

(52) **U.S. Cl.** **D6/400**

(58) **Field of Search** D6/396, 397, 400,
D6/429-431, 451; 108/11, 12, 19, 54.1,
115, 121, 131, 139, 132, 160, 161; 144/285,
286.1; 269/901, 95, 139; 312/194, 195,
196

(56) **References Cited**

U.S. PATENT DOCUMENTS

D. 266,128	*	9/1982	Ferdinand et al.	D6/400
D. 279,736	*	7/1985	Zastera et al.	D6/400
D. 337,898	*	8/1993	Chen	D6/400
D. 346,709	*	5/1994	Nagao	D6/400
D. 374,996	*	10/1996	Nonlewicz	D6/400
2,587,177	*	2/1952	Larson	144/286.1
3,289,616	*	12/1966	Donihi	108/161
4,103,626	*	8/1978	Barricks	108/160
4,252,304	*	2/1981	Pettican	269/139
4,278,243	*	7/1981	Alessio	169/16
4,378,107	*	3/1983	Wagster et al.	108/160
4,864,941	*	9/1989	Goulter	108/132

* cited by examiner

Primary Examiner—Prabhakar Deshmukh

(74) *Attorney, Agent, or Firm*—Kenyon & Kenyon

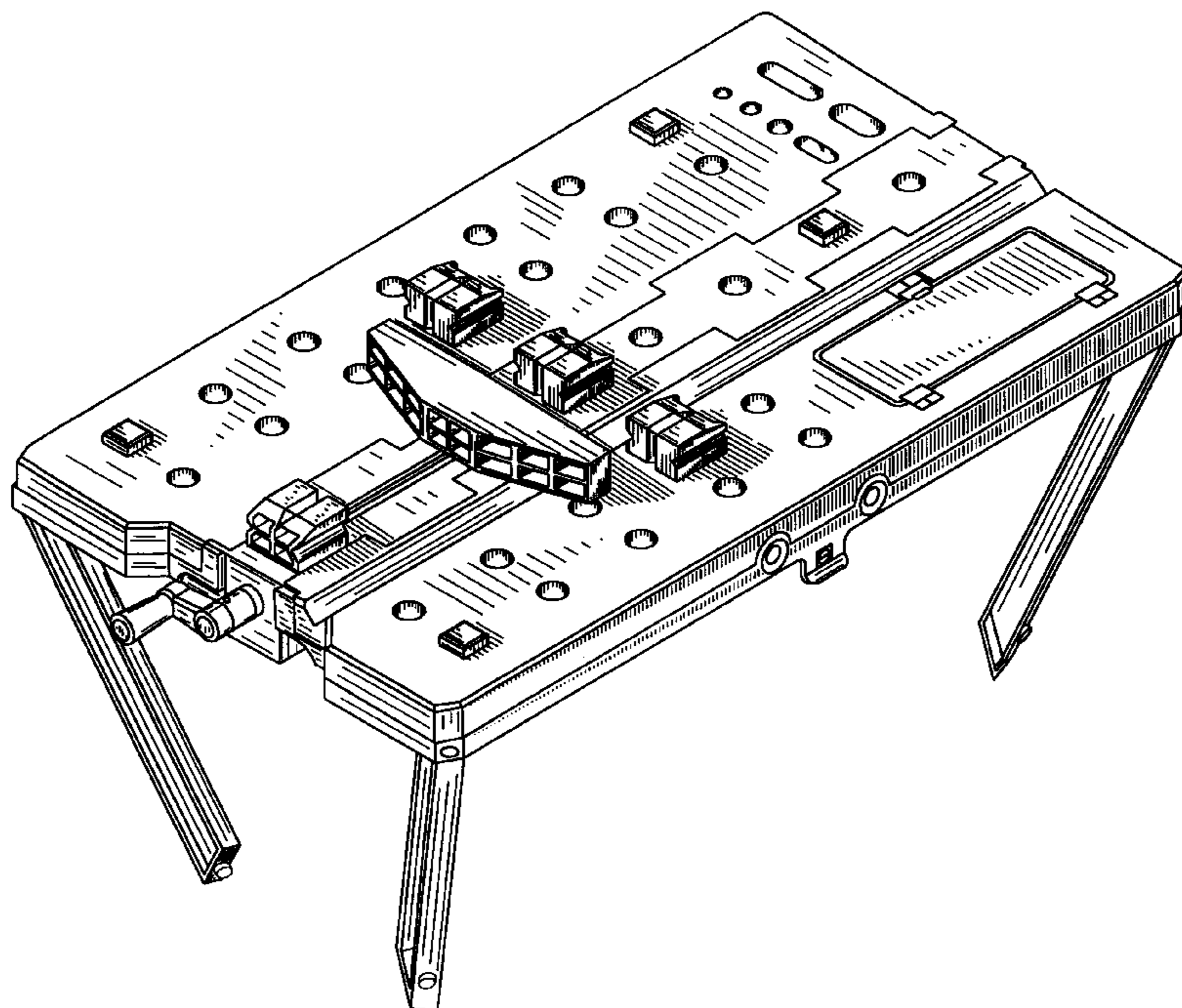
(57) **CLAIM**

The ornamental design for a work bench, as shown and described.

DESCRIPTION

FIG. 1 is a perspective view of a work bench showing my new design; with the grip articles attached to the work surface and legs shown in partially extended position; FIG. 2 is a perspective view thereof; with the grip articles removed for clarity and legs shown in partially extended position; FIG. 3 is a perspective view thereof; with the work bench shown in a folded position; FIG. 4 is a top plan view of FIG. 3; FIG. 5 is a bottom plan view of FIG. 3; FIG. 6 is a left side elevational view of FIG. 3; FIG. 7 is a right side elevational view of FIG. 3; FIG. 8 is a rear elevational view of FIG. 3; FIG. 9 is a front elevational view of FIG. 3; FIG. 10 is a top perspective view of the work bench; shown in an expanded position with legs in their contracted position; FIG. 11 is a top perspective view of FIG. 10; shown in a partially expanded position; FIG. 12 is a top plan view of FIG. 10; FIG. 13 is a left side elevational view of FIG. 10; FIG. 14 is a right side elevational view of FIG. 10; FIG. 15 is a rear elevational view of FIG. 10; FIG. 16 is a front elevational view of FIG. 10; and, FIG. 17 is a bottom perspective view of FIG. 10.

1 Claim, 12 Drawing Sheets



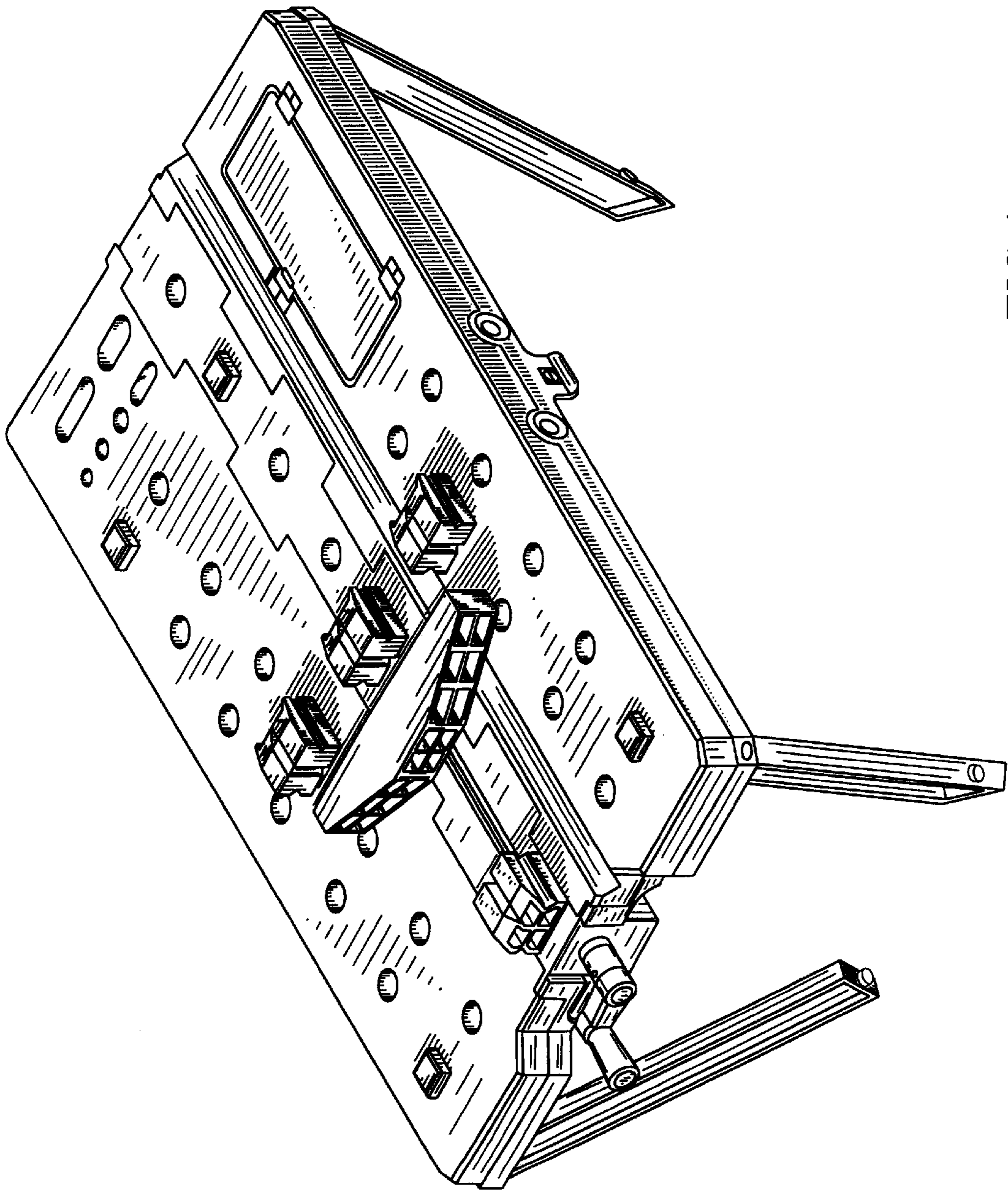


FIG.1

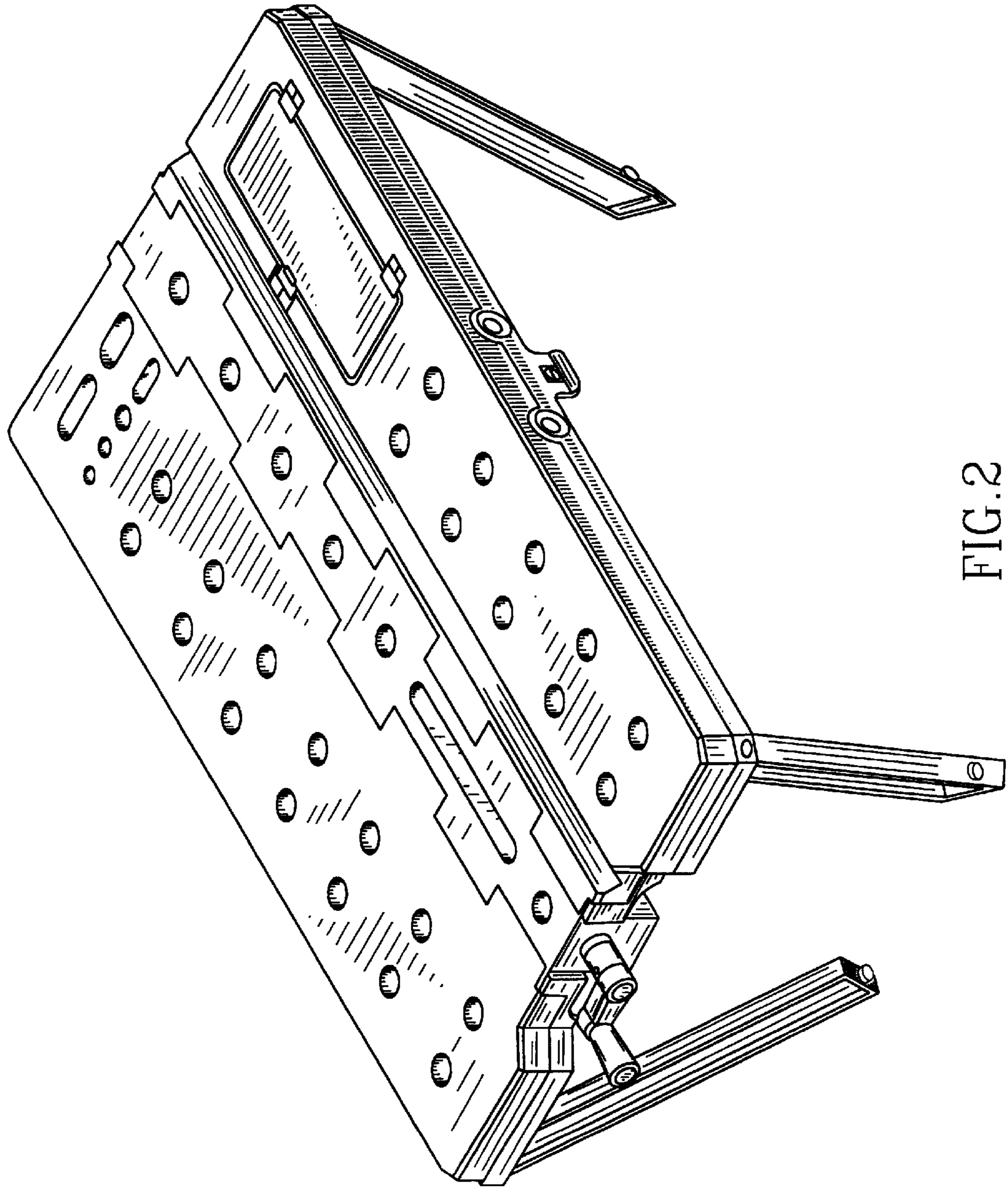


FIG.2

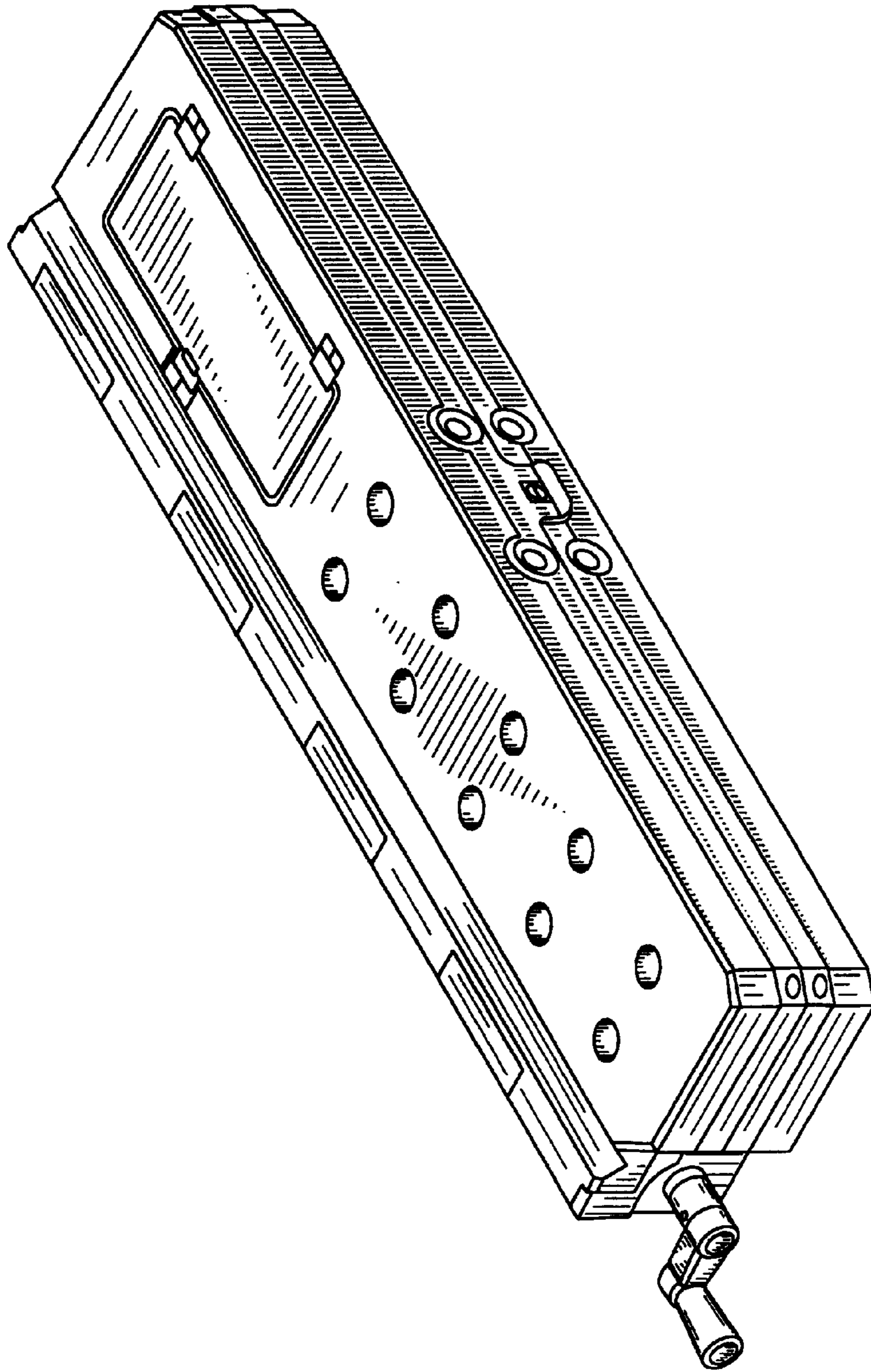


FIG. 3

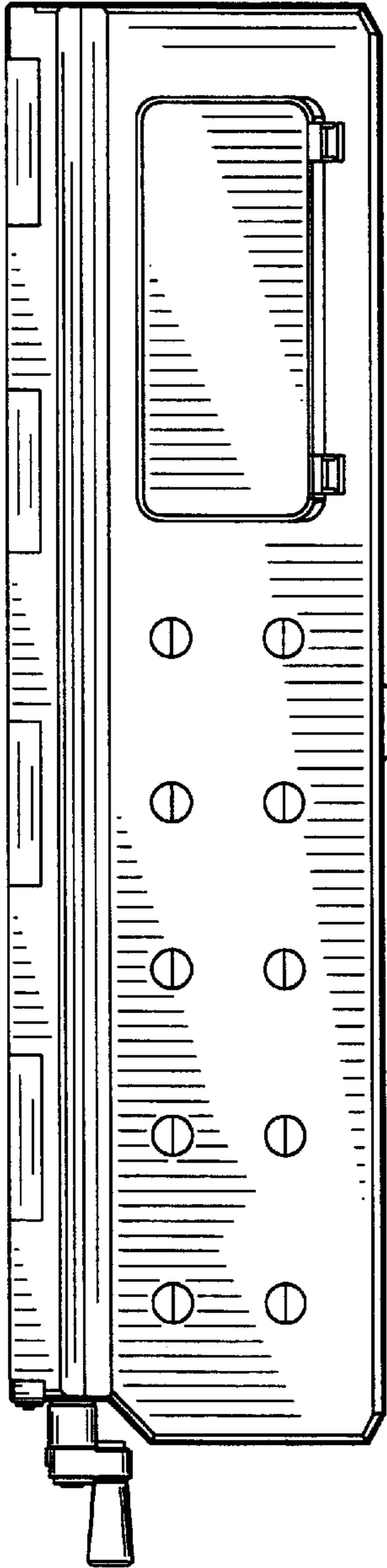


FIG. 4

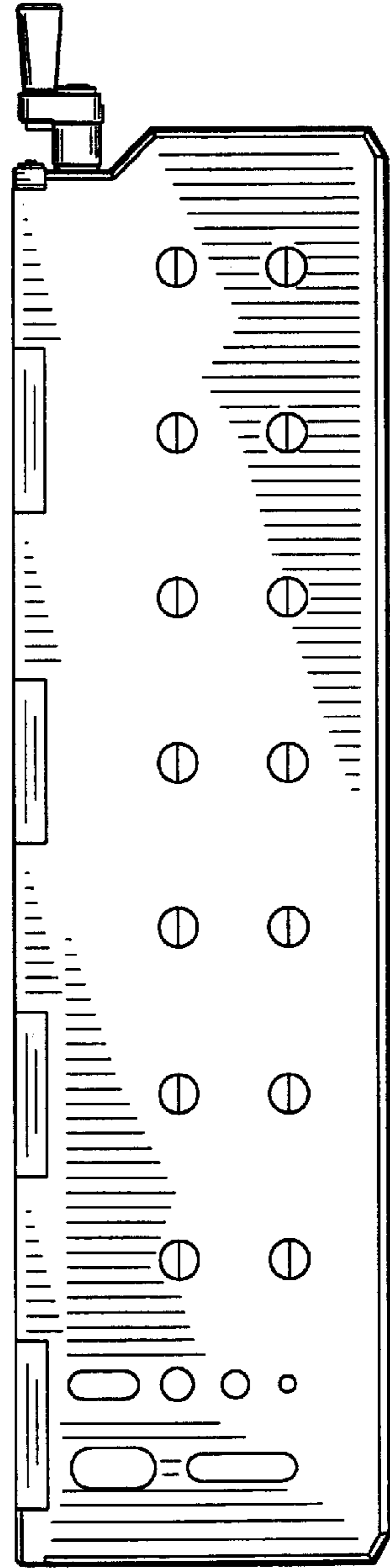


FIG. 5

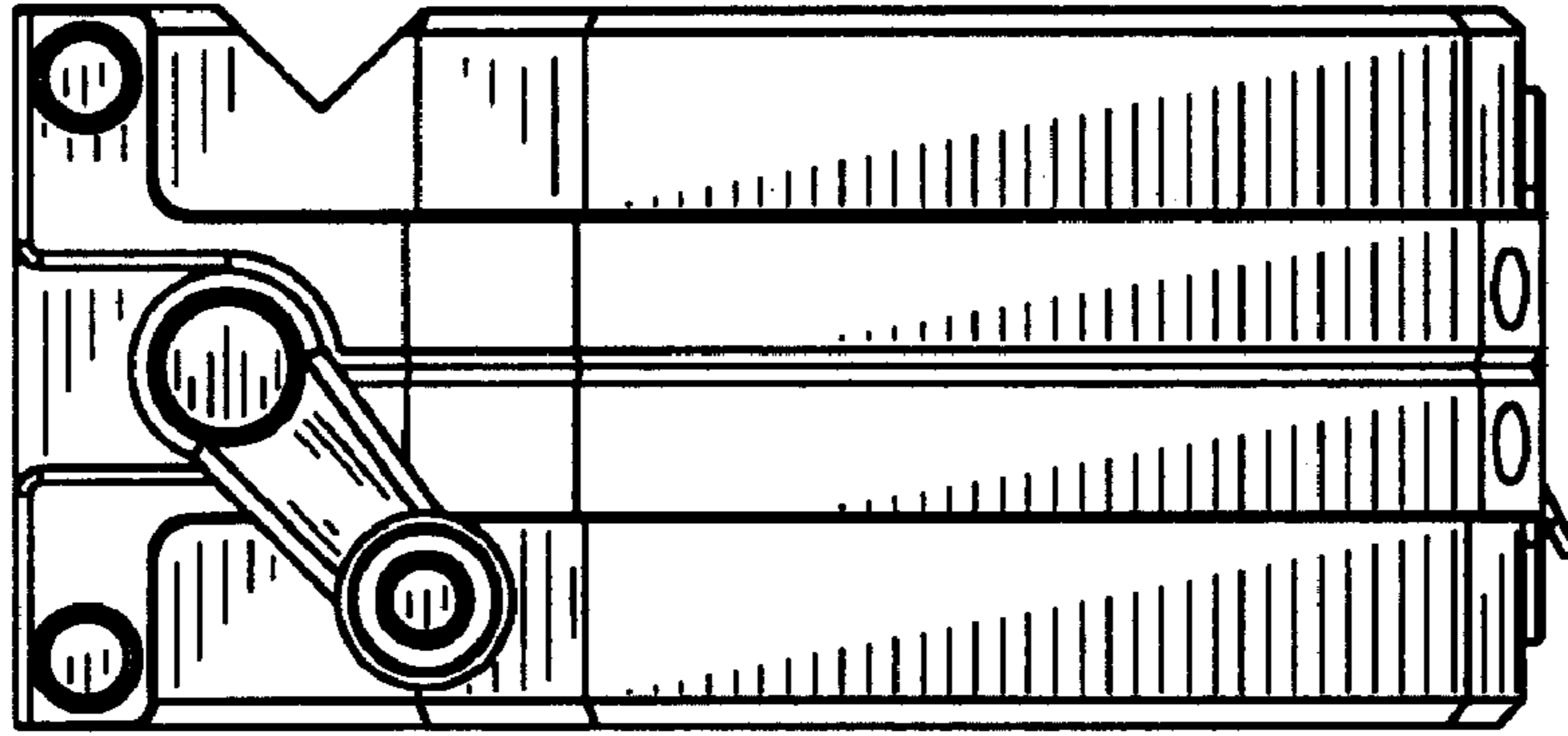


FIG. 6

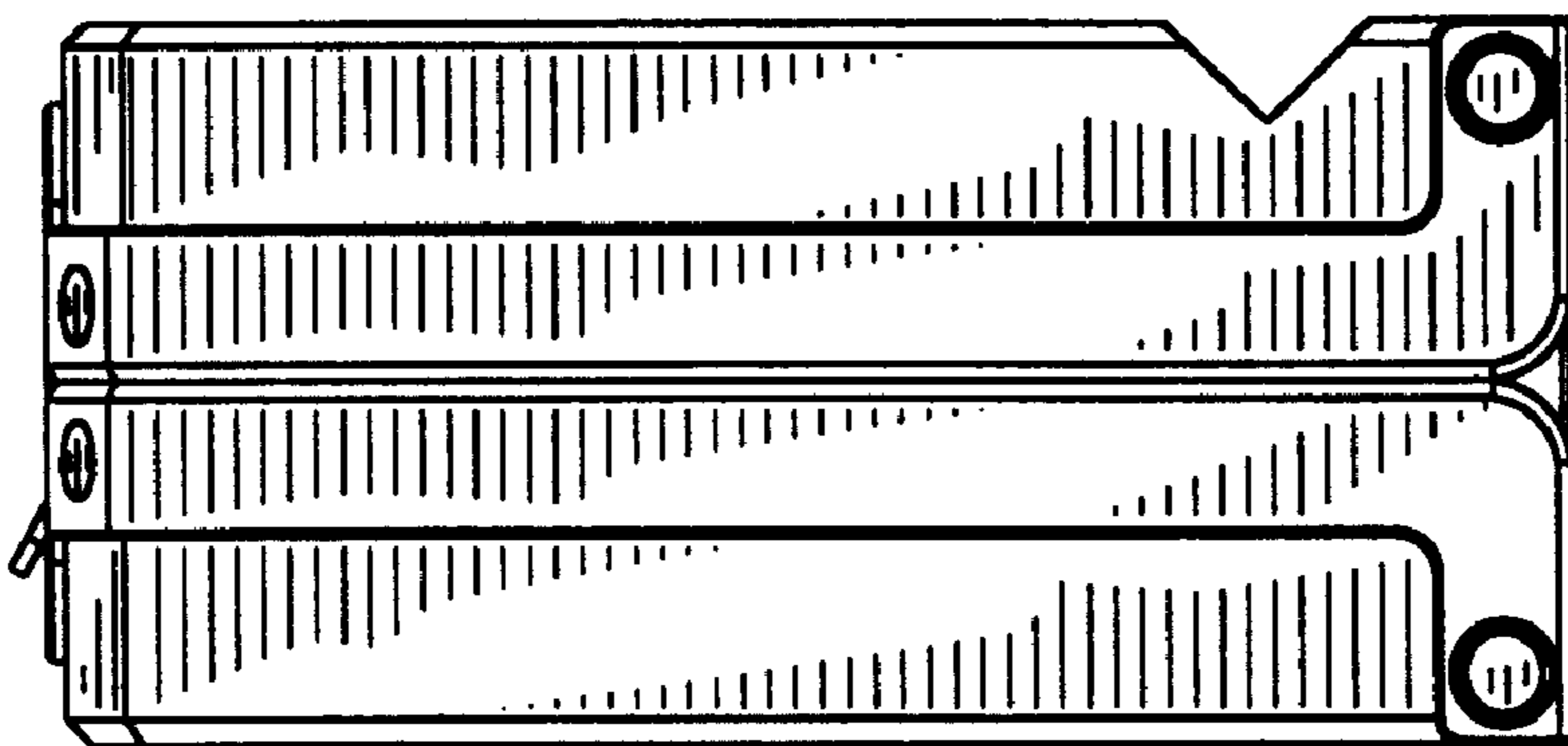


FIG. 7

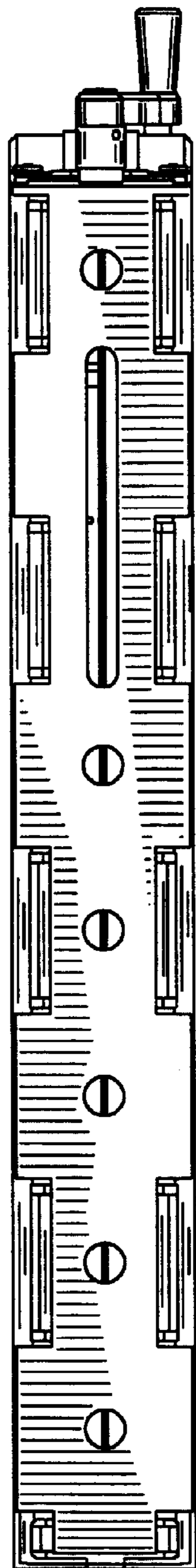


FIG. 8

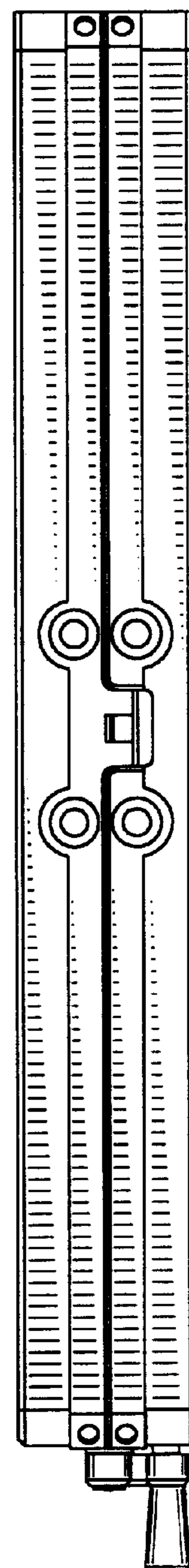


FIG. 9

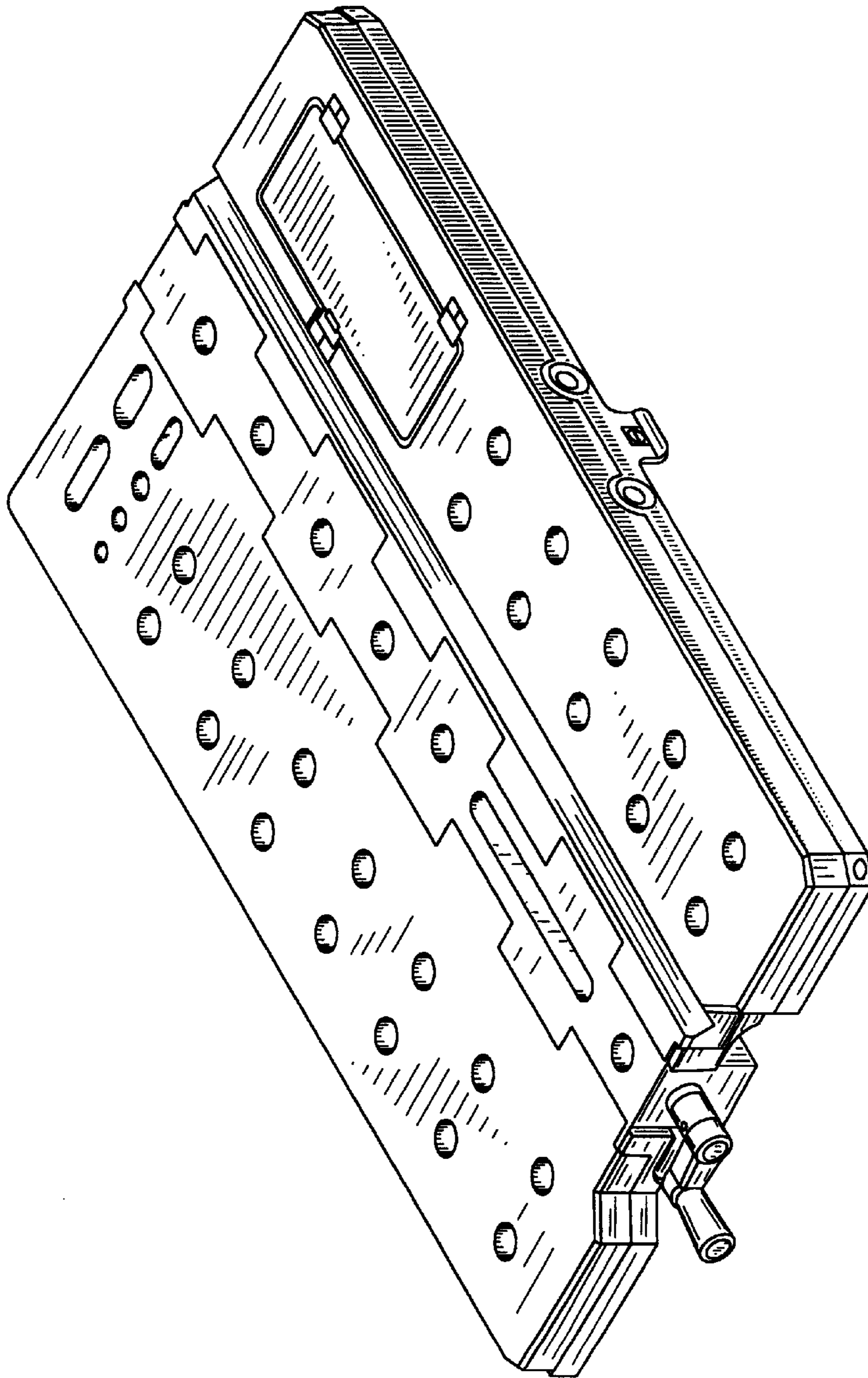


FIG.10

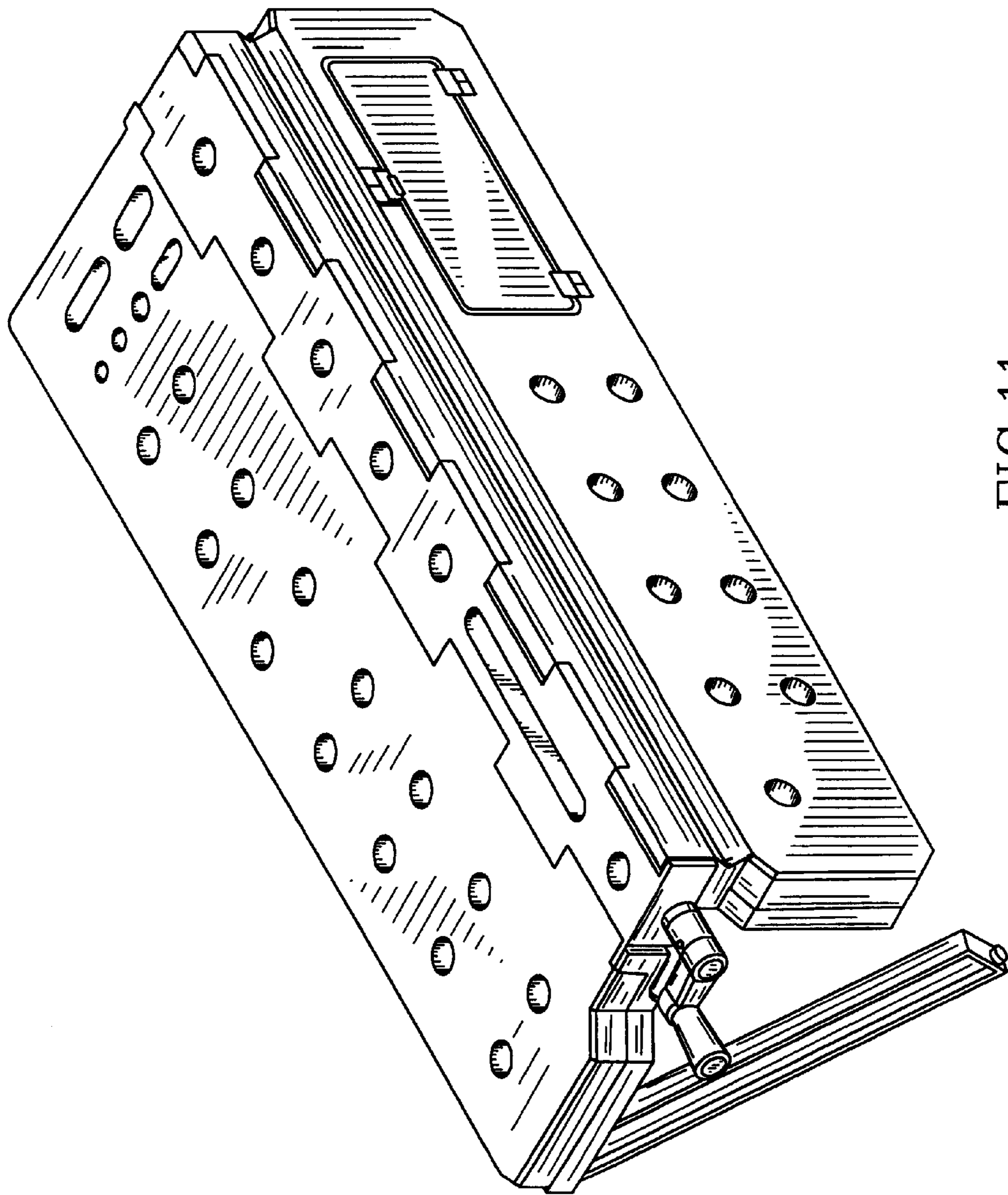


FIG.11

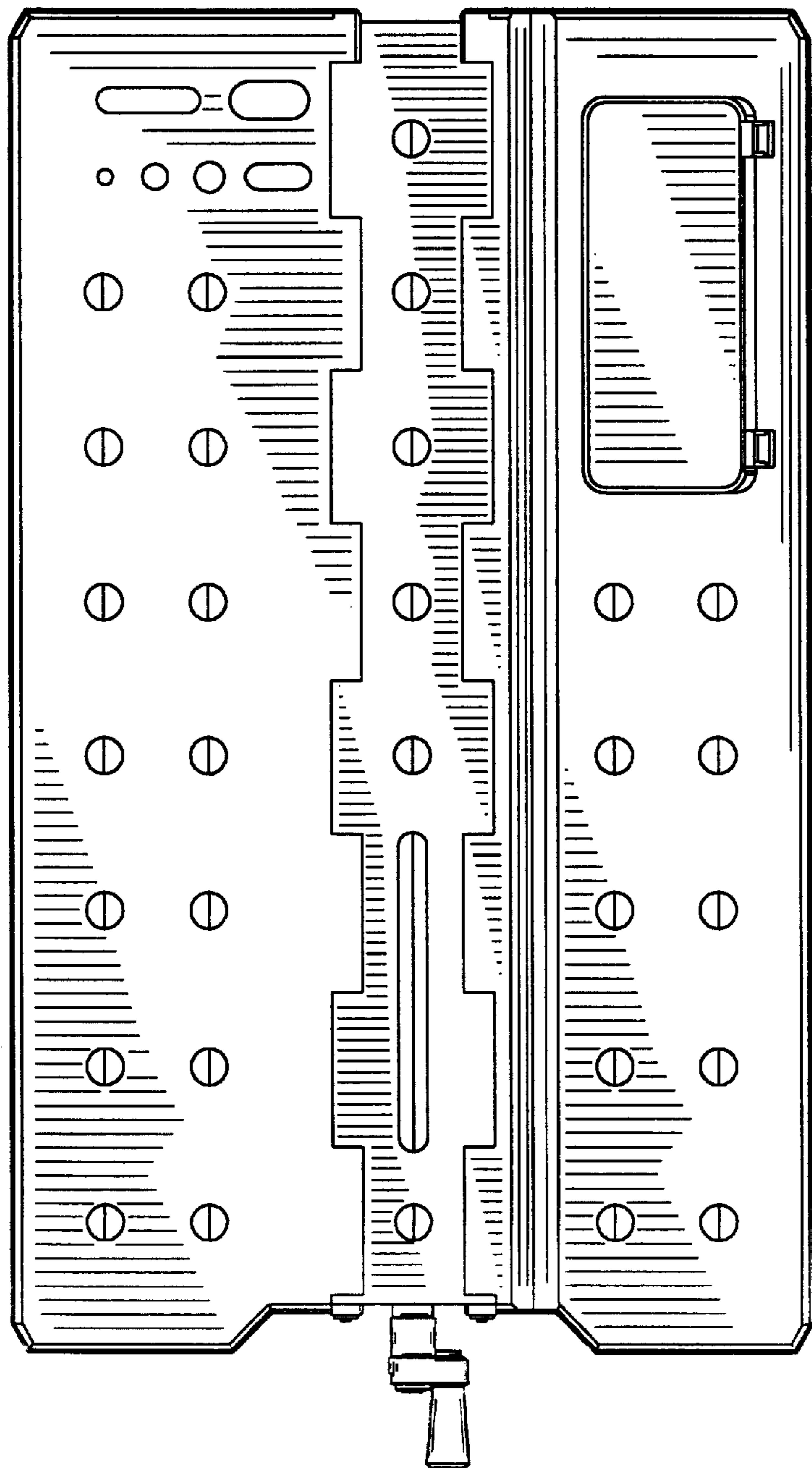


FIG.12

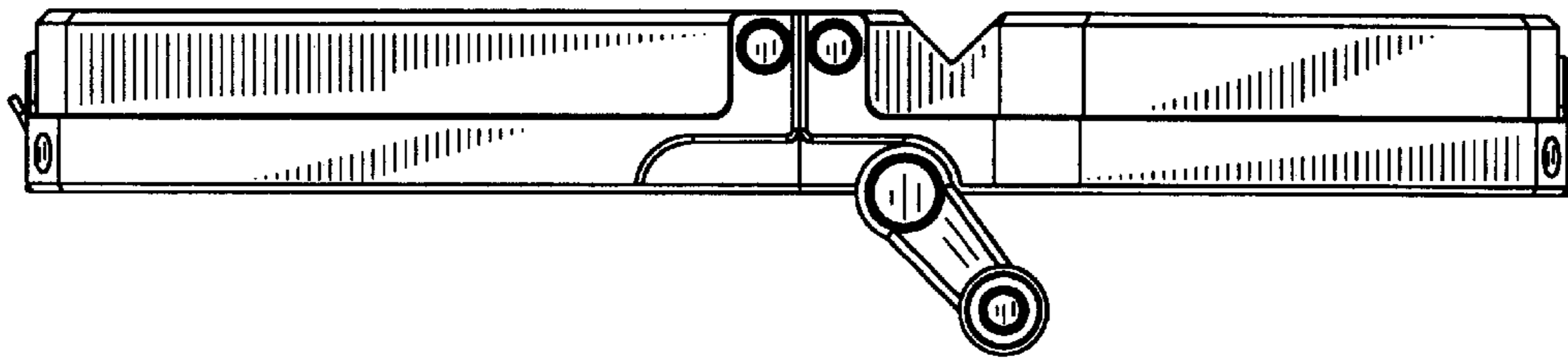


FIG.13

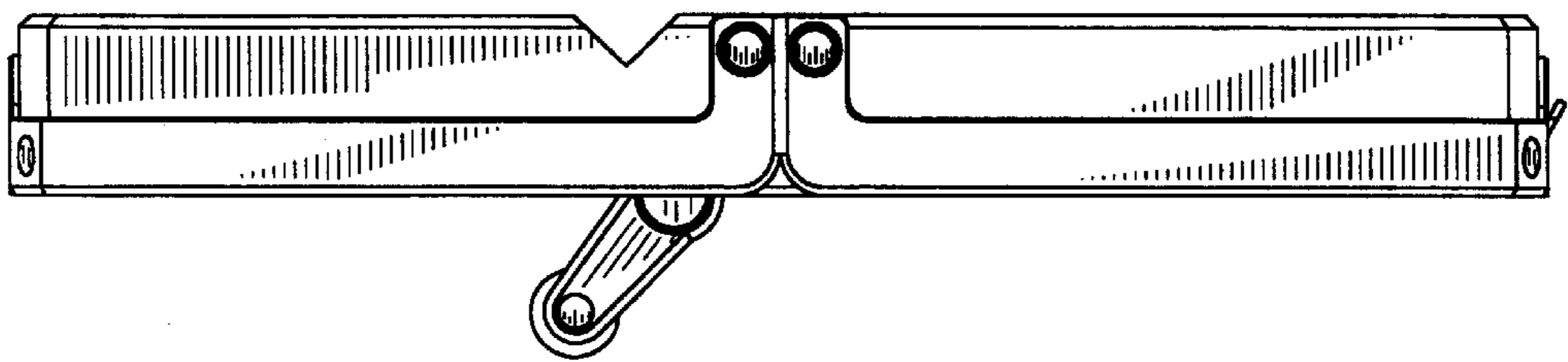


FIG.14

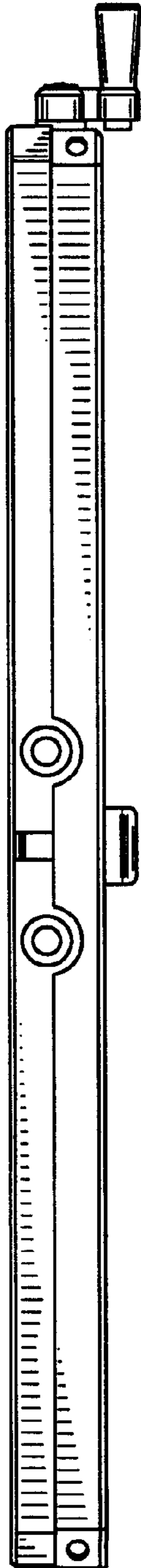


FIG.15

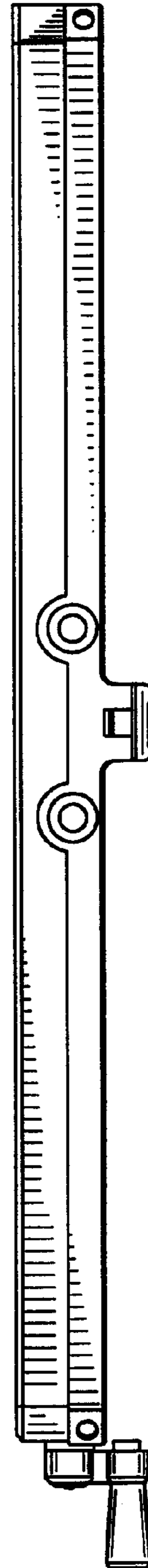


FIG.16

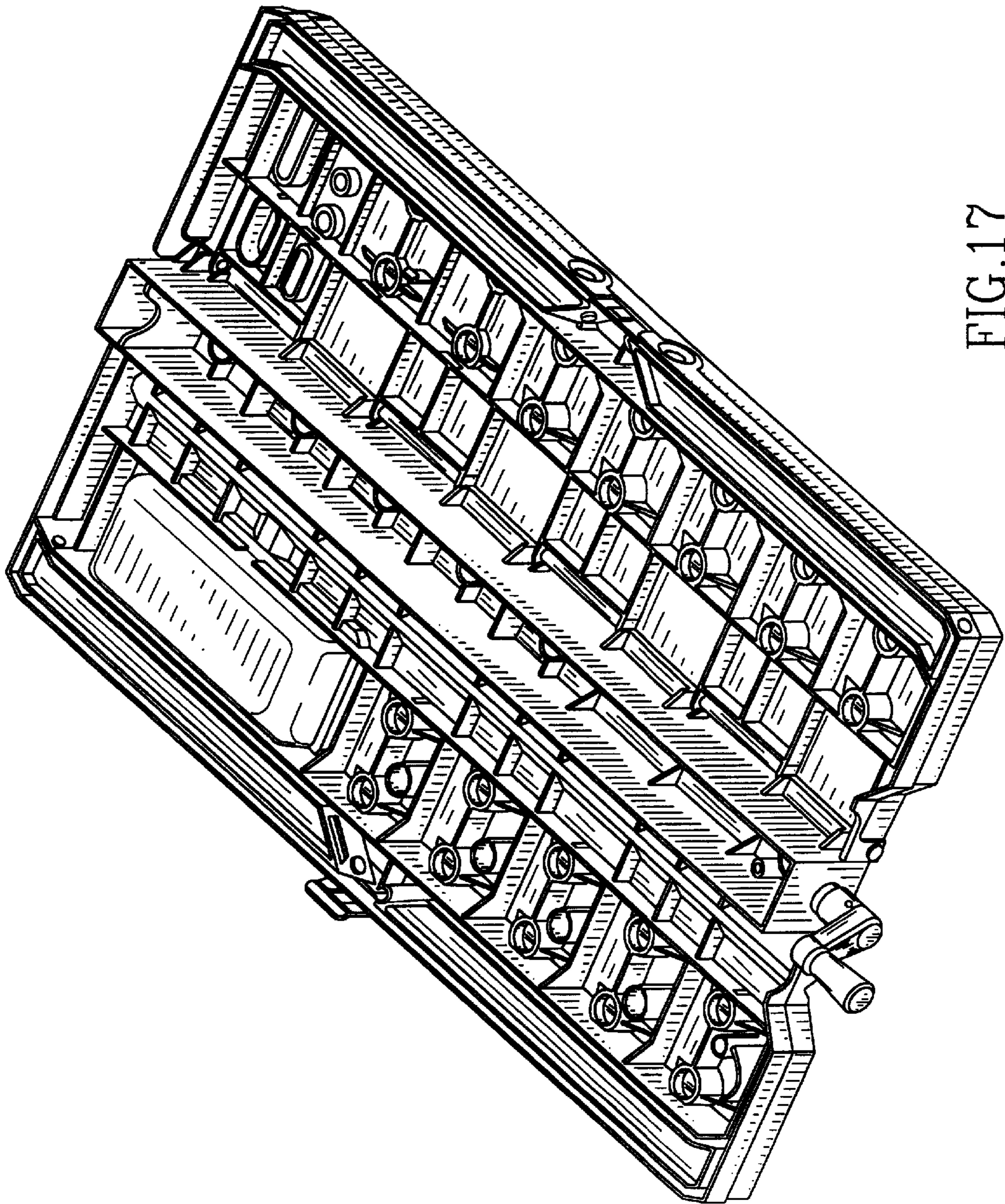


FIG.17