



US00D448197B1

(12) **United States Design Patent**
Walz

(10) **Patent No.:** **US D448,197 S**

(45) **Date of Patent:** **** Sep. 25, 2001**

(54) **CHAIR**

(76) Inventor: **Kevin Walz**, Kevin Walz Studio, via degli Orti D'Alibert, 9, Roma 00165 (IT)

(**) Term: **14 Years**

(21) Appl. No.: **29/132,330**

(22) Filed: **Nov. 7, 2000**

(51) **LOC (7) Cl.** **06-01**

(52) **U.S. Cl.** **D6/380**

(58) **Field of Search** D6/334, 335, 374, D6/376, 379, 380, 500, 501, 502; 297/445.1, 446.1

(56) **References Cited**

U.S. PATENT DOCUMENTS

- D. 173,098 * 9/1954 Bohnett D6/374
- D. 229,259 * 11/1973 Chadwick D6/376
- D. 237,765 * 11/1975 Jester et al. D6/374

- D. 238,990 * 3/1976 Galvez D6/374
- D. 243,807 * 3/1977 Palmer D6/380
- D. 244,330 * 5/1977 Silbaugh D6/380
- D. 248,905 * 8/1978 Schoeller D6/380

* cited by examiner

Primary Examiner—Gary D. Watson
(74) *Attorney, Agent, or Firm*—Gottlieb, Rackman & Reisman, P.C.

(57) **CLAIM**

The ornamental design for a chair, as shown and described.

DESCRIPTION

FIG. 1 is a perspective view of the chair;
FIG. 2 is a side view thereof;
FIG. 3 is a front view thereof;
FIG. 4 is a top plan view thereof;
FIG. 5 is a rear view thereof; and,
FIG. 6 is a bottom plan view thereof.

1 Claim, 3 Drawing Sheets

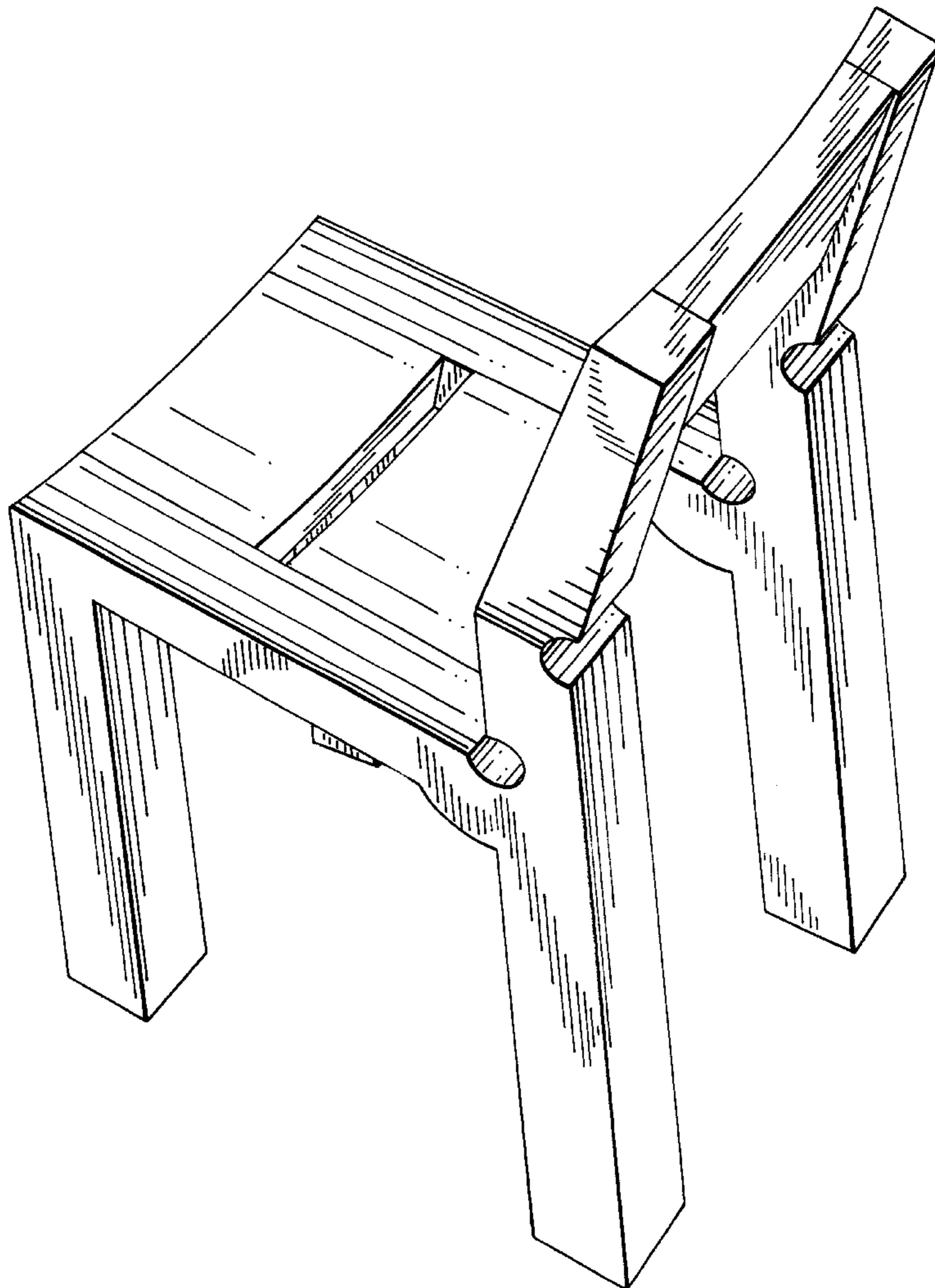
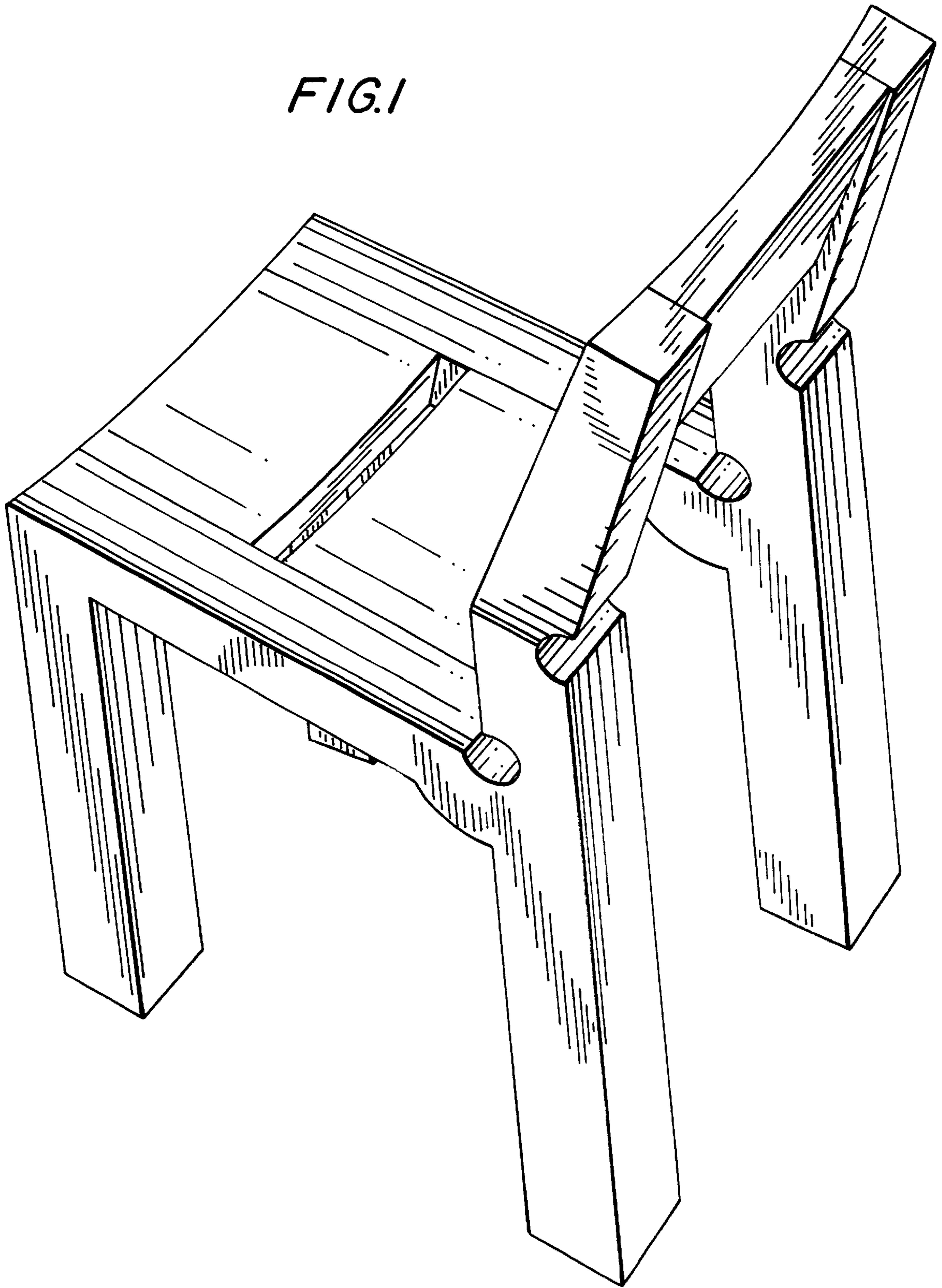


FIG. 1



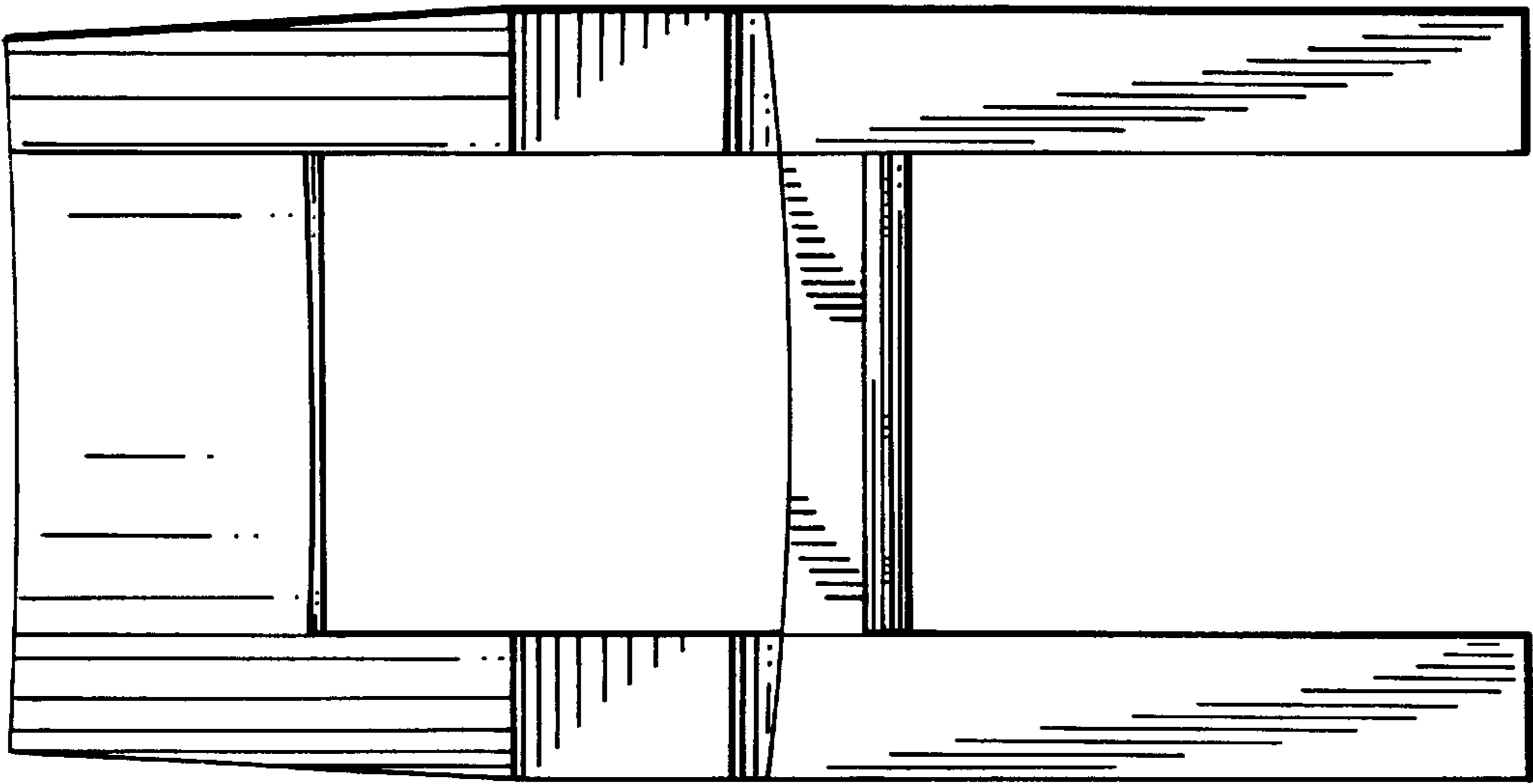


FIG. 3

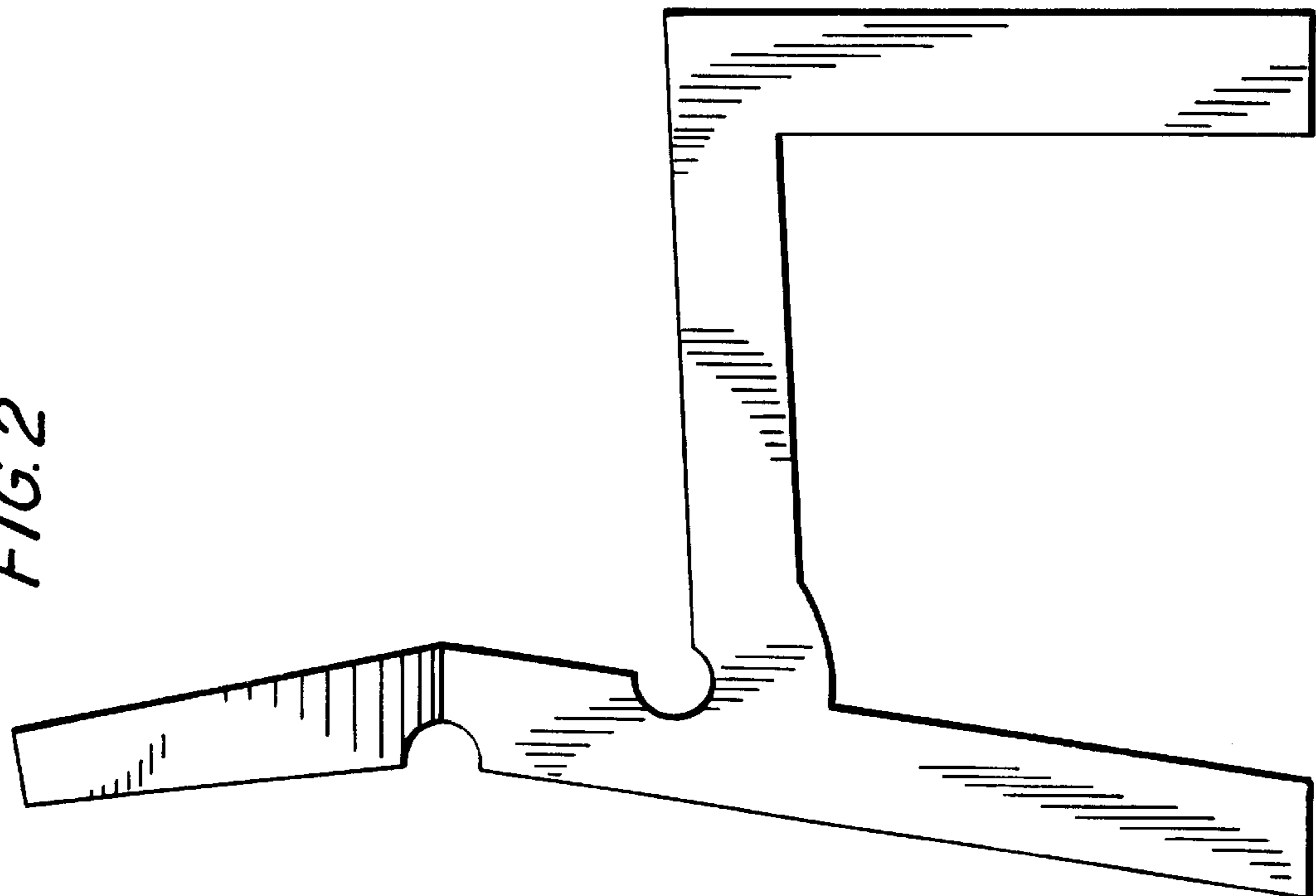


FIG. 2

FIG. 6

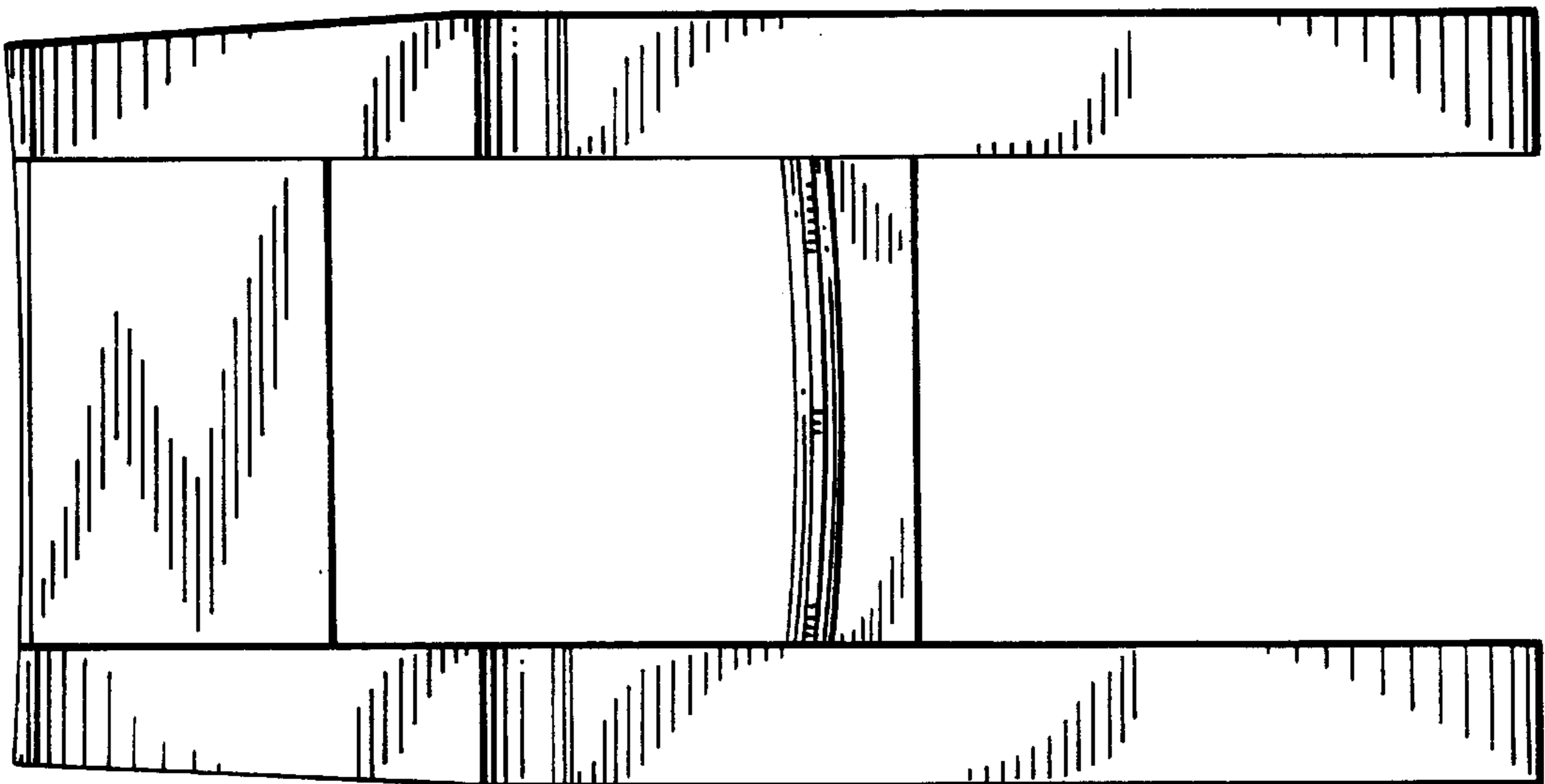
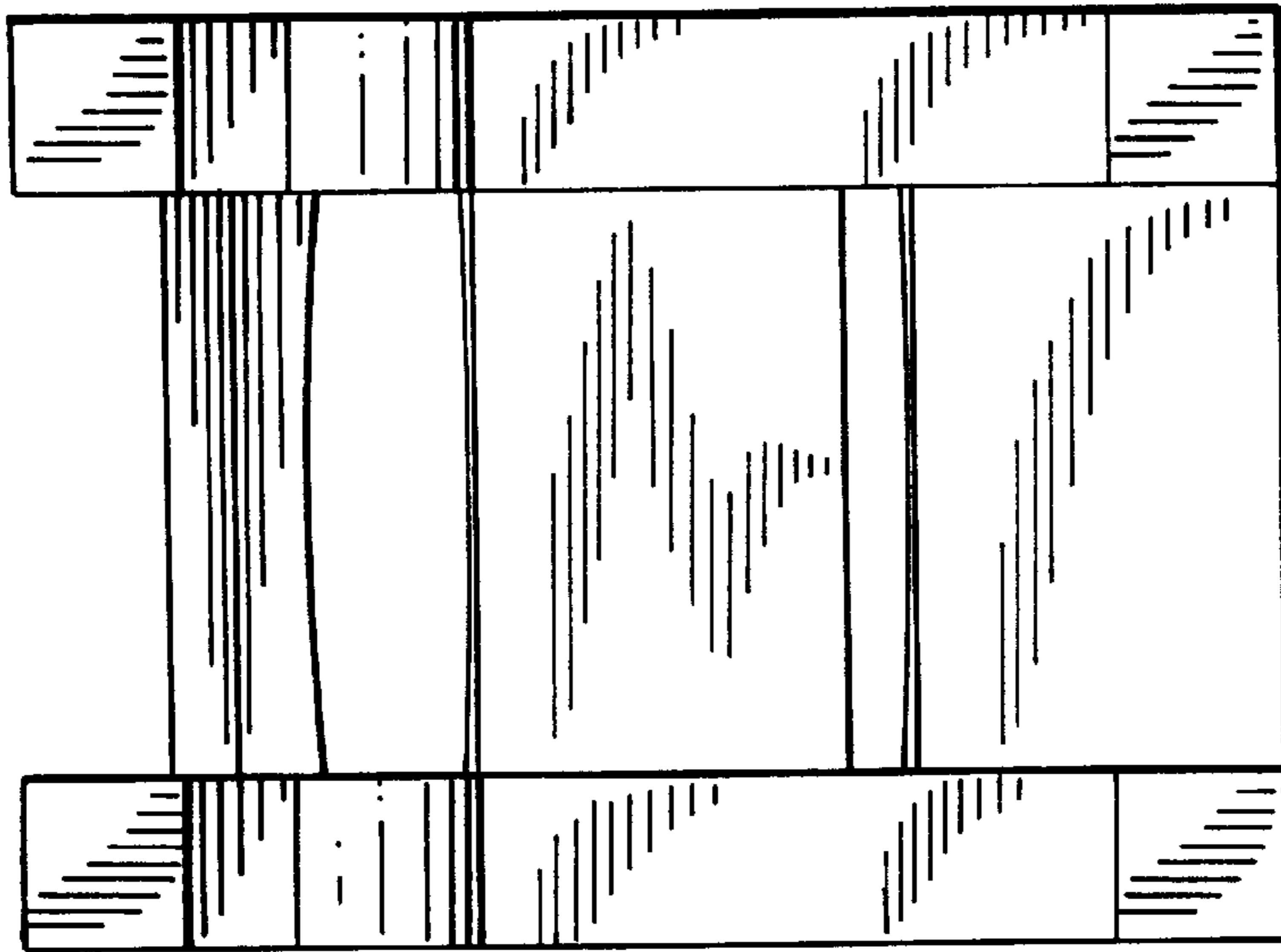


FIG. 5

FIG. 4

