



US00D448194B1

(12) **United States Design Patent**
Caldwell

(10) **Patent No.:** **US D448,194 S**

(45) **Date of Patent:** **** Sep. 25, 2001**

(54) **CHAIR**

(76) **Inventor:** **John W. Caldwell**, 1829 Warwick Rd.,
San Marino, CA (US) 91108

(**) **Term:** **14 Years**

(21) **Appl. No.:** **29/132,070**

(22) **Filed:** **Oct. 31, 2000**

(51) **LOC (7) Cl.** **06-01**

(52) **U.S. Cl.** **D6/375; D6/379**

(58) **Field of Search** **D6/334, 335, 370,**
D6/374, 375, 376, 379, 500, 501, 502;
297/445.1, 446.1

(56) **References Cited**

U.S. PATENT DOCUMENTS

D. 197,514 * 2/1964 Ritts D6/379

D. 339,694 * 9/1993 Schwartz et al. D6/370

D. 420,825 * 2/2000 Lin D6/370

* cited by examiner

Primary Examiner—Gary D. Watson

(74) *Attorney, Agent, or Firm*—Donald D. Mon

(57) **CLAIM**

The ornamental design for a chair, as shown and described.

DESCRIPTION

FIG. 1 is a perspective view of a chair according to the invention;

FIG. 2 is a right side view of the chair of FIG. 1, the left side view being a mirror image of it;

FIG. 3 is a top view of the chair;

FIG. 4 is a bottom view of the chair;

FIG. 5 is a front view of the chair; and,

FIG. 6 is a rear view of the chair.

The fragmented cross-hatching shown on the seat and backrest is understood to be fabric and would be continuous throughout the circumscribed area.

1 Claim, 3 Drawing Sheets

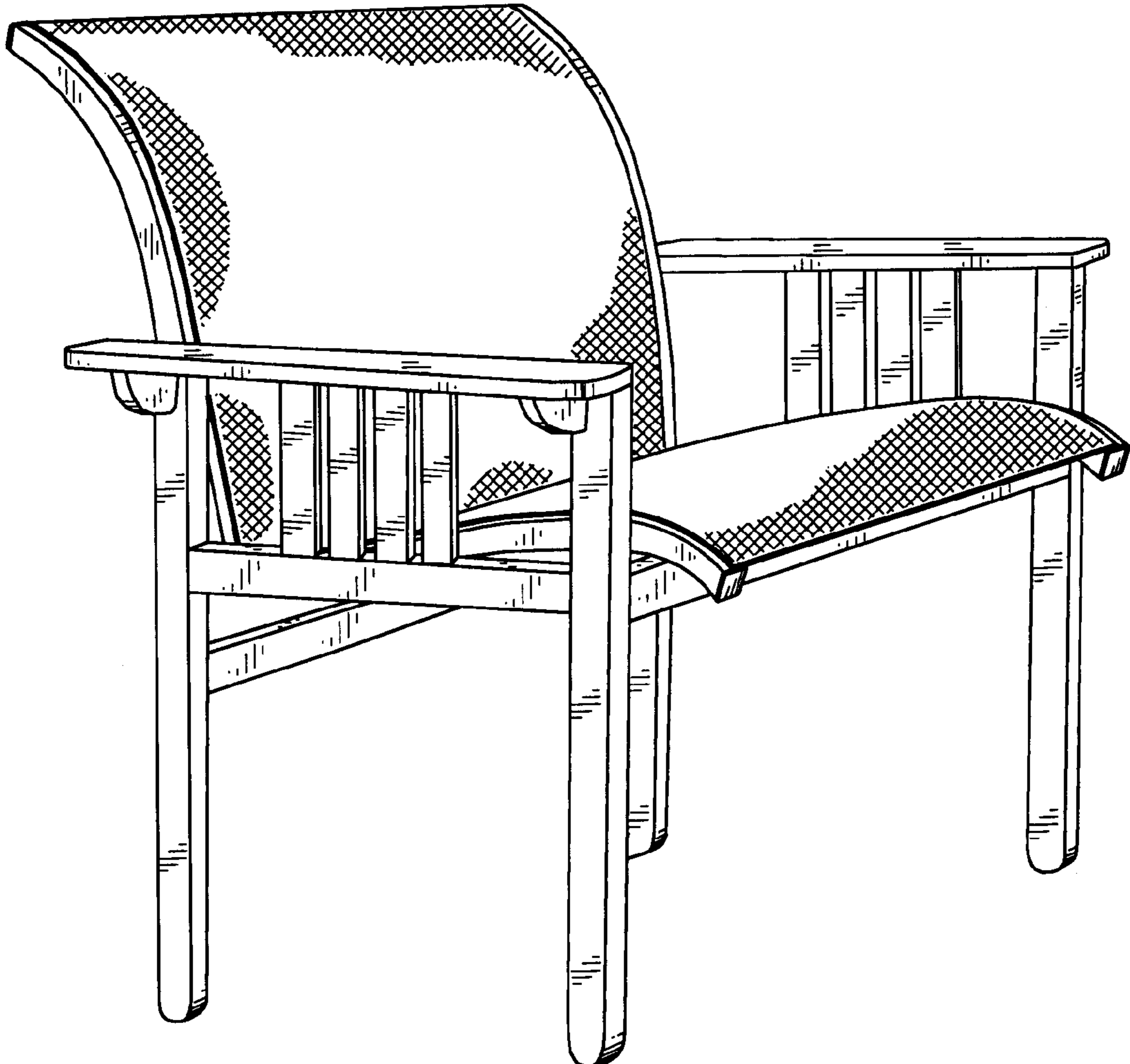


FIG. 1

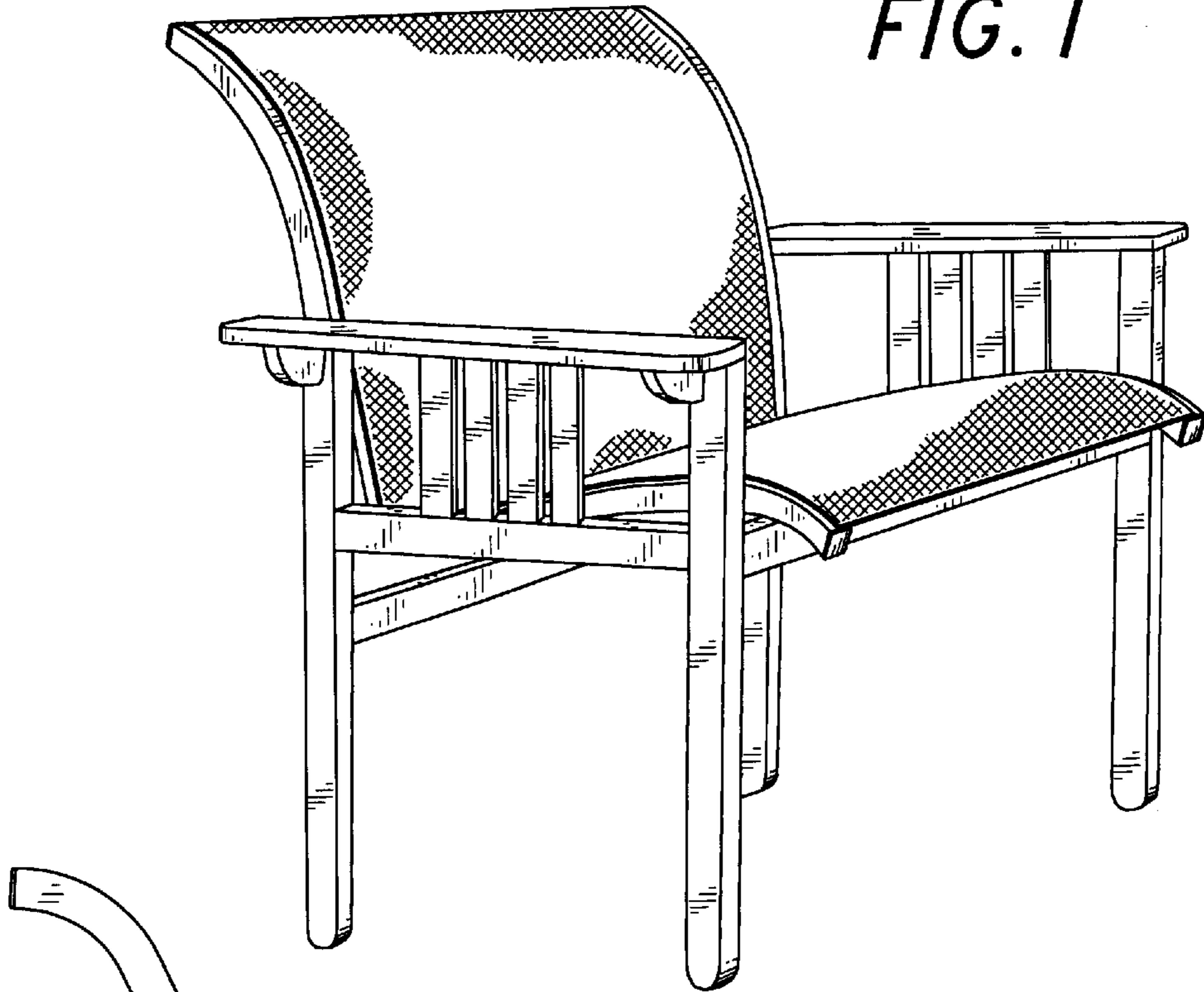
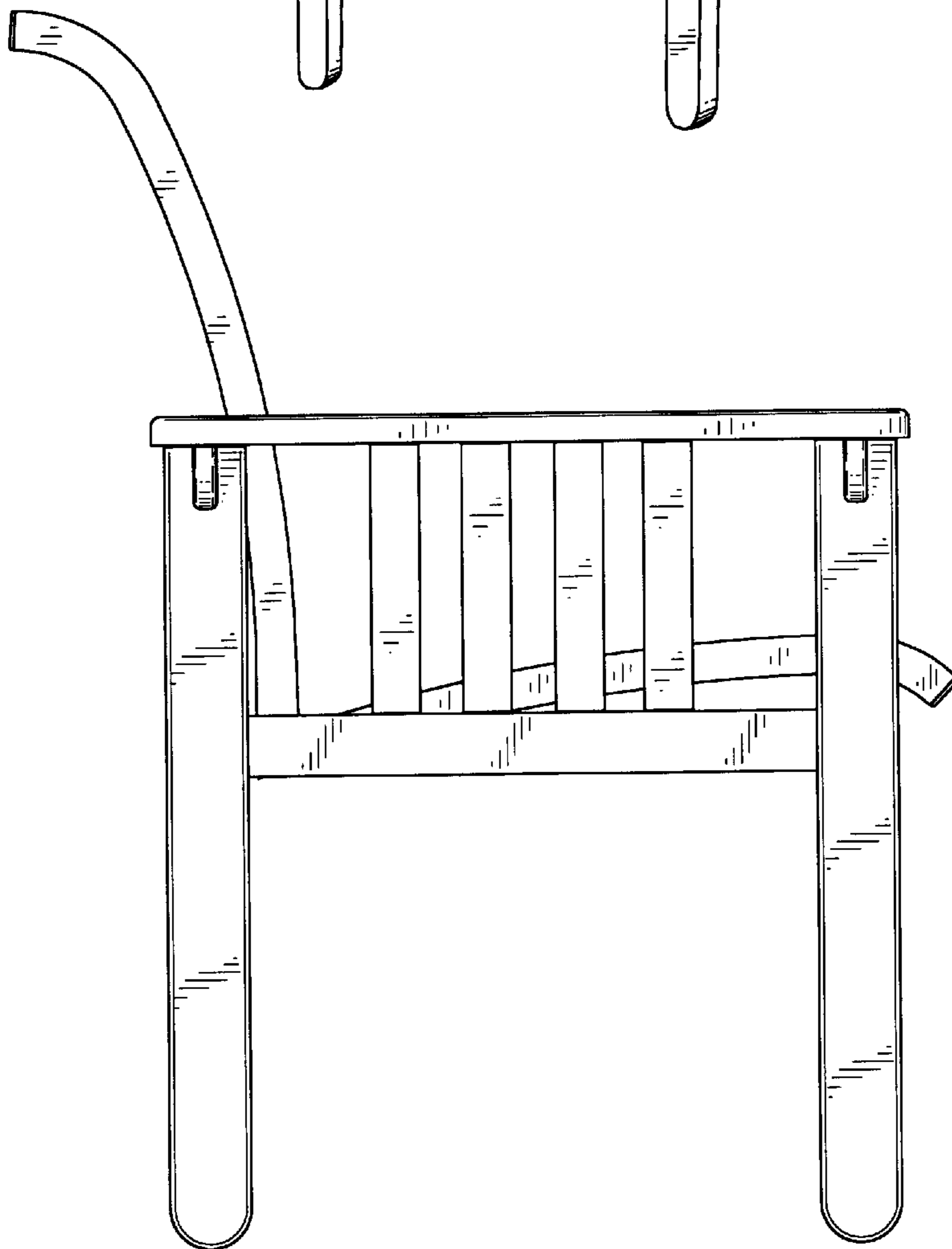


FIG. 2



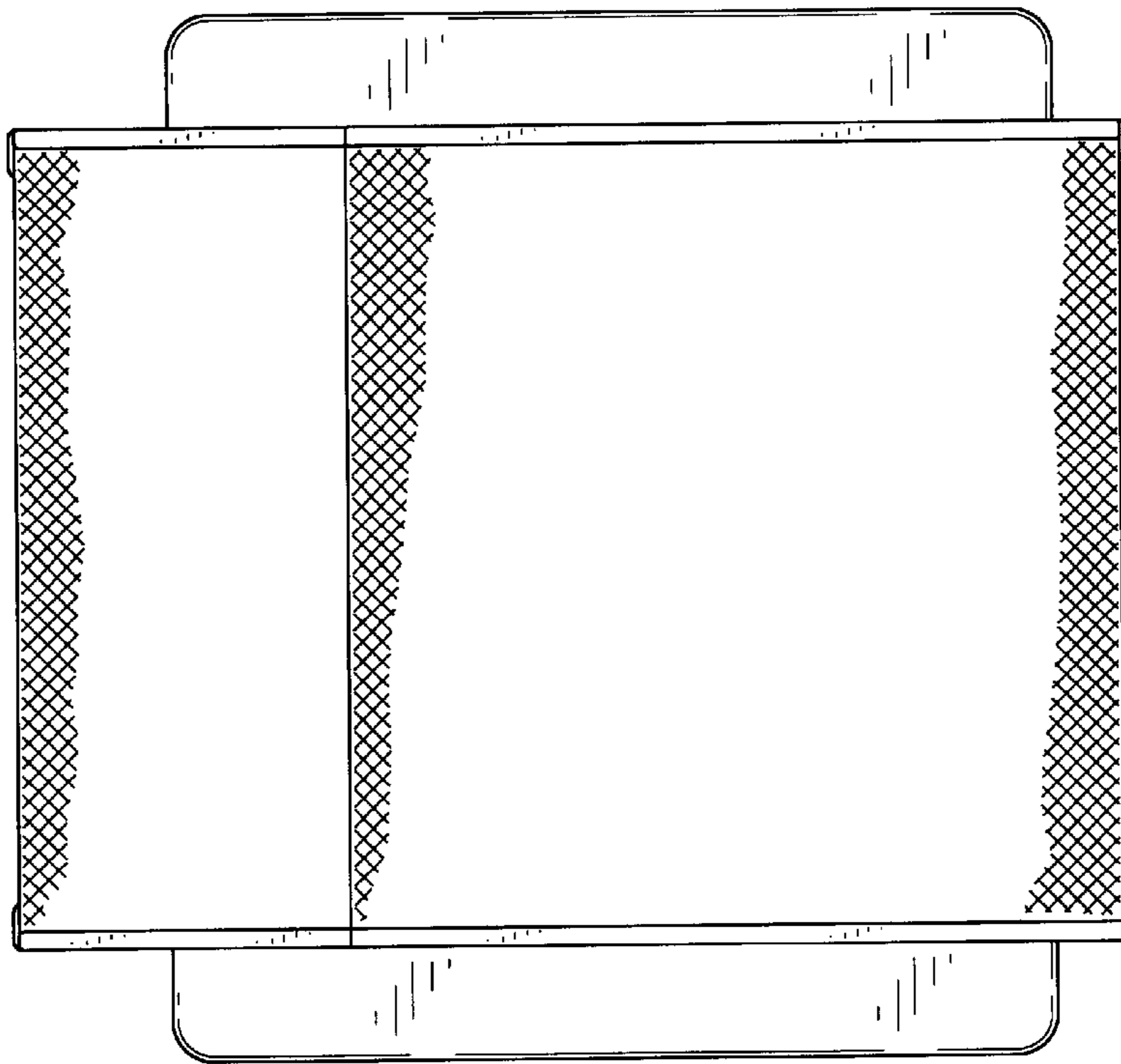


FIG. 3

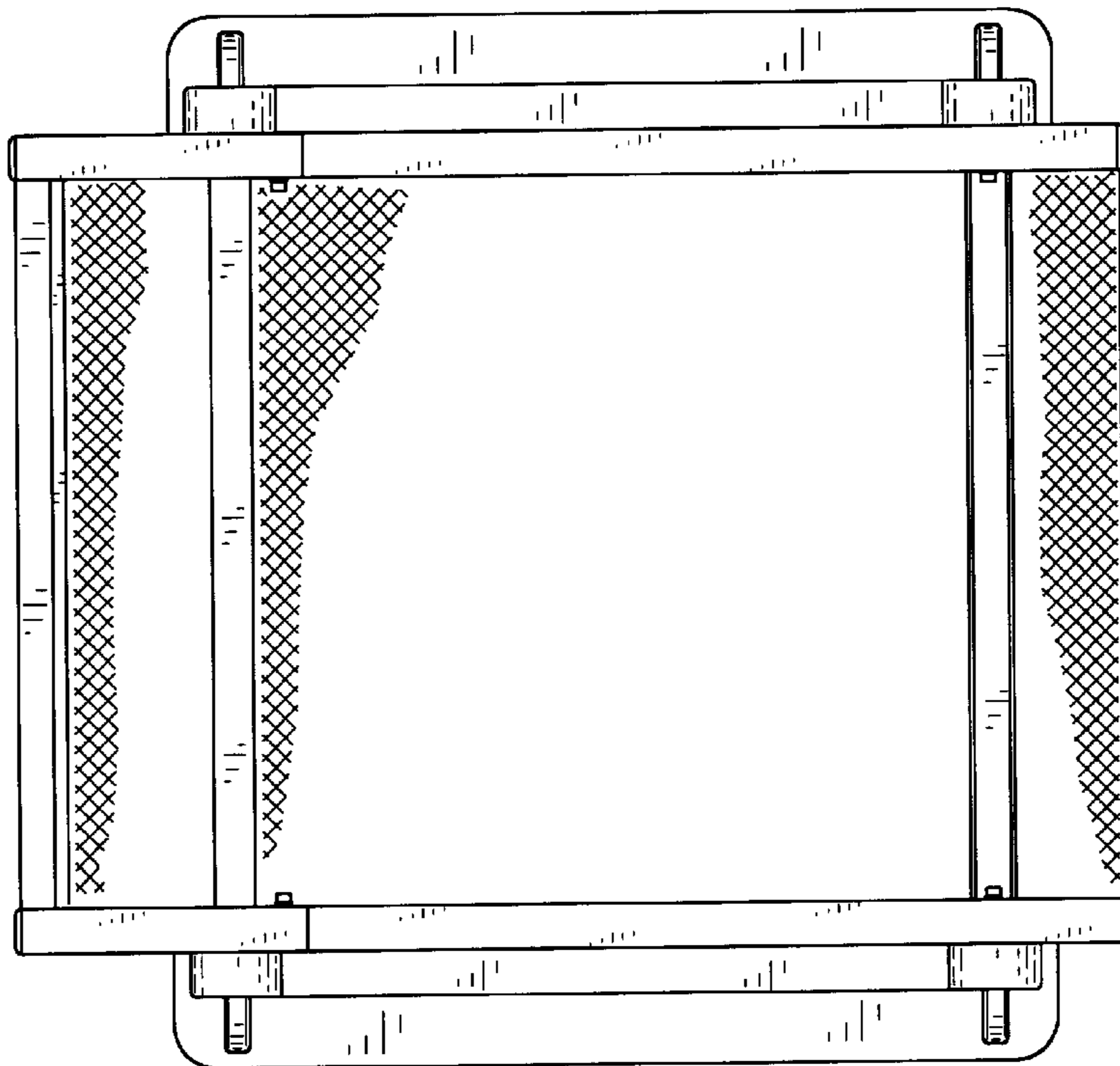


FIG. 4

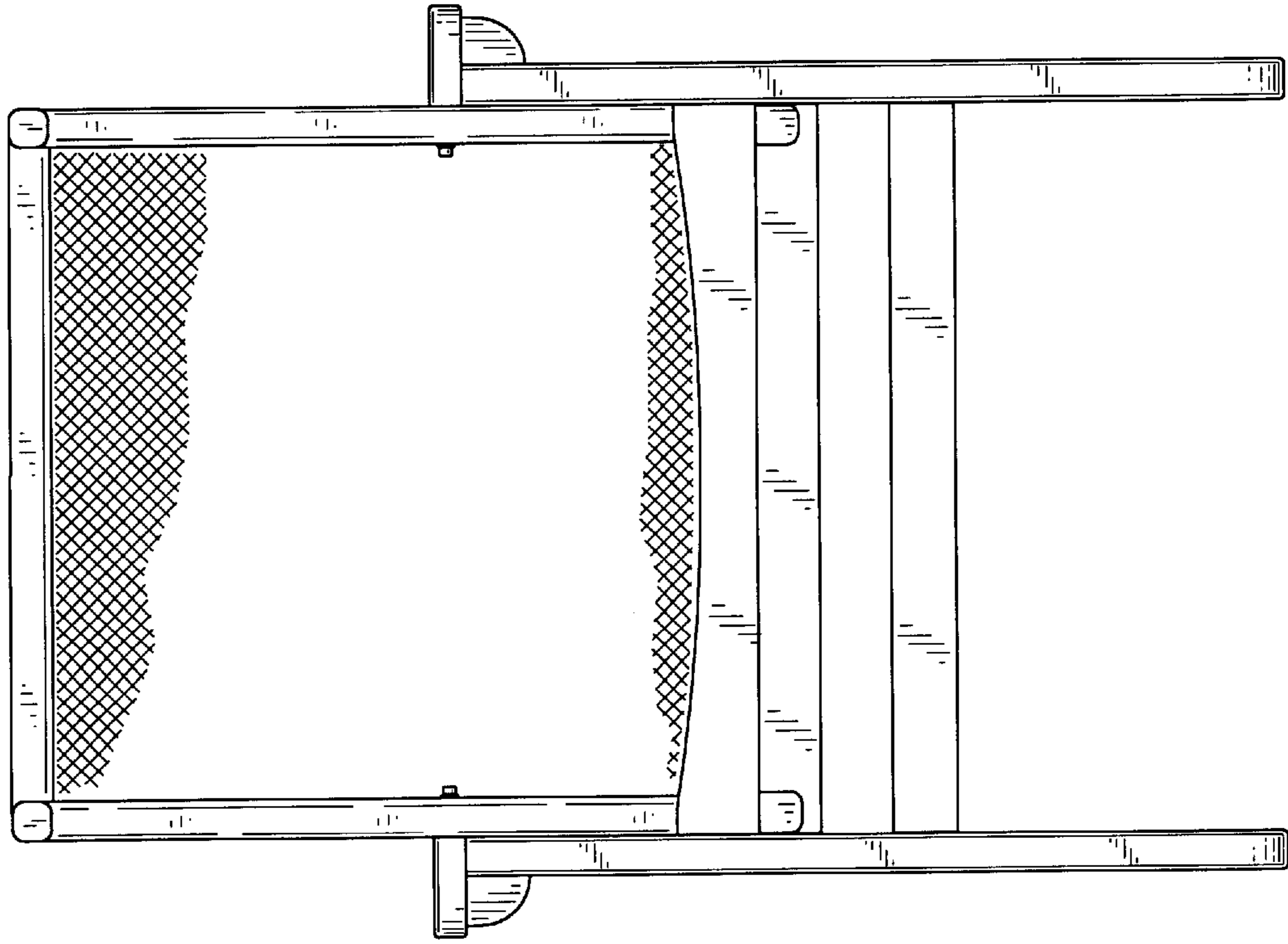


FIG. 5

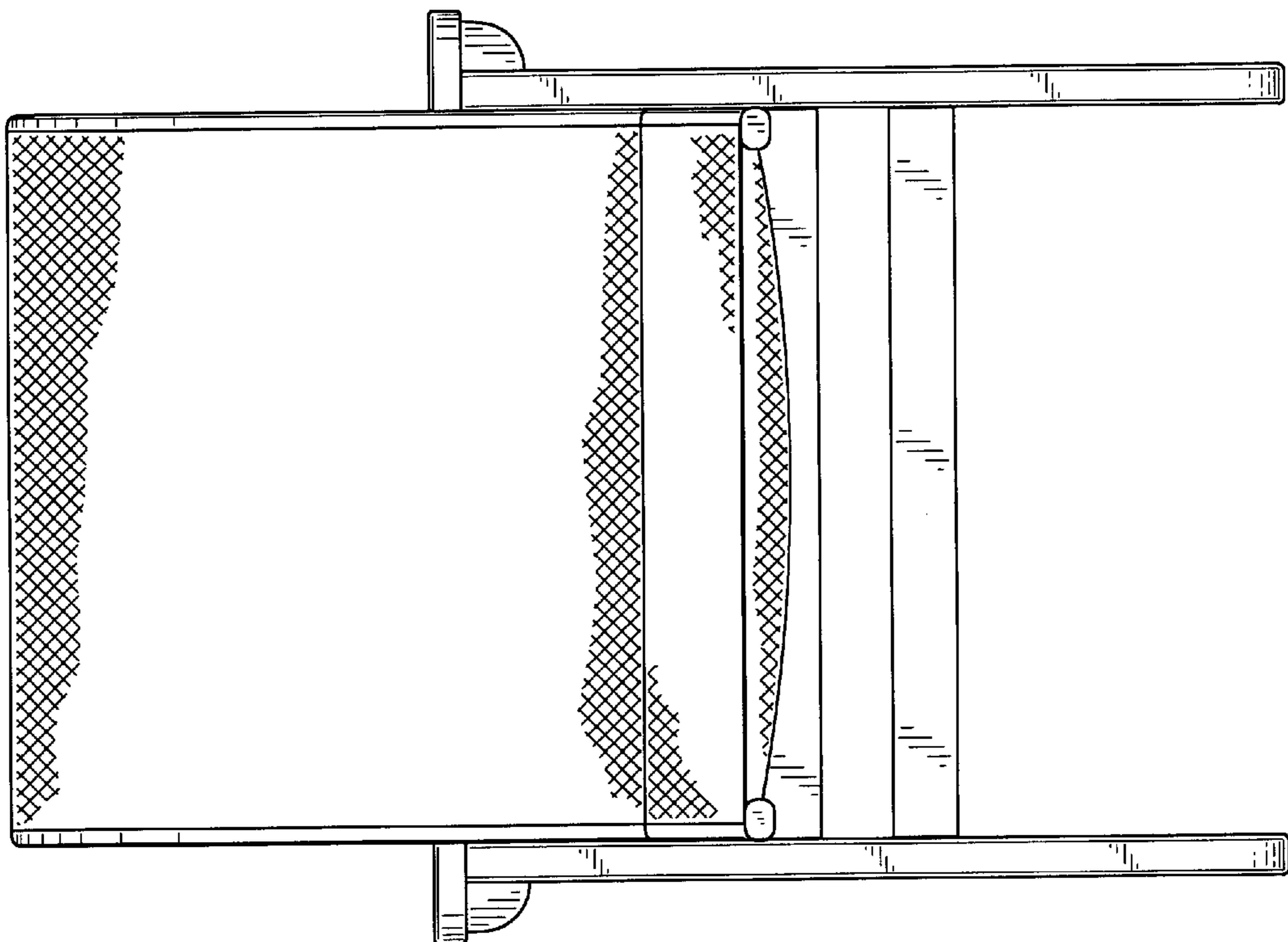


FIG. 6