



US00D448192B1

(12) **United States Design Patent** (10) Patent No.: **US D448,192 S**
Kane (45) Date of Patent: **** Sep. 25, 2001**

- (54) SEAT
- (75) Inventor: **Brian J. Kane**, San Francisco, CA (US)
- (73) Assignee: **Landscape Forms, Inc.**, Kalamazoo, MI (US)
- (**) Term: **14 Years**
- (21) Appl. No.: **29/116,727**
- (22) Filed: **Jan. 10, 2000**
- (51) LOC (7) Cl. **06-01**
- (52) U.S. Cl. **D6/375; D6/379; D6/381**
- (58) Field of Search D6/334, 335, 348, D6/360, 368, 369, 370, 373, 374, 375, 376, 379, 380, 381, 499, 500, 501, 502; 297/232, 445.1, 446.1, 448.1, 452.63, 452.64

- (56) **References Cited**
- U.S. PATENT DOCUMENTS**
- D. 211,171 * 5/1968 Blier D6/379
 - D. 235,495 * 6/1975 Laylon D6/374
 - D. 236,047 * 7/1975 Hoshall D6/379
 - D. 236,394 * 8/1975 Hoshall D6/379
 - D. 333,042 * 2/1993 Komai et al. D6/370
 - D. 339,247 * 9/1993 Grosfillex D6/334
 - D. 341,728 * 11/1993 Grosfillex D6/334
 - D. 345,869 * 4/1994 Grosfillex D6/334
 - 6,199,950 * 3/2001 Noll 297/452.63

OTHER PUBLICATIONS

Chair and chair units identified as 66501, 66532, 66401, -TE66400/66401-TE and 66501/66532-TE in Fixtures Furniture Price List Workbook, p. 87, Jan. 1991.*

Chair illustrated in Wabash Valley catalog, p. 56, 1998.*

Chair illustrated in Brown Jordan catalog, p. 2, 1986.*

Sweet's General Building & Renovation Catalog, BuyLine 5466, TimberForm Site Complements, Columbia Cascade 1975 S.W. Fifth Avenue, Portland, OR 97201, 1996 (3pp.). Manhattan Side Chair, Metro, 1987 (1 pg.).

* cited by examiner

Primary Examiner—Doris V. Coles
Assistant Examiner—Elizabeth A. Albert
(74) *Attorney, Agent, or Firm*—Heslin Rothenberg Farley & Mesiti P.C.

(57) **CLAIM**

The ornamental design for a seat, as shown and described.

DESCRIPTION

This application is related to commonly owned, concurrently filed applications Ser. No. 29/116,725 and Ser. No. 29/116,726.

FIG. 1 is an isometric view of the seat of my new design; FIG. 2 is a top plan view thereof; FIG. 3 is a front elevational view thereof; FIG. 4 is a back elevational view thereof; FIG. 5 is a left side elevational view thereof; FIG. 6 is a right side elevational view thereof; FIG. 7 is an isometric view of a first embodiment of the seat of my design; FIG. 8 is an isometric view of a second embodiment of the seat of my design; FIG. 9 is a back elevational view of the second embodiment; and, FIG. 10 is an isometric view of a fourth embodiment of the seat of my new design.

The broken line showing in the drawing figures is for illustrative purposes only and forms no part of the claimed design.

1 Claim, 7 Drawing Sheets

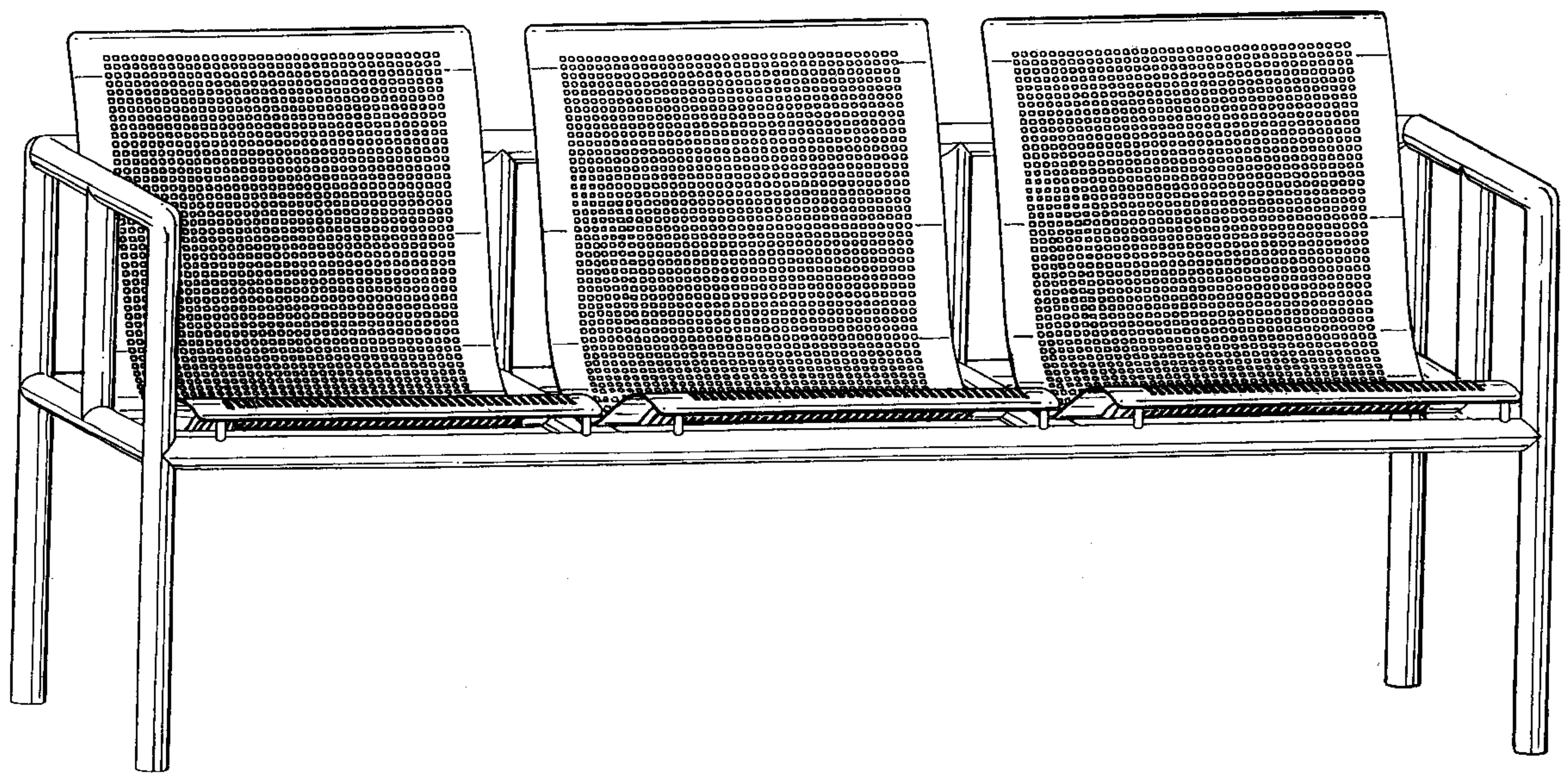


FIG. 2

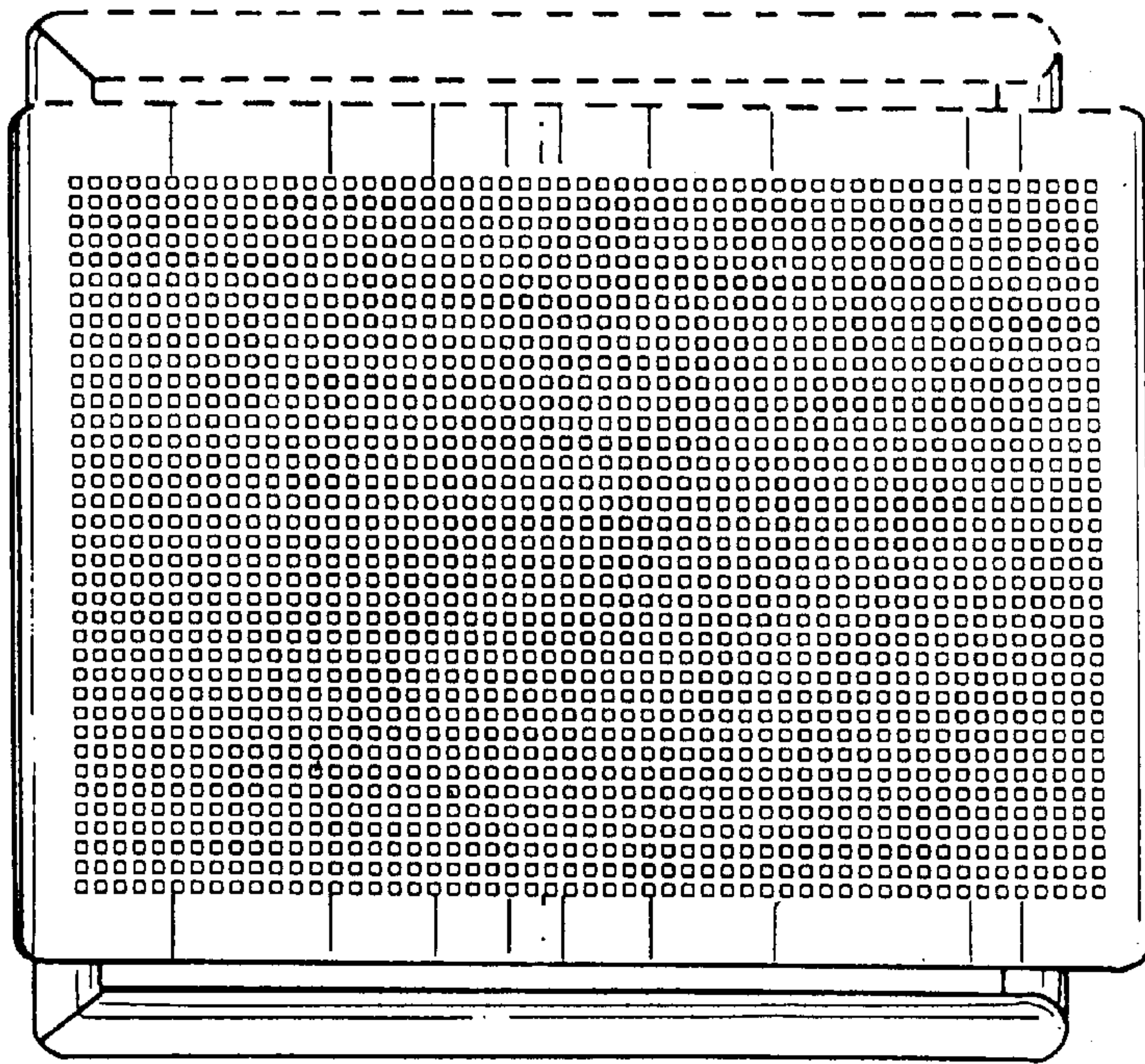


FIG. 1

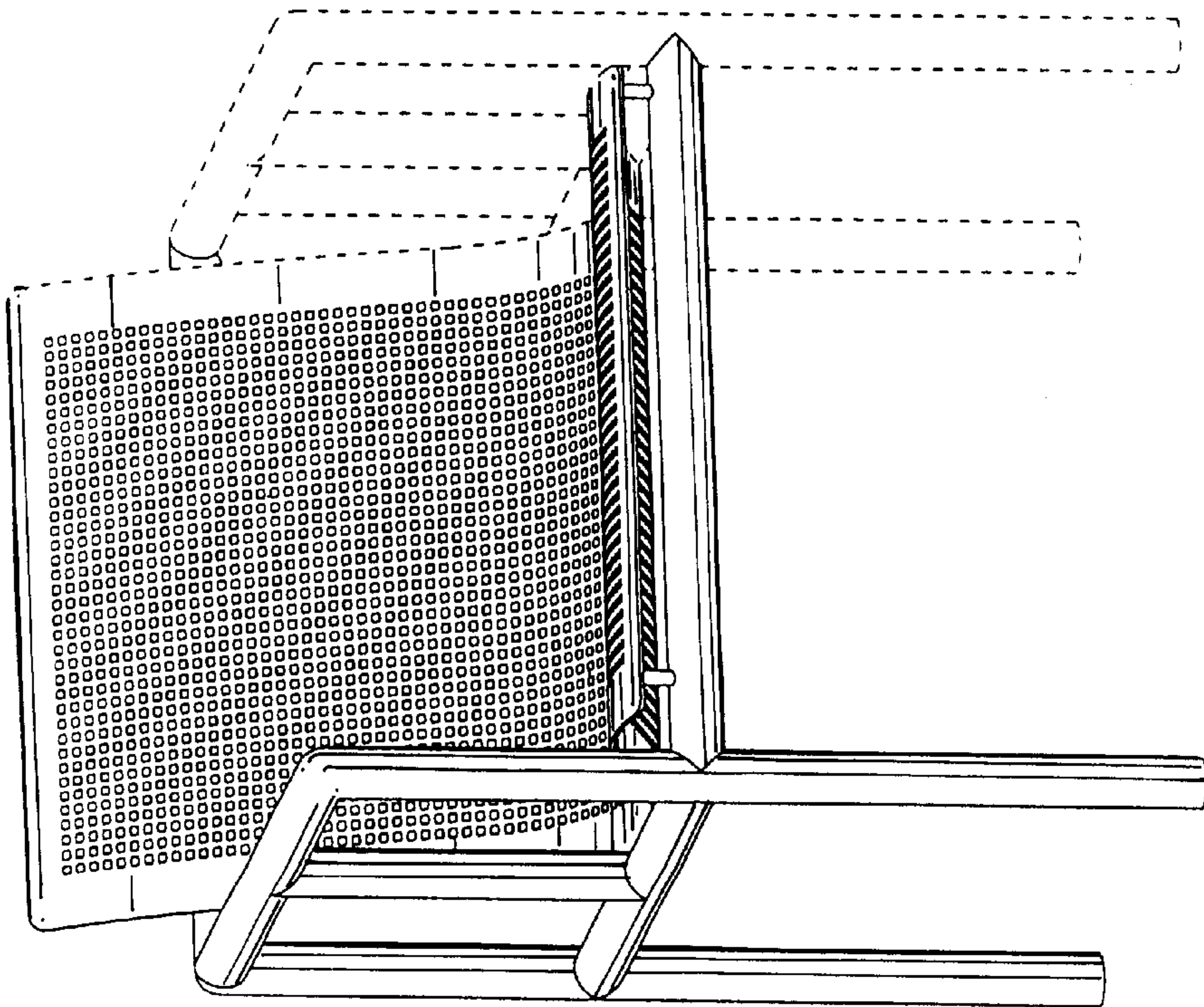


FIG. 4

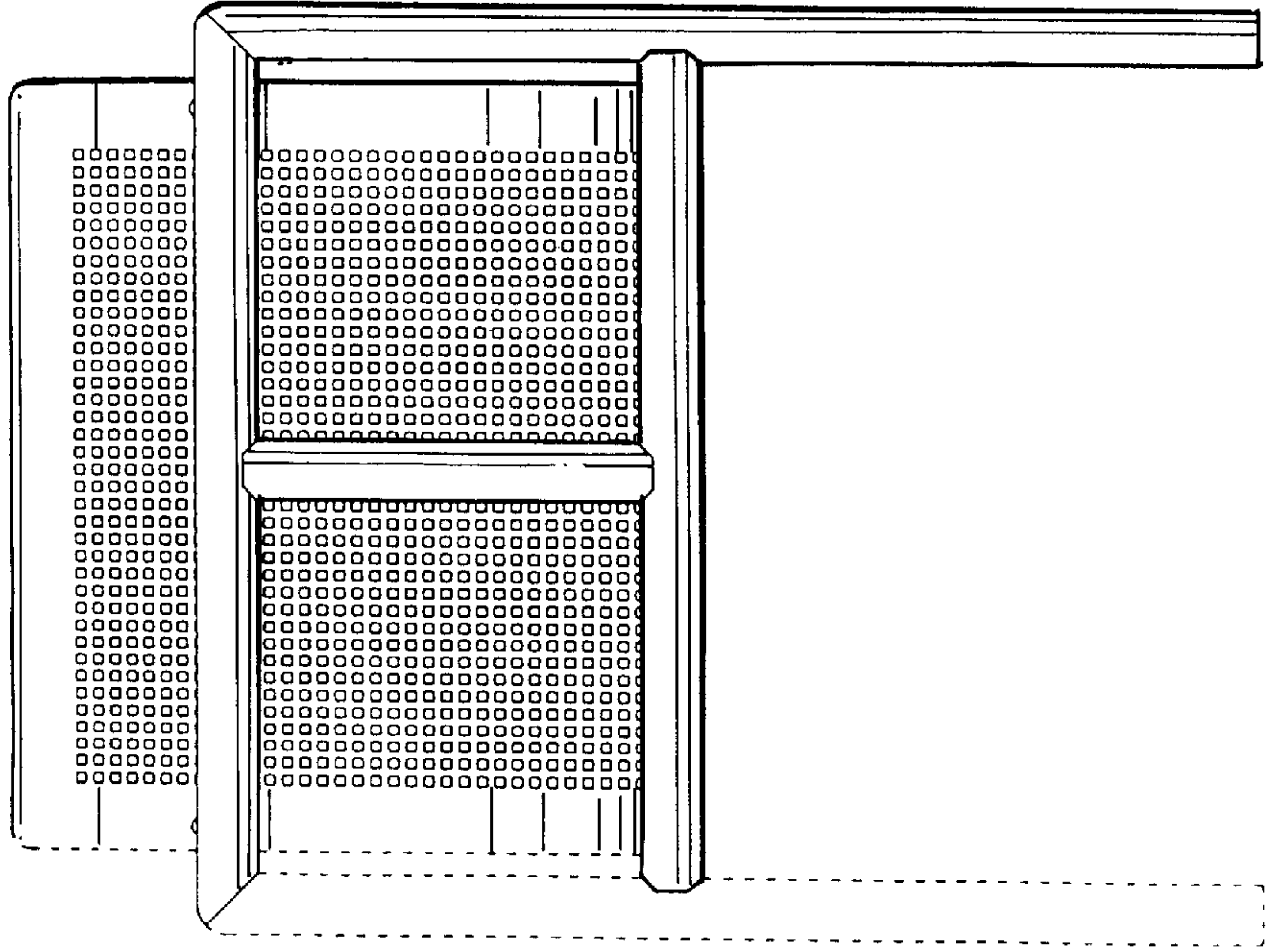


FIG. 3

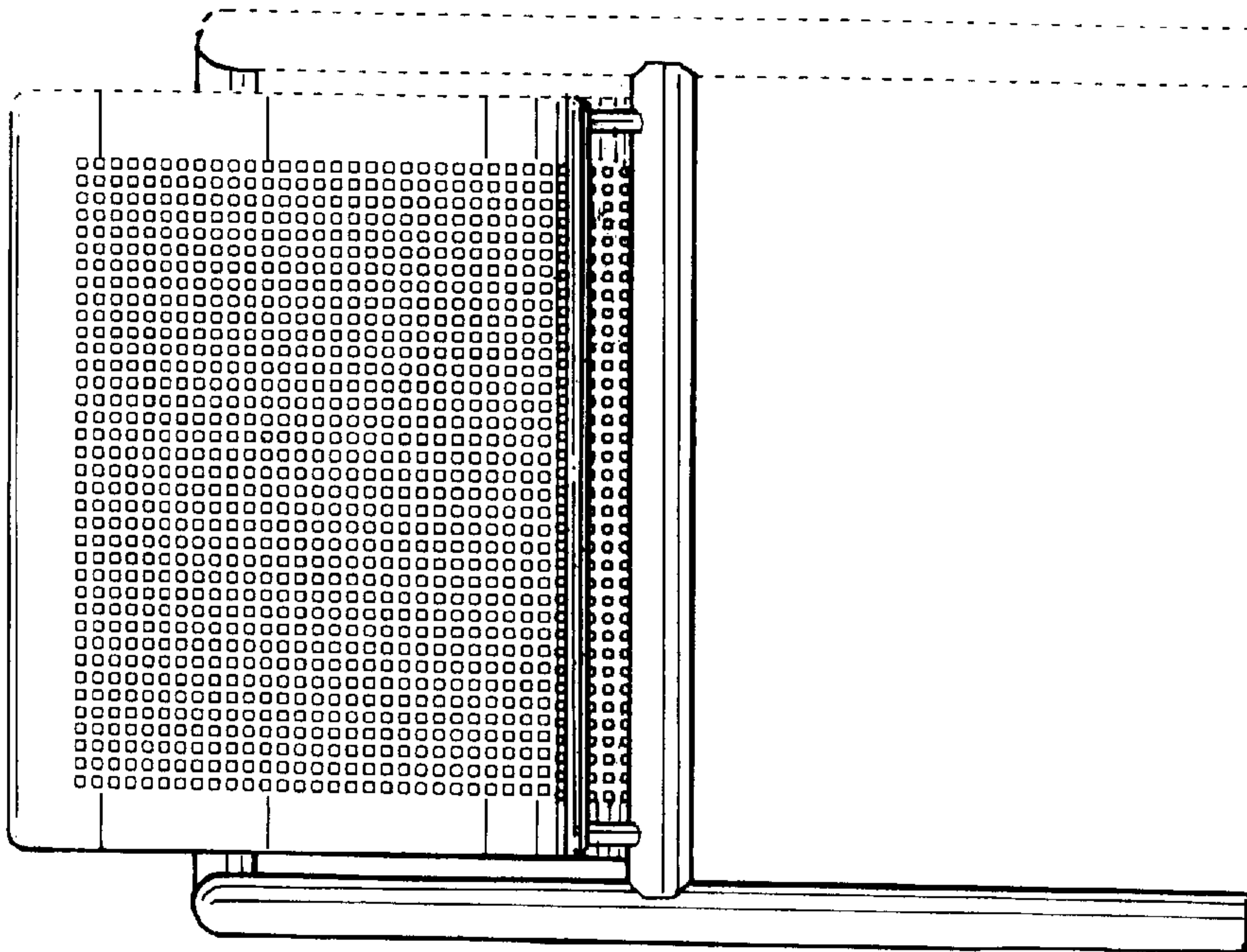


FIG. 6

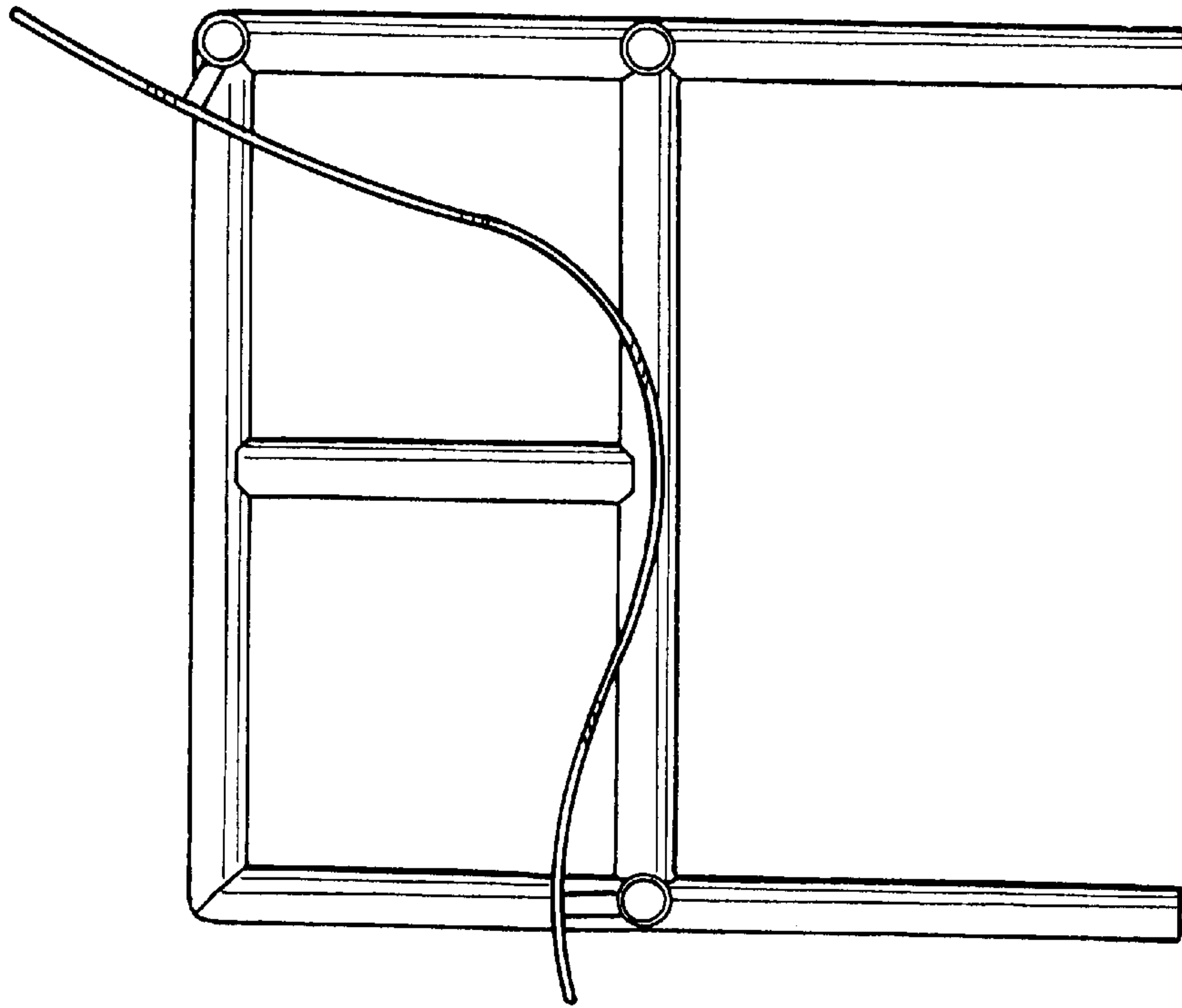
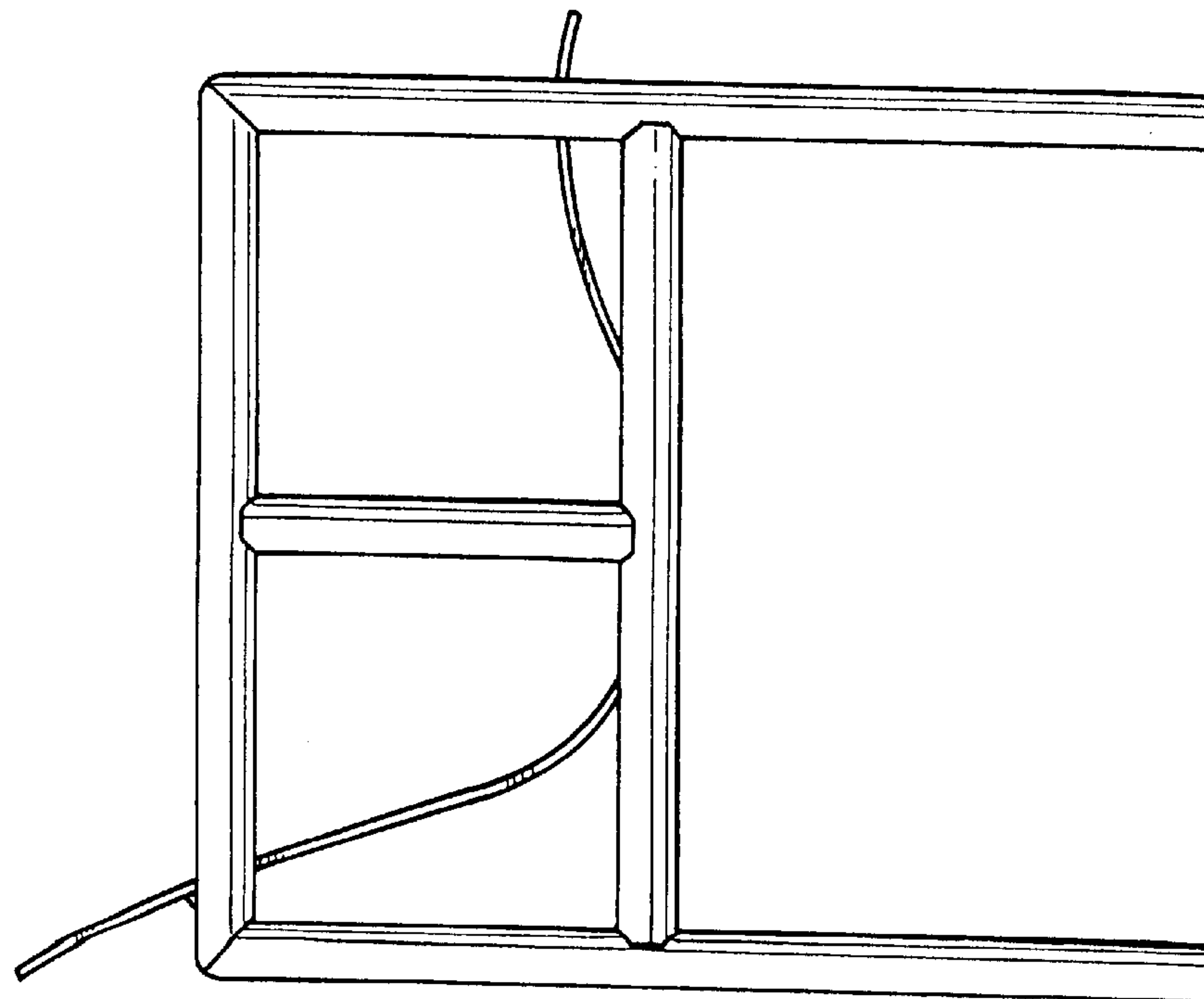


FIG. 5



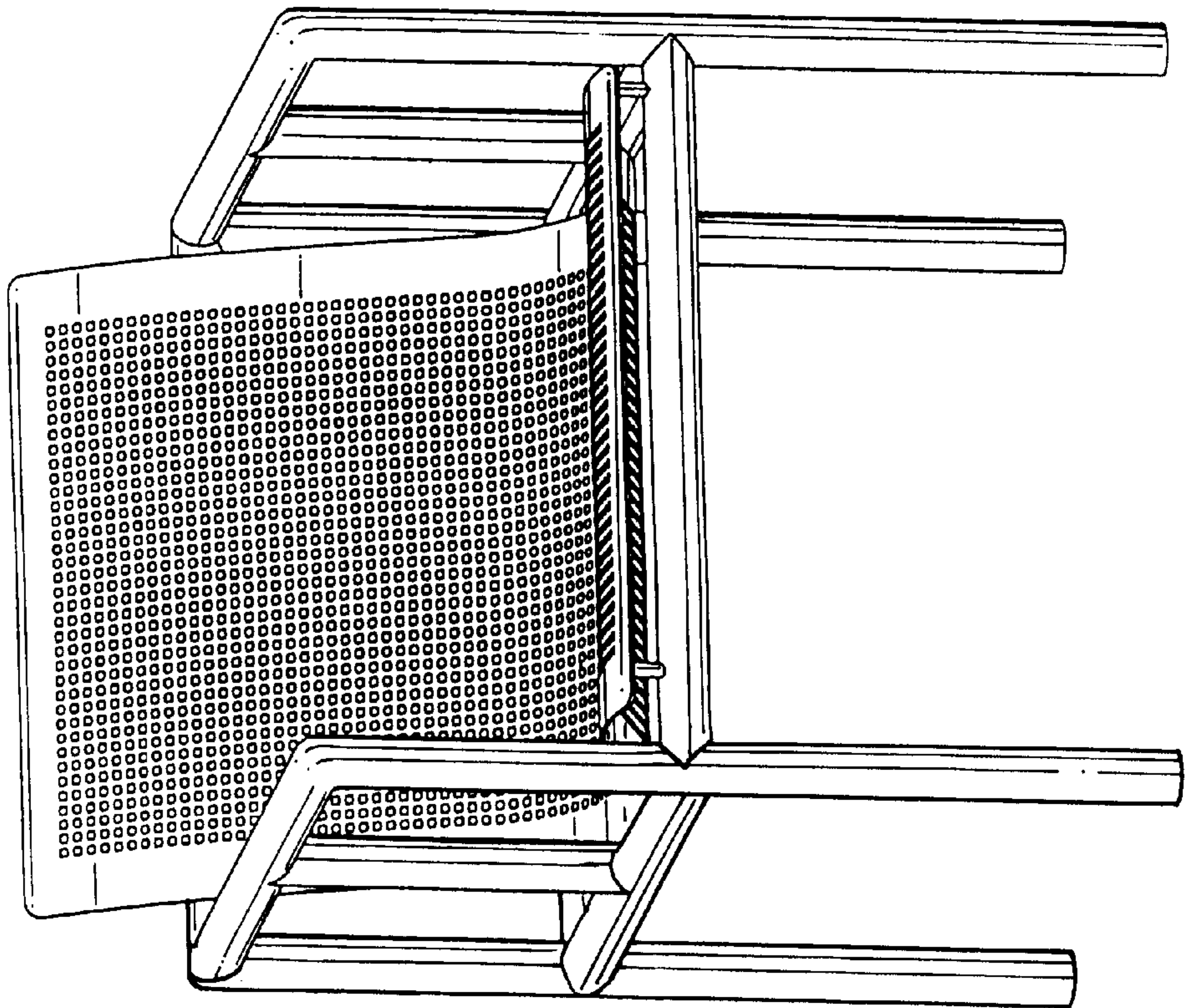


FIG. 7

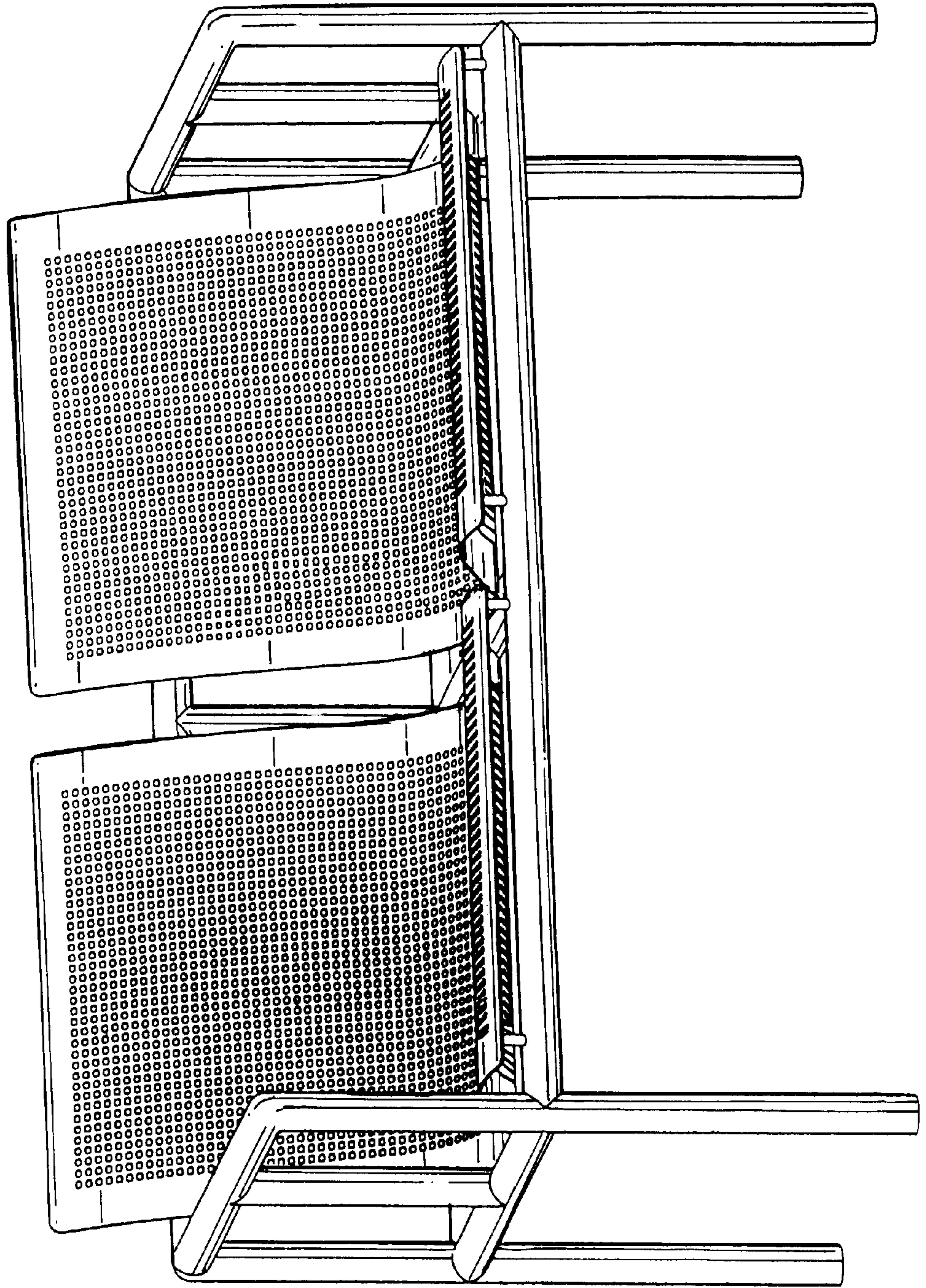
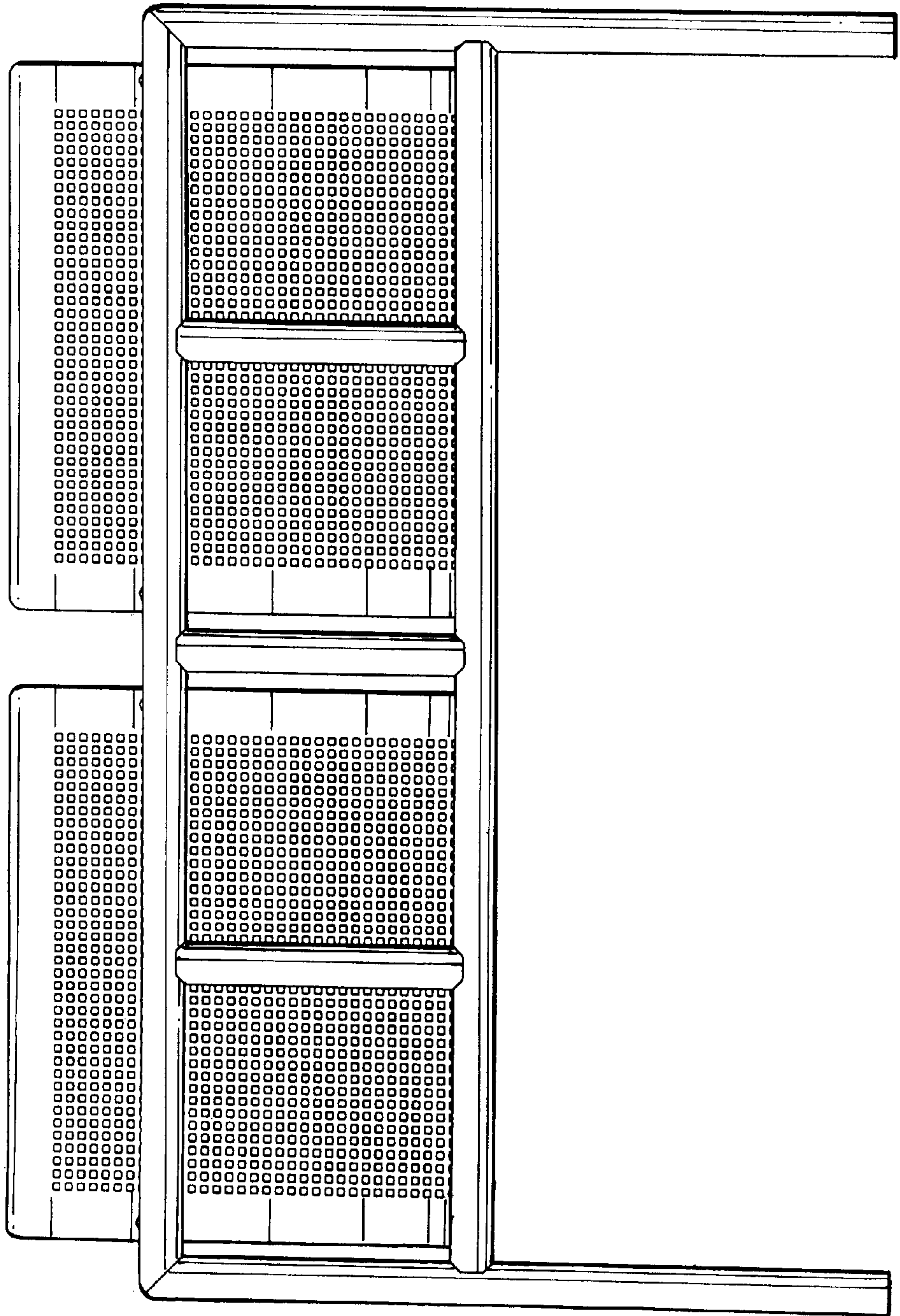


FIG. 8

FIG. 9



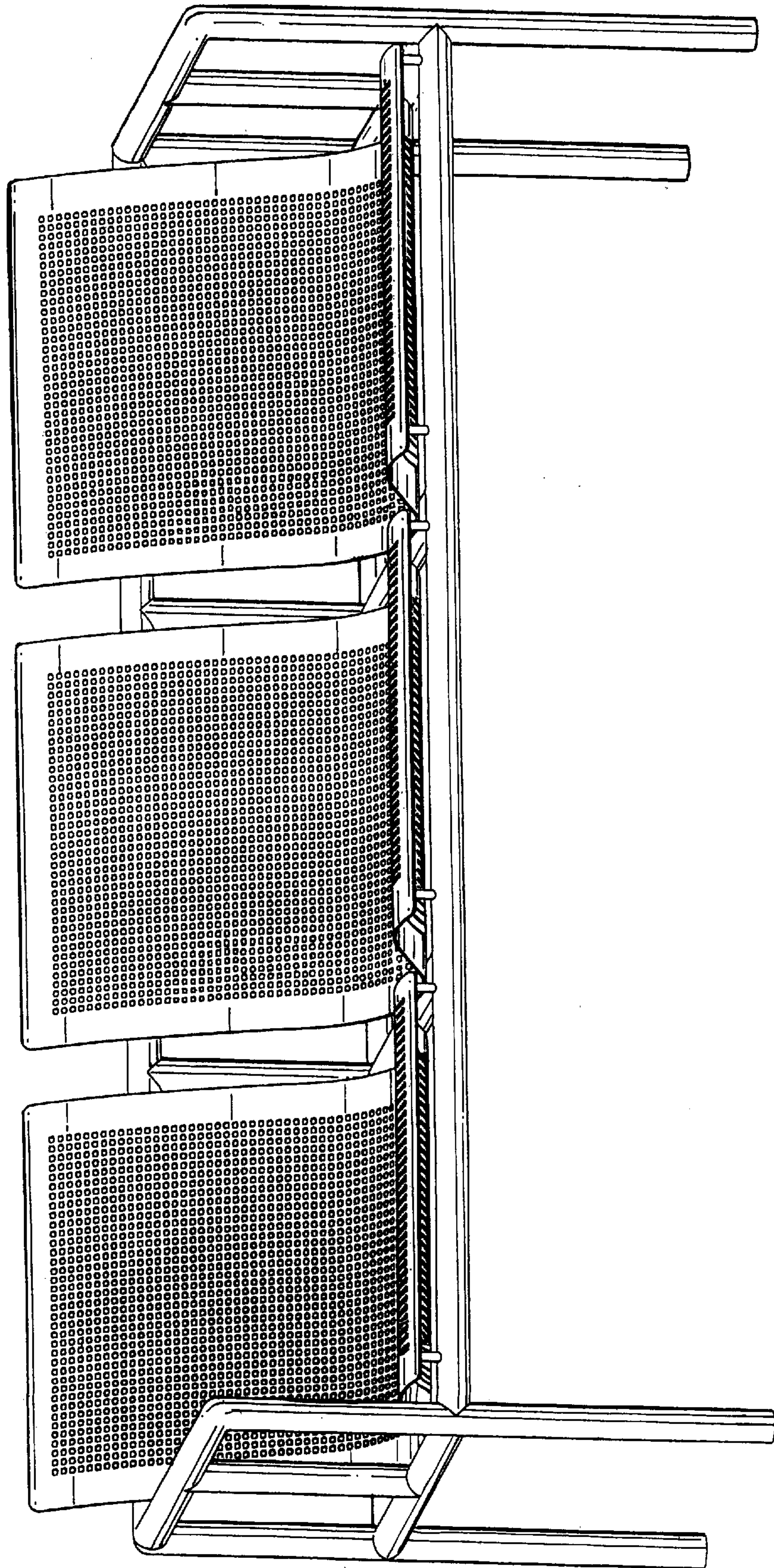


FIG. 10